



US00D809935S

(12) **United States Design Patent** (10) **Patent No.:** **US D809,935 S**
Weiss (45) **Date of Patent:** **** Feb. 13, 2018**

(54) **STACKABLE SLIDER BOTTLE**
(71) Applicant: **DRINK BLOCKS, LLC**, Ladera Ranch, CA (US)
(72) Inventor: **Tom Weiss**, Ladera Ranch, CA (US)
(**) Term: **15 Years**
(21) Appl. No.: **29/562,142**
(22) Filed: **Apr. 22, 2016**
(51) **LOC (11) Cl.** **09-01**
(52) **U.S. Cl.**
USPC **D9/743; D9/566; D9/745; D7/509; D7/515; D7/510**
(58) **Field of Classification Search**
USPC D9/564, 566, 570, 573, 743, 745, 636; D7/509–511, 515; D21/471, 484, 486, D21/487, 500; D25/113–116, 118; 446/69, 71, 85, 102–128; 434/208, 259, 434/403; 273/153 R, 156, 160
CPC B65D 21/0204; B65D 81/361; B65D 2501/0081; B65C 21/023; A63H 33/082; B65F 1/0053; E04B 2/08
See application file for complete search history.

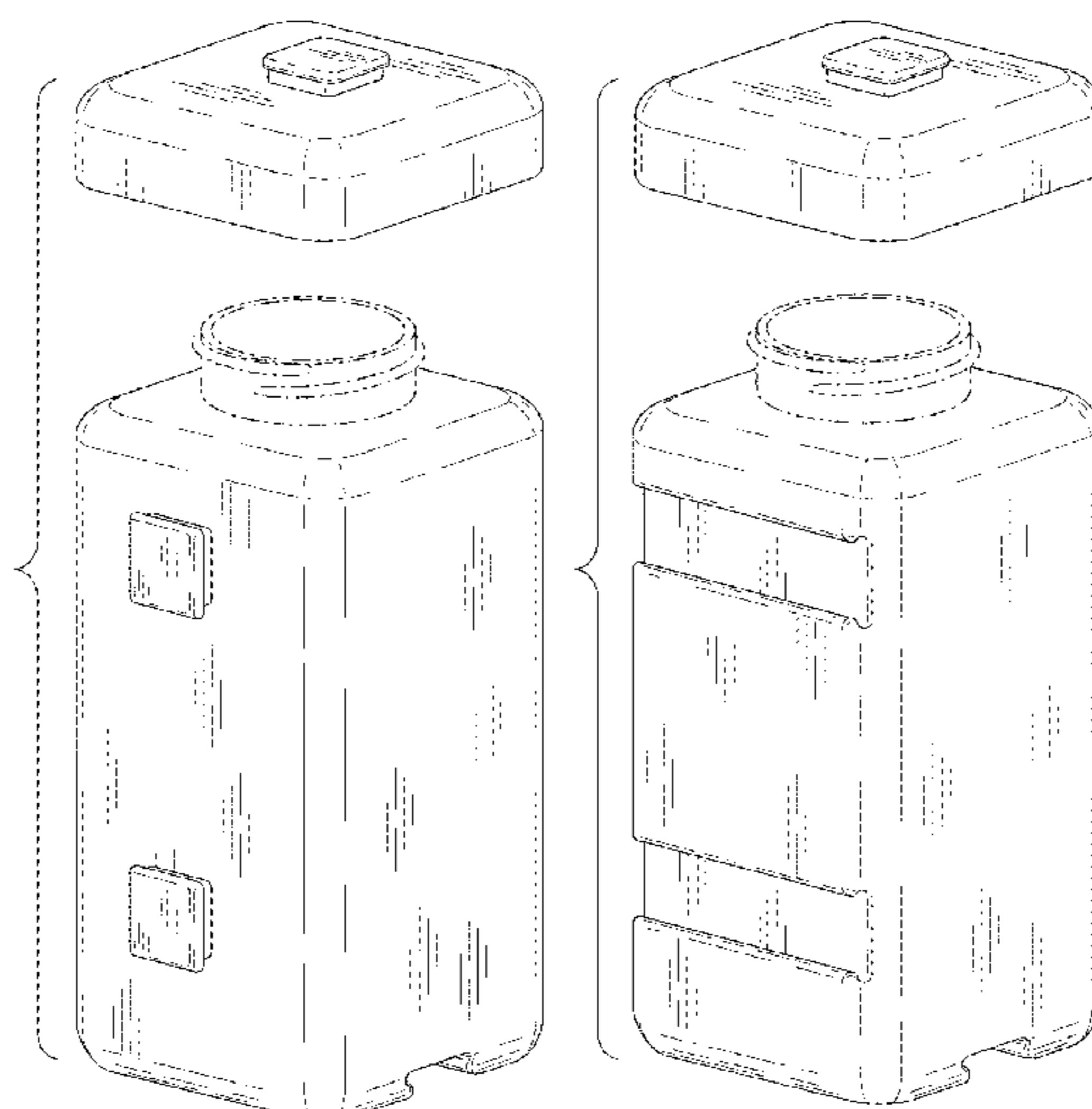
(56) **References Cited**
U.S. PATENT DOCUMENTS
3,194,426 A * 7/1965 Brown, Jr. B65D 21/0204 220/23.4
D221,092 S * 7/1971 Daenen D21/500
(Continued)

OTHER PUBLICATIONS
Drink Blocks—12 Pack—Orange, available Jun. 22, 2015, [online], [site visited Sep. 25, 2017]. Available from internet, <URL: <https://www.amazon.com/Drink-Blocks-12-Pack-Orange/dp/B00XSBSTRO> (Year: 2015).*

Primary Examiner — Cathron C Brooks
Assistant Examiner — W. A. Teddy Falloway
(74) *Attorney, Agent, or Firm* — David Duckworth
(57) **CLAIM**
The ornamental design for a stackable slider bottle, as shown and described.

DESCRIPTION
FIG. 1 is an exploded top, front, right perspective view of the stackable slider bottle of my design;
FIG. 2 is an exploded top, rear, left perspective view thereof;
FIG. 3 is an exploded bottom, front, right perspective view thereof;
FIG. 4 is an exploded front elevation view thereof;
FIG. 5 is an exploded rear elevation view thereof;
FIG. 6 is an exploded left elevation view thereof;
FIG. 7 is an exploded right elevation view thereof;
FIG. 8 is a top plan view thereof;
FIG. 9 is a bottom plan view thereof;
FIG. 10 is a top, front, right perspective view of the stackable slider bottle with cap installed;
FIG. 11 is a top, rear, left perspective view thereof;
FIG. 12 is a bottom, front, right perspective view thereof;
FIG. 13 is a front elevation view thereof;
FIG. 14 is a rear elevation view thereof;
FIG. 15 is a left elevation view thereof;
FIG. 16 is a right elevation view thereof;
FIG. 17 is a top plan view thereof;
FIG. 18 is a bottom plan view thereof;
FIG. 19 is a perspective view thereof, shown in a stacked configuration with environment;
FIG. 20 is a left elevation view thereof, shown in a stacked configuration with environment; and,
FIG. 21 is a left elevation view of the stackable slider bottle wherein the bottle's cap has been removed from the bottle's top and affixed to the bottle's rear side.
The dash-dot broken-lines illustrate portions of the stackable slider bottle. The dash-dash broken lines shown in FIGS. 19 and 20 represent environment. The broken lines form no part of the claimed design.

1 Claim, 8 Drawing Sheets



(56)

References Cited

U.S. PATENT DOCUMENTS

D252,497 S * 7/1979 Courreges D9/570
 4,308,955 A * 1/1982 Schieser B65D 1/0223
 206/509
 4,453,719 A * 6/1984 McKean A63F 9/0098
 273/265
 D282,244 S * 1/1986 Santoiemmo D9/520
 5,002,199 A * 3/1991 Frahm B65D 21/0202
 206/509
 D333,978 S * 3/1993 Zutler D9/566
 D341,781 S * 11/1993 Sanyal D9/516
 5,381,916 A * 1/1995 Strawder B65D 21/0202
 220/212
 D371,281 S * 7/1996 Credle, Jr. D21/500
 D385,184 S * 10/1997 Binter D9/524
 5,736,170 A * 4/1998 Stoner B29C 49/70
 425/522
 D447,944 S * 9/2001 Justice D21/499
 D545,921 S * 7/2007 Sorensen D21/484
 D546,401 S * 7/2007 Sorensen D21/484
 7,516,860 B1 * 4/2009 Fenton B65D 21/0204
 215/10
 7,644,828 B1 * 1/2010 Klein A63H 33/067
 206/509
 D694,643 S * 12/2013 Boisvert D9/454

D699,792 S * 2/2014 Hwang D21/499
 D714,163 S * 9/2014 Weiss D7/509
 D715,159 S * 10/2014 Weiss D7/509
 D715,160 S * 10/2014 Weiss D7/509
 D715,161 S * 10/2014 Weiss D7/509
 D716,152 S * 10/2014 Weiss D7/509
 D716,669 S * 11/2014 Weiss D7/509
 D718,392 S * 11/2014 Weiss D21/500
 D718,393 S * 11/2014 Weiss D21/500
 D718,394 S * 11/2014 Weiss A63H 33/086
 D21/500
 9,290,300 B2 * 3/2016 Hendrickson B65D 23/00
 9,346,585 B2 * 5/2016 Hendrickson B65D 21/0204
 D794,467 S * 8/2017 Hendrickson D9/559
 2004/0116037 A1 * 6/2004 Garpow A63H 33/08
 446/74
 2006/0261063 A1 * 11/2006 Dyehouse B65D 21/0204
 220/23.4
 2007/0114200 A1 * 5/2007 Lane B65D 1/023
 215/10
 2009/0045157 A1 * 2/2009 Panchal B65D 21/0204
 215/10
 2009/0090647 A1 * 4/2009 Panchal B65D 21/0204
 206/504
 2014/0335753 A1 * 11/2014 Weiss B65D 21/0204
 446/71

* cited by examiner

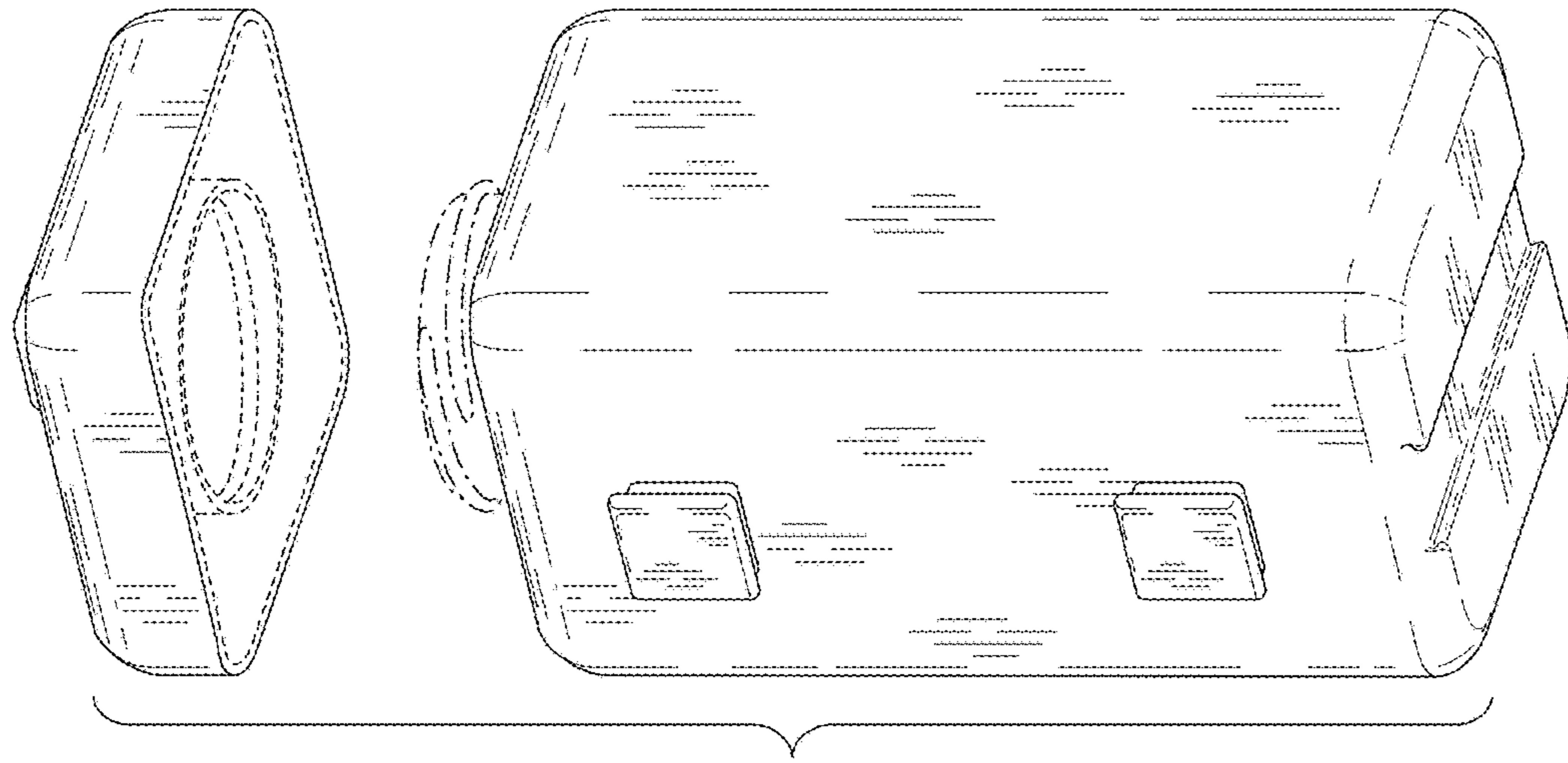


Fig. 3

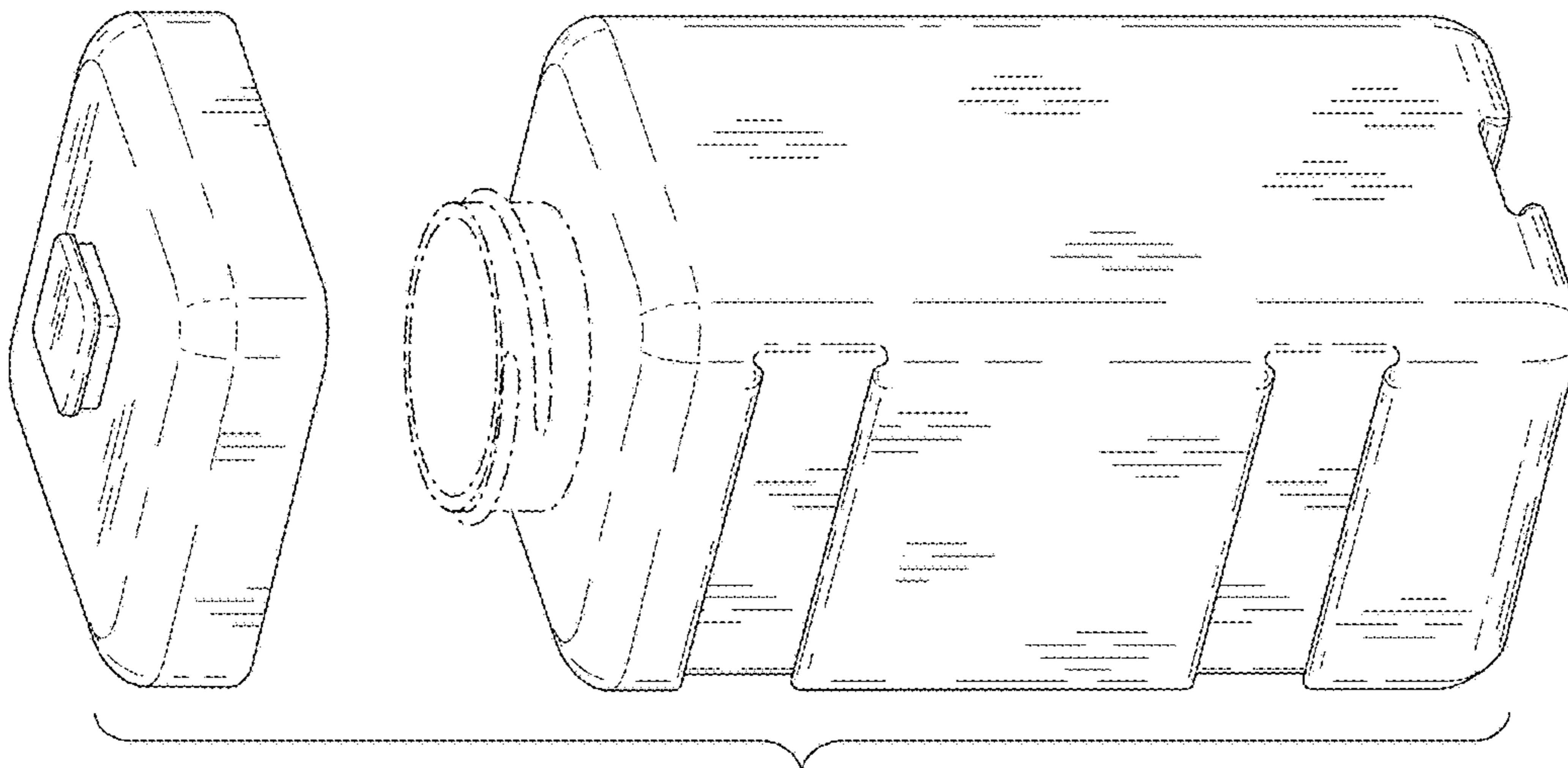


Fig. 2

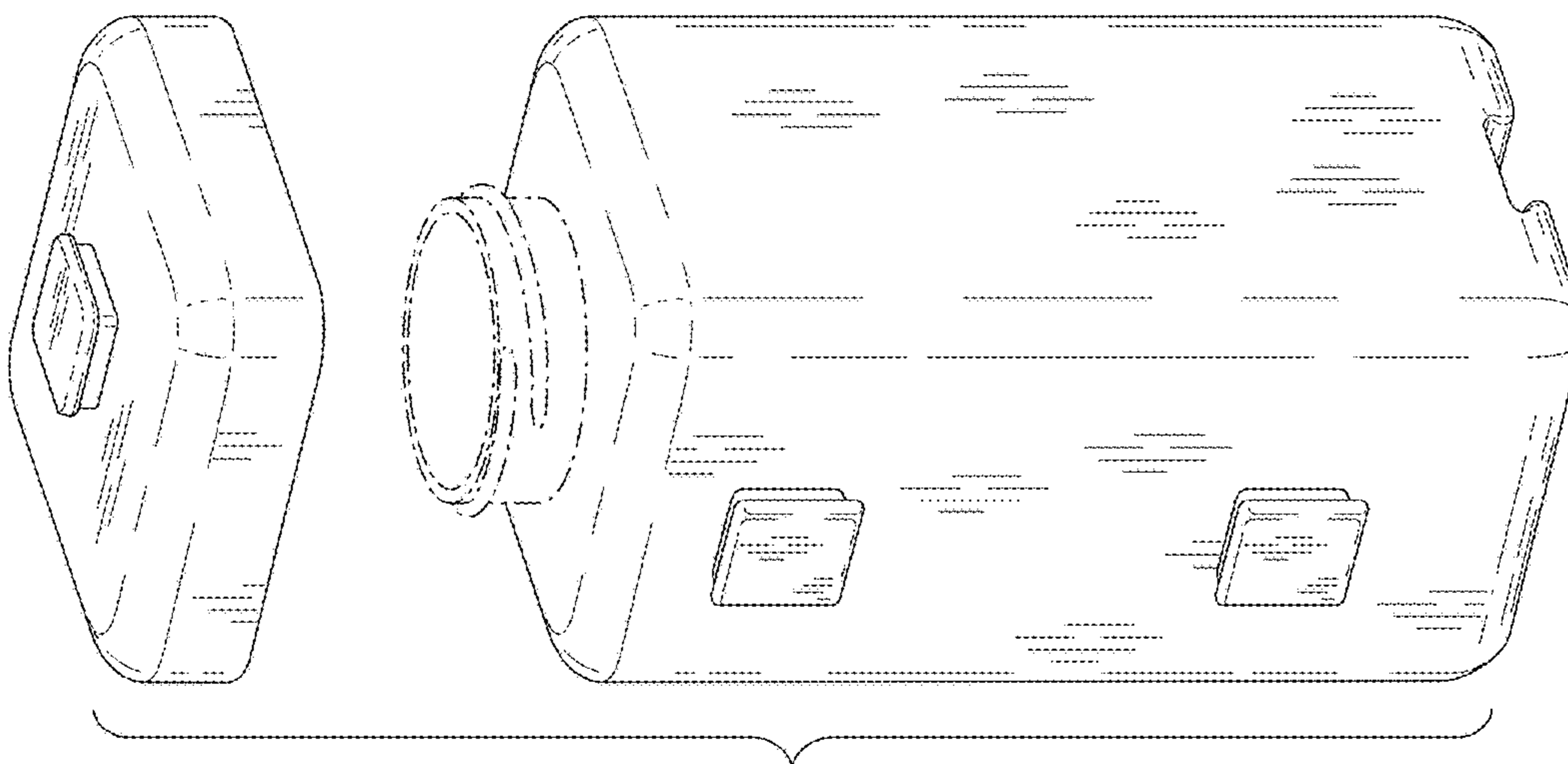


Fig. 1

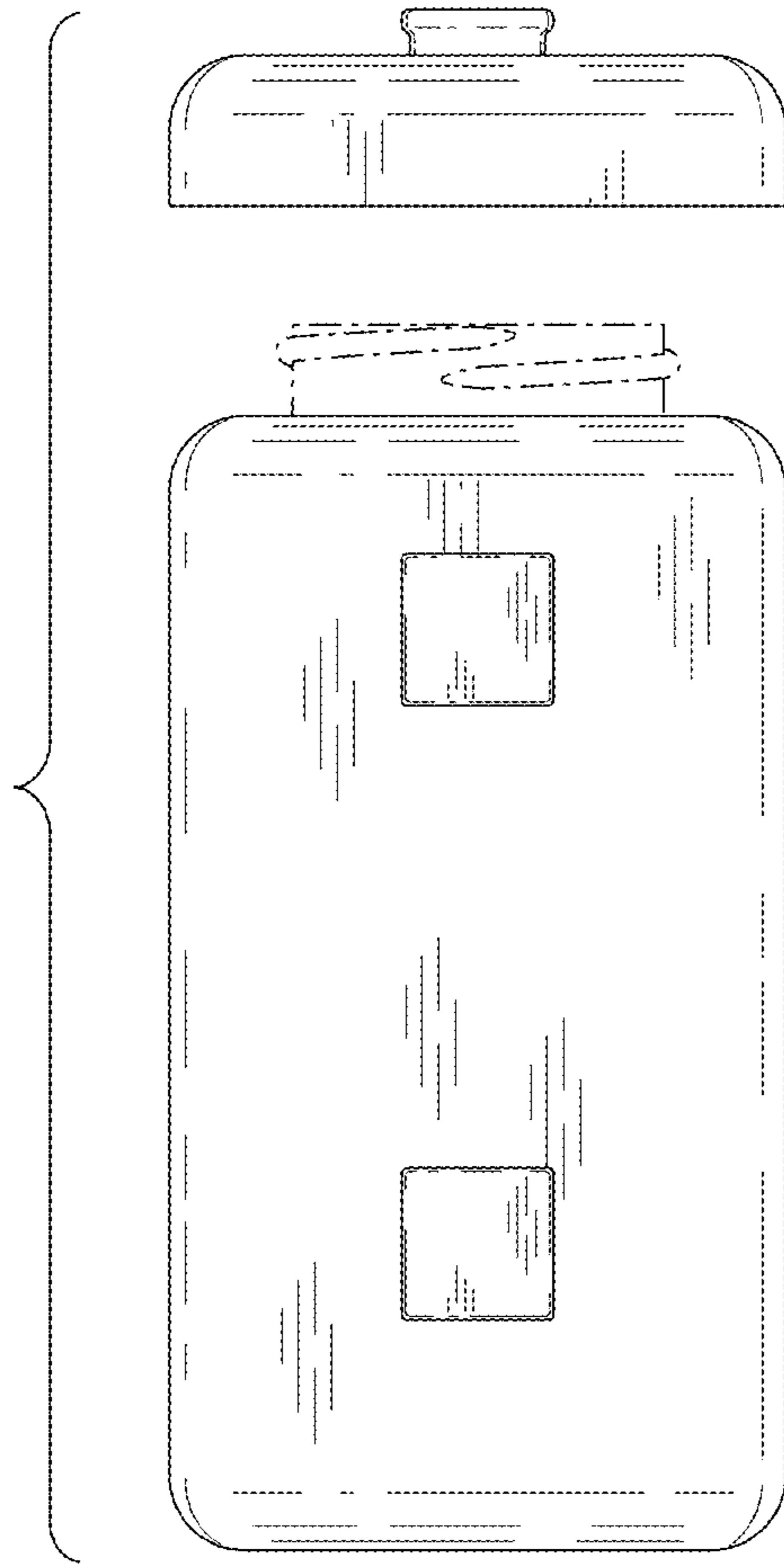


Fig. 4

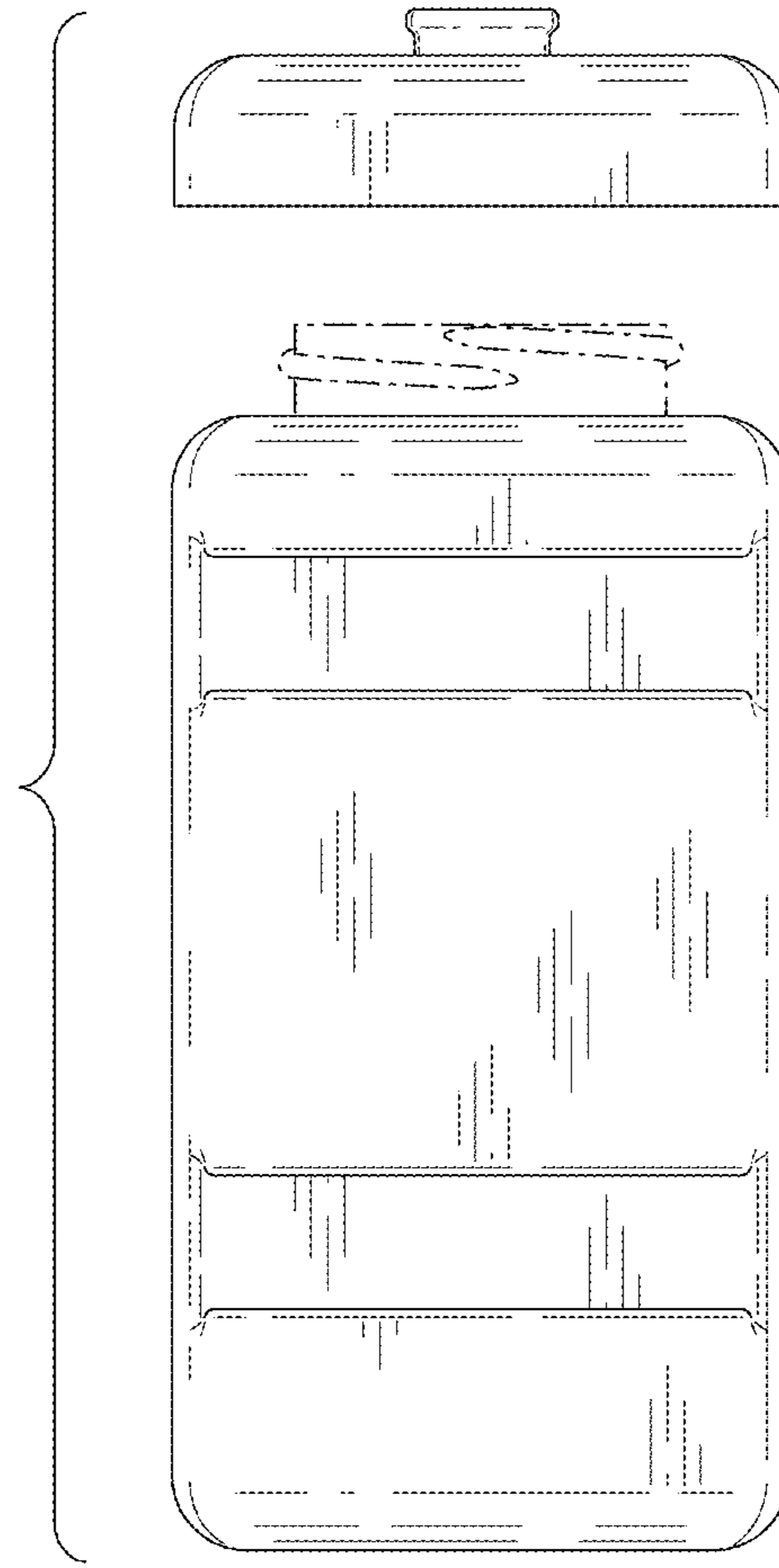


Fig. 5

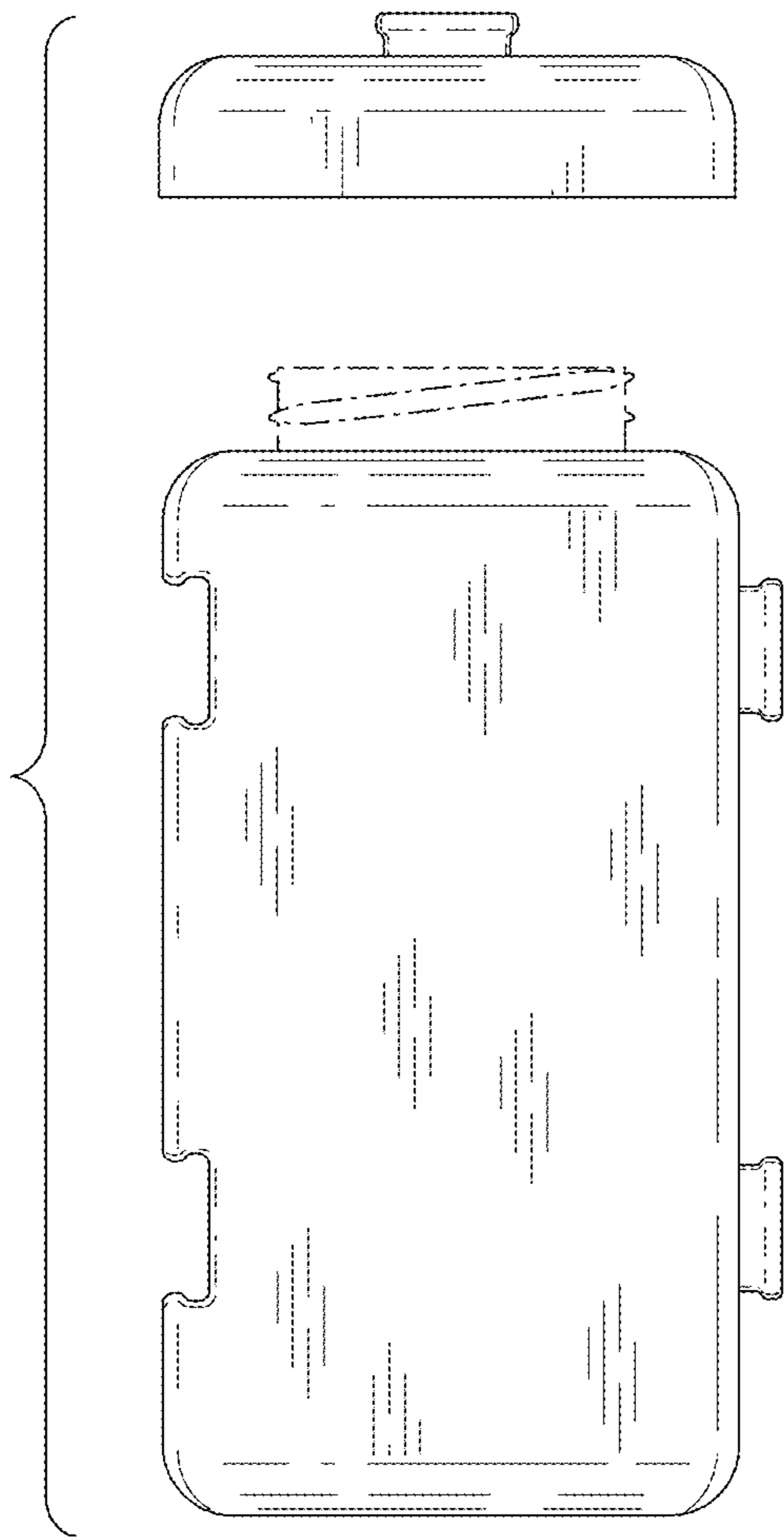


Fig. 6

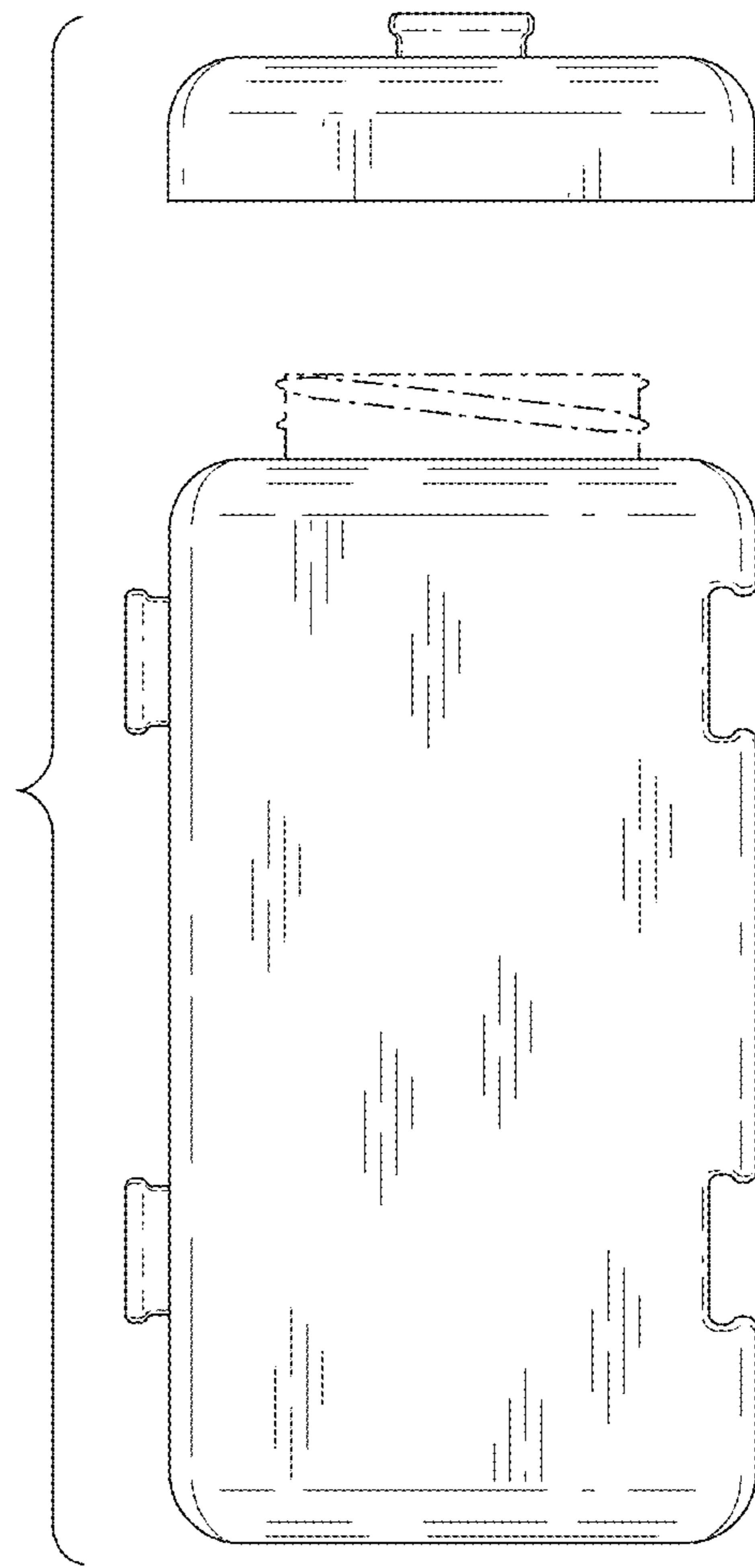


Fig. 7

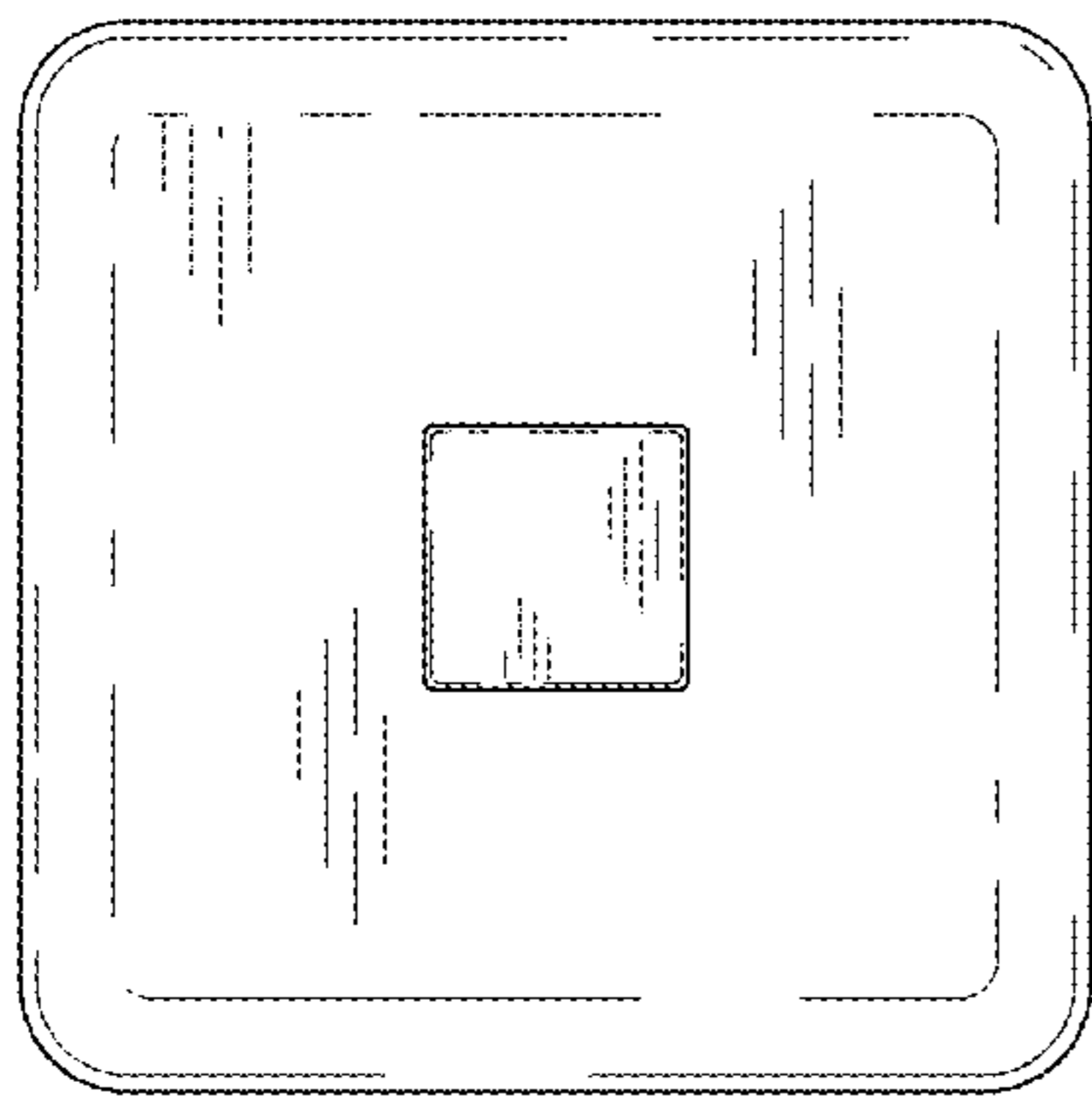


Fig. 8

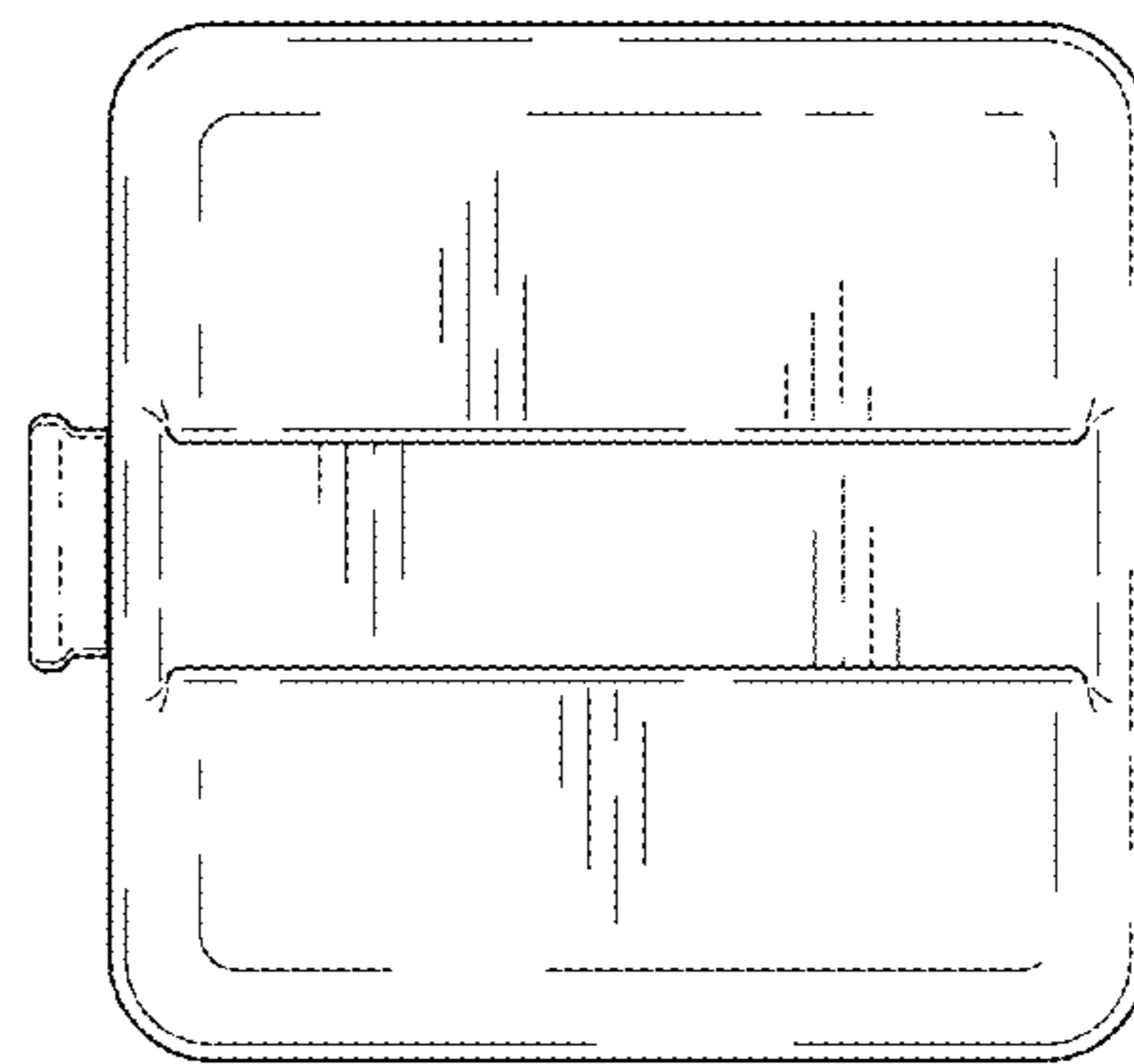


Fig. 9

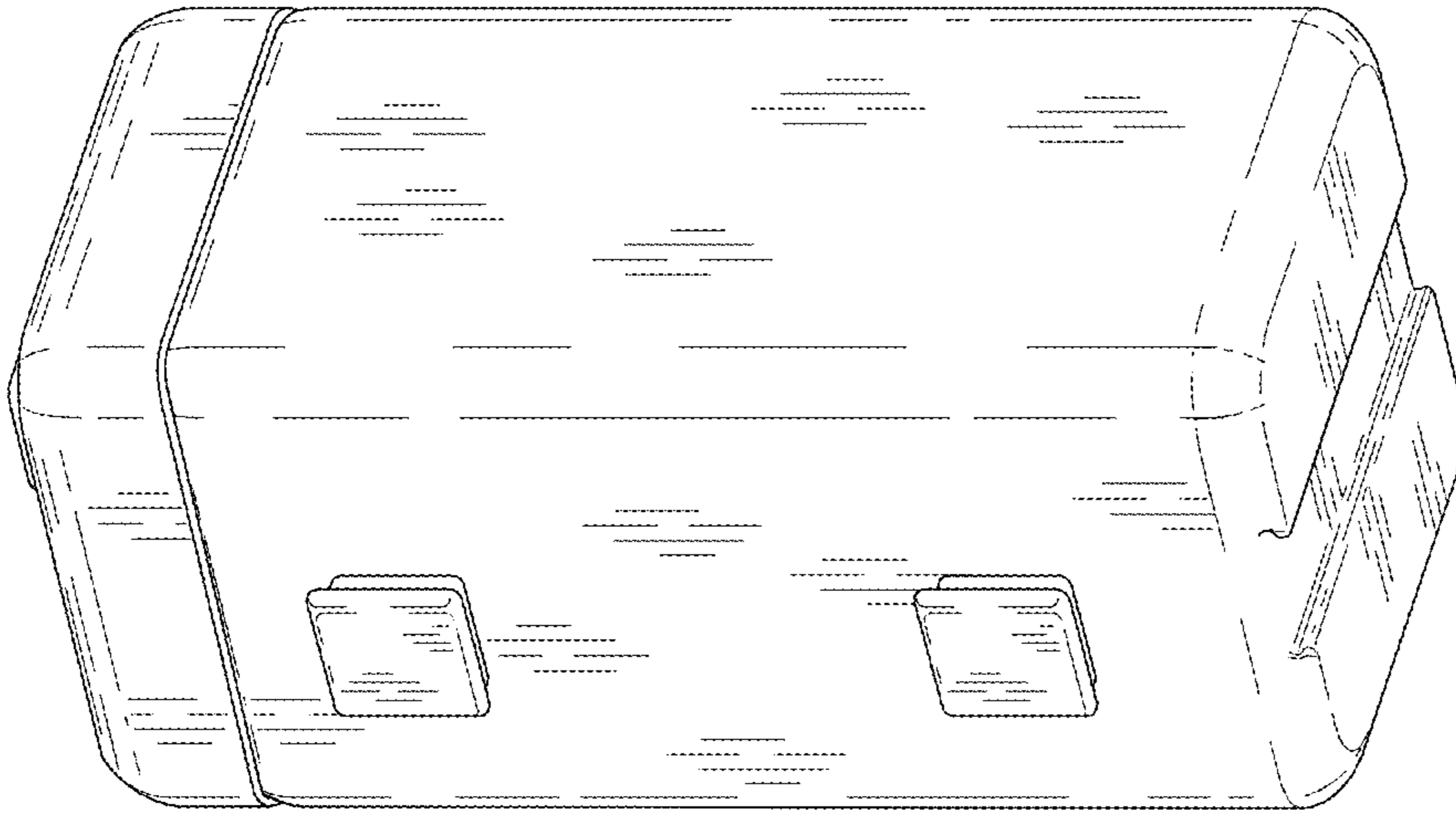


Fig. 10

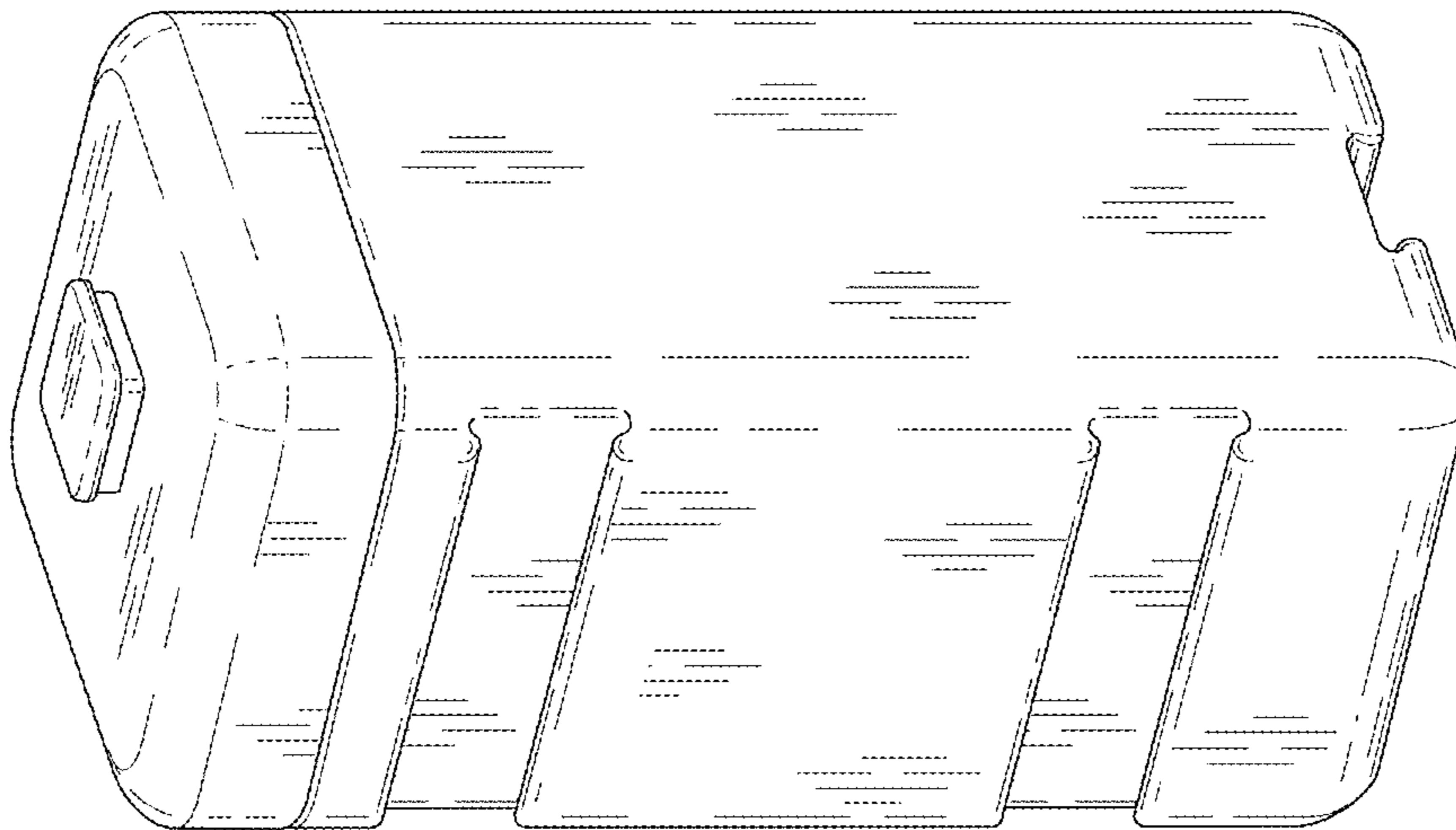


Fig. 11

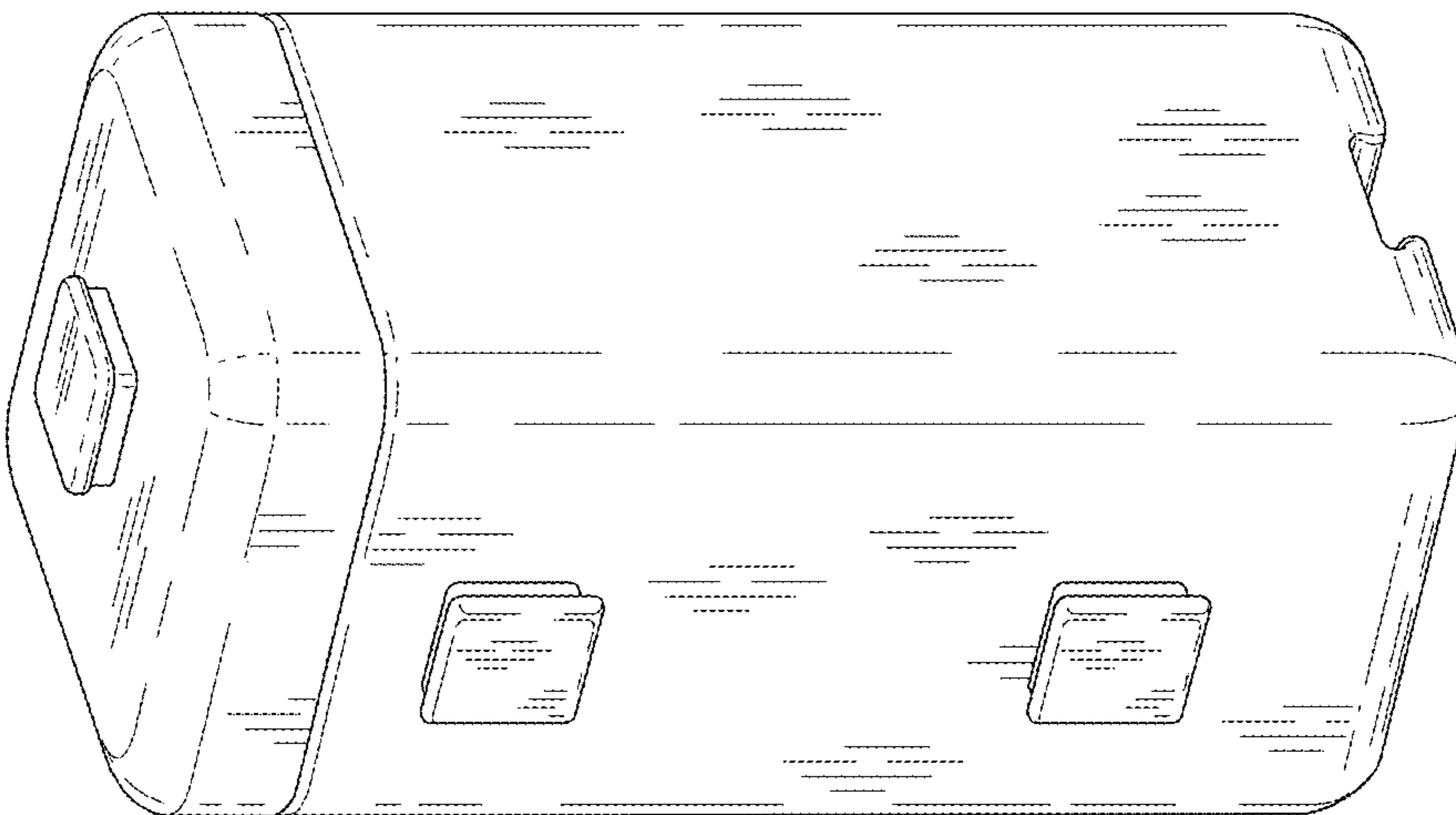


Fig. 12

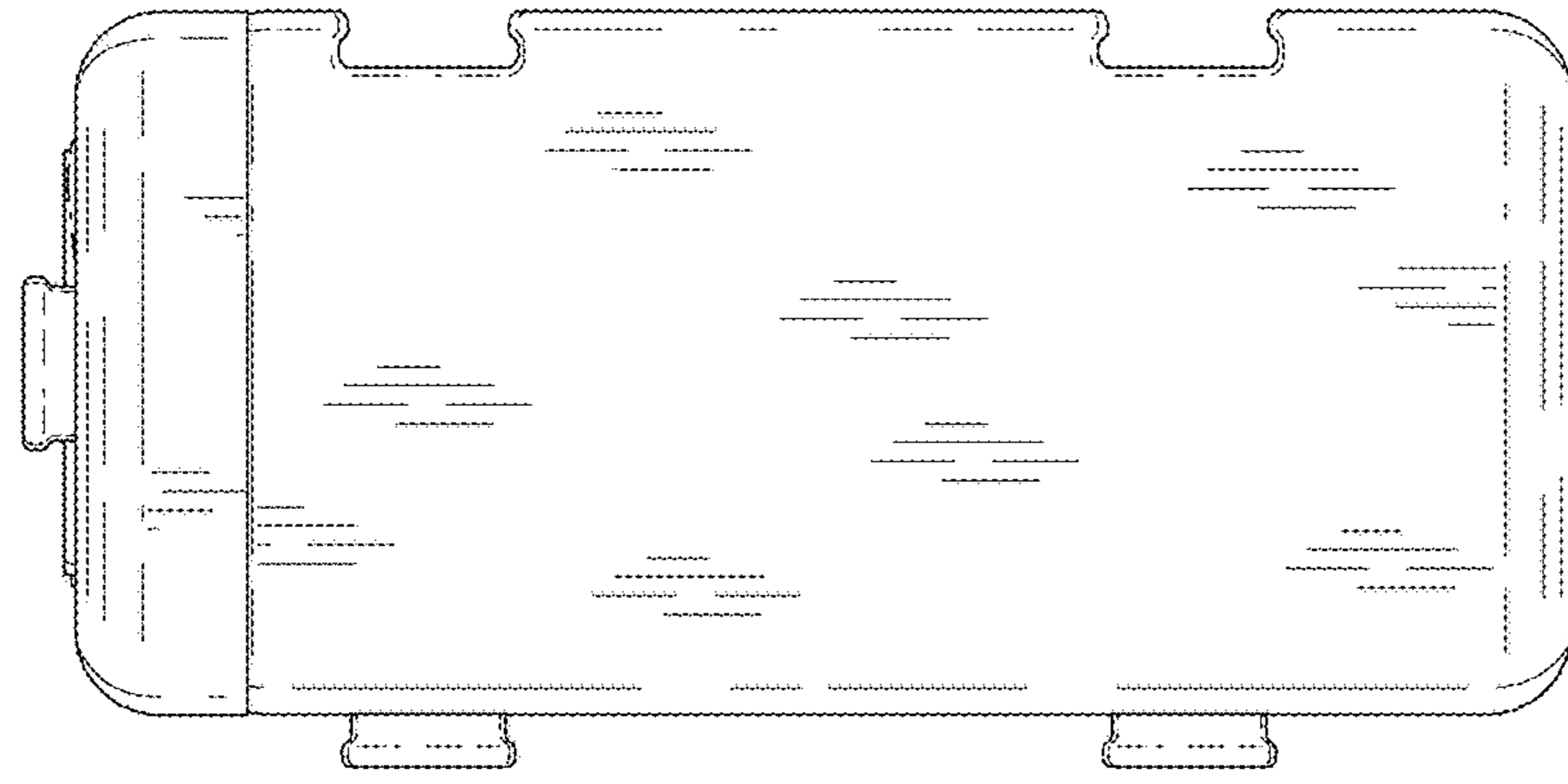


Fig. 13

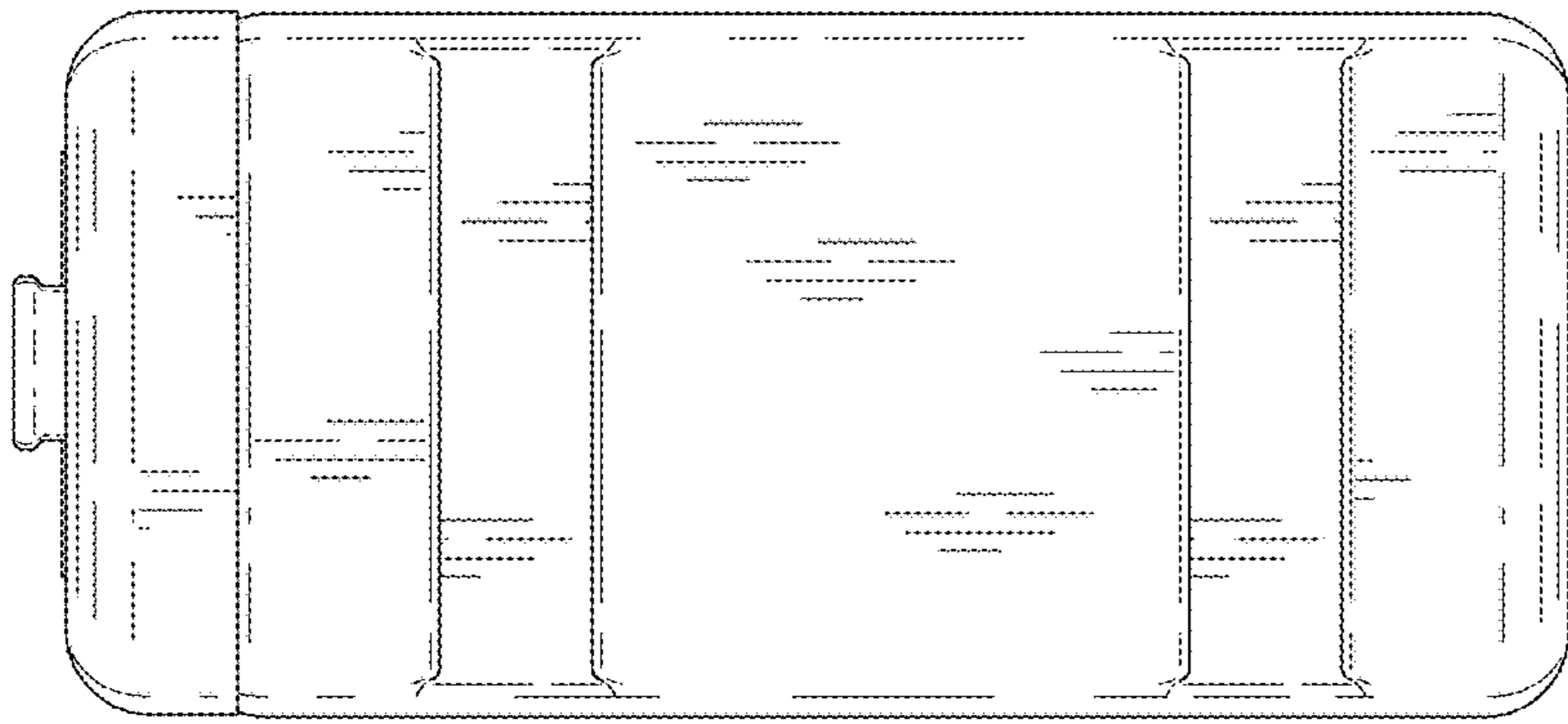


Fig. 14

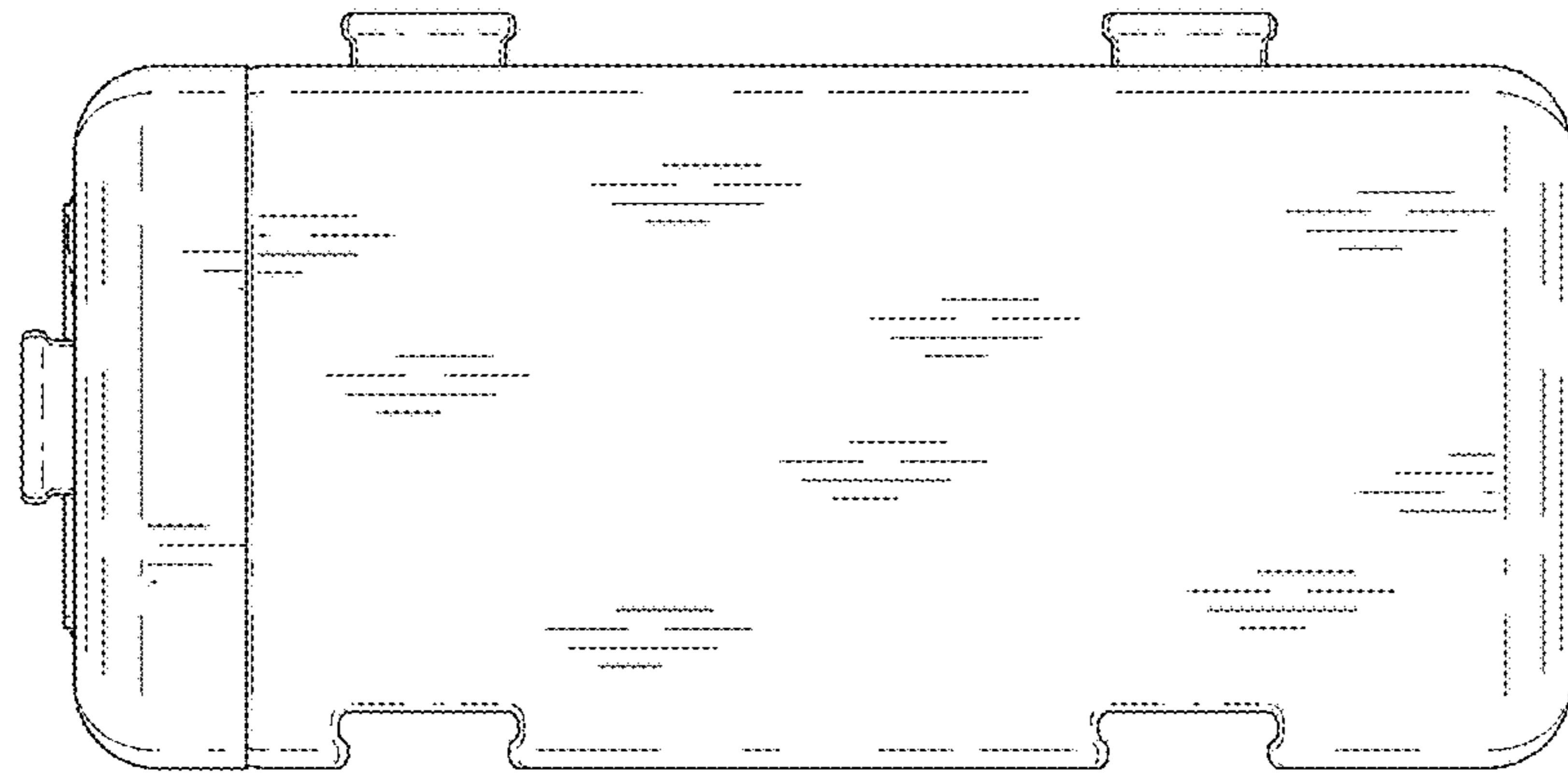


Fig. 15

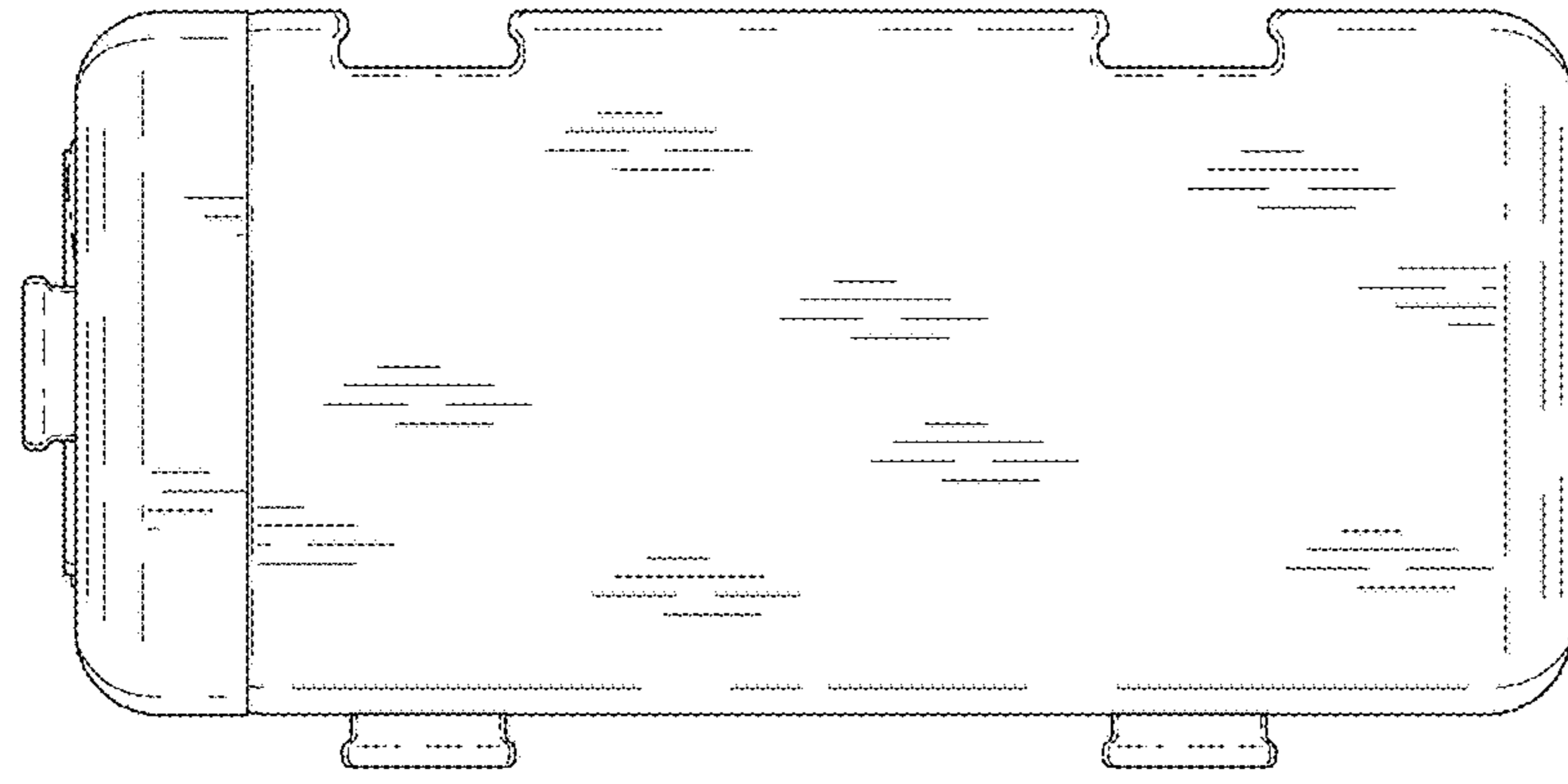


Fig. 16

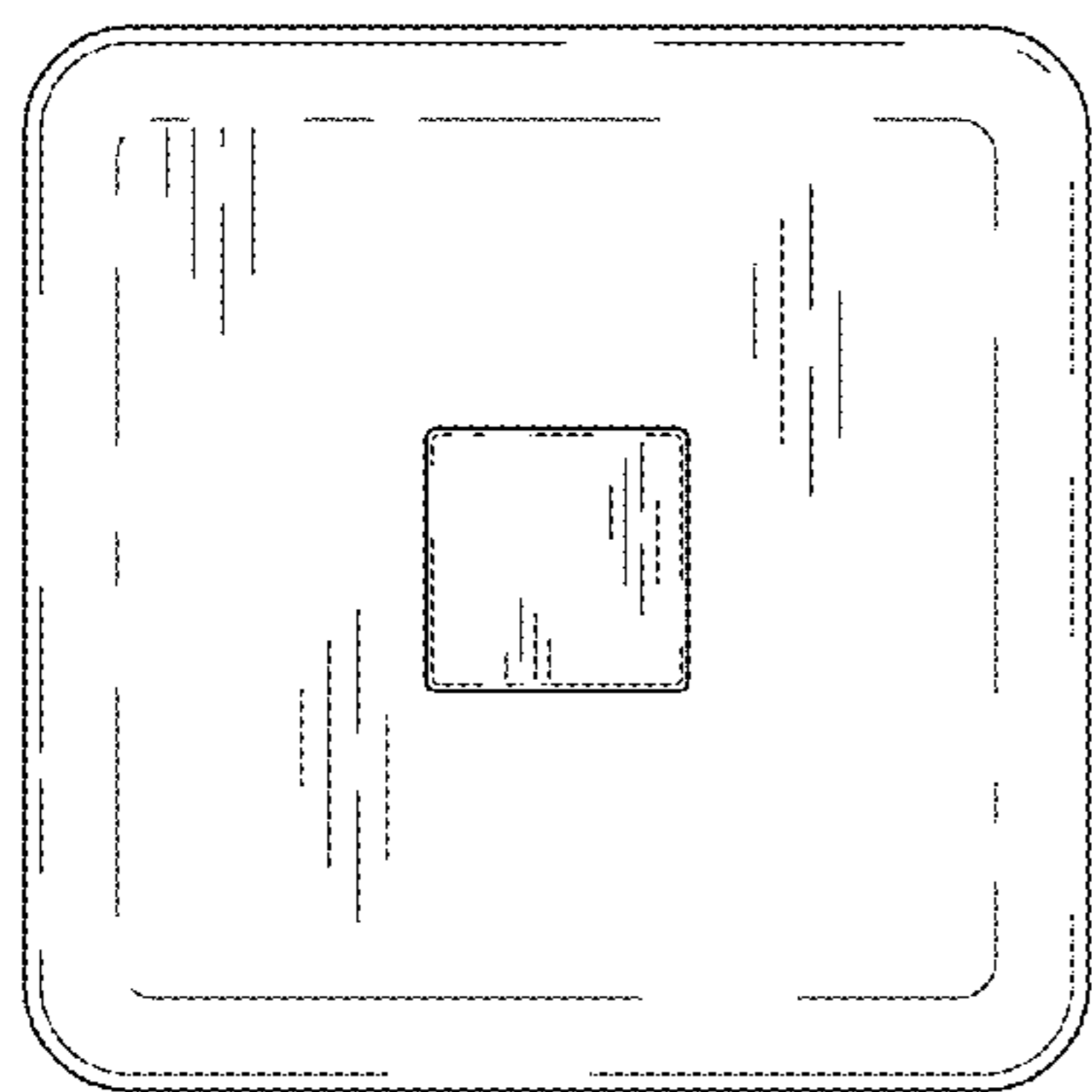


Fig. 17

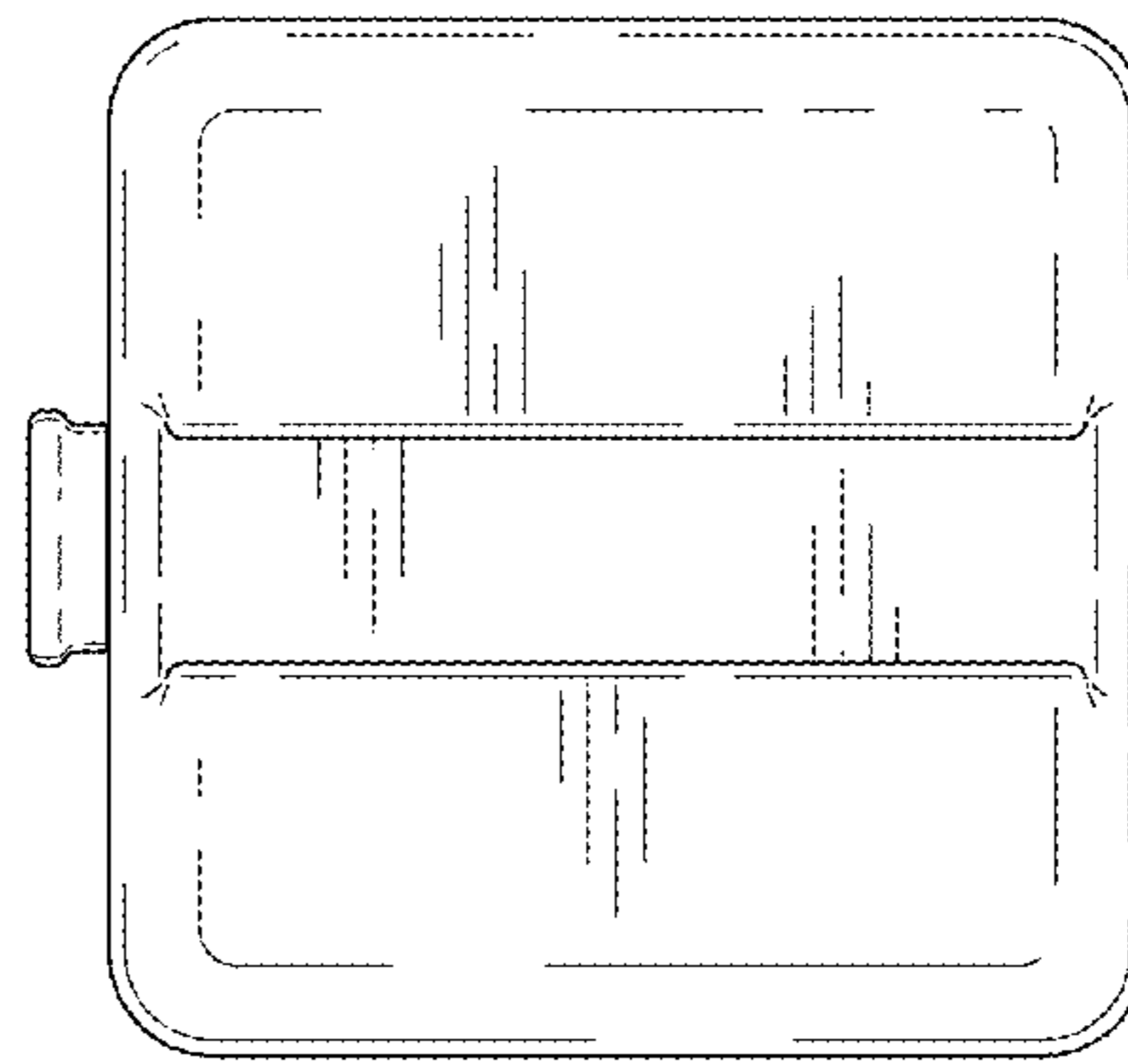


Fig. 18

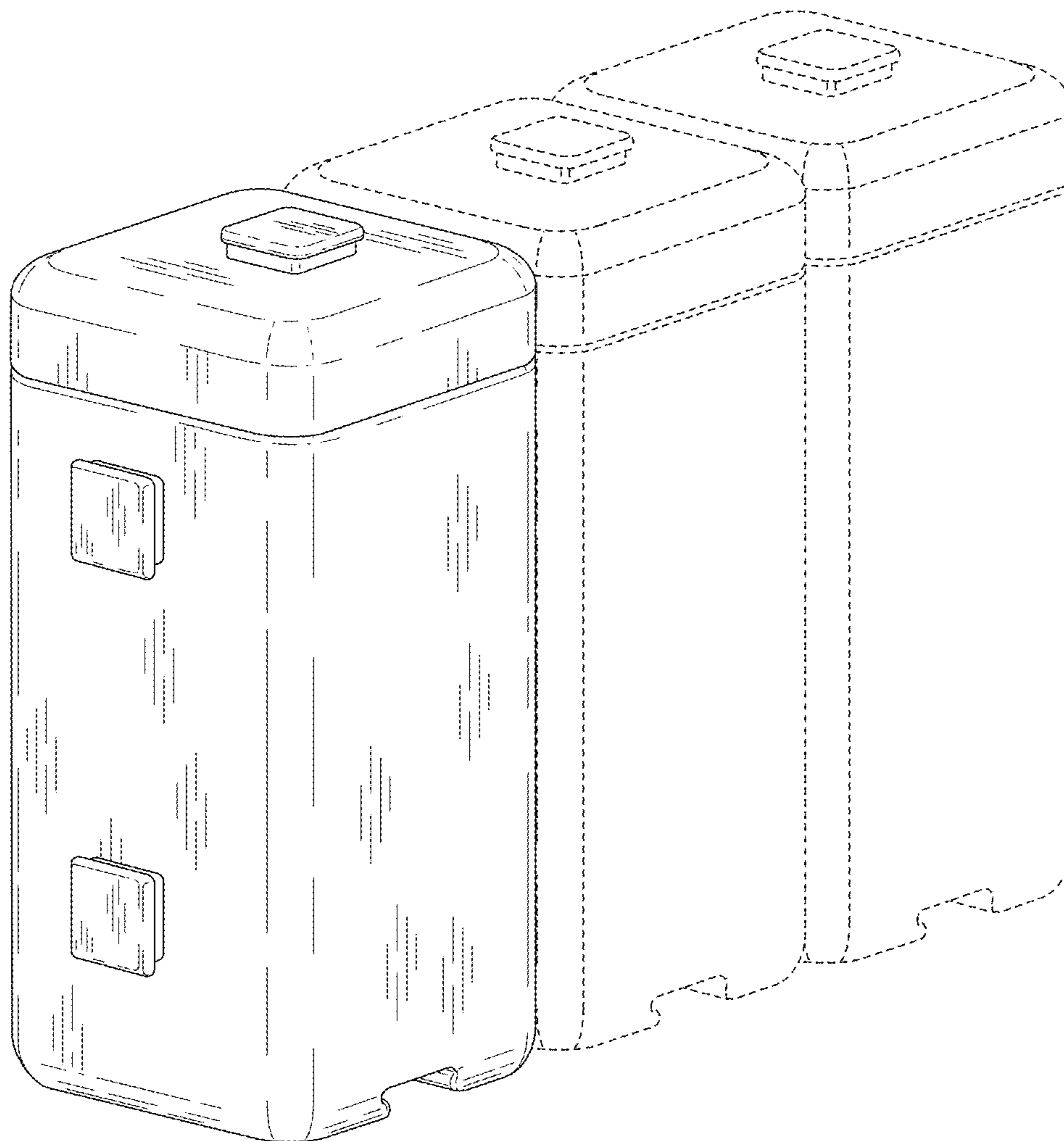


Fig. 19

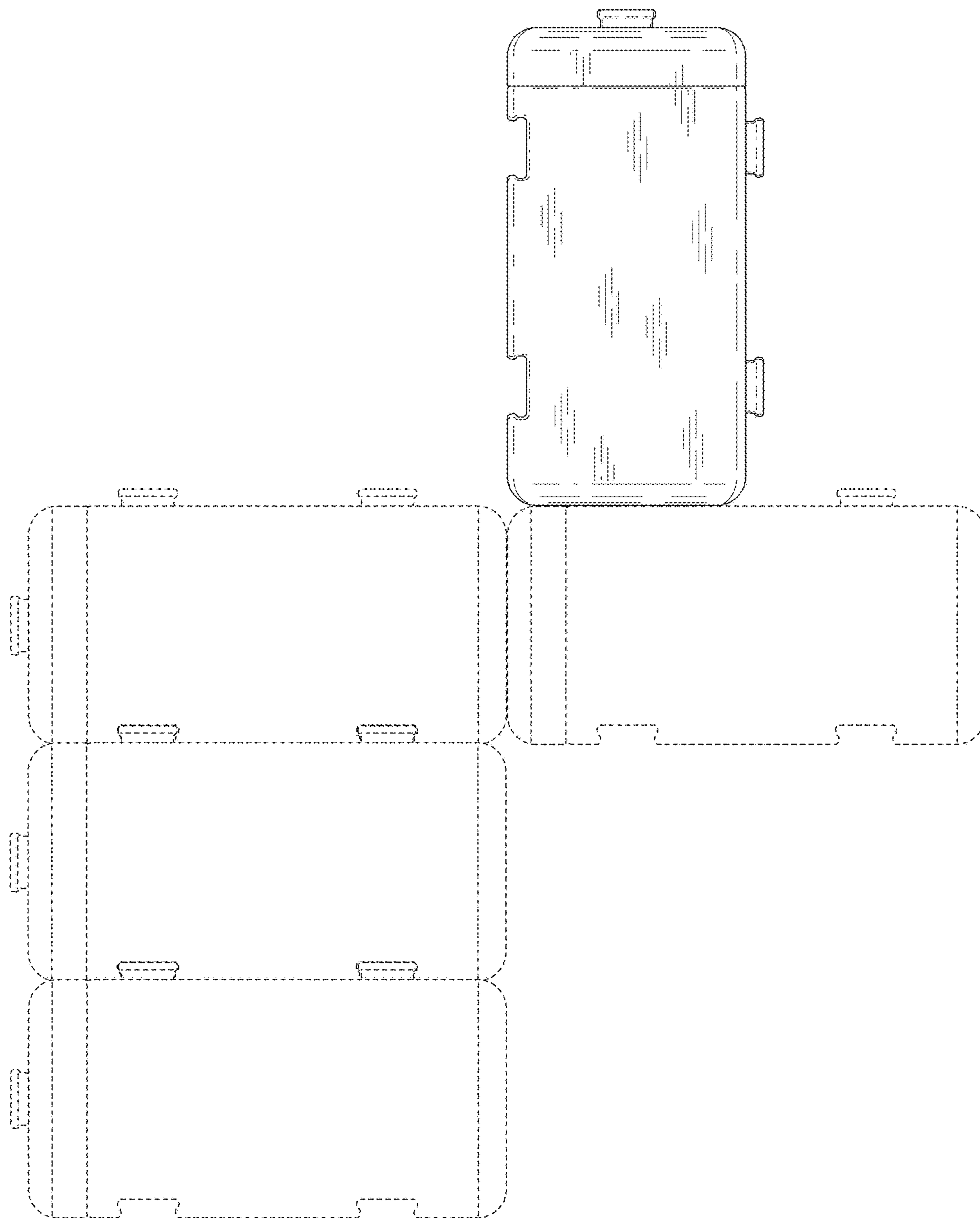


Fig. 20

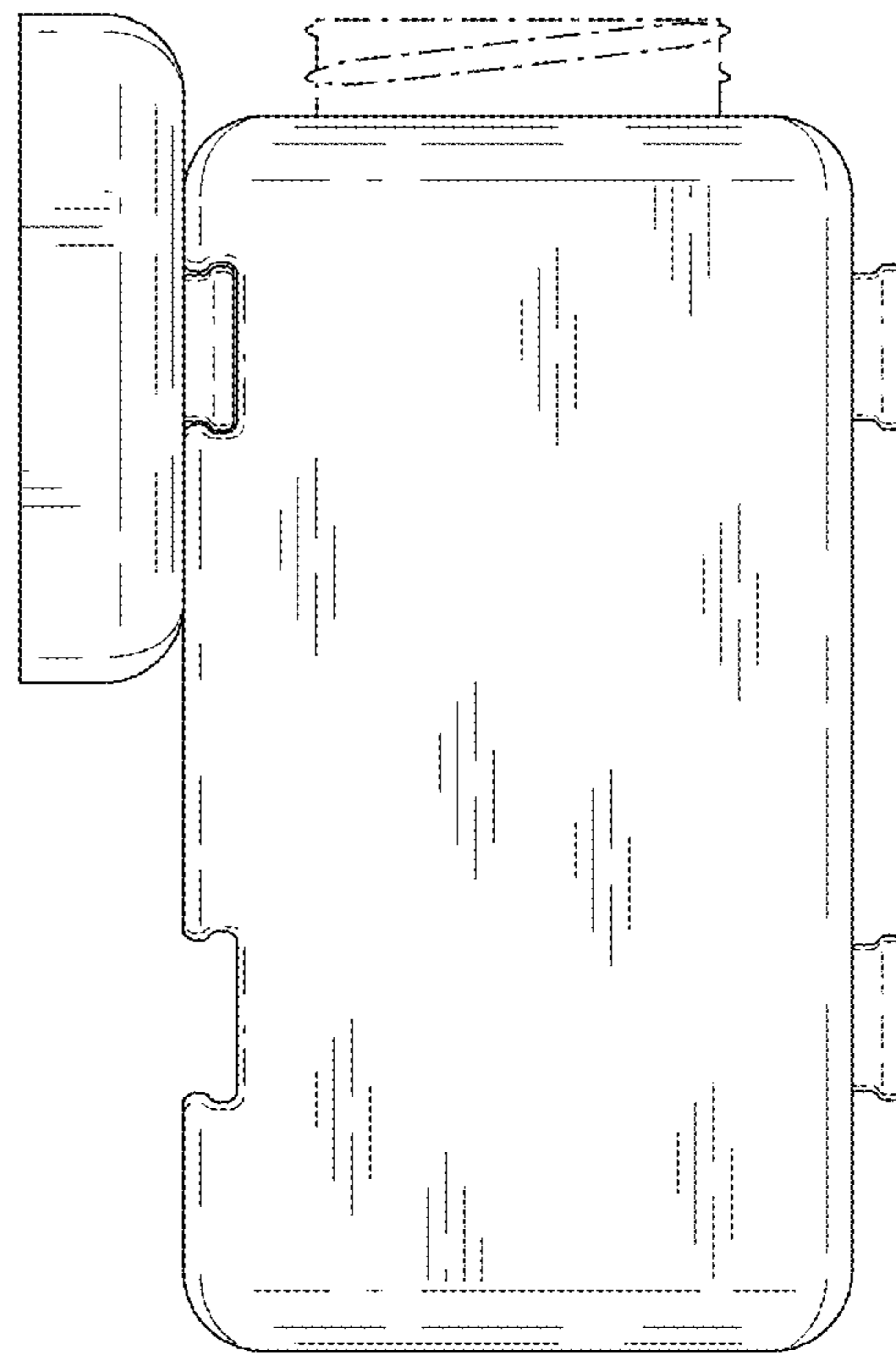


Fig. 21