



US00D809934S

(12) **United States Design Patent** (10) **Patent No.:** **US D809,934 S**  
**Shoshan et al.** (45) **Date of Patent:** **\*\* Feb. 13, 2018**

(54) **TRAY**

(71) Applicants: **FiveStar Gourmet Foods, Inc.**,  
Ontario, CA (US); **Direct Pack, Inc.**,  
Azusa, CA (US)

(72) Inventors: **Tal Shoshan**, Alta Loma, CA (US);  
**Kevind-Dirk Pesirla Closas**, Ontario,  
CA (US); **Cesar E. Ramirez**, Montclair,  
CA (US)

(73) Assignees: **FiveStar Gourmet Foods, Inc.**, Ontario  
(CA); **Direct Pack, Inc.**, Azusa, CA  
(US)

(\*\*) Term: **15 Years**

(21) Appl. No.: **29/613,998**

(22) Filed: **Aug. 15, 2017**

(51) **LOC (11) Cl.** ..... **09-03**

(52) **U.S. Cl.**  
USPC ..... **D9/737**

(58) **Field of Classification Search**  
USPC ..... D9/341, 347, 414-432, 440, 444, 447,  
D9/449, 450-454, 503, 504, 737, 759,  
D9/761; D7/672, 601, 550.1, 551.1,  
D7/551.2, 551.3, 552.1, 552.2, 553.1,  
D7/553.2, 553.3, 553.4, 553.5, 553.7,  
D7/553.8, 554.1, 554.3, 555, 557, 602,  
D7/629, 630, 538-542, 612-615, 584,  
D7/586, 587, 392.1, 709, 608, 622, 701,  
D7/703, 543-549, 317-319, 391, 392,  
D7/396.2, 510, 511; D3/273, 201-206,  
D3/276, 283, 284, 295, 274, 302;  
229/107, 406, 120, 125.17; 220/669-673,  
220/675, 574-575, 573.1, 4.21, 660, 326,  
220/236, 780-806, 4.24, 288, 260, 266,  
220/306, 352, 356, 523, 23.8, 23.2, 23.83,  
220/23.4, 662, 792-799, 700, 701, 703,  
(Continued)

(56) **References Cited**

U.S. PATENT DOCUMENTS

D152,659 S 2/1949 Sloan  
2,588,990 A 3/1952 Sanchez

(Continued)

FOREIGN PATENT DOCUMENTS

CA 19059 D 4/1953  
CA 24235 D 8/1961

(Continued)

OTHER PUBLICATIONS

Fabri-Kal Greenware GS6-3W 3-Compartment Clear PLA  
Compostable Container, available Nov. 18, 2016, [online], [site  
visited Aug. 14, 2017]. Available from internet, <URL: <https://www.webstaurantstore.com/fabri-kal-greenware-gs6-3w-3-compartment-clear-pla-compostable-container-pack/999GS63W.html>  
(Year: 2016).\*

(Continued)

*Primary Examiner* — Cathron C Brooks

*Assistant Examiner* — W. A. Teddy Falloway

(74) *Attorney, Agent, or Firm* — Frost Brown Todd LLC

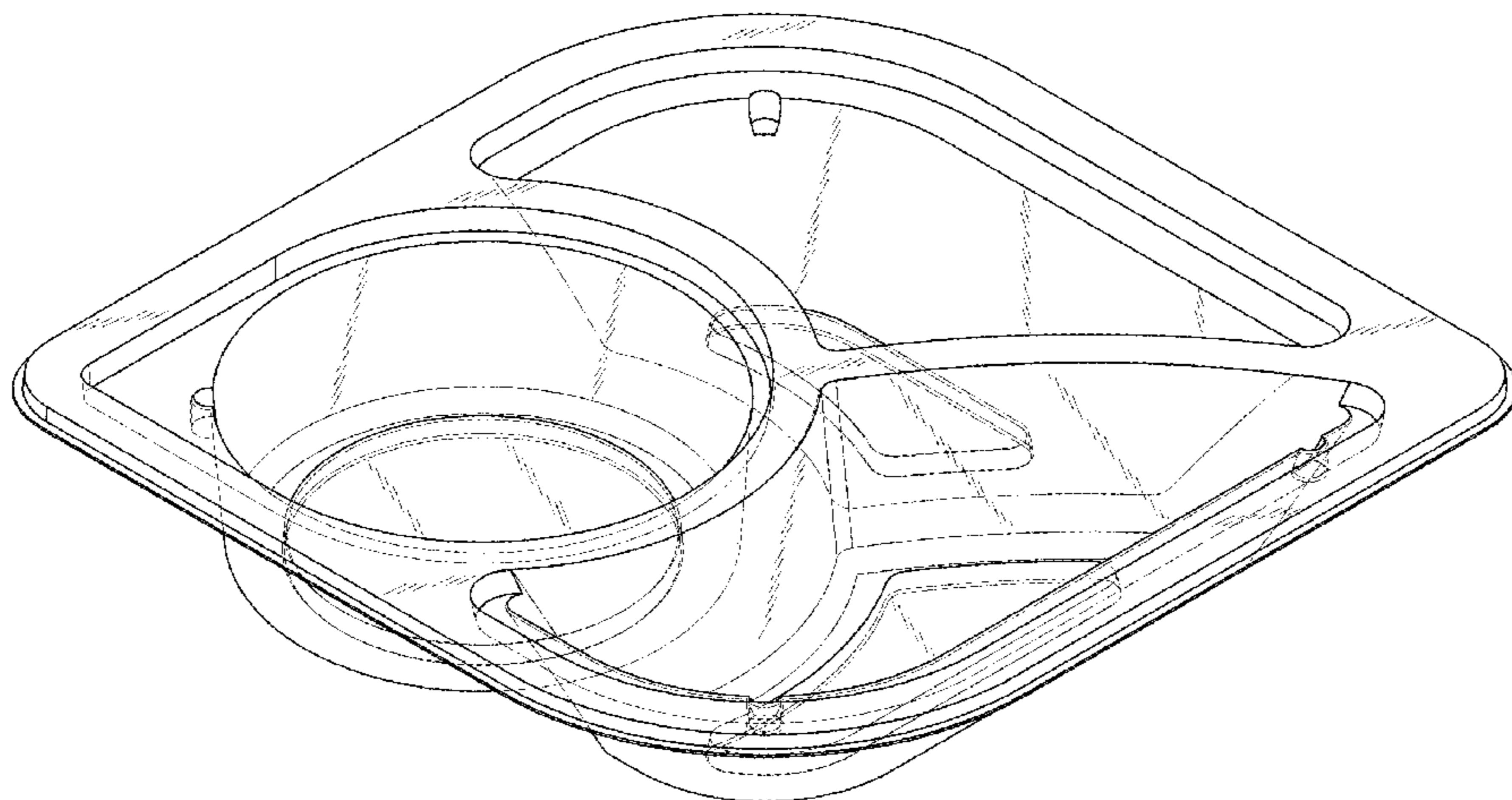
(57) **CLAIM**

The ornamental design for a tray, as shown and described.

**DESCRIPTION**

FIG. 1 is a top perspective view of the tray;  
FIG. 2 is a bottom perspective view thereof;  
FIG. 3 is a front elevation view thereof;  
FIG. 4 is a rear elevation view thereof;  
FIG. 5 is a left elevation view thereof;  
FIG. 6 is a right elevation view thereof;  
FIG. 7 is a top plan view thereof; and,  
FIG. 8 is a bottom plan view thereof.

**1 Claim, 8 Drawing Sheets**



(58) **Field of Classification Search**  
 USPC ..... 220/711, 713–715, 719; 426/106;  
                   206/216, 217, 541–550, 518, 557, 558,  
                   206/561, 564, 223, 467; 215/211, 200,  
                   215/224, 243; 249/126, 134  
 CPC ..... A47G 19/00; A47G 19/02; A47G 19/065;  
                   B65D 1/34; B65D 1/026; B65D 21/00;  
                   B65D 21/0204  
 See application file for complete search history.

D698,665 S *	2/2014	Sifuentes .....	D9/425
D698,666 S *	2/2014	Sifuentes .....	D9/425
D698,667 S *	2/2014	Snedden .....	D9/425
D723,391 S *	3/2015	Snedden .....	D9/425
D734,641 S	7/2015	Ginsburg	
D740,615 S	10/2015	Shoshan et al.	
D747,151 S *	1/2016	Liming .....	D7/553.6
D752,924 S	4/2016	Vue et al.	
D770,854 S	11/2016	Das et al.	
D772,078 S *	11/2016	Shoshan .....	D9/756
D782,333 S *	3/2017	Shoshan .....	D9/737
D784,769 S	4/2017	Beckman et al.	
D798,167 S *	9/2017	Bennett .....	D9/762
D799,340 S *	10/2017	Shoshan .....	D9/737
2005/0045791 A1	3/2005	Maniaci	
2006/0029695 A1	2/2006	Kaczor	
2008/0142515 A1	6/2008	Phifer et al.	

(56) **References Cited**  
 U.S. PATENT DOCUMENTS

D172,271 S	5/1954	Despres	
D182,396 S	4/1958	Berry, Jr.	
D194,155 S	11/1962	Gottsegen	
D199,991 S	1/1965	McManamey	
D204,017 S	3/1966	Wall	
3,498,470 A	3/1970	Thomas	
3,708,086 A	1/1973	Colato	
D298,296 S	11/1988	Washburn	
4,989,742 A	2/1991	Powell	
5,353,985 A	10/1994	Nageli et al.	
5,598,944 A	2/1997	Aragona	
5,607,077 A	3/1997	Torkelson	
D410,820 S	6/1999	Lofrano	
5,960,985 A	10/1999	Perlis et al.	
D429,962 S	8/2000	Maniaci	
D455,316 S	4/2002	Carpenter	
6,440,509 B1	8/2002	Littlejohn et al.	
D573,407 S	7/2008	Cox	
D607,284 S *	1/2010	Ho .....	D7/629
D623,901 S *	9/2010	Clark .....	D7/545
D686,460 S	7/2013	Maggio	

FOREIGN PATENT DOCUMENTS

CA	69061 D	8/1991
CA	303835604 S	9/2016
CN	303166362 S	4/2015
CN	303965267 S	12/2016
DE	20 2004 005532 U1	6/2004
FR	1347753 A	1/1964
JP	D1503407 S	7/2014

OTHER PUBLICATIONS

86 Vintage, "Vintage Wooden Divider Plates Set/2," downloaded Aug. 10, 2017 from <https://www.86vintage.com/collections/kitchen/products/vintage-wood-plates-set-2>, 3 pgs.

\* cited by examiner

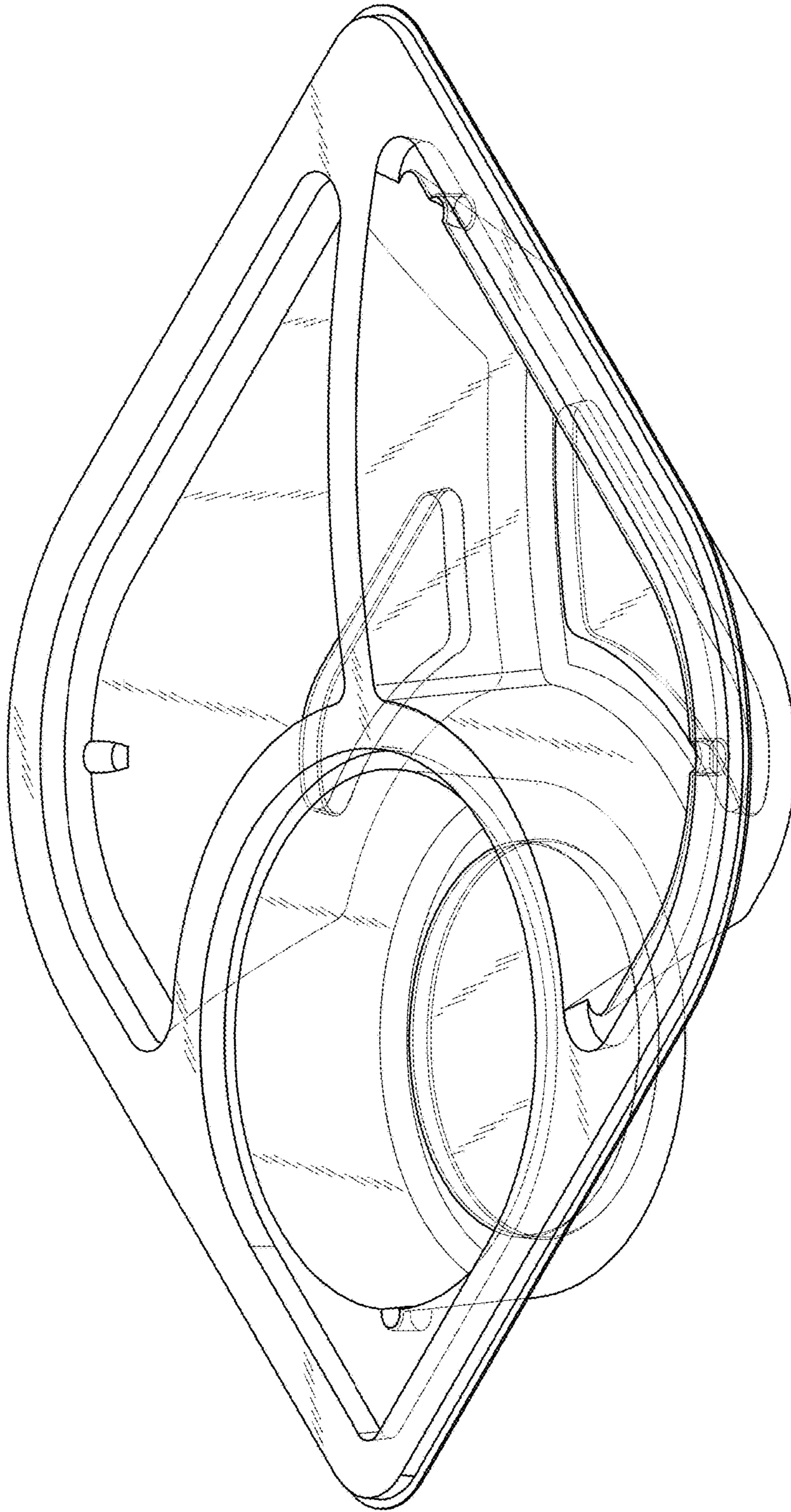


FIG. 1



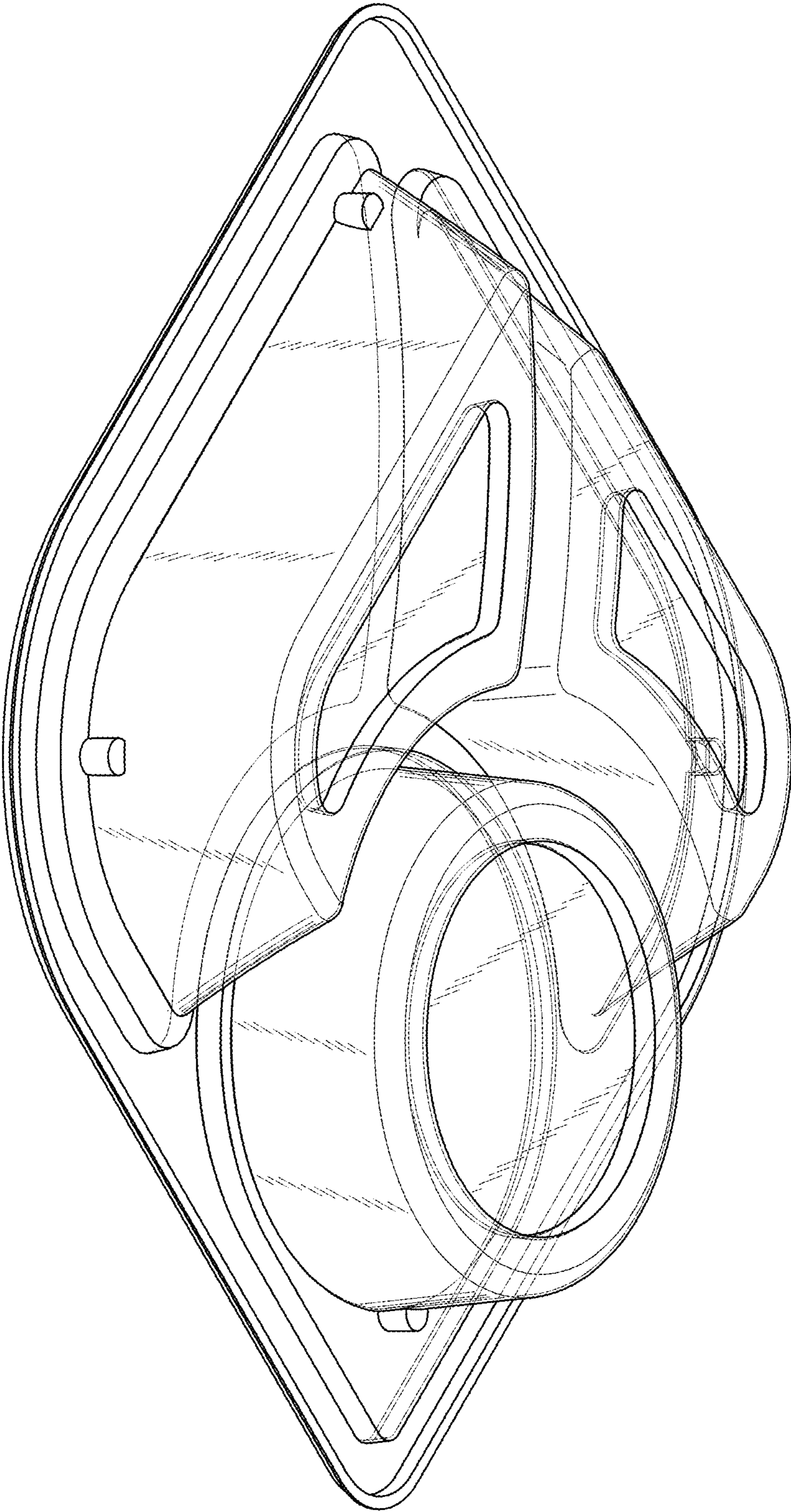


FIG. 2

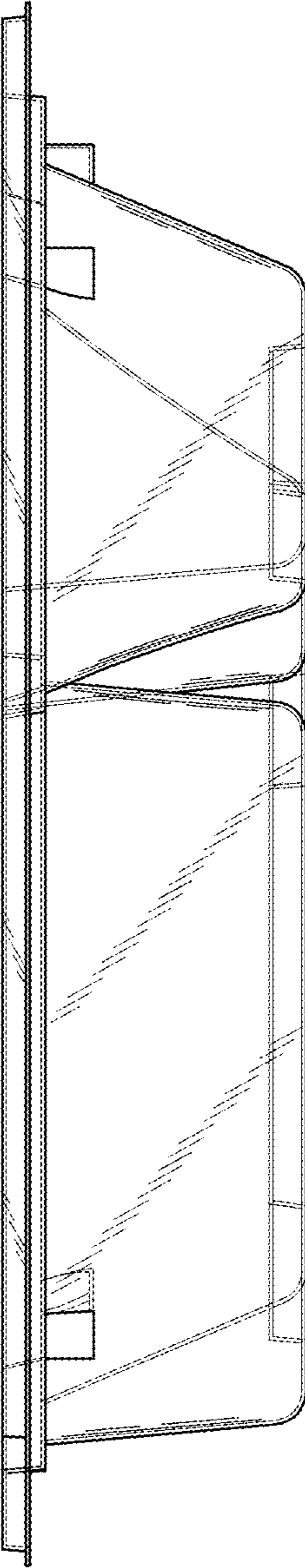


FIG. 3

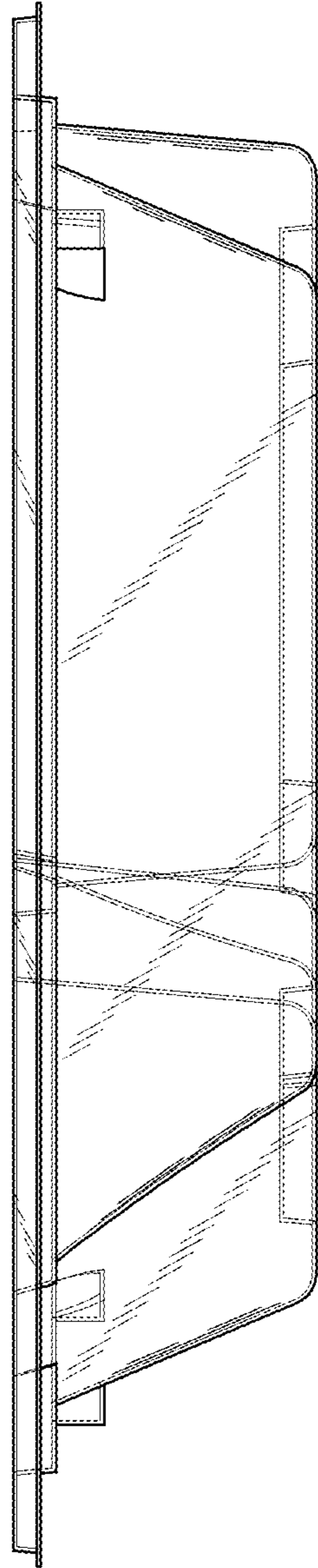


FIG. 4

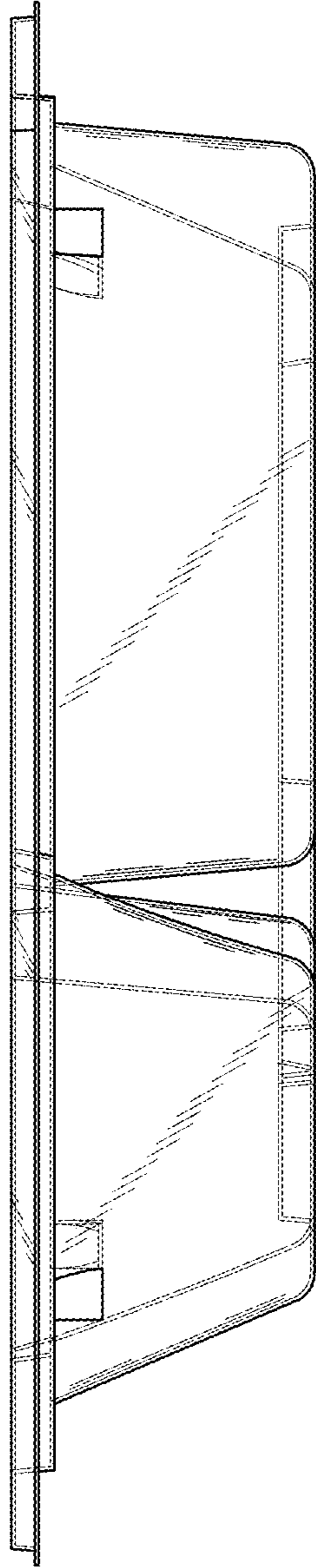


FIG. 5

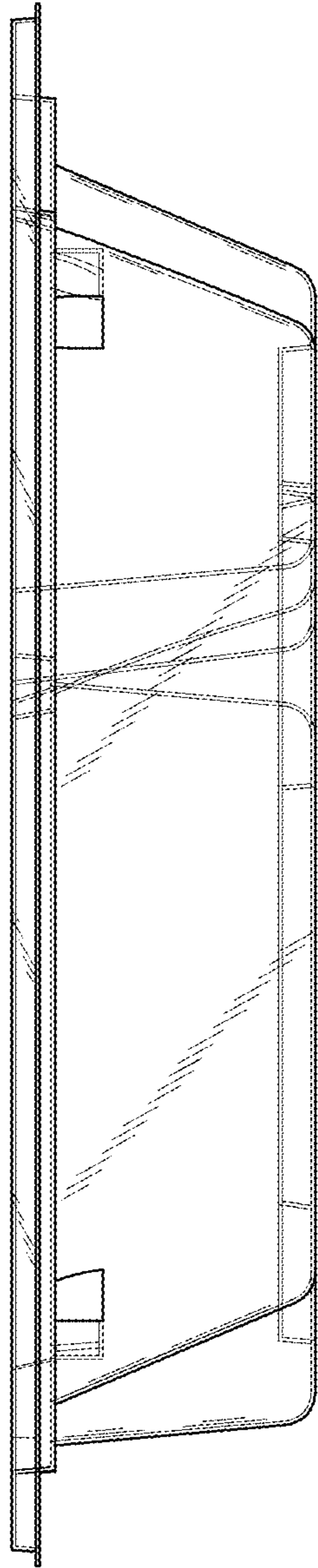


FIG. 6



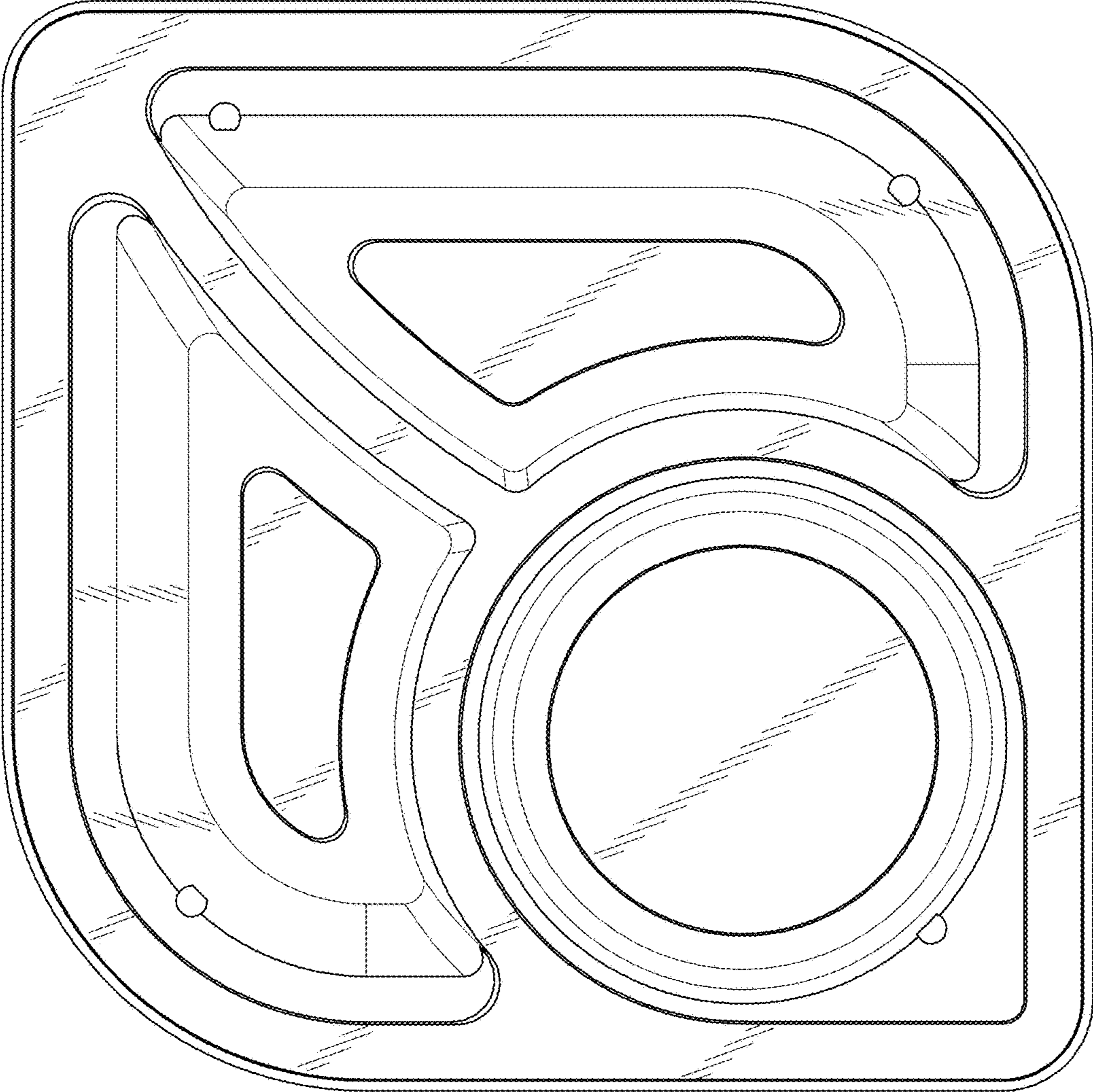


FIG. 7

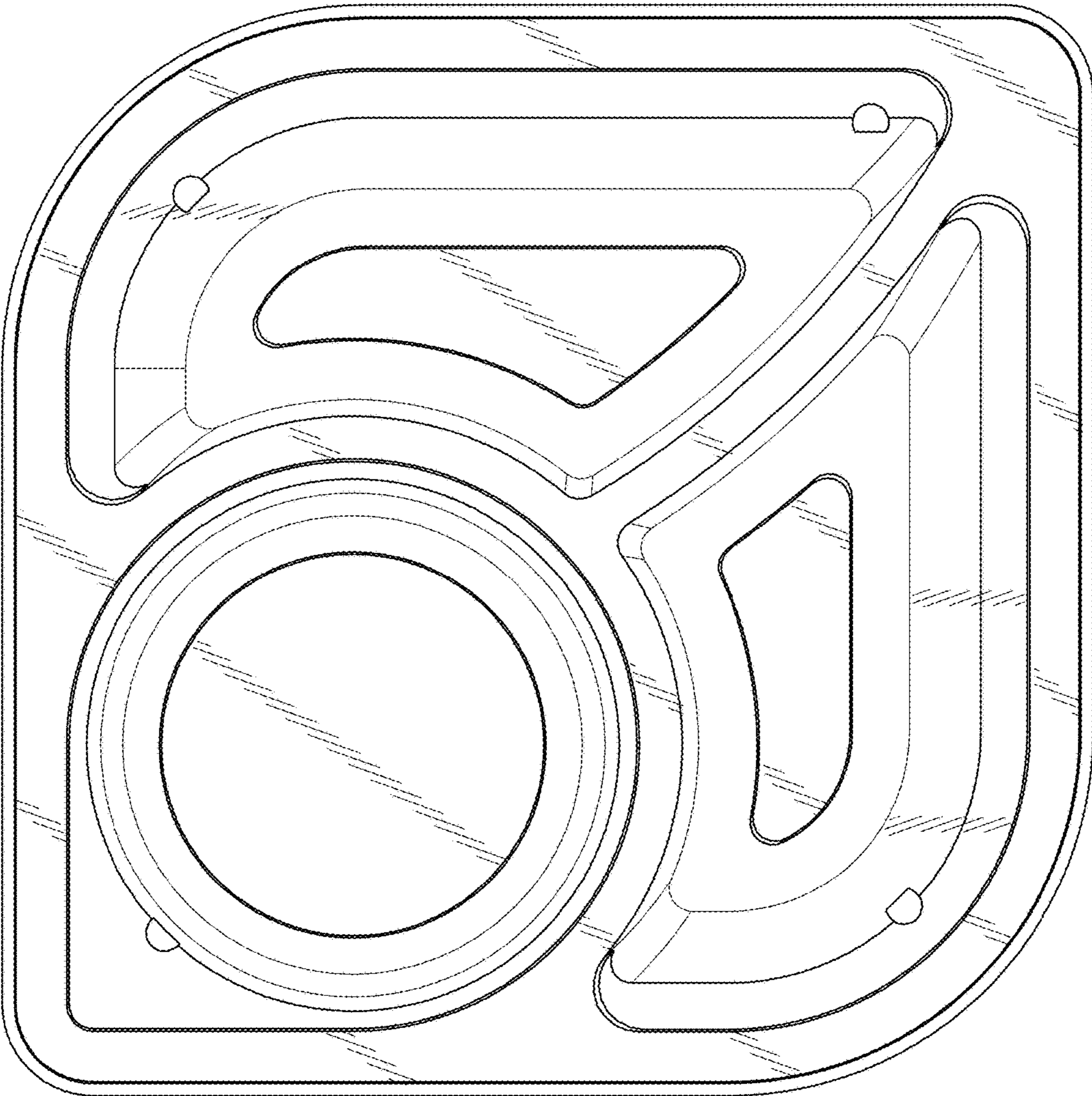


FIG. 8