



US00D809933S

(12) **United States Design Patent** (10) **Patent No.:** **US D809,933 S**  
**Buttner et al.** (45) **Date of Patent:** **\*\* Feb. 13, 2018**

(54) **CARD WITH CONTAINER** 5,782,357 A \* 7/1998 Johnson ..... B42D 15/045  
206/461  
(71) Applicant: **Woke Industries LLC**, Bogota, NJ D423,343 S \* 4/2000 Smith ..... D19/78  
(US) D439,512 S \* 3/2001 Wootton ..... D9/415  
6,312,183 B1 \* 11/2001 Arnold ..... B42D 1/08  
(72) Inventors: **Chelsea Buttner**, Bogota, NJ (US); D455,958 S \* 4/2002 Burrus ..... D9/433  
**Thomas J. Buttner**, Bogota, NJ (US); D523,473 S \* 6/2006 Regala ..... D19/26  
**Elizabeth Kim**, Bogota, NJ (US) D565,098 S \* 3/2008 Lesperance, Jr. .... D19/26  
8,474,619 B1 \* 7/2013 Chrisman ..... B65D 5/5213  
206/449

(\*\*) Term: **15 Years**

(Continued)

(21) Appl. No.: **29/594,087**

*Primary Examiner* — Derrick E Holland

(22) Filed: **Feb. 15, 2017**

*Assistant Examiner* — Lauren R Calve

(51) **LOC (11) Cl.** ..... **09-01**

(74) *Attorney, Agent, or Firm* — Gloria Tsui-Yip; Wendi E. Uzar

(52) **U.S. Cl.**  
USPC ..... **D9/722**

(58) **Field of Classification Search**  
USPC ..... D9/414, 415, 416, 432, 433, 658, 715,  
D9/721, 722; D3/201, 203.1, 273, 294,  
D3/298, 299, 300, 304, 314  
CPC ..... B65D 5/5213; B65D 5/5021; B65D  
2571/0066; B65D 5/5007; B65D 5/5059;  
B65D 5/5061; B65D 73/00; B65D 5/50;  
B65D 5/542; B65D 85/00; B65D 5/5019;  
B65D 25/54

(57) **CLAIM**

The ornamental design for a card with container, as shown and described.

See application file for complete search history.

**DESCRIPTION**

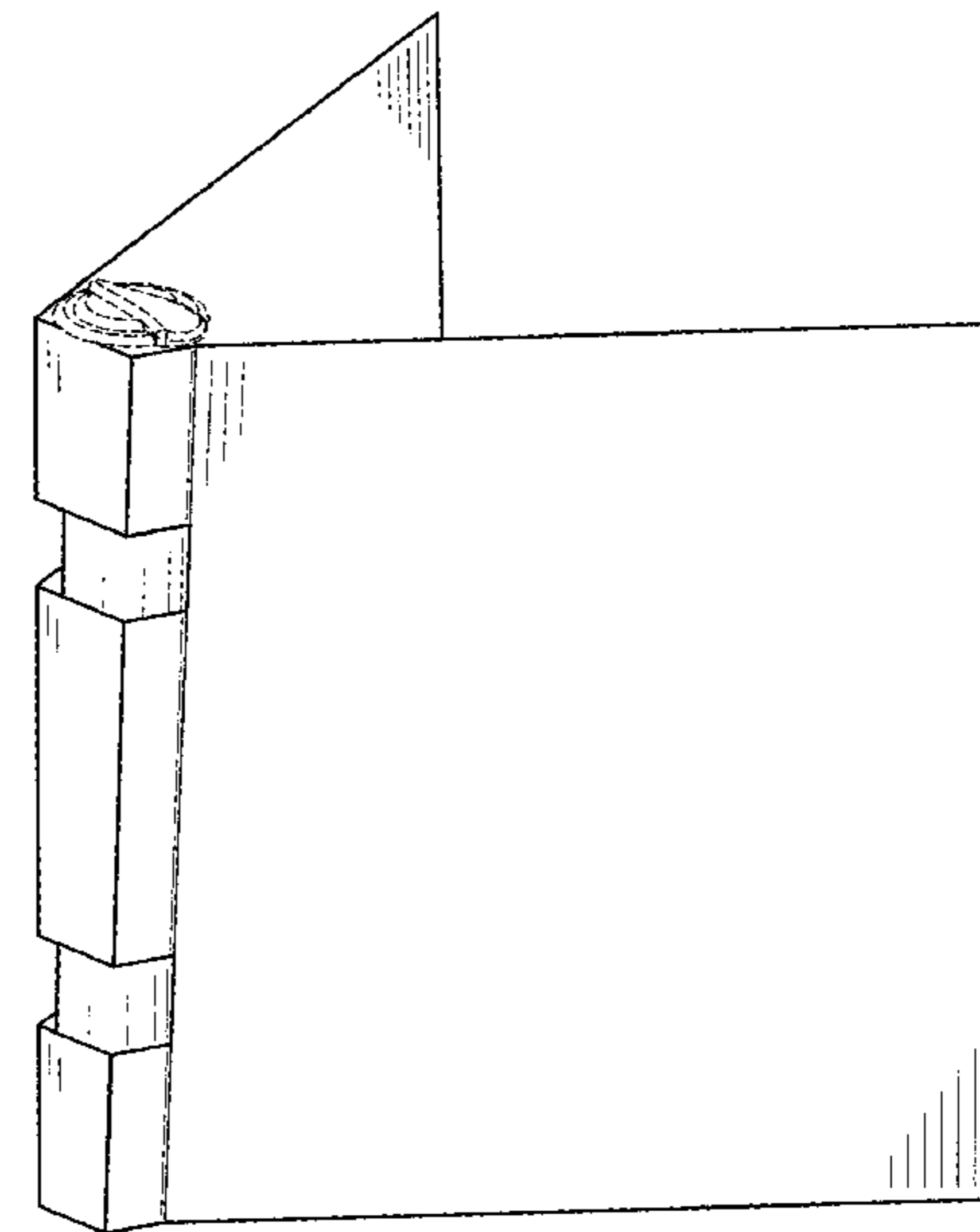
(56) **References Cited**

U.S. PATENT DOCUMENTS

2,084,635 A \* 6/1937 Friedrich ..... B65D 5/5007  
206/756  
2,609,639 A \* 9/1952 Barker ..... B42D 15/042  
446/150  
D192,707 S \* 5/1962 Kahn ..... D9/722  
D261,482 S \* 10/1981 Haubert ..... D19/2  
4,524,871 A \* 6/1985 Klinger ..... A45D 40/18  
206/233  
5,293,706 A \* 3/1994 Wood ..... G09F 1/06  
40/124.08  
5,407,076 A \* 4/1995 Sabet ..... A45D 40/0087  
206/472

FIG. 1 is a front elevational view of a card with container according to our new design;  
FIG. 2 is a rear elevational view thereof;  
FIG. 3 is a right side view thereof;  
FIG. 4 is a left side view thereof;  
FIG. 5 is a top plan view thereof;  
FIG. 6 is a bottom plan view thereof;  
FIG. 7 is a perspective view thereof;  
FIG. 8 is a second perspective view thereof shown in an alternate position;  
FIG. 9 is a third perspective view thereof shown without the container for clarity of illustration; and,  
FIG. 10 is a partial exploded perspective view of the card with container of FIG. 1 shown in environmental use.  
The broken lines shown represent unclaimed subject matter and form no part of the claimed design.

**1 Claim, 10 Drawing Sheets**



(56)

**References Cited**

U.S. PATENT DOCUMENTS

2006/0135037 A1\* 6/2006 Newland ..... B42D 15/027  
446/475  
2009/0301907 A1\* 12/2009 Mason ..... C11D 17/049  
206/223  
2015/0282579 A1\* 10/2015 Piro ..... H04B 1/3888  
206/756  
2016/0311595 A1\* 10/2016 Chrisman ..... B42D 15/045

\* cited by examiner

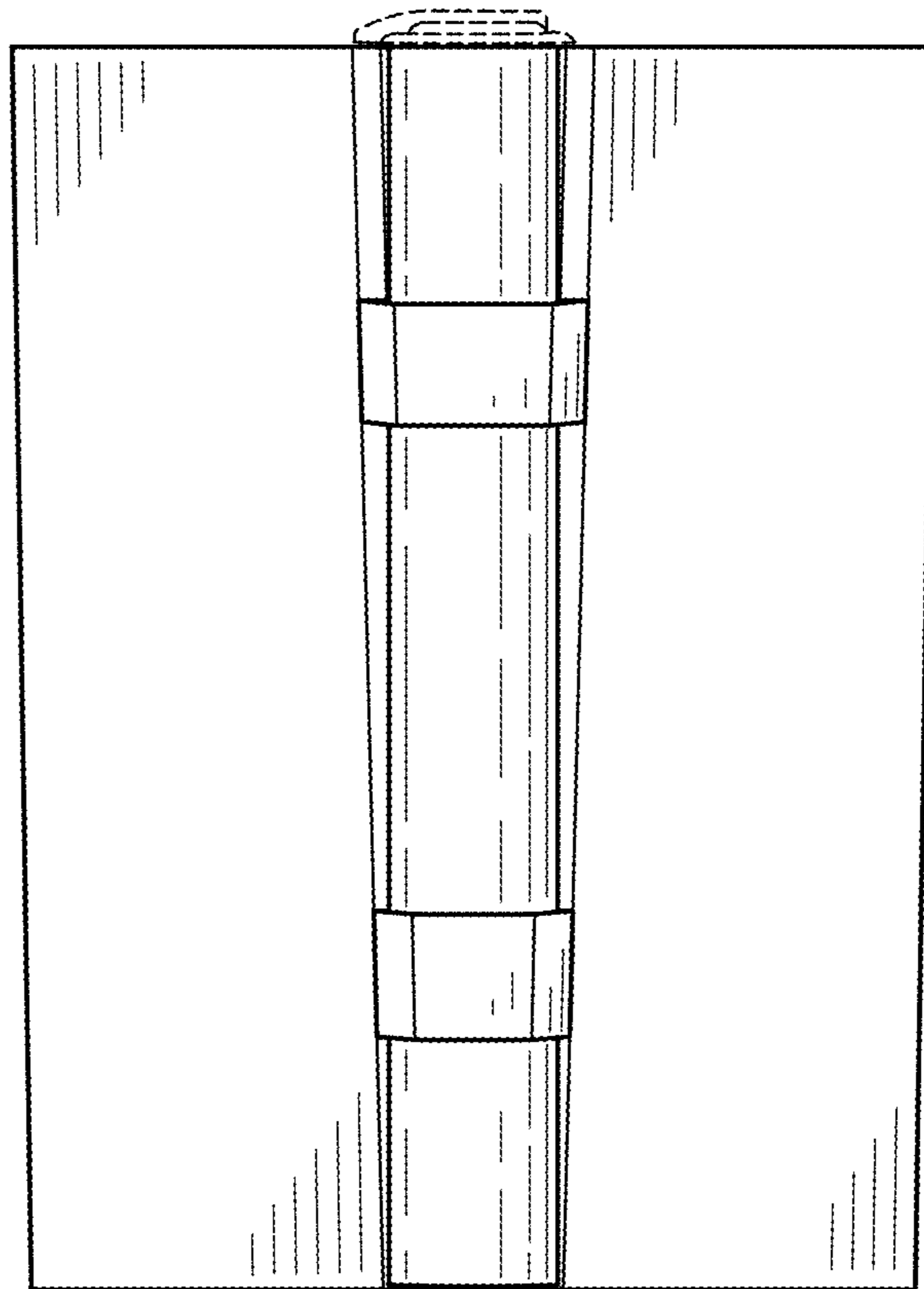


Fig.1

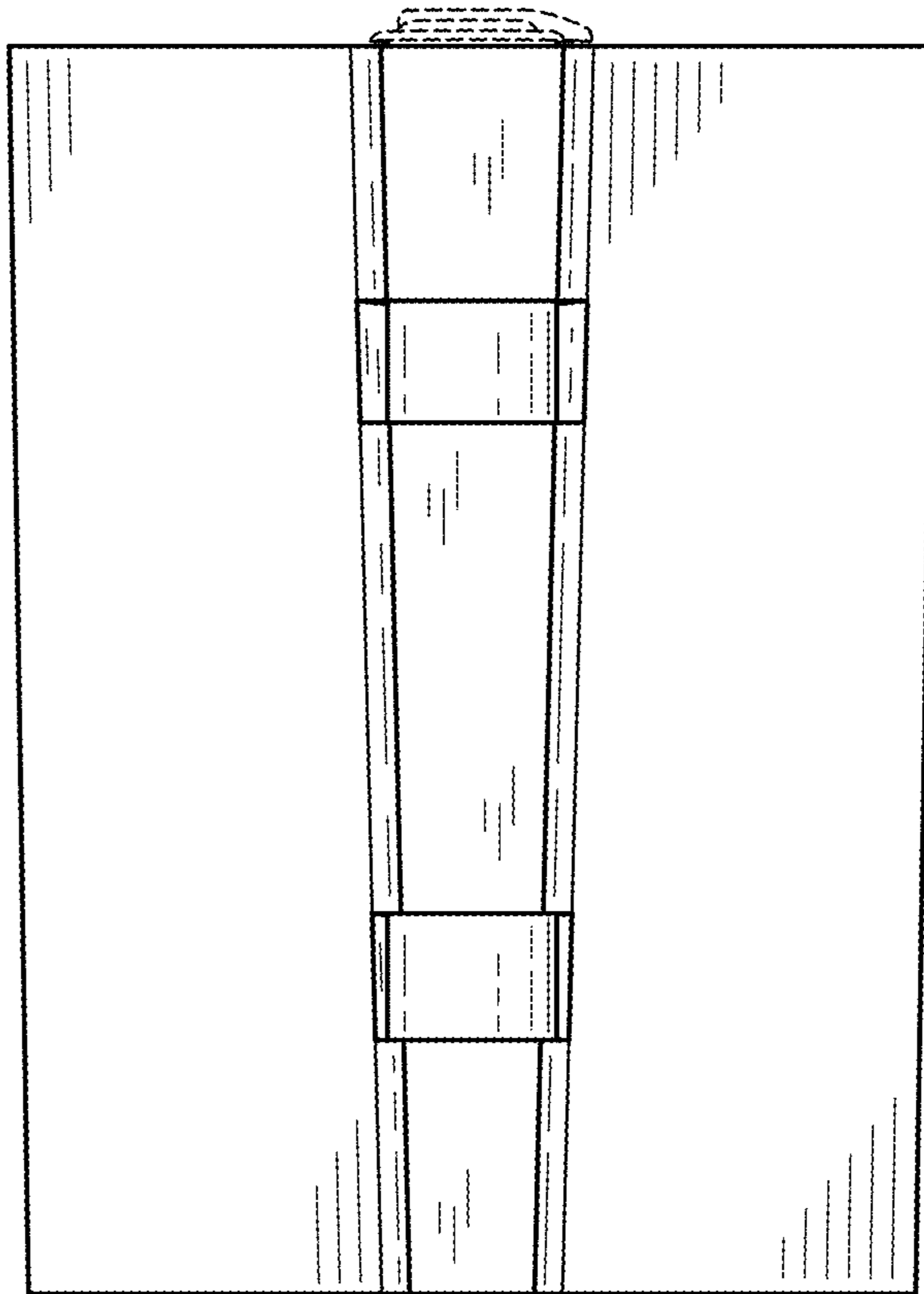


Fig.2



Fig.3

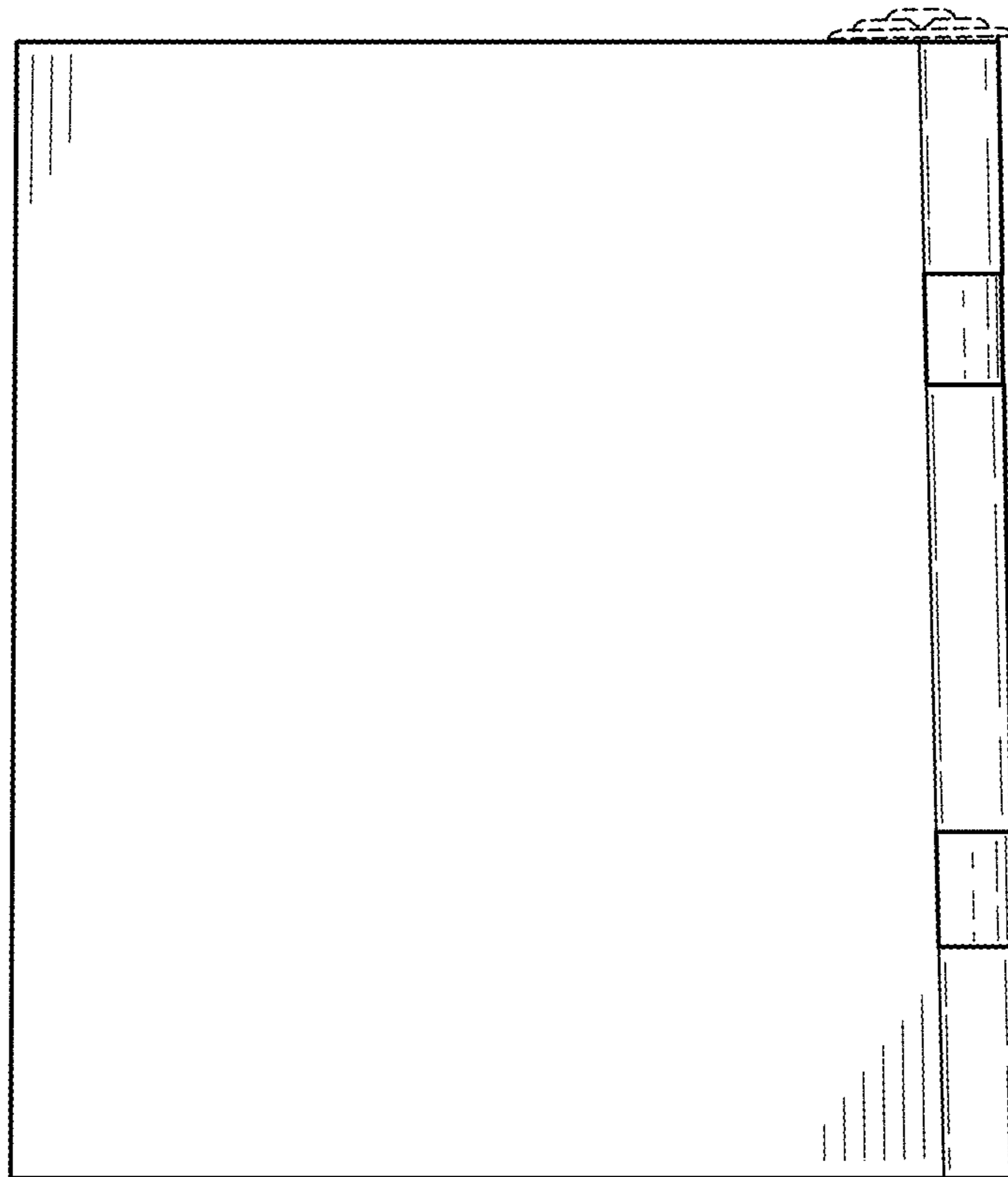


Fig.4

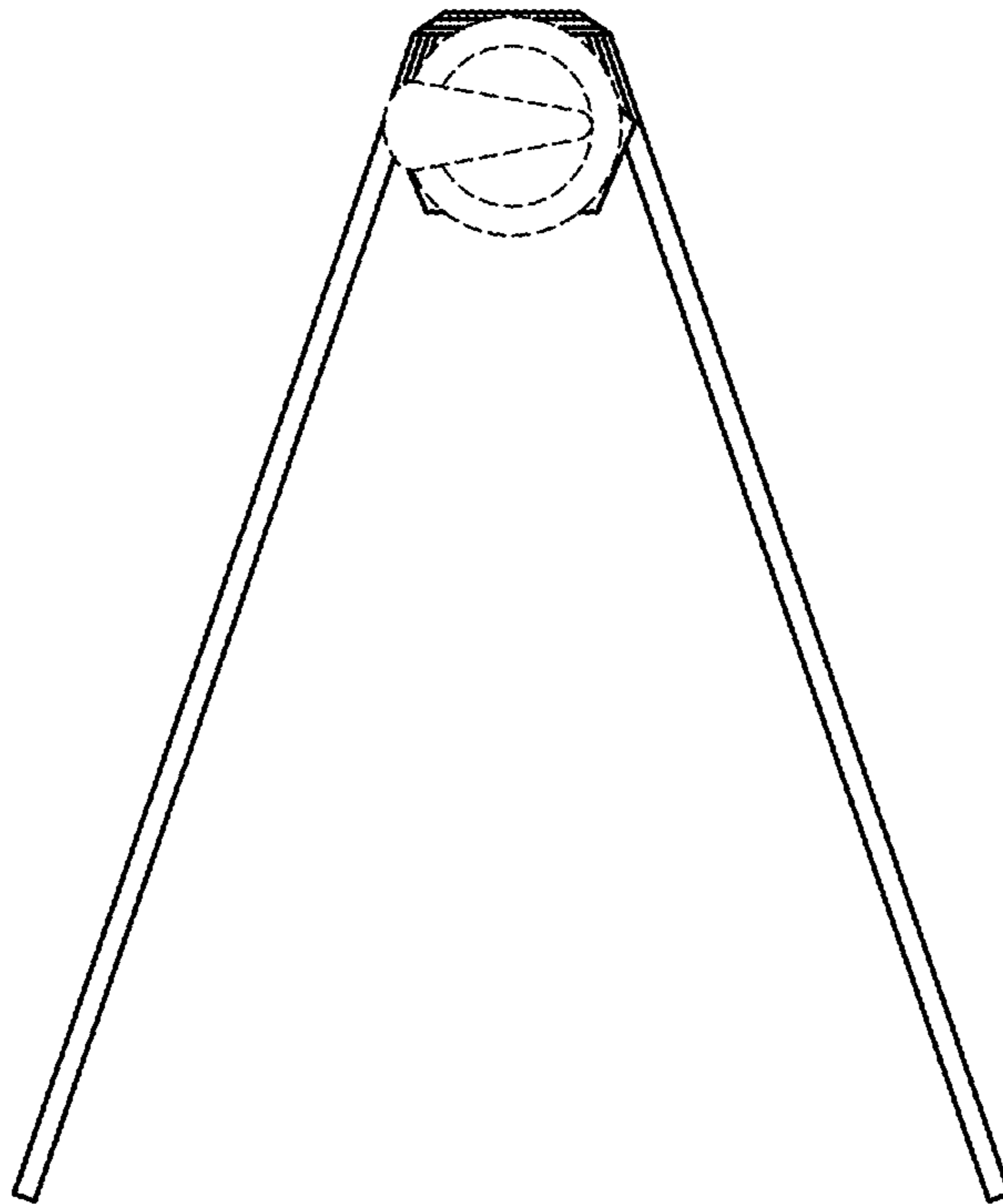


Fig.5

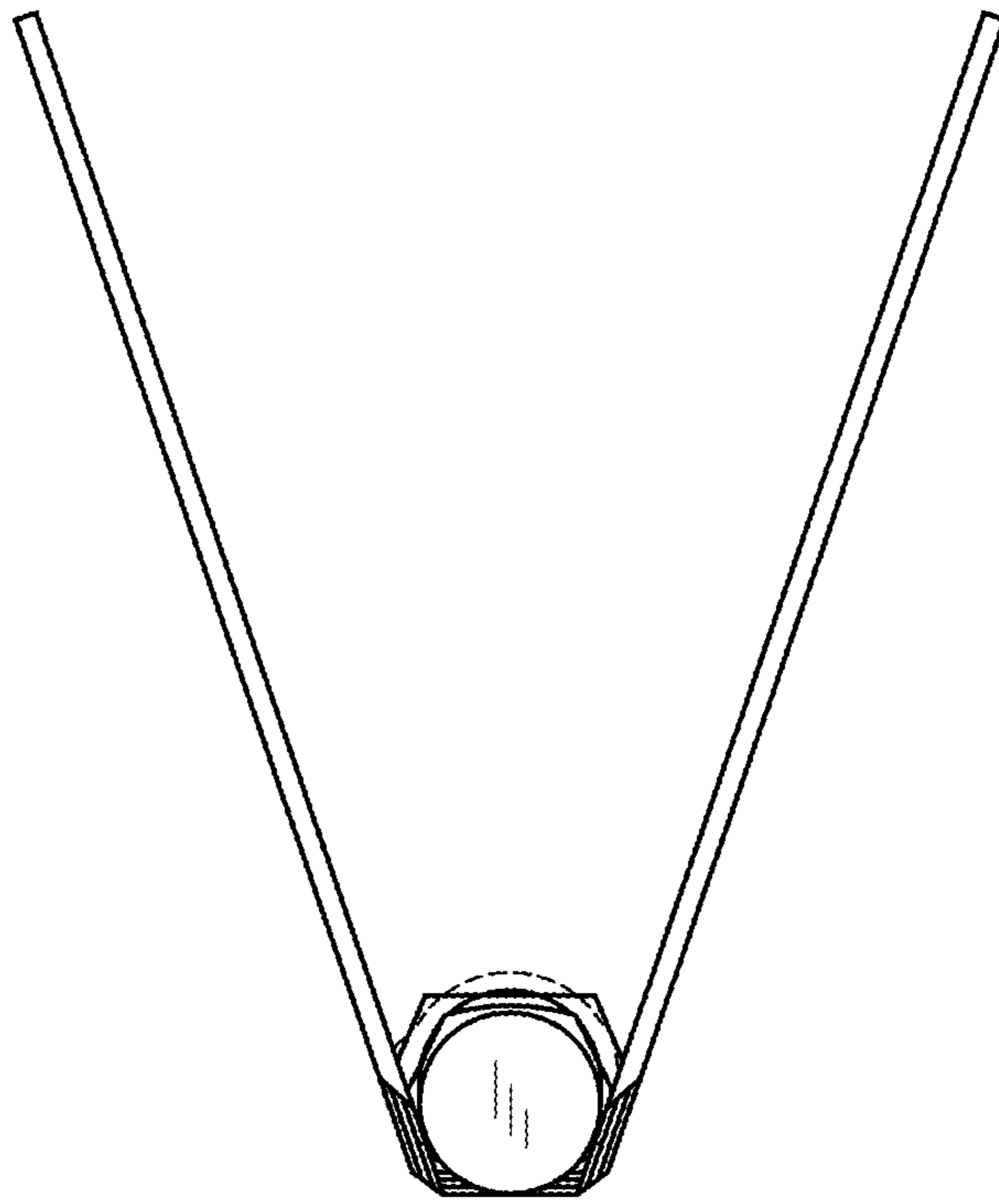


Fig.6



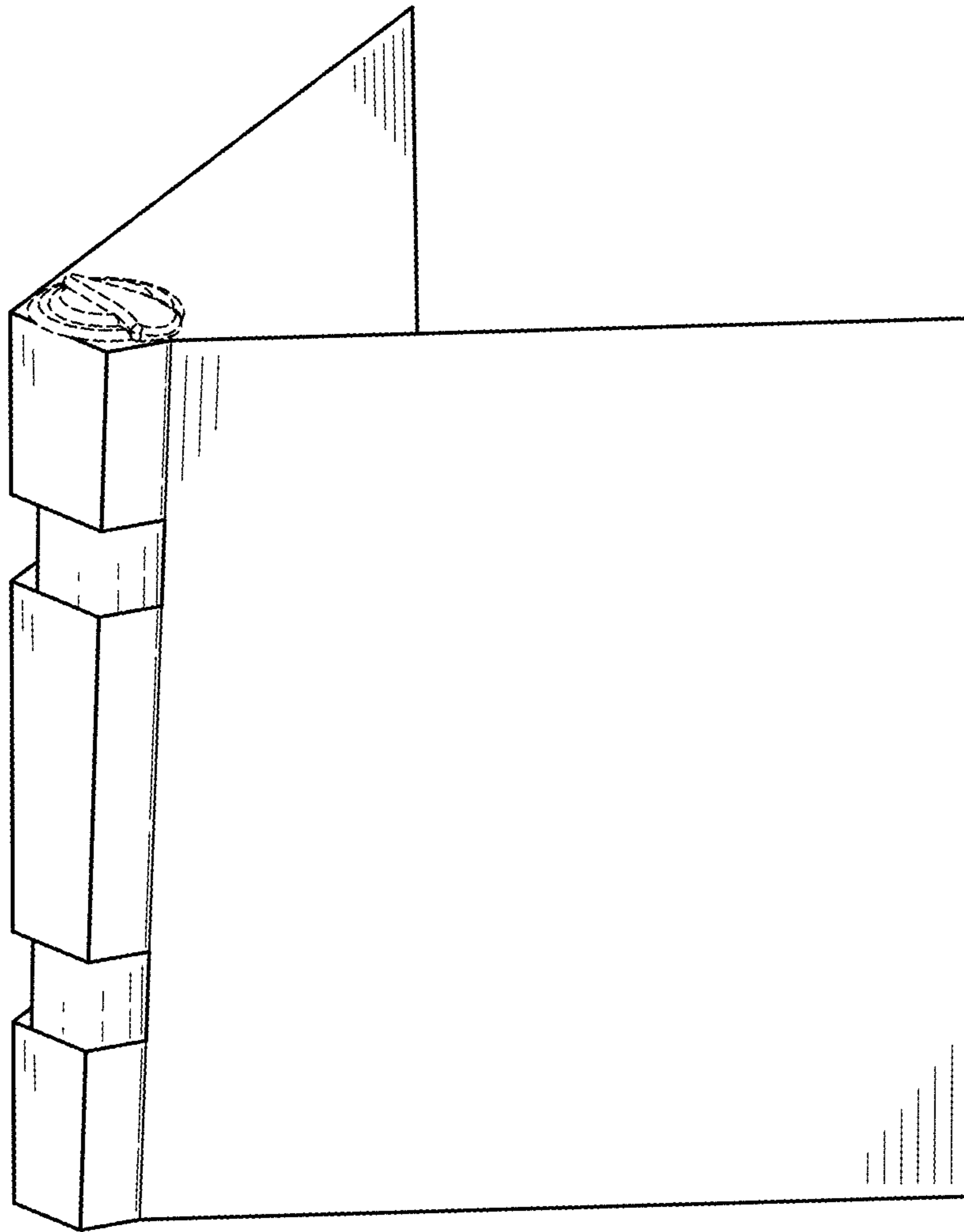


Fig.7

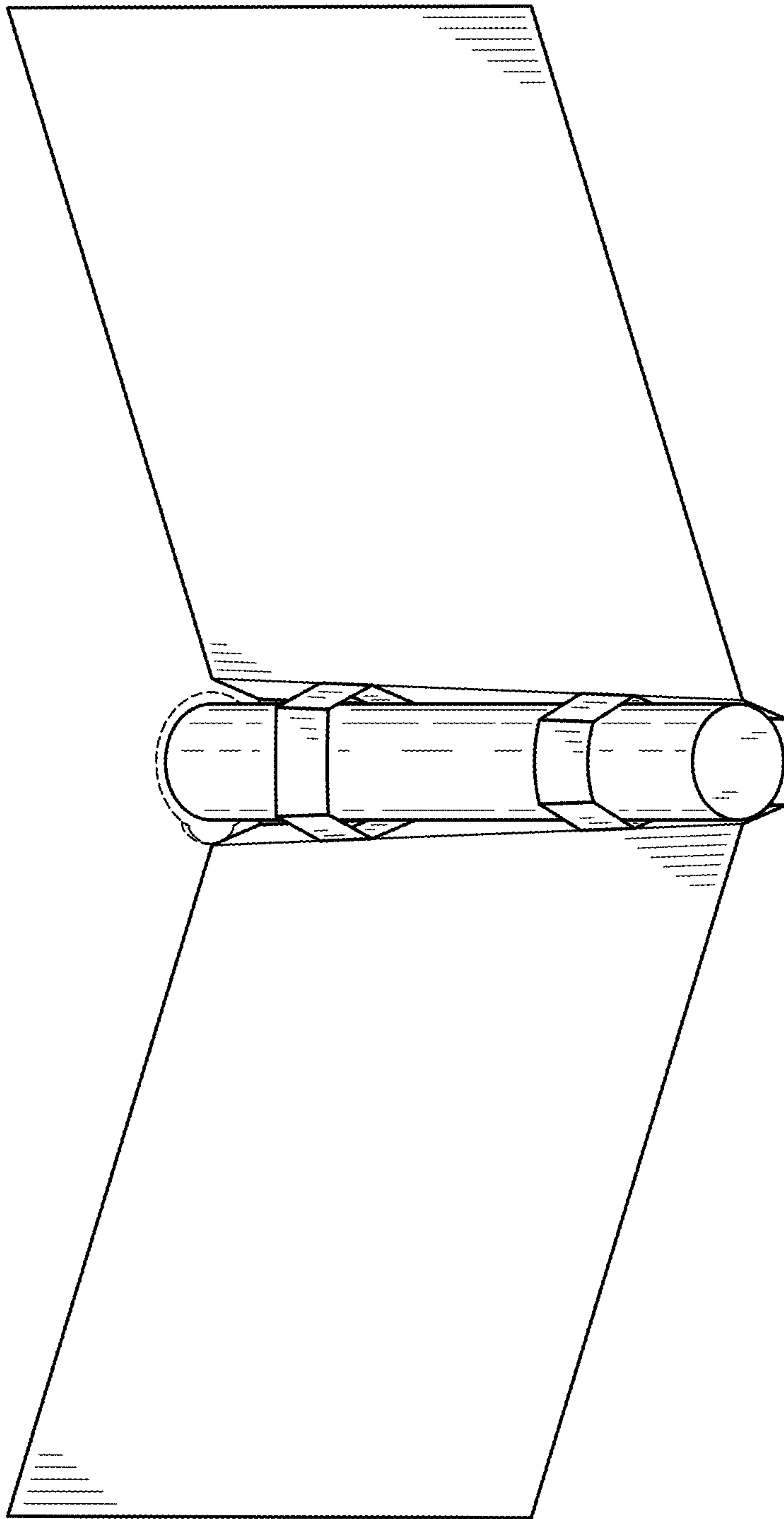


Fig.8

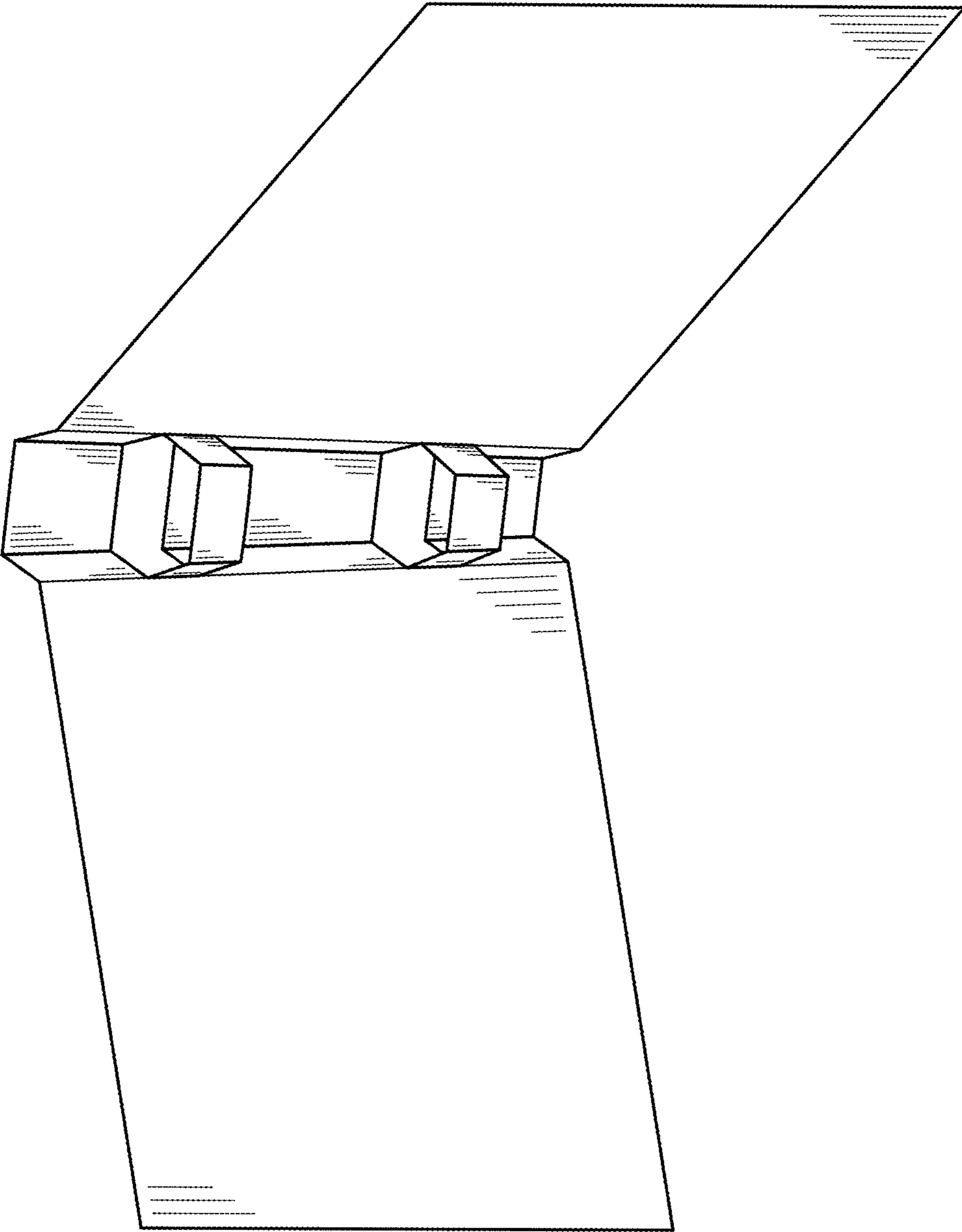


Fig.9

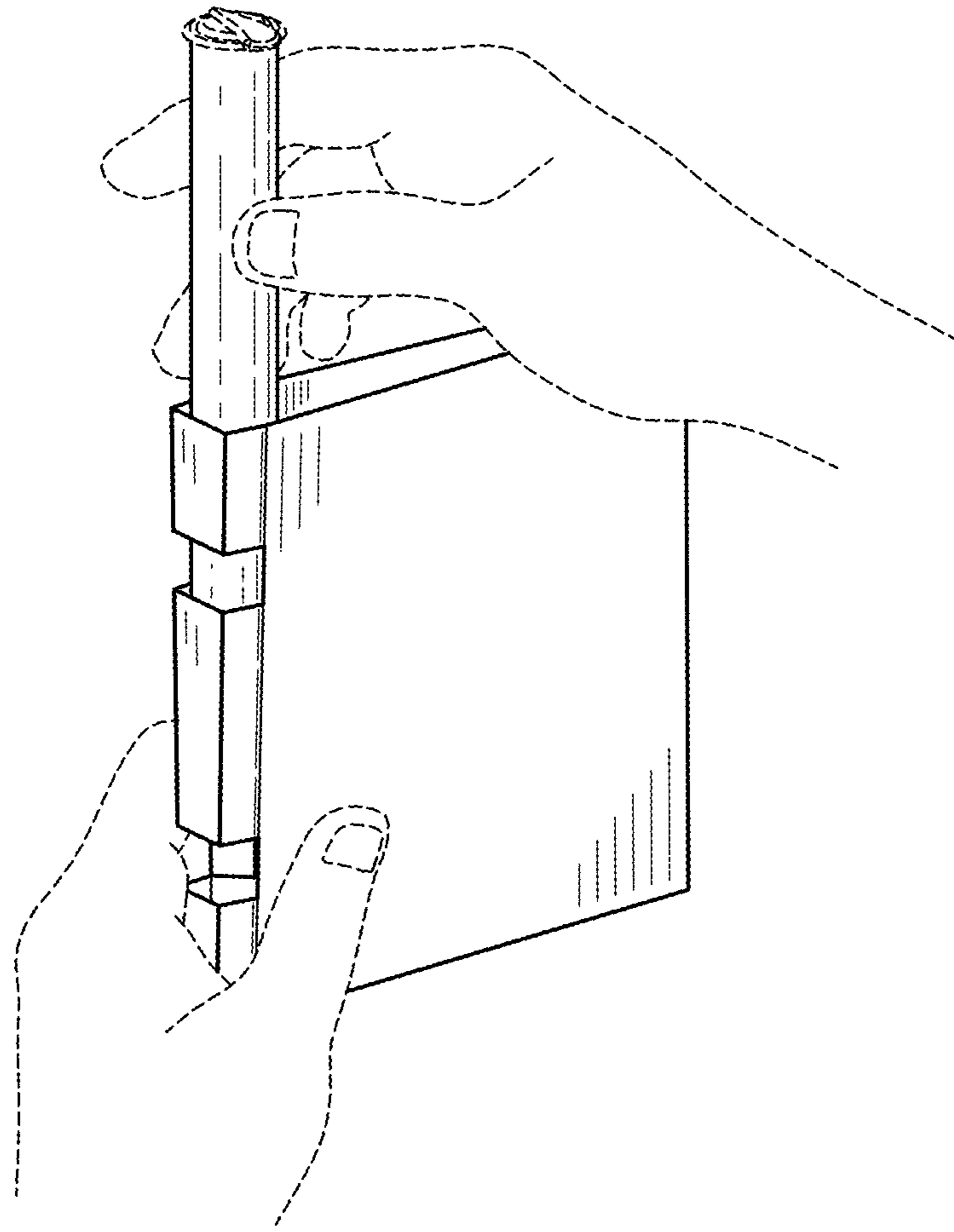


Fig.10