

US00D809932S

(12) **United States Design Patent**
Bruggink et al.

(10) **Patent No.:** **US D809,932 S**
(45) **Date of Patent:** **** Feb. 13, 2018**

(54) **PACKAGED TRANSACTION CARD PRODUCT**

- (71) Applicant: **TARGET BRANDS, INC.**,
Minneapolis, MN (US)
- (72) Inventors: **Ross Bruggink**, Minneapolis, MN
(US); **Ashley Hohnstein**, Minneapolis,
MN (US)
- (73) Assignee: **TARGET BRANDS, INC.**,
Minneapolis, MN (US)
- (**) Term: **15 Years**

- (21) Appl. No.: **29/586,070**
- (22) Filed: **Nov. 30, 2016**
- (51) **LOC (11) Cl.** **09-01**
- (52) **U.S. Cl.**
USPC **D9/722**; D9/415; D19/10
- (58) **Field of Classification Search**
USPC D9/414, 415, 416, 432, 433, 658, 722;
D3/201, 203.1, 273, 294, 298, 299, 300,
D3/304, 314; D19/1, 10
CPC B65D 5/2057; B65D 5/541; B65D 75/14;
B65D 83/0418; B65D 85/60; B65D
5/546; B65D 5/705; B65D 71/0085;
B65D 83/0847; B65D 5/545; B65D
75/5838; B65D 2571/0066
See application file for complete search history.

(56) **References Cited**

U.S. PATENT DOCUMENTS

610,346 A	9/1898	Downing	
D307,715 S *	5/1990	Kindler	D9/415
D373,382 S	9/1996	Nielsen et al.	
D432,570 S	10/2000	Donaldson	
6,457,649 B1 *	10/2002	Hileman	G06K 19/041 235/381

(Continued)

OTHER PUBLICATIONS

Photographs of Greeting Card with Gift Card, publicly available from Target stores in 2004 (3 pages).
(Continued)

Primary Examiner — Derrick Holland
Assistant Examiner — Lauren Calve
(74) *Attorney, Agent, or Firm* — Joann M. Seaton;
Griffiths & Seaton PLLC

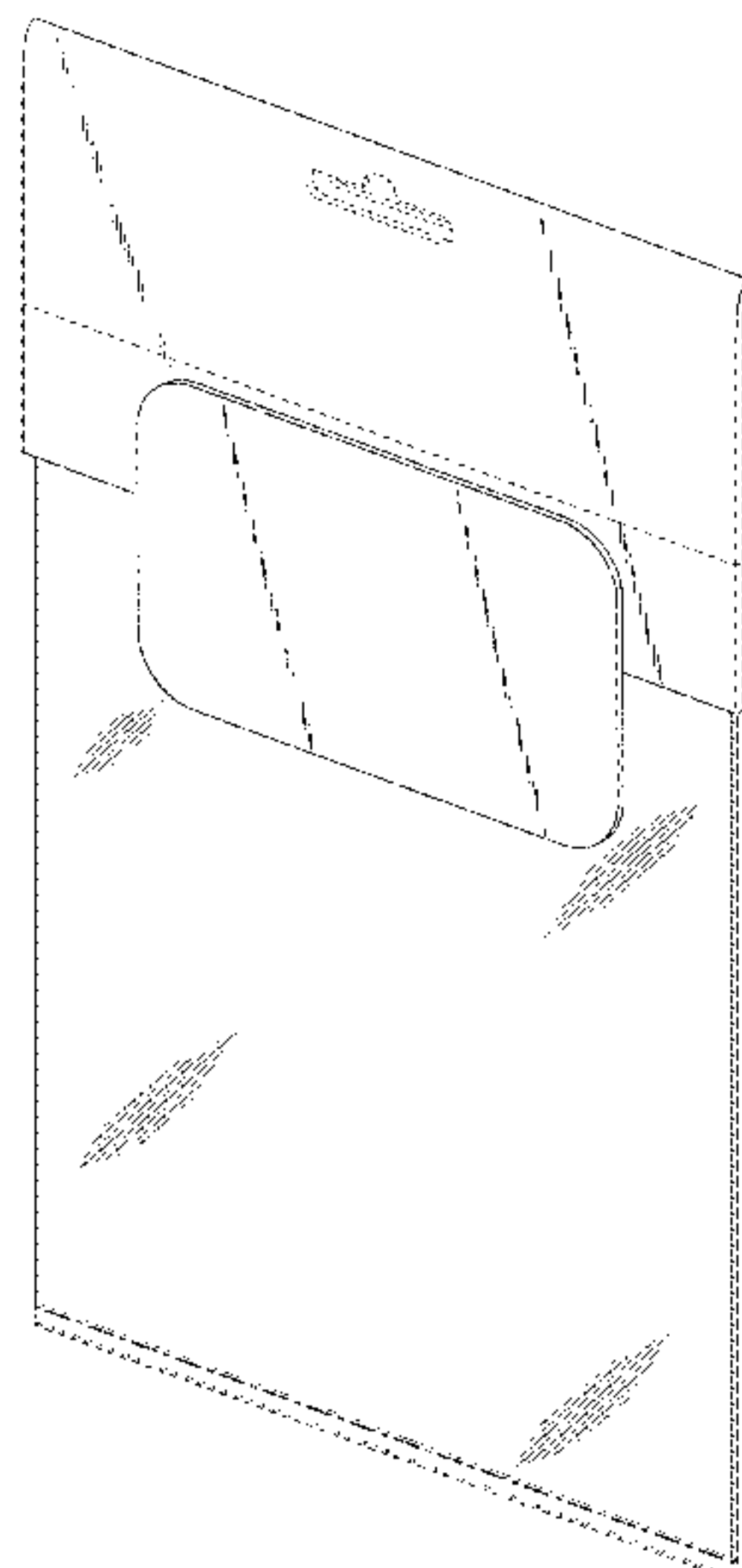
(57) **CLAIM**

The ornamental design for a packaged transaction card product, as shown and described.

DESCRIPTION

FIG. 1 is a top and front perspective view of a packaged transaction card product showing our new design;
 FIG. 2 is a front view thereof;
 FIG. 3 is a rear view thereof;
 FIG. 4 is a right side view thereof, the left side view being a mirror image of the right side view;
 FIG. 5 is a top view thereof; and
 FIG. 6 is a bottom view thereof.
 FIG. 7 is a top and front perspective view of a packaged transaction card product of FIG. 1 shown in an example of use with additional, unclaimed products, in the form of an envelope and a greeting card, within a bag portion of the packaged transaction card product;
 FIG. 8 is a front view thereof;
 FIG. 9 is a rear view thereof;
 FIG. 10 is a right side view thereof, the left side view being a mirror image of the right side view;
 FIG. 11 is a top view thereof; and
 FIG. 12 is a bottom view thereof.
 In the drawings, the broken lines depict unclaimed subject matter only and form no part of the claimed design. The features shown in long dash-short dash bolded broken lines indicate the bounds of the claimed design and otherwise form no part of the claimed design.

1 Claim, 8 Drawing Sheets



(56)

References Cited

U.S. PATENT DOCUMENTS

6,619,480 B2 9/2003 Smith
 D482,723 S 11/2003 Grier
 6,640,974 B2 11/2003 Malone
 6,732,459 B1 5/2004 Clark
 D493,829 S 8/2004 Foster
 7,011,249 B2 3/2006 Tang
 7,024,807 B2 4/2006 Street
 7,222,446 B2 5/2007 Foster
 D569,902 S 5/2008 Chang et al.
 7,584,558 B2 9/2009 Boyd et al.
 7,717,347 B2 5/2010 Boyd et al.
 D622,763 S 8/2010 Lamm et al.
 D632,330 S 2/2011 Qiao et al.
 D632,734 S 2/2011 Qiao et al.
 7,891,122 B2 2/2011 Lauer et al.
 7,900,827 B2 3/2011 Albers et al.
 D649,587 S 11/2011 Nemeth et al.
 D656,230 S 3/2012 Robinson et al.
 8,181,789 B1* 5/2012 Casella A45C 11/182
 206/39.7
 8,220,799 B2 7/2012 Pompei et al.
 8,231,058 B2 7/2012 Eriksen et al.
 D665,446 S 8/2012 Mayer et al.
 8,397,407 B2 3/2013 Lauer et al.
 8,478,647 B2 7/2013 Albrecht et al.
 D690,767 S 10/2013 Lindley
 8,544,757 B2 10/2013 Stahl et al.
 8,550,463 B2 10/2013 Pompei et al.
 D695,340 S 12/2013 Shlonsky et al.
 8,701,987 B2 4/2014 Albers et al.

D720,210 S * 12/2014 Mayer D9/415
 D720,399 S * 12/2014 Ehrlich D19/10
 D731,587 S 6/2015 Peters et al.
 D740,690 S * 10/2015 Glass D9/722
 D744,032 S * 11/2015 Glass D19/9
 D767,022 S 9/2016 Peters et al.
 D774,881 S * 12/2016 Glass D9/414
 D785,334 S * 5/2017 Holt D3/318
 D786,059 S * 5/2017 Lee D9/415
 D790,360 S * 6/2017 Down D9/702
 D797,574 S * 9/2017 Dascoli D9/415
 2001/0022446 A1* 9/2001 Klure B42D 15/025
 283/62
 2002/0143697 A1 10/2002 Gotfried
 2004/0146688 A1* 7/2004 Treat B42D 15/042
 428/78
 2007/0246527 A1* 10/2007 Tang B65D 75/00
 235/380
 2013/0213827 A1* 8/2013 Hammad B65D 81/2023
 206/204
 2014/0061418 A1* 3/2014 Bowman B65D 73/0064
 248/342
 2014/0310114 A1 10/2014 Fowler

OTHER PUBLICATIONS

Photographs of Gift Card with Sleeve, publicly available from Target stores in 2008 (3 pages).
 Photographs of Gift Card Envelope, publicly available from Target stores in 2012 (2 pages).

* cited by examiner

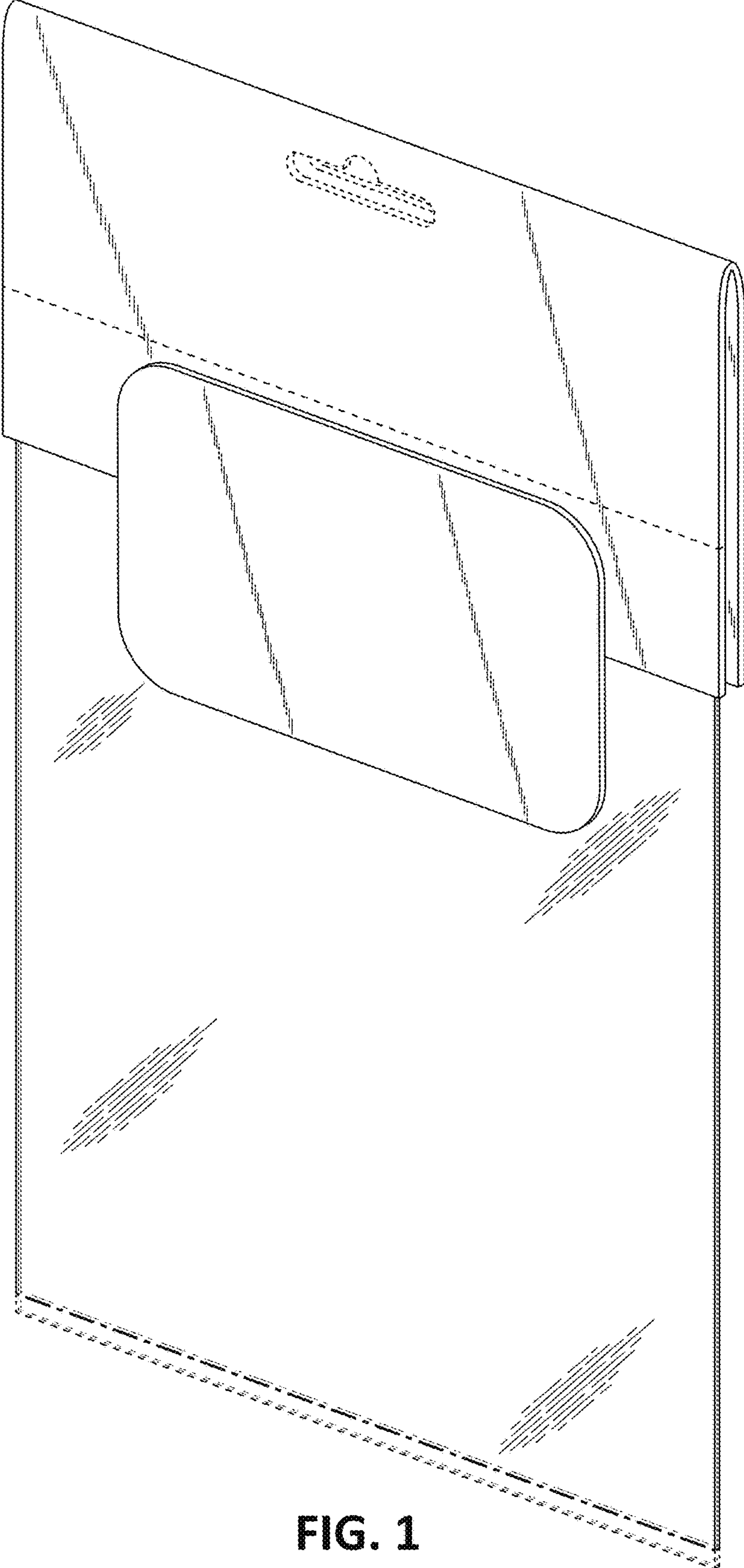


FIG. 1

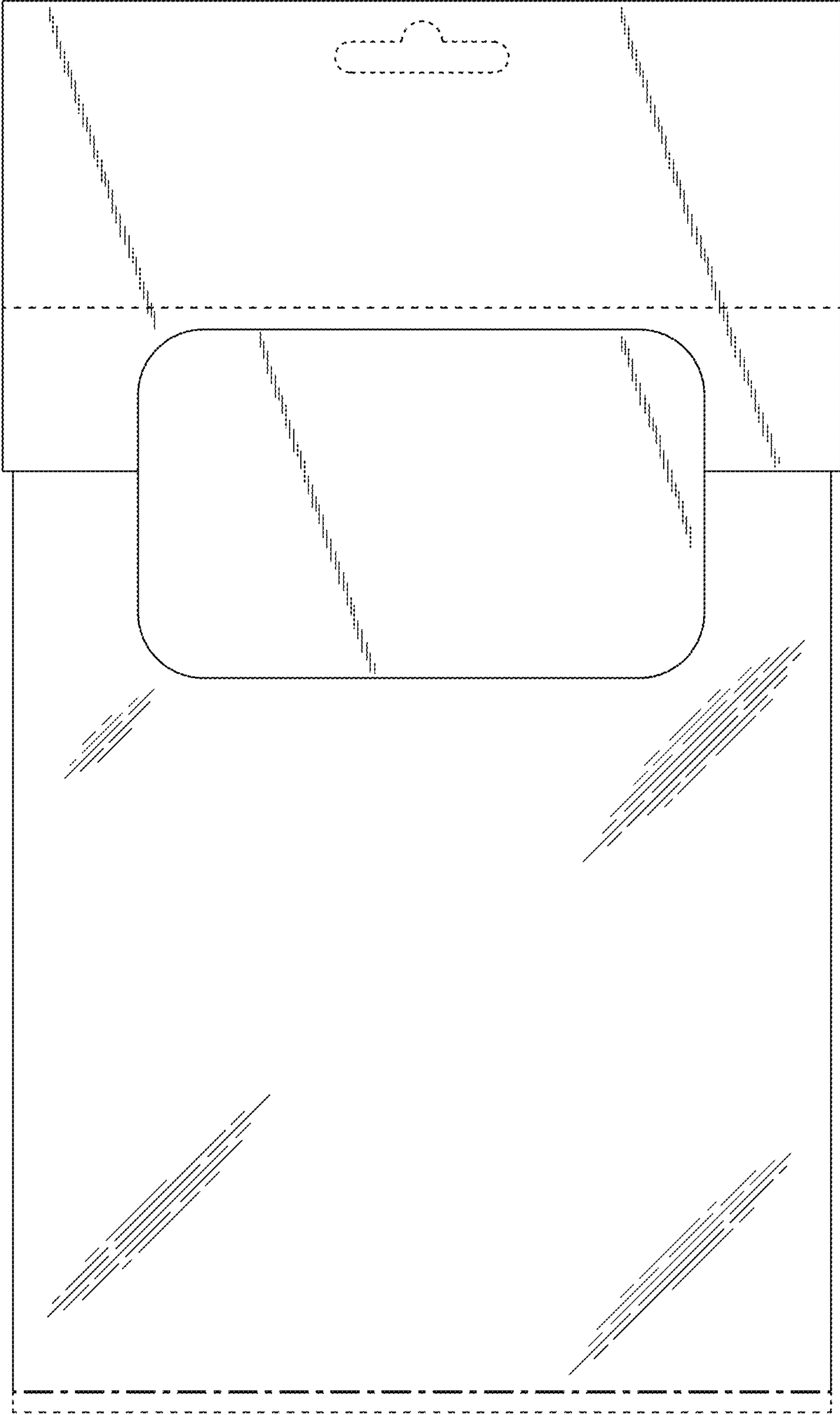


FIG. 2

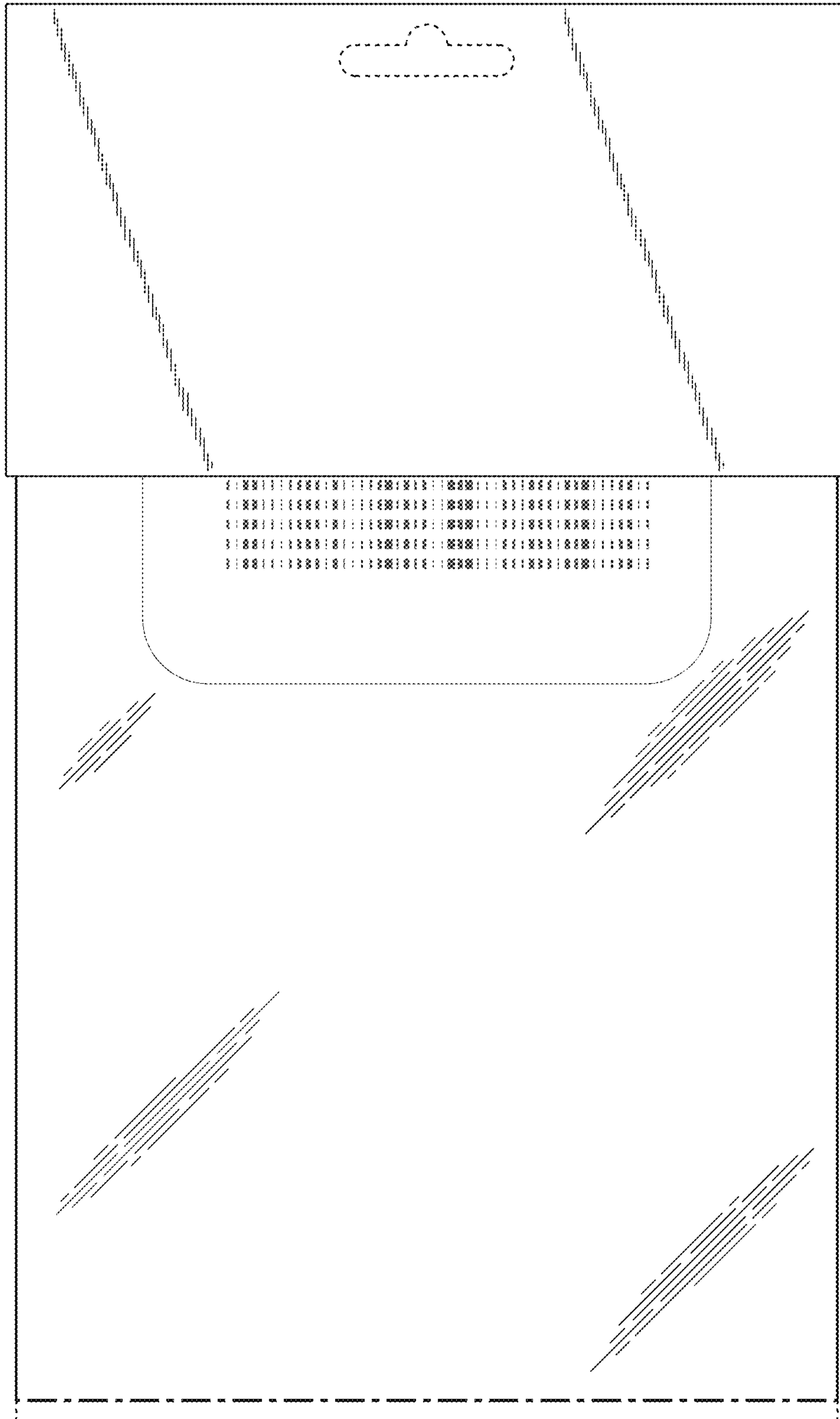


FIG. 3

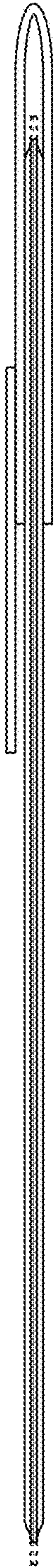


FIG. 4



FIG. 5

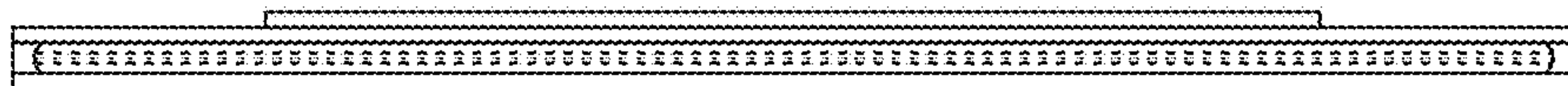


FIG. 6

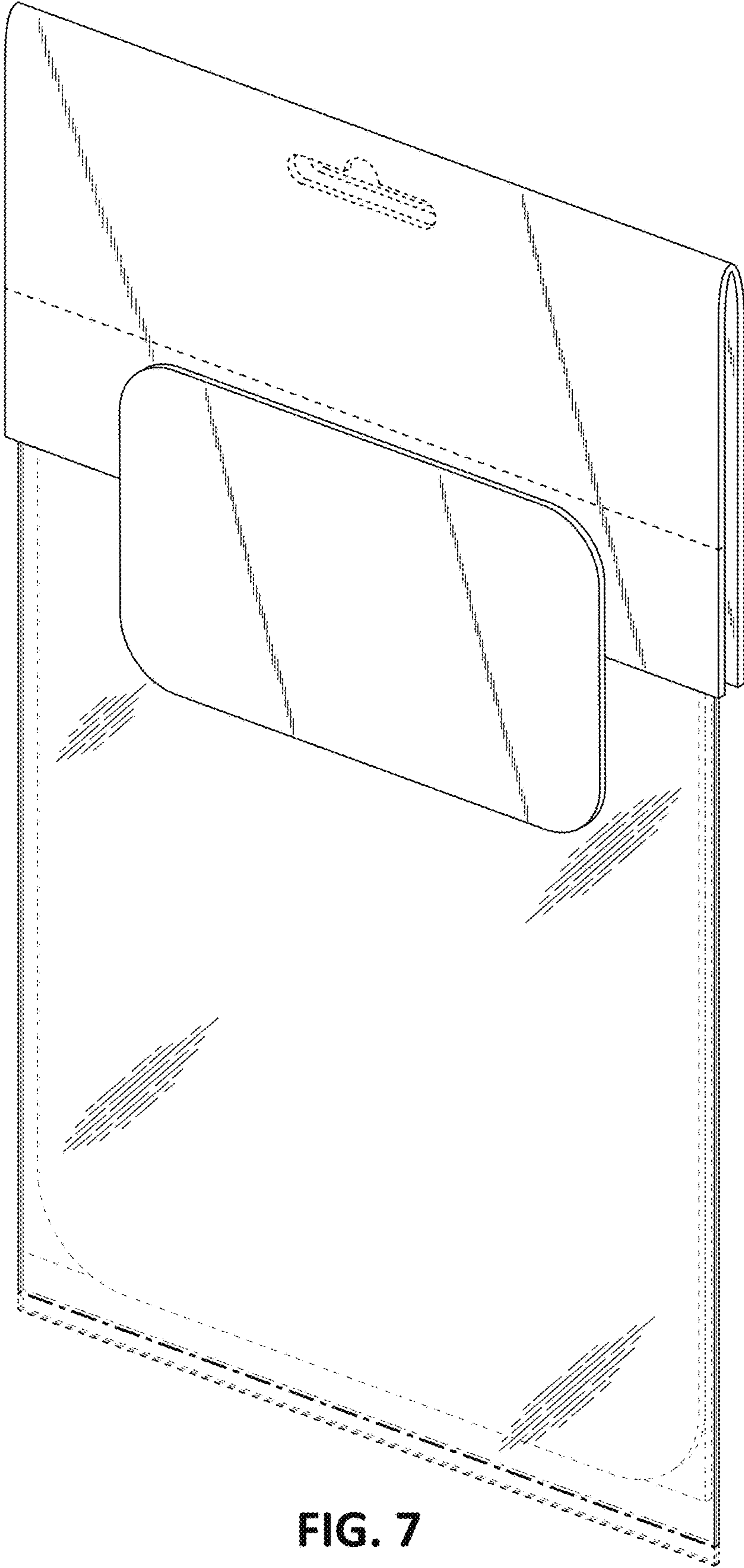


FIG. 7

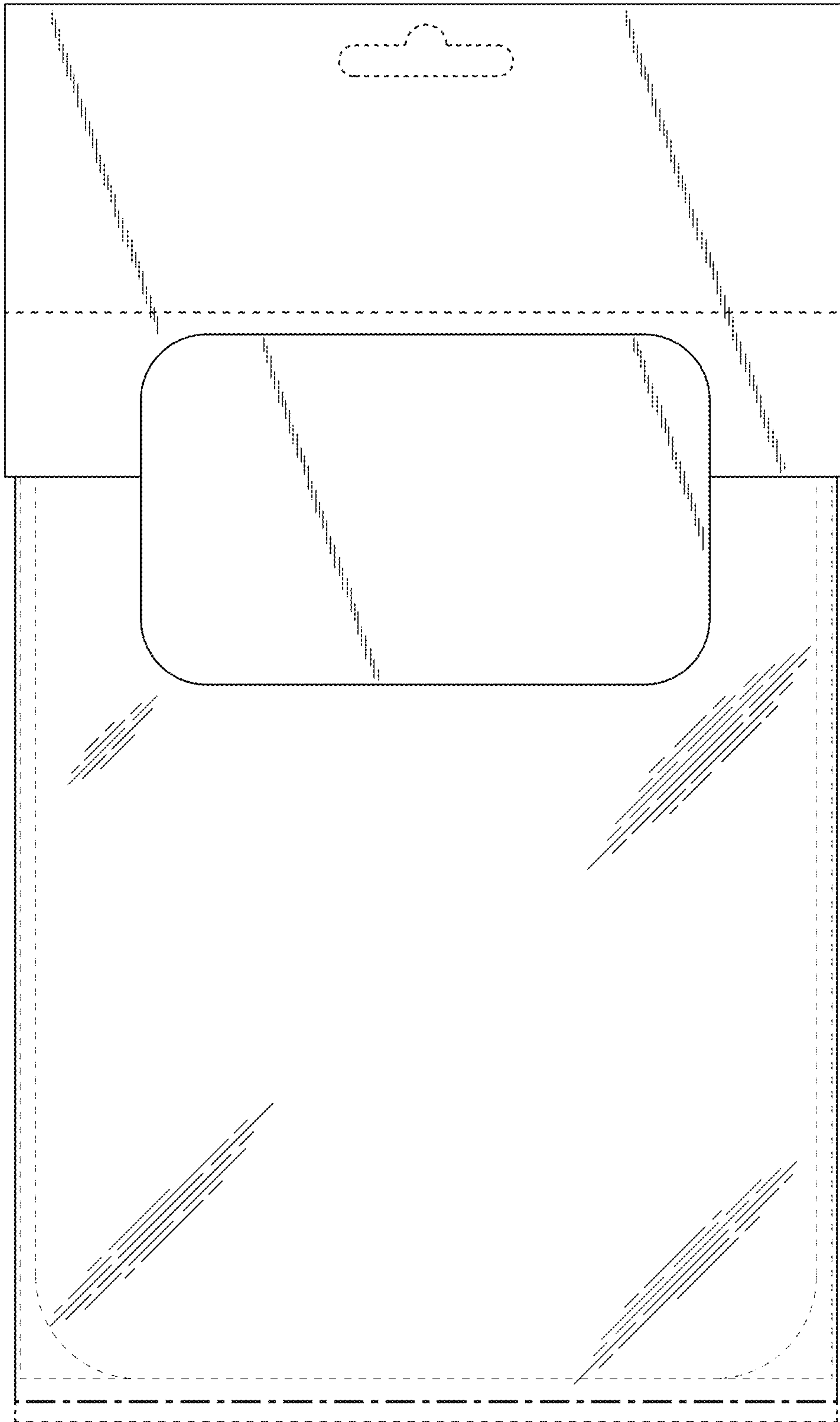


FIG. 8

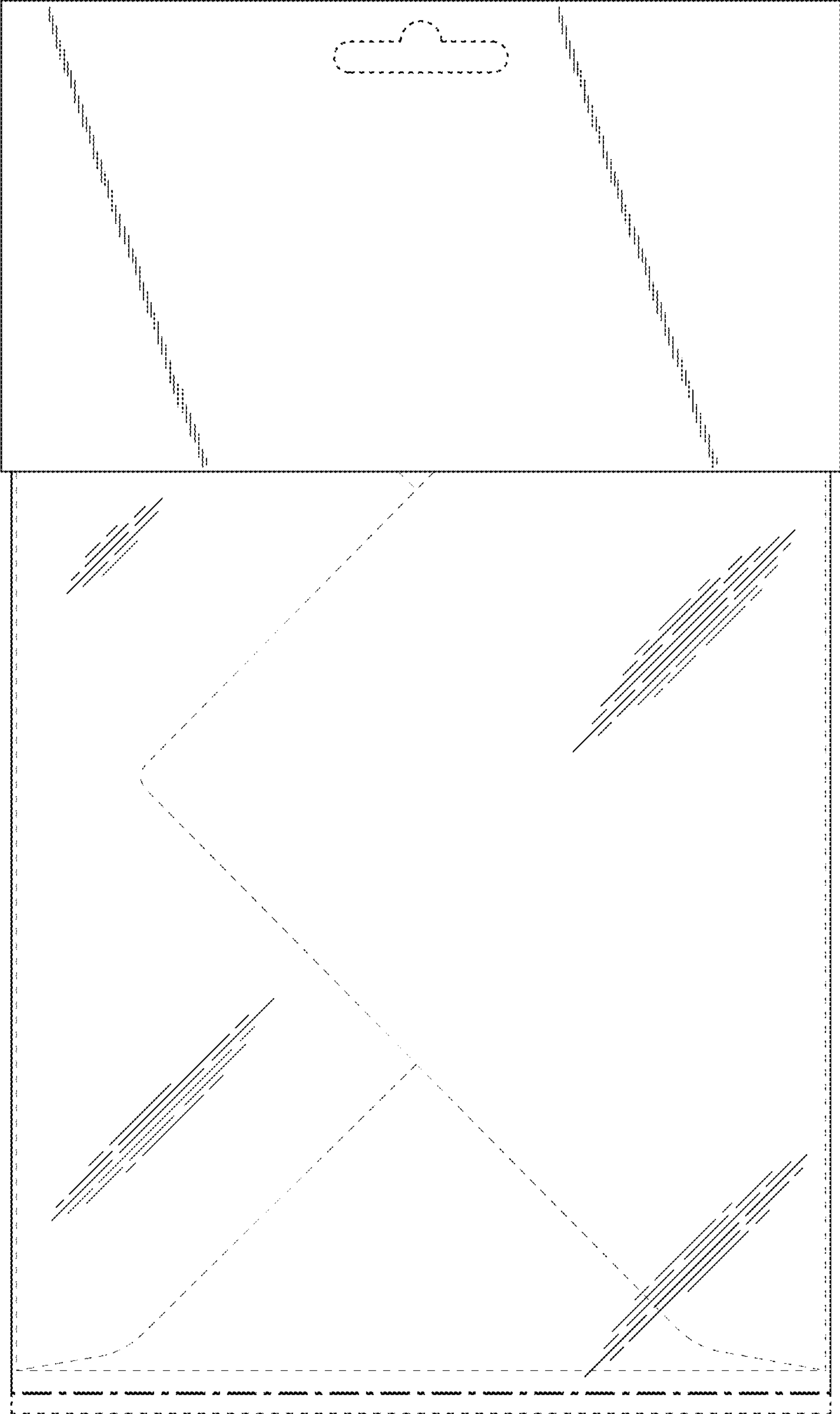


FIG. 9

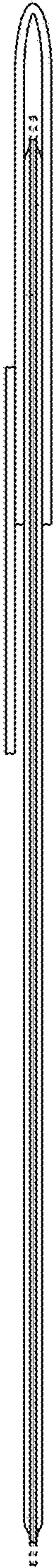


FIG. 10



FIG. 11



FIG. 12