



US00D809927S

(12) **United States Design Patent**
Lau et al.

(10) **Patent No.:** **US D809,927 S**

(45) **Date of Patent:** **** Feb. 13, 2018**

(54) **PACKAGE**

CPC B65D 5/4258; B65D 81/60; B65D 81/365;
B65D 81/366; B65D 81/368; B65D
2203/00; B65D 2203/02

(71) Applicants: **William Wai-Leung Lau**, Toronto
(CA); **Timotheus Anton Gmeiner**,
Toronto (CA); **Fergal Kerins**, Toronto
(CA)

See application file for complete search history.

(56)

References Cited

U.S. PATENT DOCUMENTS

(72) Inventors: **William Wai-Leung Lau**, Toronto
(CA); **Timotheus Anton Gmeiner**,
Toronto (CA); **Fergal Kerins**, Toronto
(CA)

D63,381 S *	11/1923	Turpin	D20/29
D368,031 S *	3/1996	Chahed	D9/432
D616,462 S *	5/2010	Loken	D14/492
D690,729 S *	10/2013	Abratowski	D14/489
D752,637 S *	3/2016	Yun	D14/489

(73) Assignee: **SYNAPTIVE MEDICAL**
(BARBADOS) INC., Bridgetown (BB)

* cited by examiner

(**) Term: **15 Years**

Primary Examiner — Sandra L Morris

(74) *Attorney, Agent, or Firm* — Perry + Currier Inc.

(21) Appl. No.: **29/570,080**

(57) **CLAIM**

We claim the ornamental design for a package, as shown and described.

(22) Filed: **Jul. 5, 2016**

(51) **LOC (11) Cl.** **09-01**

(52) **U.S. Cl.**

USPC **D9/679**; D9/434; D9/600

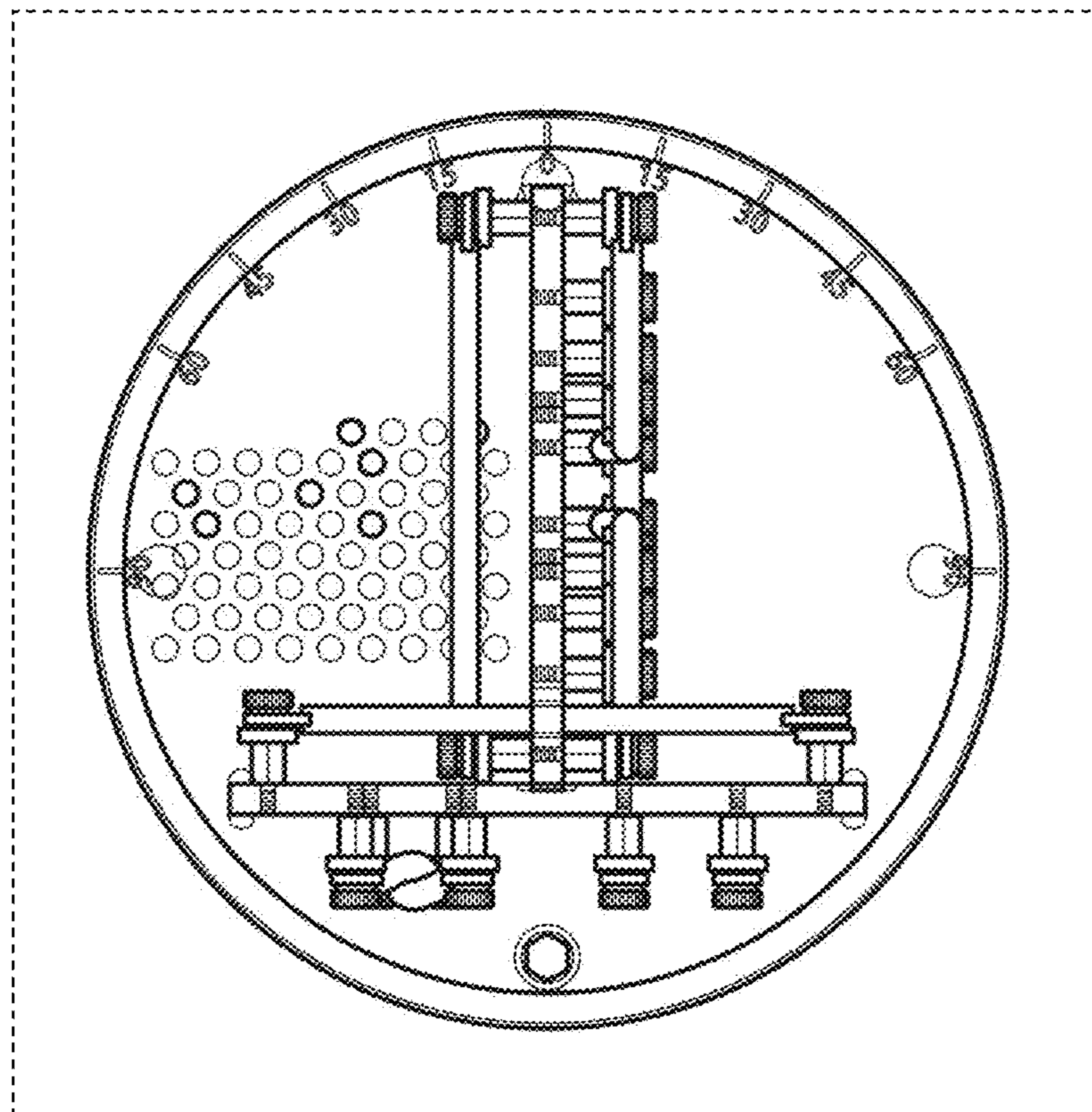
(58) **Field of Classification Search**

USPC D3/270, 271.1–271.4; D7/510, 514–520,
D7/599, 604, 613, 619.2, 623, 628;
D9/600, 671, 679, 414–434, 500–516;
206/457, 459.5, 527; 215/381–384, 400;
D14/485, 489, 492; D20/23, 28, 29

DESCRIPTION

FIG. 1 is a front plan view of an enlarged view of the package, showing our new design; and, FIG. 2 is a front plan view of the unfolded package thereof. The broken lines are for illustrative purposes only and form no part of the claimed design.

1 Claim, 2 Drawing Sheets



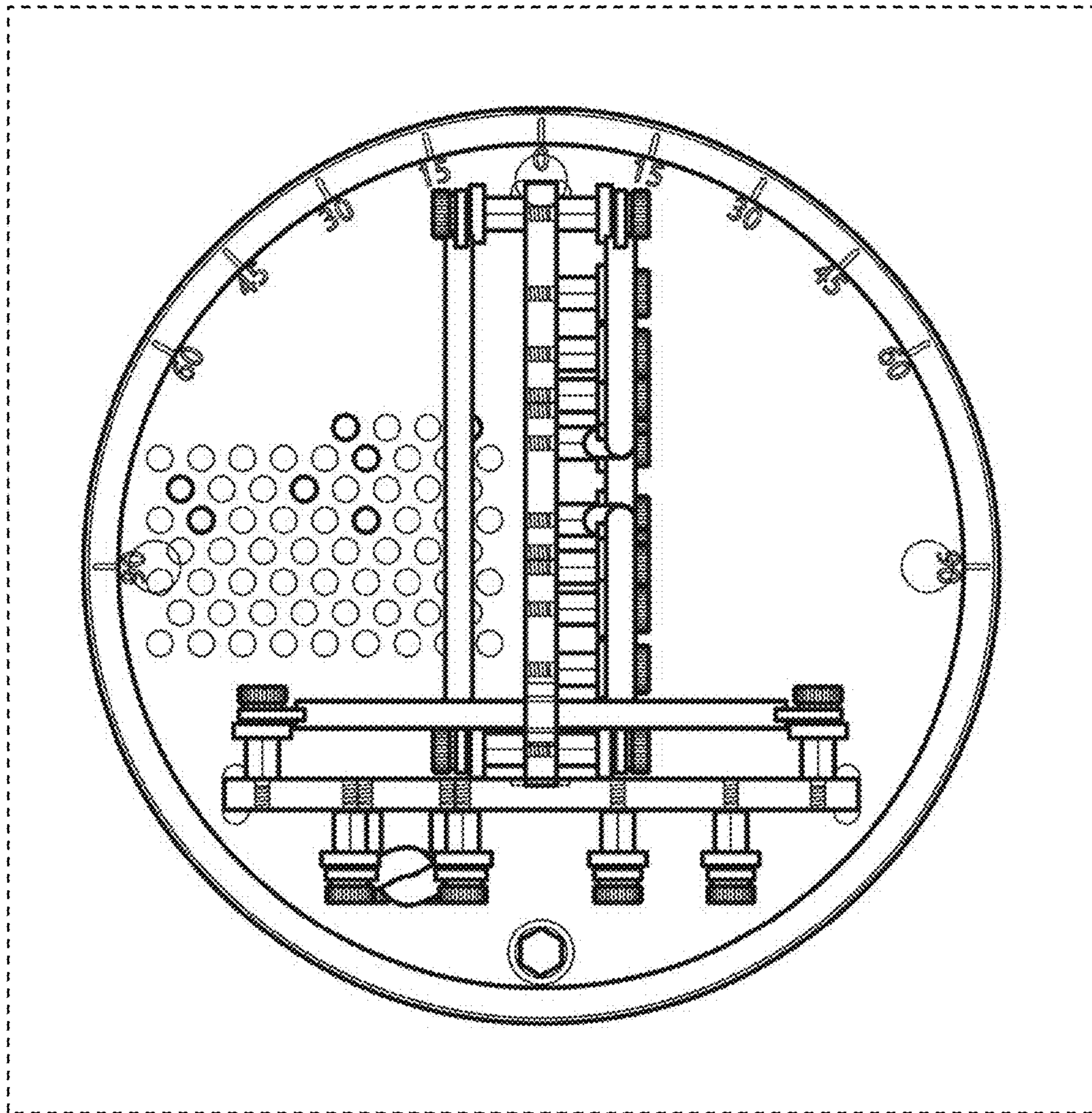


FIG. 1

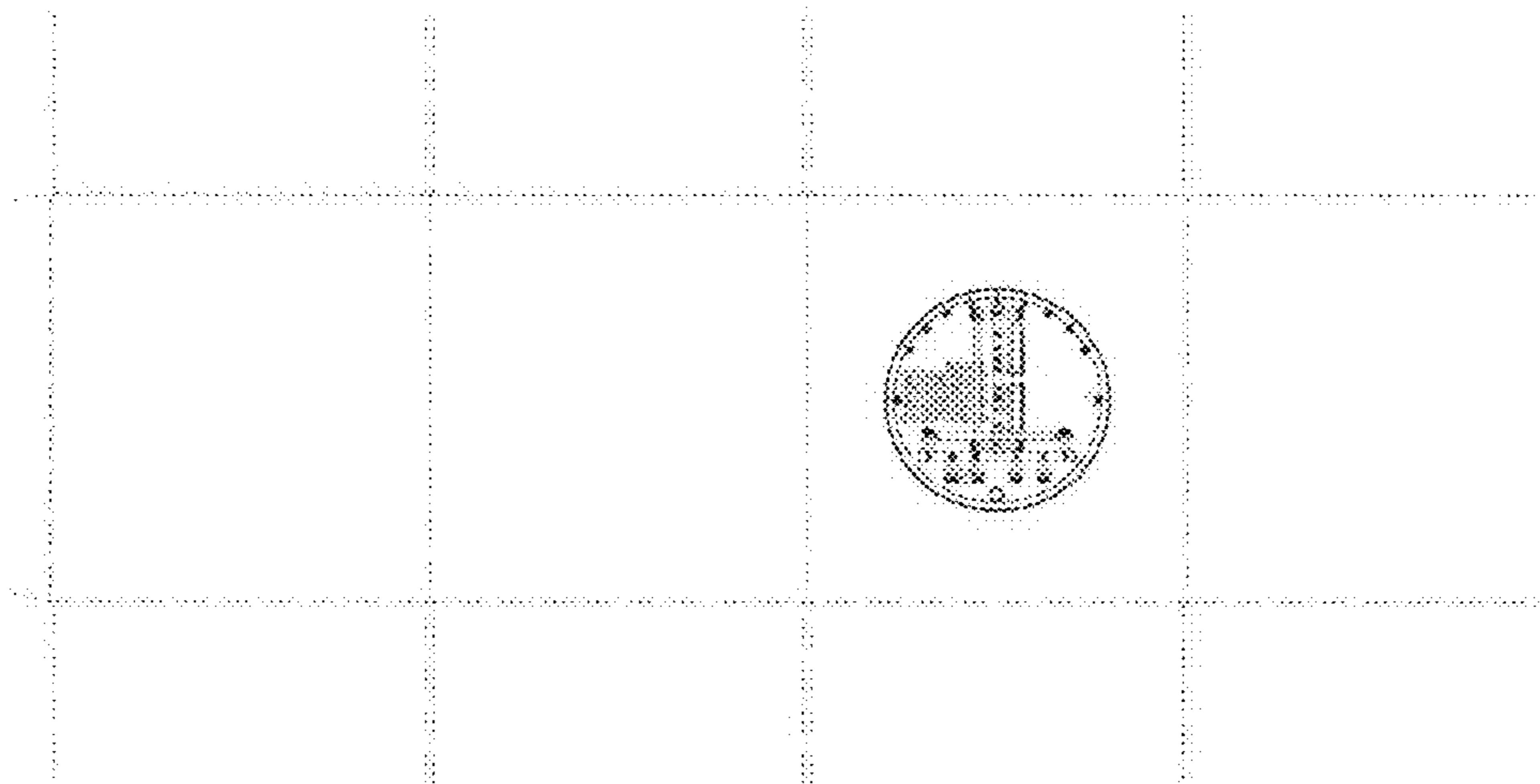


FIG. 2