



US00D809925S

(12) **United States Design Patent**
Cossu

(10) **Patent No.:** **US D809,925 S**

(45) **Date of Patent:** **** Feb. 13, 2018**

(54) **MULTIFACETED BOTTLE**

(71) Applicant: **BORMIOLI ROCCO S.p.A.**, Fidenza
(Parma) (IT)

(72) Inventor: **Gabriele Cossu**, Capoterra (IT)

(73) Assignee: **BORMIOLI ROCCO S.p.A.**, Fidenza
(Parma) (IT)

(**) Term: **15 Years**

(21) Appl. No.: **29/581,920**

(22) Filed: **Oct. 24, 2016**

(51) **LOC (11) Cl.** **09-01**

(52) **U.S. Cl.**
USPC **D9/544**; D9/546

(58) **Field of Classification Search**
USPC D9/516, 519, 520, 521, 527, 528, 529,
D9/530, 531, 533, 540, 542, 550, 553,
D9/556, 557, 558, 559, 563, 564, 565,
D9/566, 567, 536, 537, 538, 539, 541,
D9/543, 522; D3/202, 203.1, 205;
D4/114; D6/515, 542; D7/300, 300.1,
D7/598

CPC B65D 2501/0009; B65D 2501/00; B65D
23/00; B65D 1/0223; B65D 1/00; B65D
1/02

See application file for complete search history.

(56) **References Cited**

U.S. PATENT DOCUMENTS

D96,423 S *	7/1935	Smith	D9/566
D211,625 S *	7/1968	Du Pree	D7/300
D271,282 S *	11/1983	Thrush	D7/300
D271,855 S *	12/1983	Thrush	D7/300
D369,558 S *	5/1996	Heinz	D9/546
D370,634 S *	6/1996	Mero	D9/538
D384,586 S *	10/1997	Peek	D9/520
D395,826 S *	7/1998	Hygaard, Sr.	D9/520
D407,318 S *	3/1999	Finlay	D9/538

D492,201 S *	6/2004	Pritchett	D9/537
D595,590 S *	7/2009	Lablaine	D9/516
D603,712 S *	11/2009	James	D9/538
D603,713 S *	11/2009	James	D9/538
D603,714 S *	11/2009	James	D9/538
D605,950 S *	12/2009	James	D9/538
D644,111 S *	8/2011	Williams	D9/550
D644,112 S *	8/2011	Williams	D9/550
D644,113 S *	8/2011	Williams	D9/550
D644,114 S *	8/2011	Williams	D9/550
D652,730 S *	1/2012	Yourist	D9/538
D653,118 S *	1/2012	Asano	D9/520

(Continued)

OTHER PUBLICATIONS

Bormioli Rocco Cassiopea Whisky / Spirit Decanter & Set of 6 Glasses, [online], [site visited Aug. 23, 2017]. Available from Internet, URL:<http://www.ebay.co.uk/itm/Bormioli-Rocco-Cassiopea-Whisky-Spirit-Deccanter-Set-of-6-Glasses/292089273165>.*

(Continued)

Primary Examiner — Caron D Veynar

Assistant Examiner — Katrina N Gonzalez

(74) *Attorney, Agent, or Firm* — Myron Greenspan;
Lackebach Siegel LLP

(57) **CLAIM**

I claim the ornamental design for a multifaceted bottle, as shown.

DESCRIPTION

FIG. 1 is a front elevational view of a multifaceted bottle showing my new design;

FIG. 2 is a rear elevational view thereof;

FIG. 3 is a left side elevational view thereof;

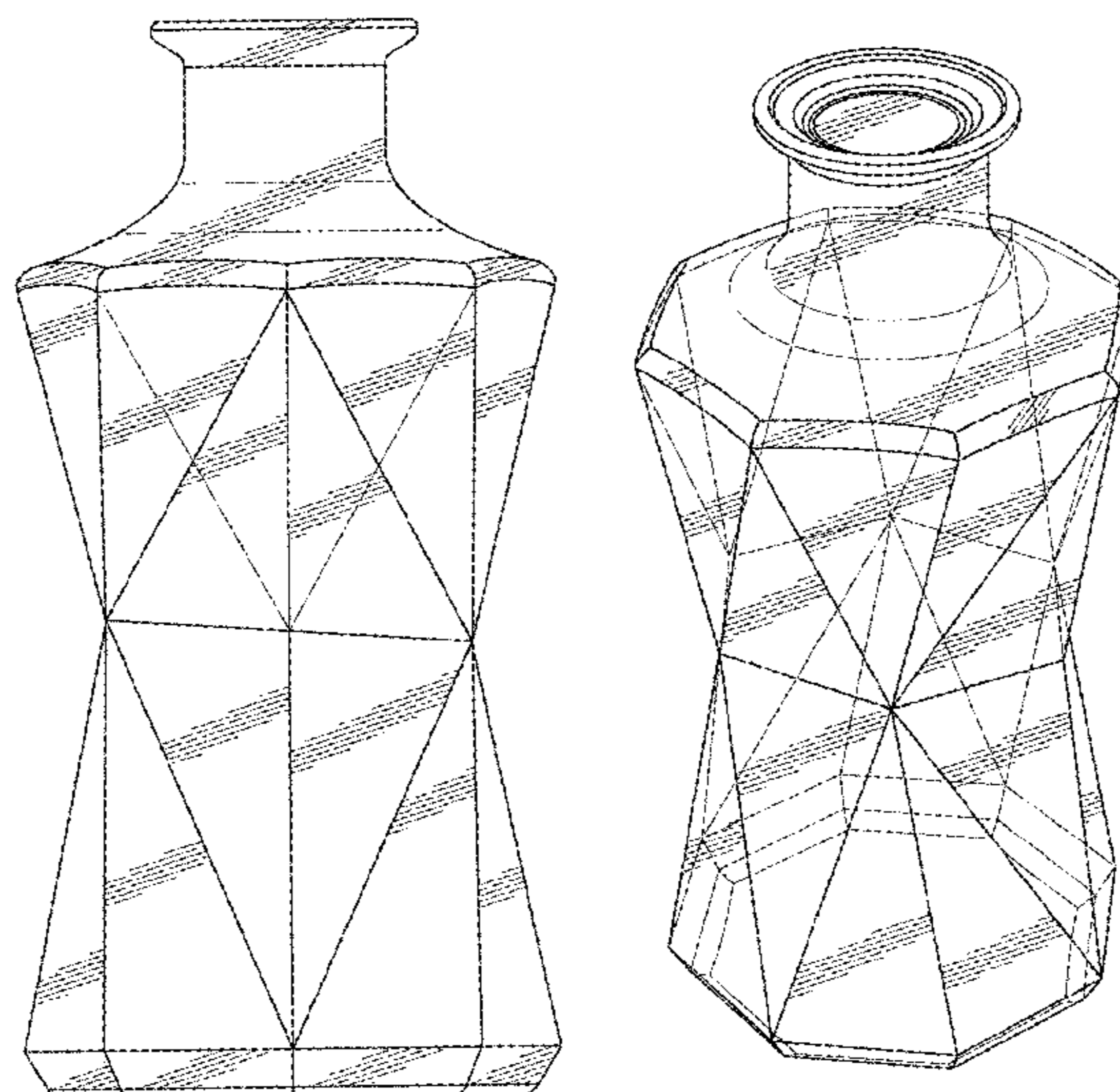
FIG. 4 is a right side elevational view thereof;

FIG. 5 is a top plan view thereof;

FIG. 6 is a bottom plan view thereof; and,

FIG. 7 is a perspective view thereof.

1 Claim, 6 Drawing Sheets



(56)

References Cited

U.S. PATENT DOCUMENTS

D671,417 S * 11/2012 Kornestedt D9/546
D705,071 S * 5/2014 Abend D9/538
D726,539 S * 4/2015 Paredes D9/500
D748,987 S * 2/2016 Gagliardi D9/541
D777,512 S * 1/2017 Lu D7/396.4
D781,156 S * 3/2017 Minakuchi D9/538
D781,713 S * 3/2017 Papernik D9/566
D782,318 S * 3/2017 Sanghavi D9/541
D790,975 S * 7/2017 Allan D9/542
D791,605 S * 7/2017 Friesen D9/559

OTHER PUBLICATIONS

Spirit Decanter Set of 6 Glasses, [online], [site visited Aug. 23, 2017]. Available from Internet, URL:https://www.amazon.co.uk/dp/B06Y46HLKH/ref=asc_df_B06Y46HLKH45239225/.*

* cited by examiner

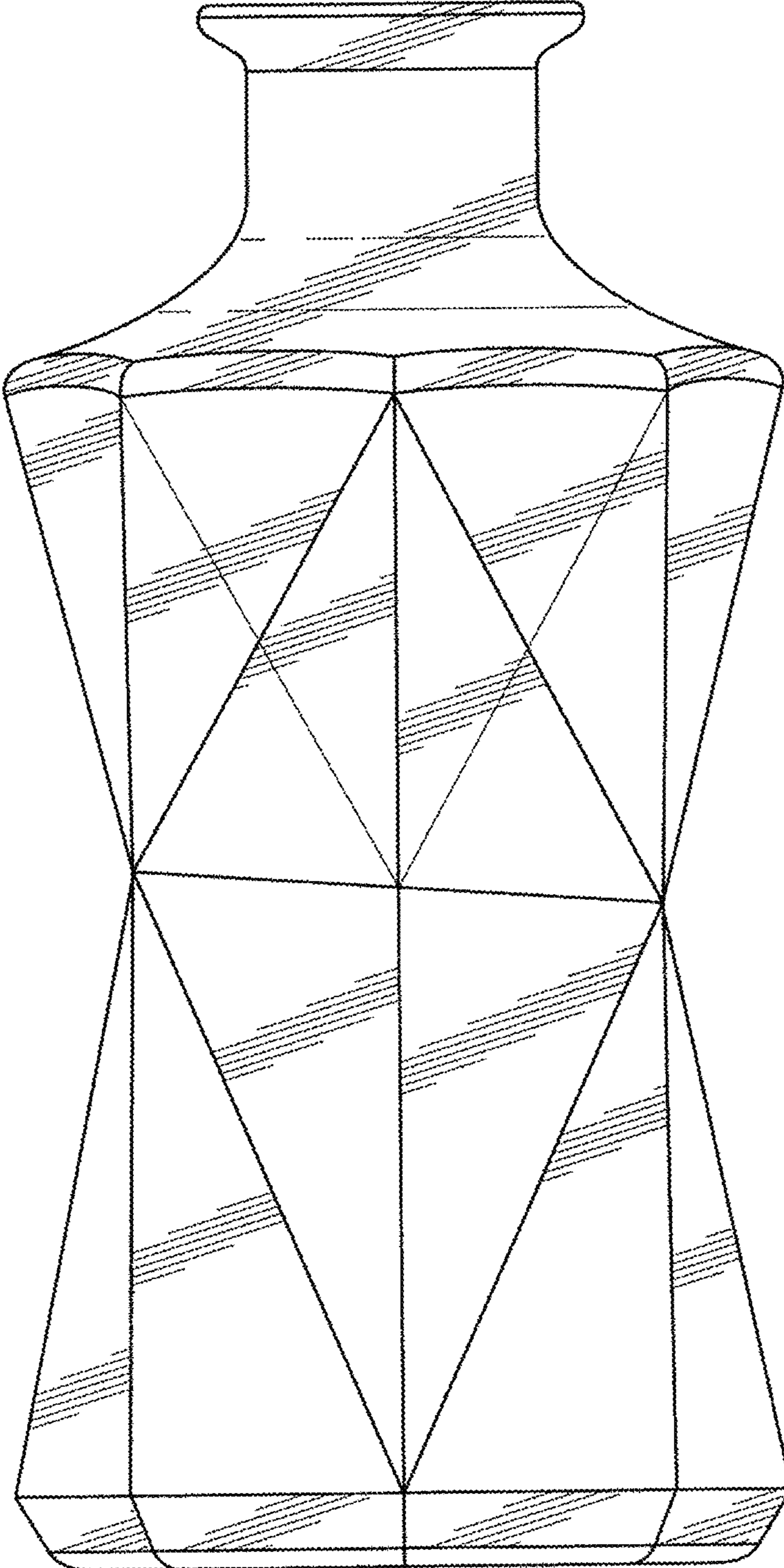


FIG. 1

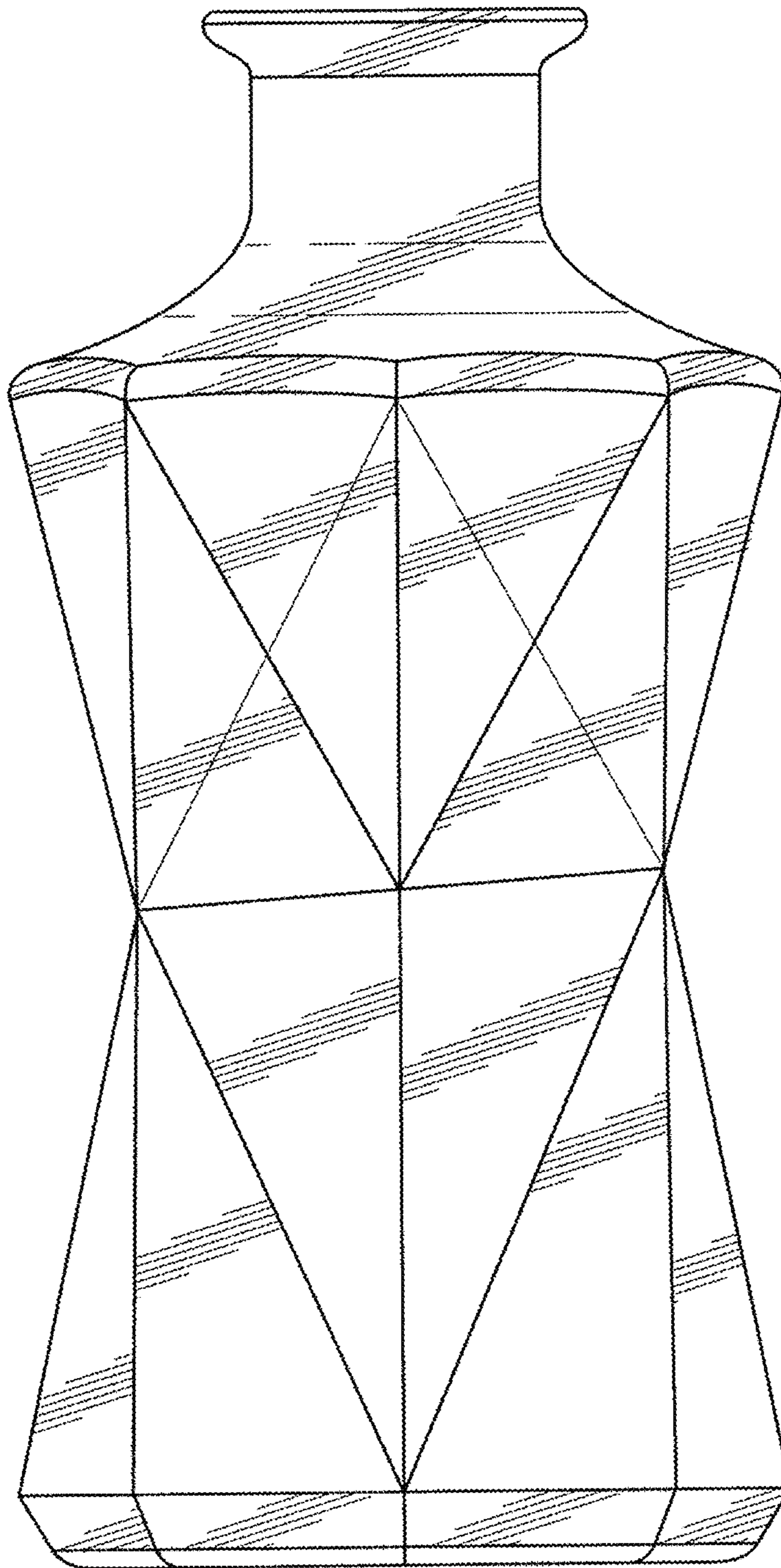


FIG. 2

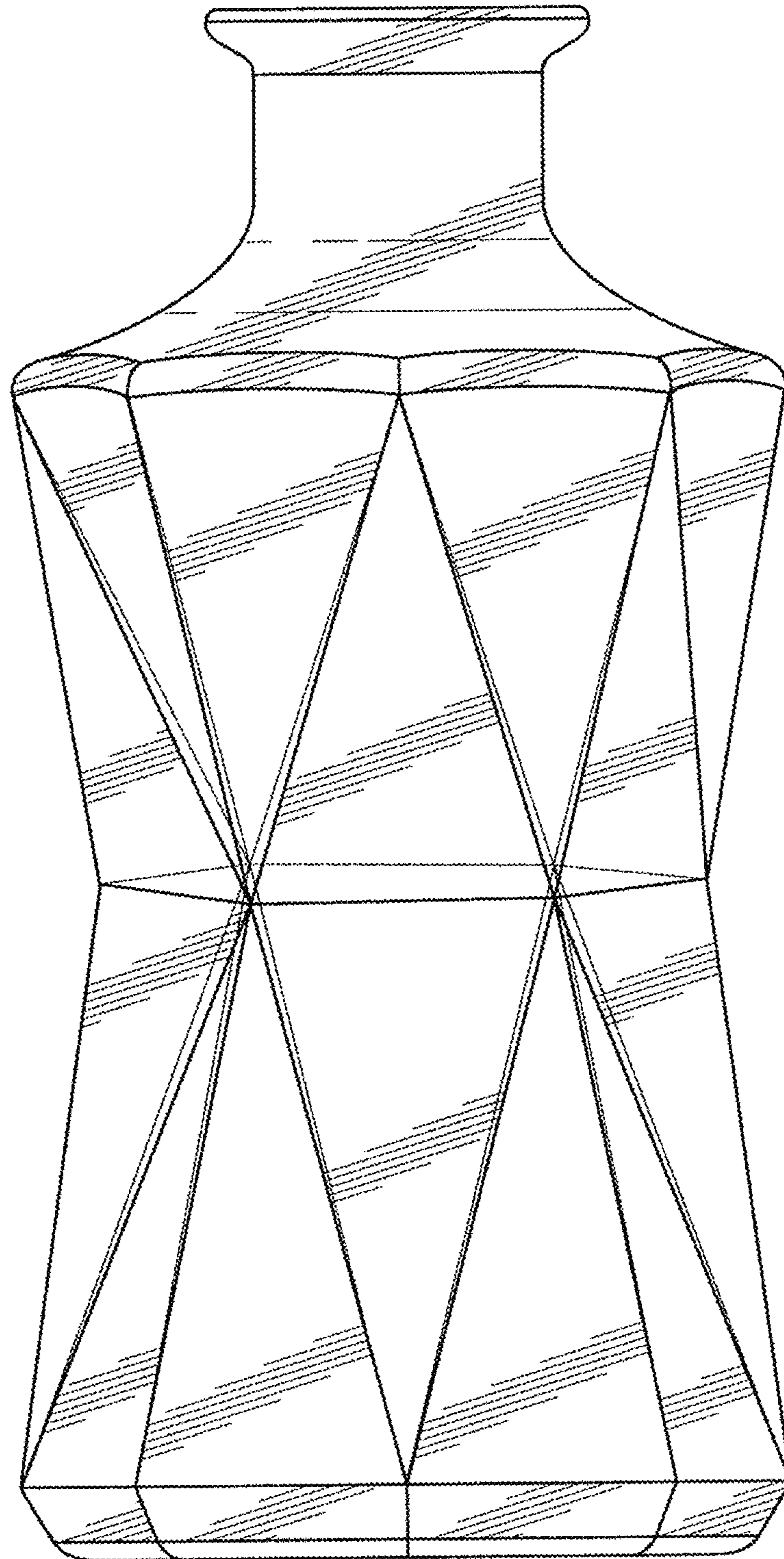


FIG. 3

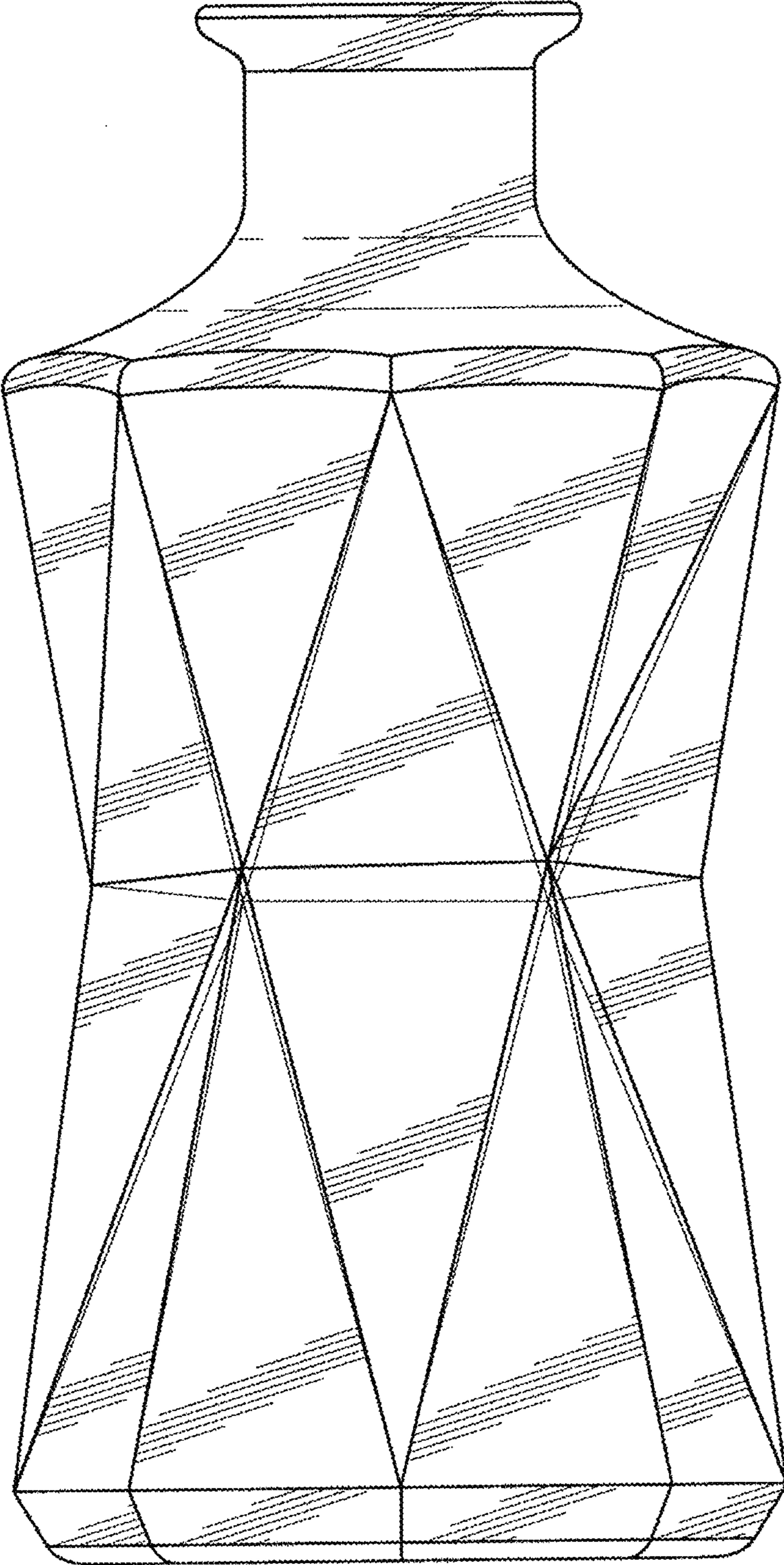
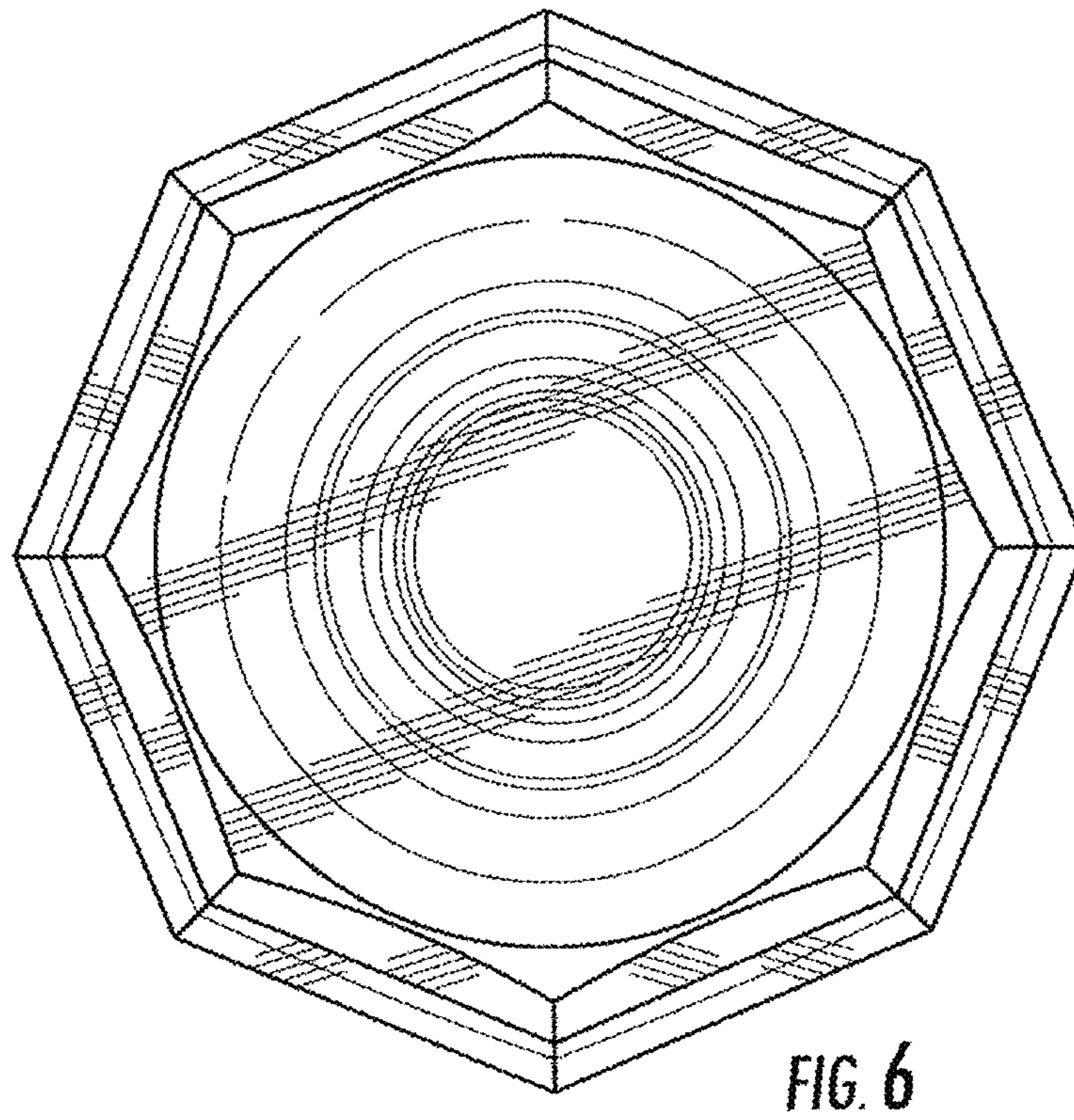
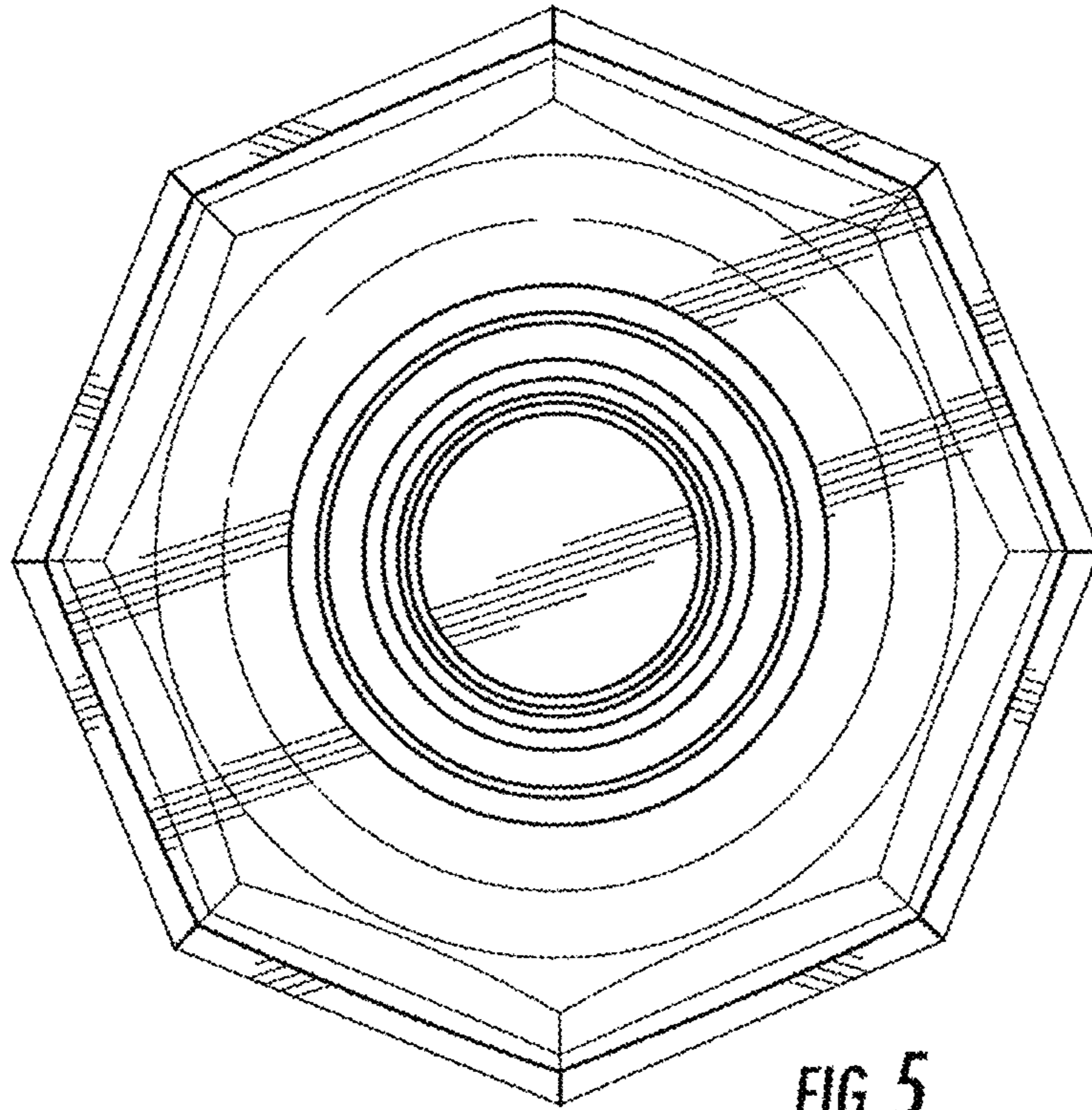


FIG. 4



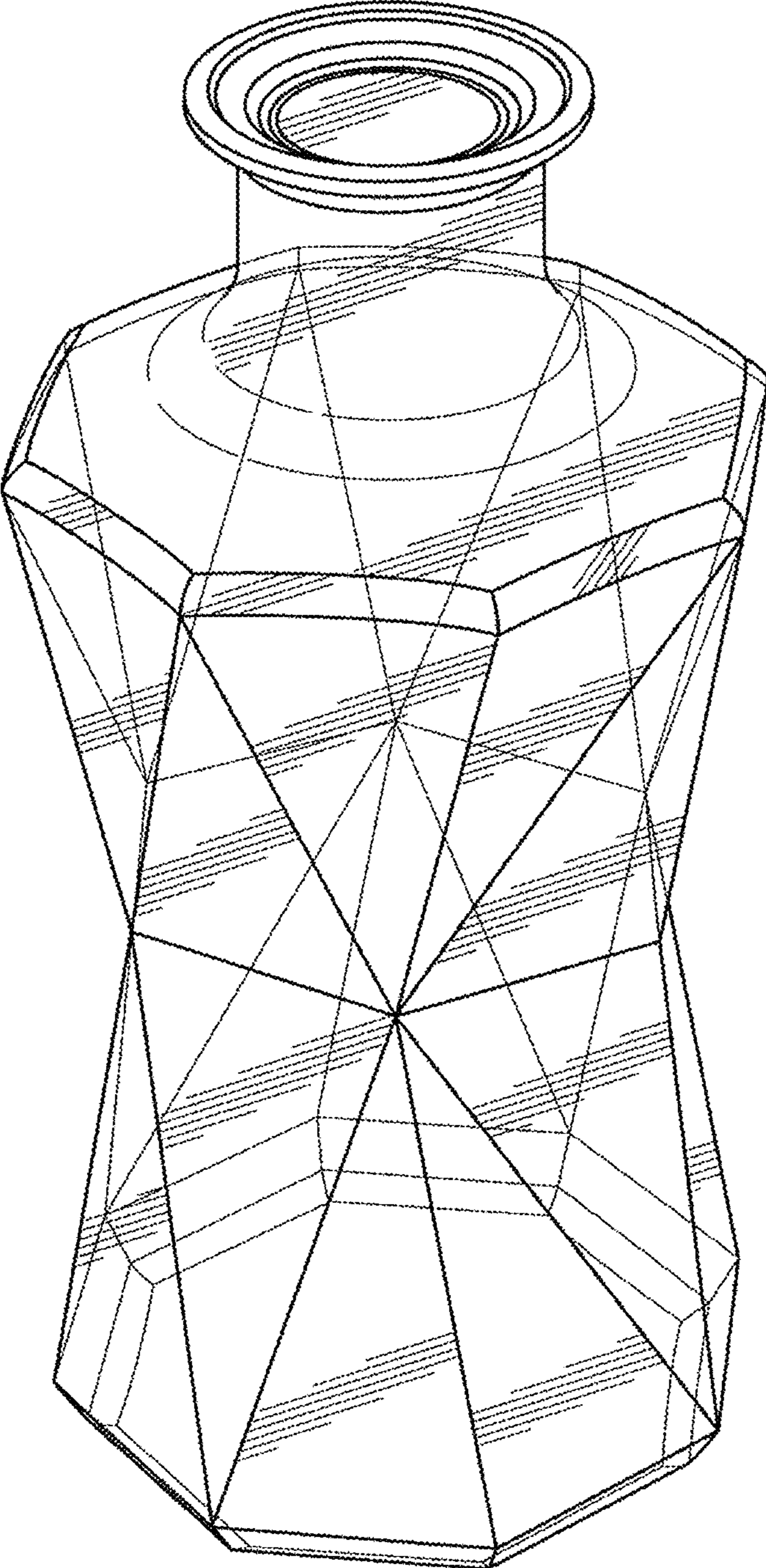


FIG. 7