



US00D809924S

(12) **United States Design Patent**
Miros

(10) **Patent No.:** **US D809,924 S**

(45) **Date of Patent:** **** Feb. 13, 2018**

(54) **CONTAINER**

(71) Applicant: **PlanetBox, LLC**, San Rafael, CA (US)

(72) Inventor: **Robert H. J. Miros**, Fairfax, CA (US)

(73) Assignee: **PlanetBox, LLC**, San Rafael, CA (US)

(**) Term: **15 Years**

(21) Appl. No.: **29/566,960**

(22) Filed: **Jun. 3, 2016**

(51) **LOC (11) Cl.** **09-01**

(52) **U.S. Cl.**

USPC **D9/532**; D7/601; D9/575

(58) **Field of Classification Search**

USPC D9/500, 504, 516, 529, 530, 531, 532,
D9/537, 538, 539, 549, 550, 552, 553,
D9/558, 572-574, 715, 719, 443;
D7/601, 602, 605, 608, 612, 615, 629,
D7/705, 706; D3/202, 308; D32/53

CPC B65D 21/0223; B65D 2543/00092; B65D
1/0215; B65D 25/28; B65D 81/3446

See application file for complete search history.

(56) **References Cited**

U.S. PATENT DOCUMENTS

D24,794 S	*	10/1895	Sherwood et al.	D9/532
D208,378 S	*	8/1967	Waddington	D7/608
D220,564 S	*	4/1971	Midland et al.	D9/528
D233,641 S	*	11/1974	Roche	D7/608
D261,088 S	*	10/1981	Akimov	D7/608
D298,602 S	*	11/1988	Price	D7/313
D332,379 S	*	1/1993	Murphy	D7/391
D369,525 S	*	5/1996	Winters	D7/608

D370,153 S	*	5/1996	Chaney	D7/503
D529,749 S	*	10/2006	Allen	D7/306
D540,626 S	*	4/2007	Janky	D7/608
D702,892 S	*	4/2014	Duvigneau	D30/121
D711,679 S	*	8/2014	Day	D7/354
D728,301 S	*	5/2015	Hack	D7/368
D741,115 S	*	10/2015	Lane	D7/608
D766,643 S	*	9/2016	Brensinger	A47K 3/288 D7/300
D774,837 S	*	12/2016	Seiders	D7/608
D777,941 S	*	1/2017	Piramon	D24/224
2006/0255040 A1	*	11/2006	Woinarski	B65D 21/022 220/276
2007/0235462 A1	*	10/2007	Omdoll	B65D 1/0284 220/772

* cited by examiner

Primary Examiner — Ian Simmons

Assistant Examiner — Keith Frank

(57) **CLAIM**

The ornamental design for a container, as shown and described.

DESCRIPTION

FIG. 1 is a top perspective view of a container in a closed configuration;

FIG. 2 is a front view thereof;

FIG. 3 is a rear view thereof;

FIG. 4 is a left side view thereof;

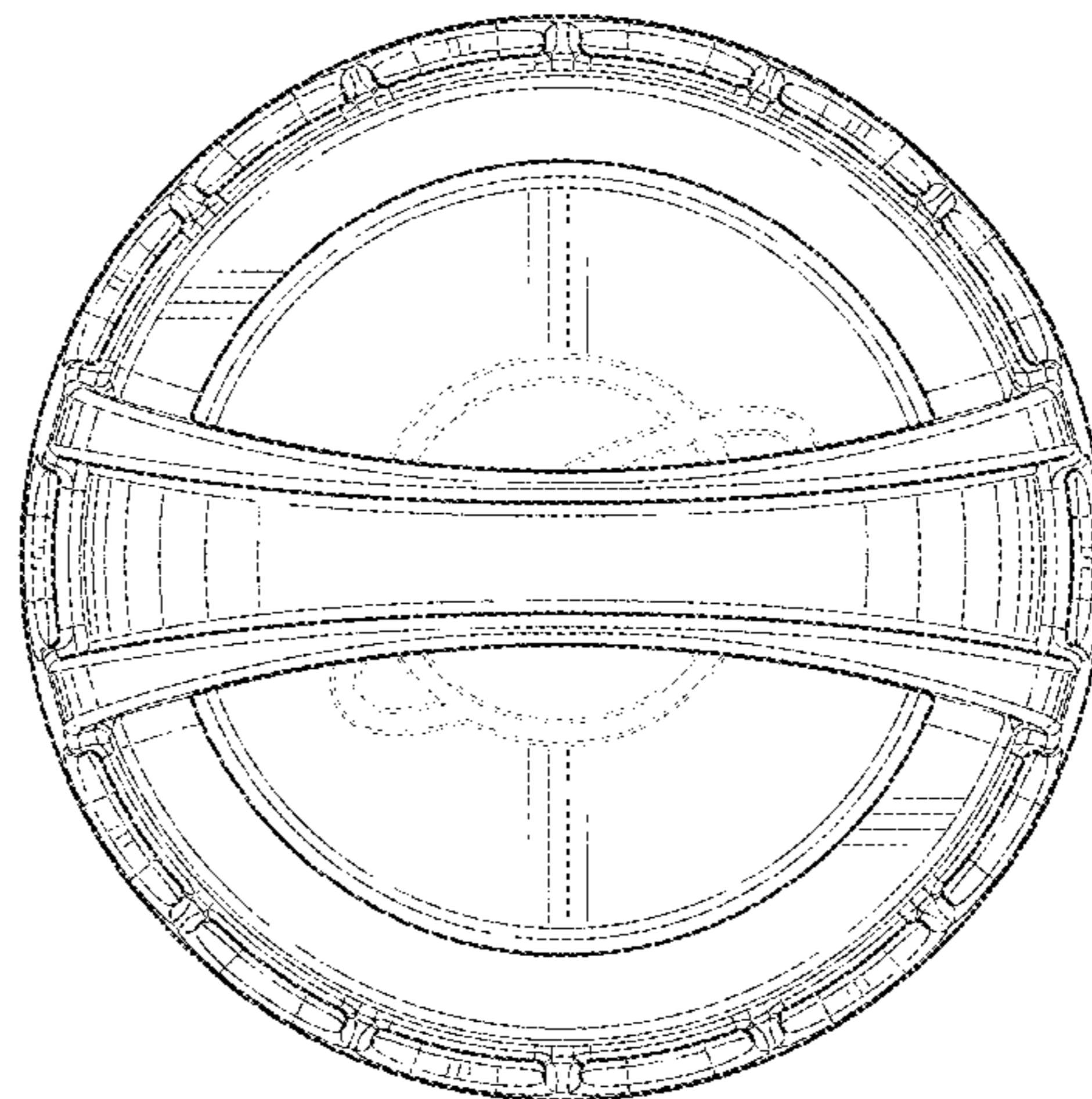
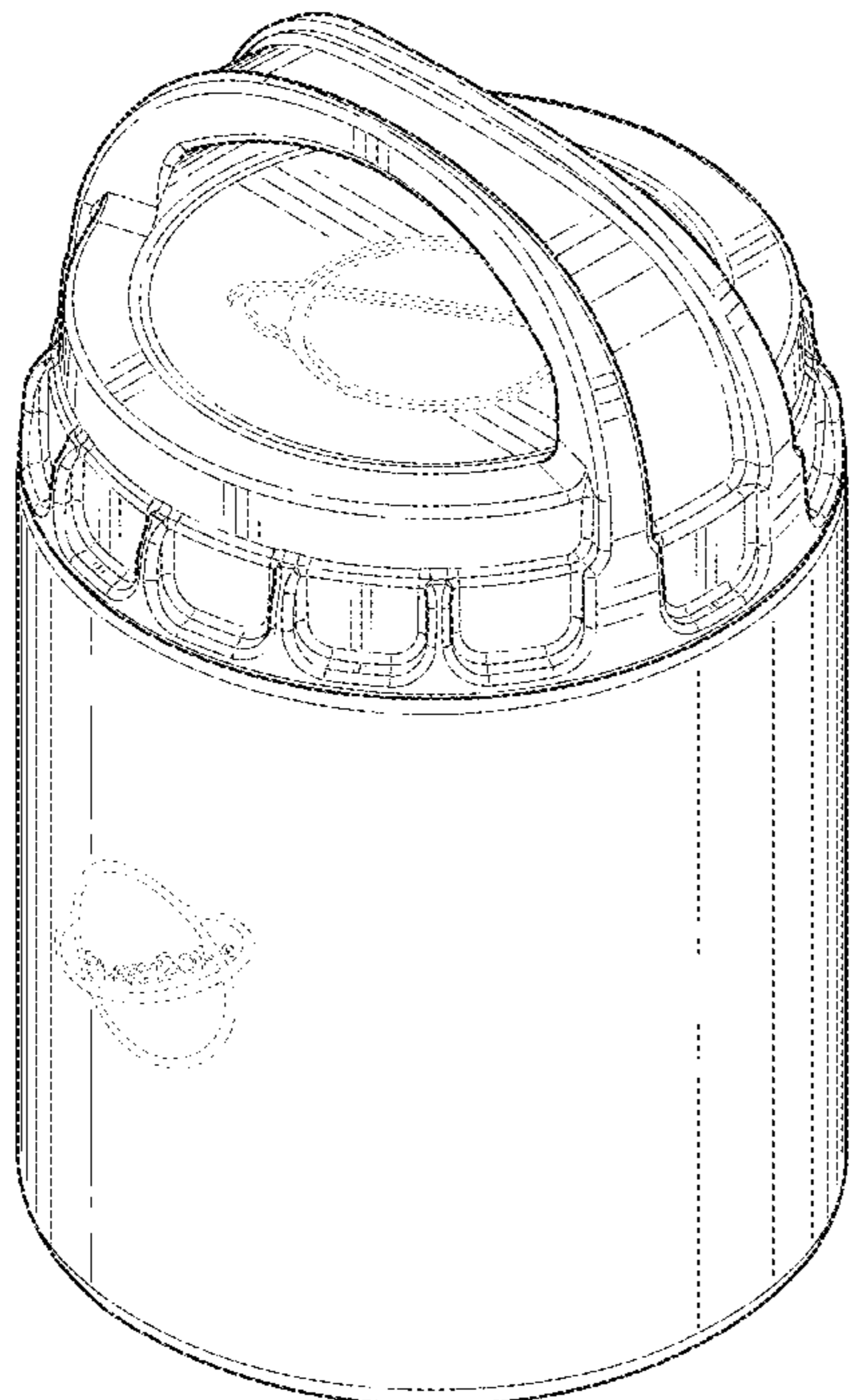
FIG. 5 is a right side view thereof;

FIG. 6 is a top view thereof; and,

FIG. 7 is a bottom view thereof.

All features illustrated in phantom line are expressly disclaimed and form no part of the claimed desire.

1 Claim, 7 Drawing Sheets



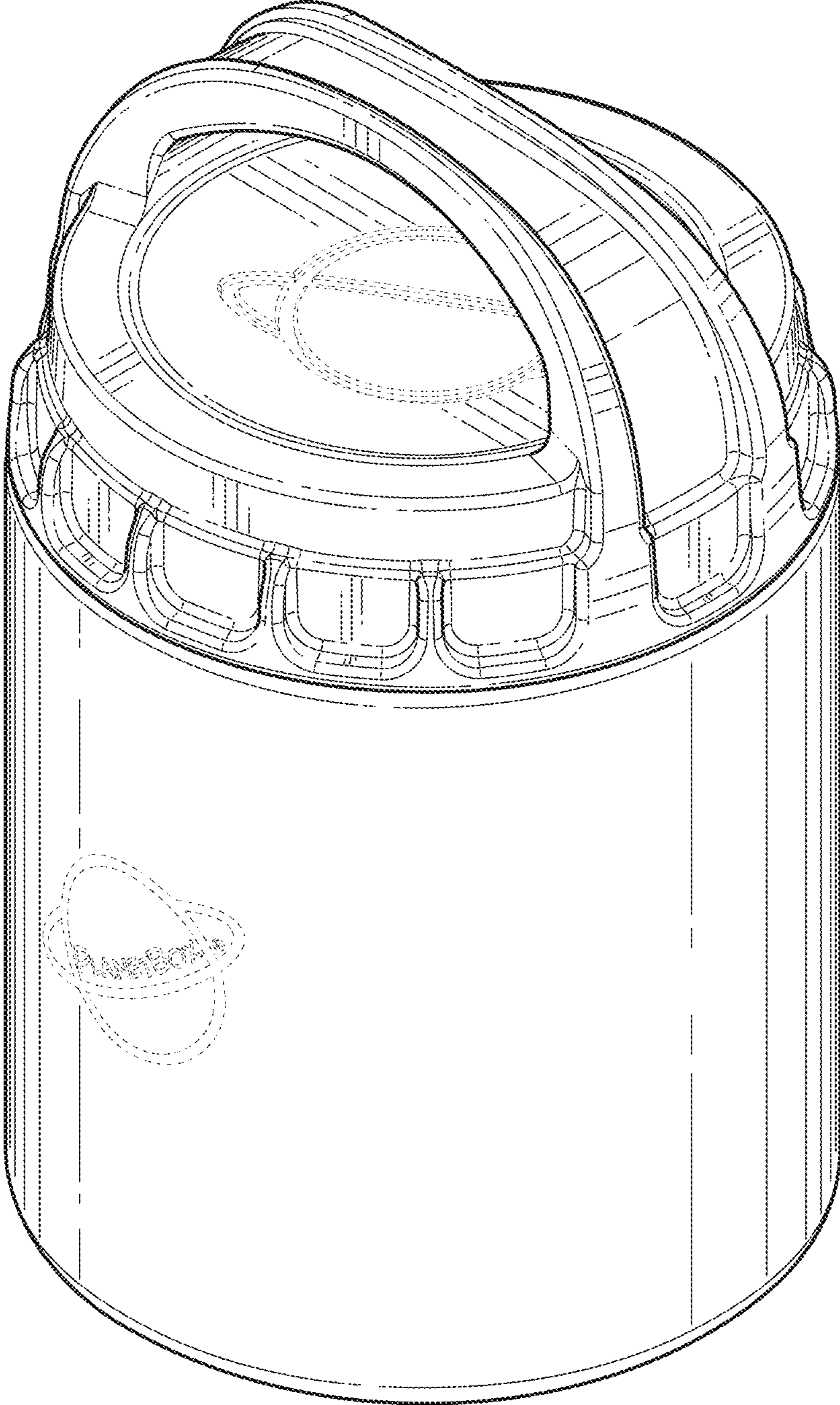


FIG. 1

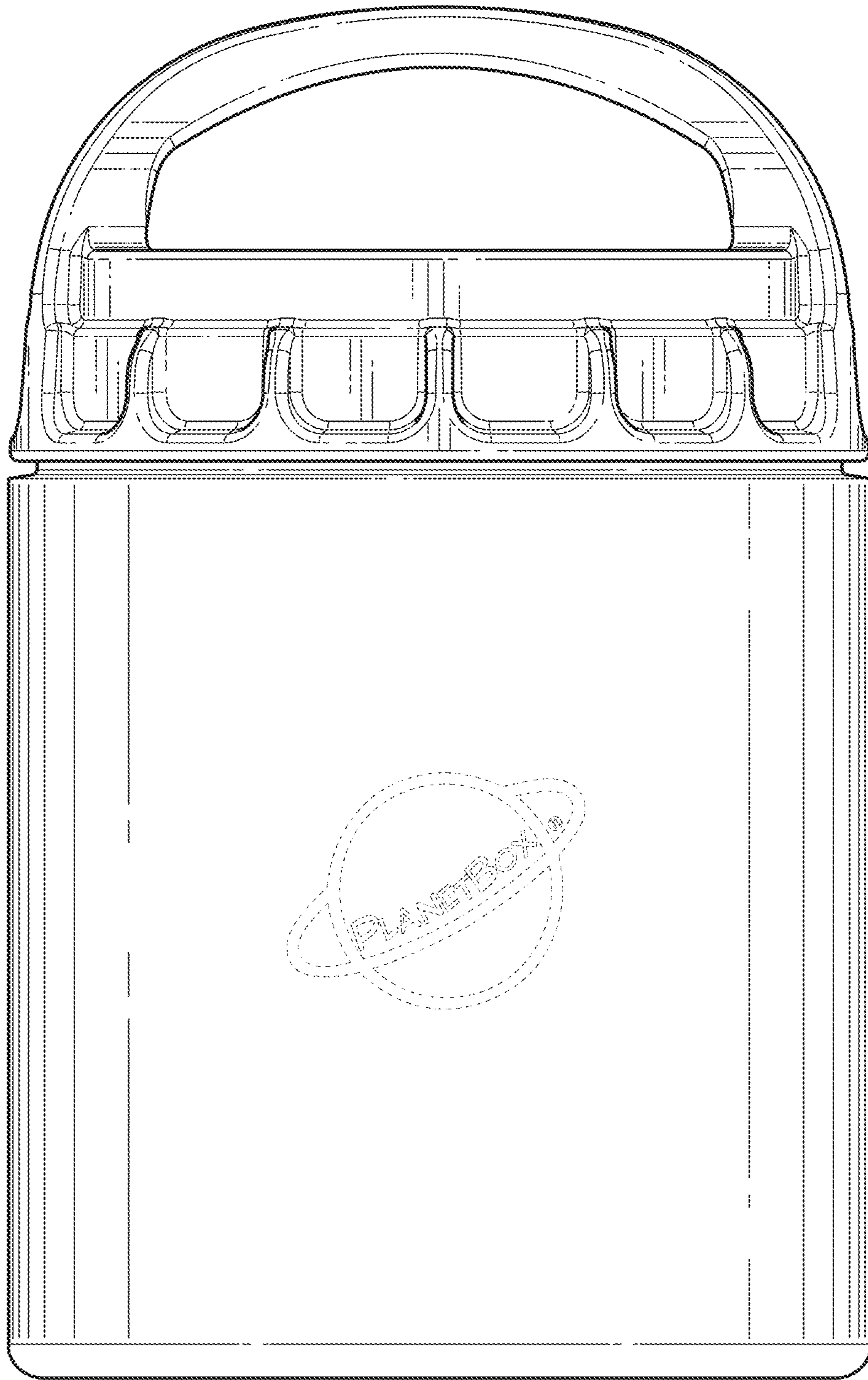


FIG. 2

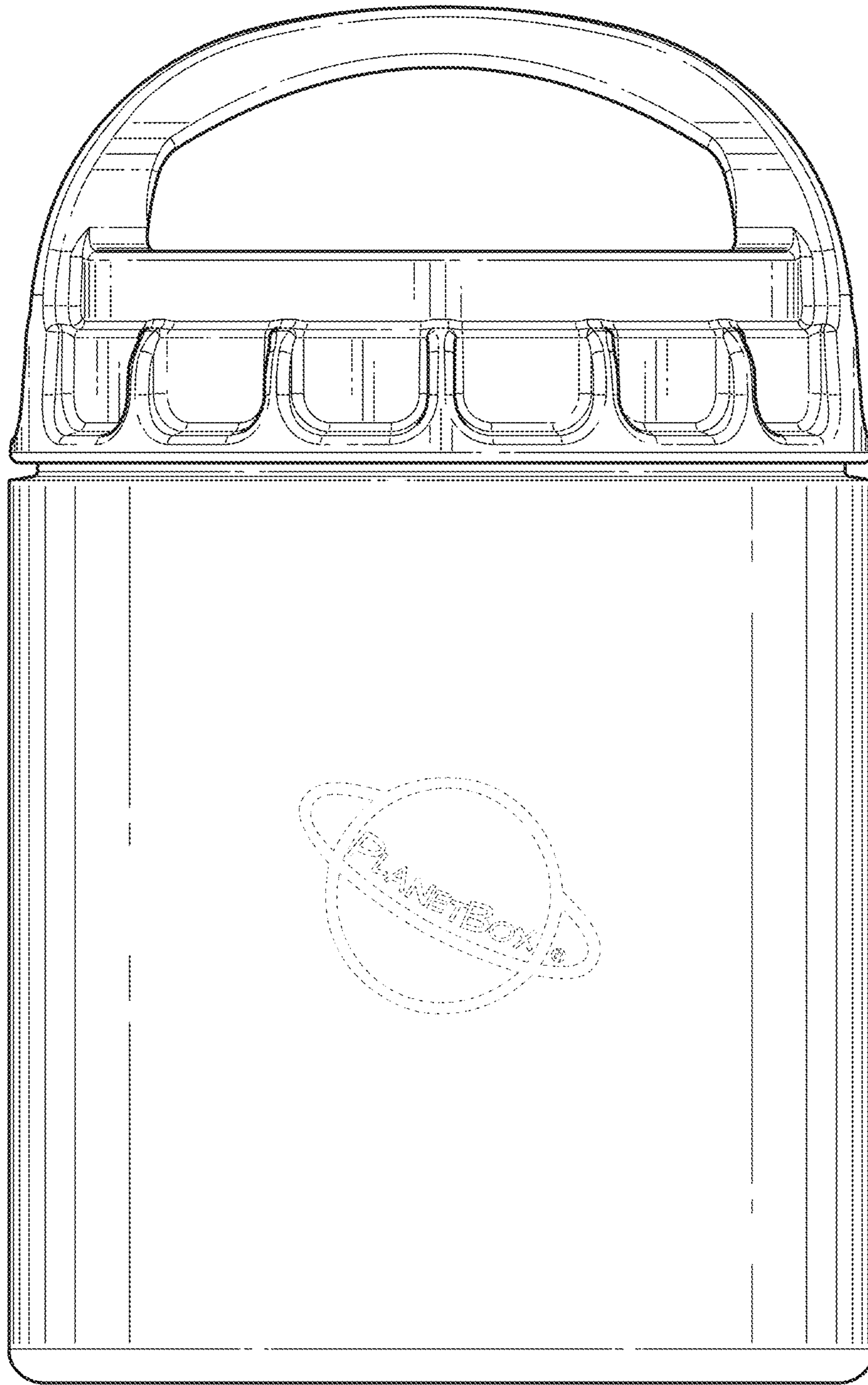


FIG. 3

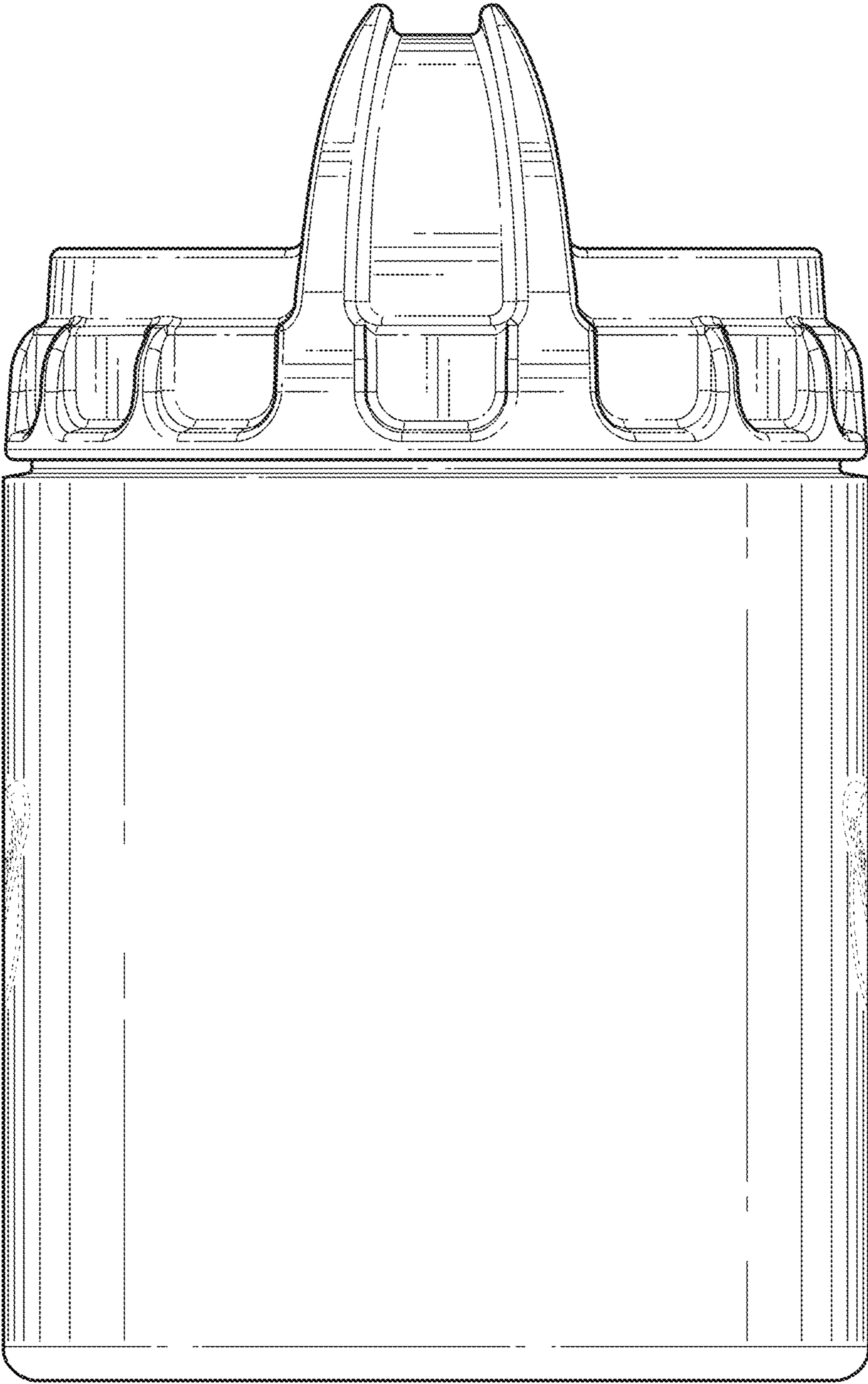


FIG. 4

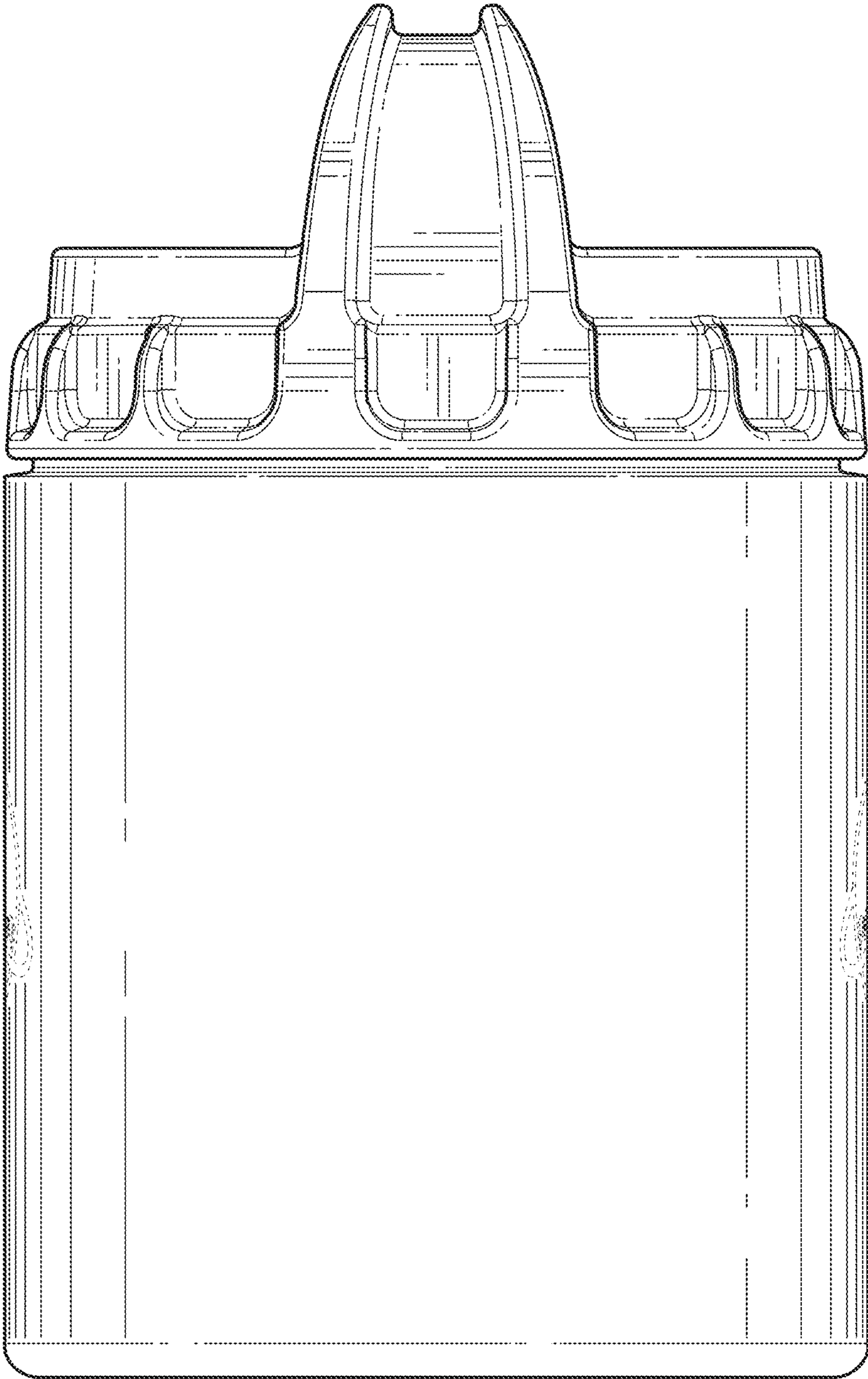


FIG. 5

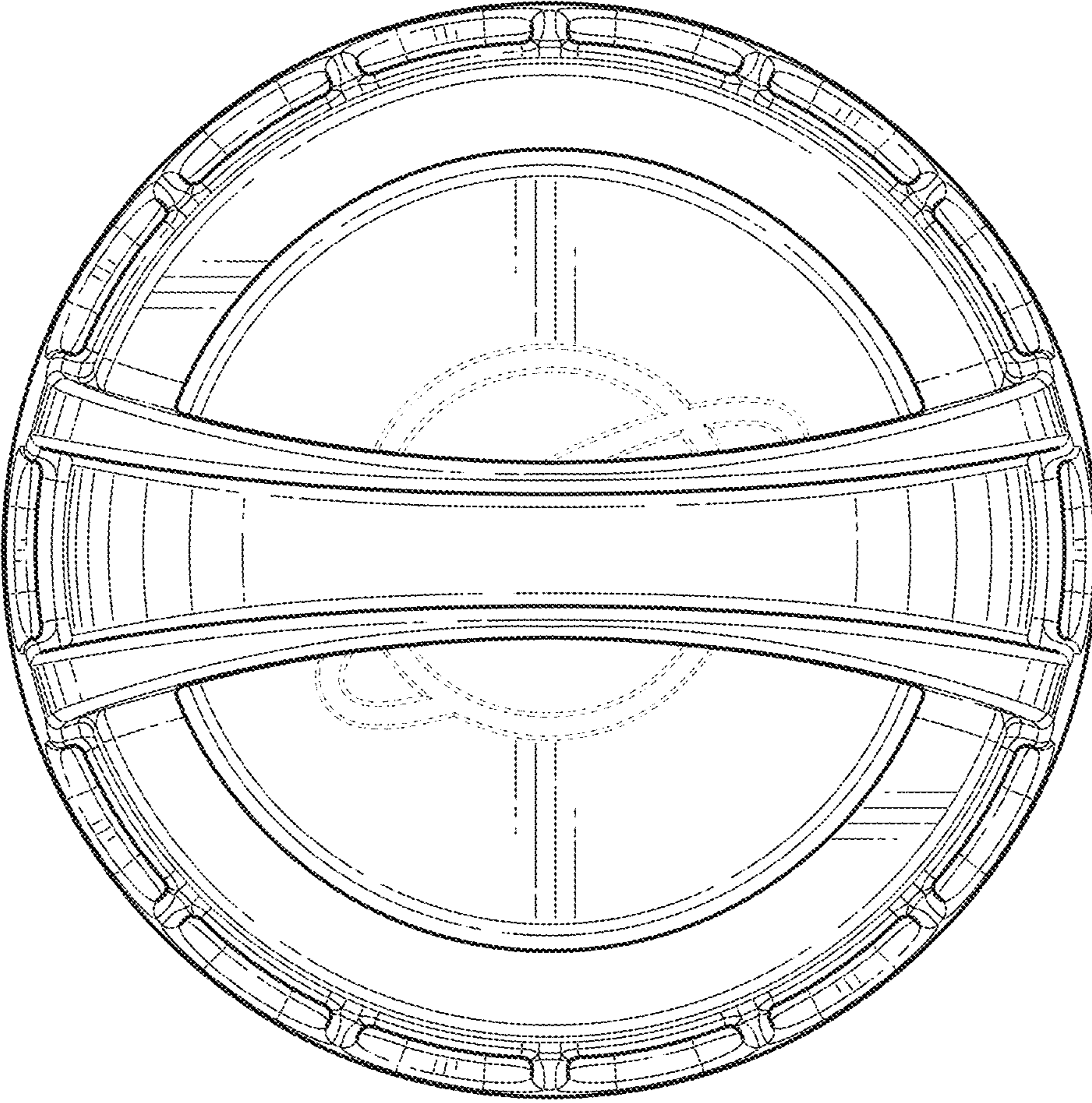


FIG. 6

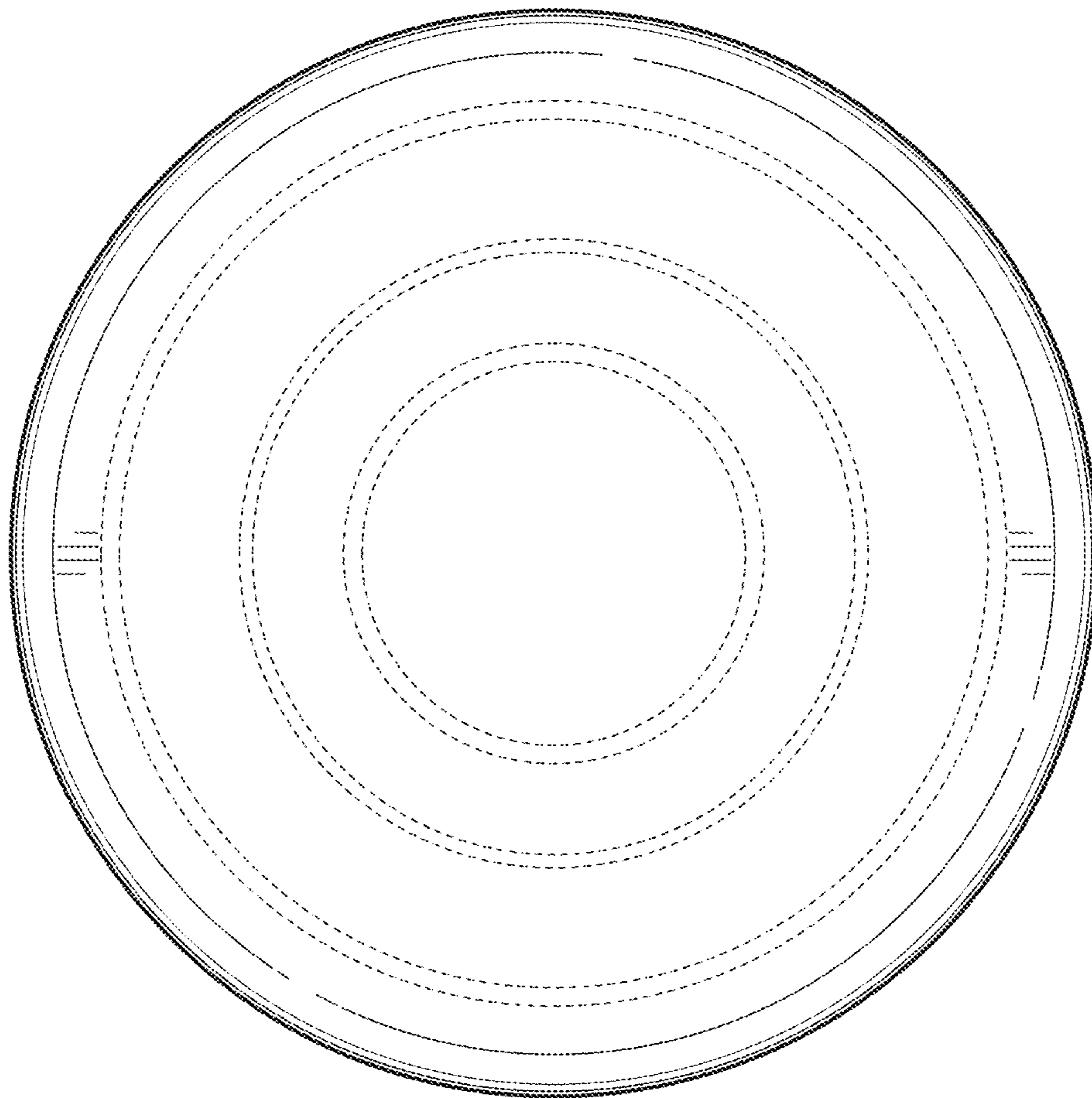


FIG. 7