



US00D809923S

(12) **United States Design Patent**
Marantis et al.

(10) **Patent No.:** **US D809,923 S**

(45) **Date of Patent:** **** Feb. 13, 2018**

(54) **BOTTLE**

(71) Applicant: **CORNERSTONE CM, INC.**, Poland, OH (US)

(72) Inventors: **Michael G. Marantis**, Poland, OH (US); **Richard A. Ponton**, New Milford, CT (US); **Joshua W. Hubbard**, New Milford, CT (US); **Jonathan P. Richards**, Derby, CT (US)

(73) Assignee: **CORNERSTONE CM, INC.**, Poland, OH (US)

(**) Term: **15 Years**

(21) Appl. No.: **29/564,387**

(22) Filed: **May 12, 2016**

Related U.S. Application Data

(63) Continuation of application No. 29/509,033, filed on Nov. 13, 2014, now Pat. No. Des. 764,920.

(51) **LOC (11) Cl.** **09-01**

(52) **U.S. Cl.**
USPC **D9/516; D9/502**

(58) **Field of Classification Search**
USPC D9/500, 503-504, 516, 530, 537-539, D9/549, 557-558, 682, 686, 688-692, D9/715, 719; D24/197
CPC ... B65D 1/00; B65D 1/02; B65D 1/10; B65D 1/0223; B65D 1/243; B65D 23/00; B65D 81/00; B65D 2501/00; B65D 2501/0009
See application file for complete search history.

(56) **References Cited**

U.S. PATENT DOCUMENTS

1,189,465 A 7/1916 Mayo
2,276,421 A 3/1942 Colin

D148,078 S 12/1947 Lelong
2,911,123 A 11/1959 Saccomanno
3,088,615 A 5/1963 Wheaton et al.
D217,580 S 6/1970 Nelson et al.
D225,725 S 1/1973 Pettengill
3,965,902 A 6/1976 Reilly et al.

(Continued)

OTHER PUBLICATIONS

Clear Glass Lamp Bulb Shape Bottle with Screw Cap Tin Lid, posted on alibaba.com, no posted date given, no production date given, [online], [site visited Dec. 30, 2016], Available from internet, <URL: https://ww.alibaba.com/product-detail/clear-glass-lamp-bulb-shape-bottle_60183128242.html>.

(Continued)

Primary Examiner — Ian Simmons

Assistant Examiner — Keith Frank

(74) *Attorney, Agent, or Firm* — Tucker Ellis LLP; Carlos Garritano

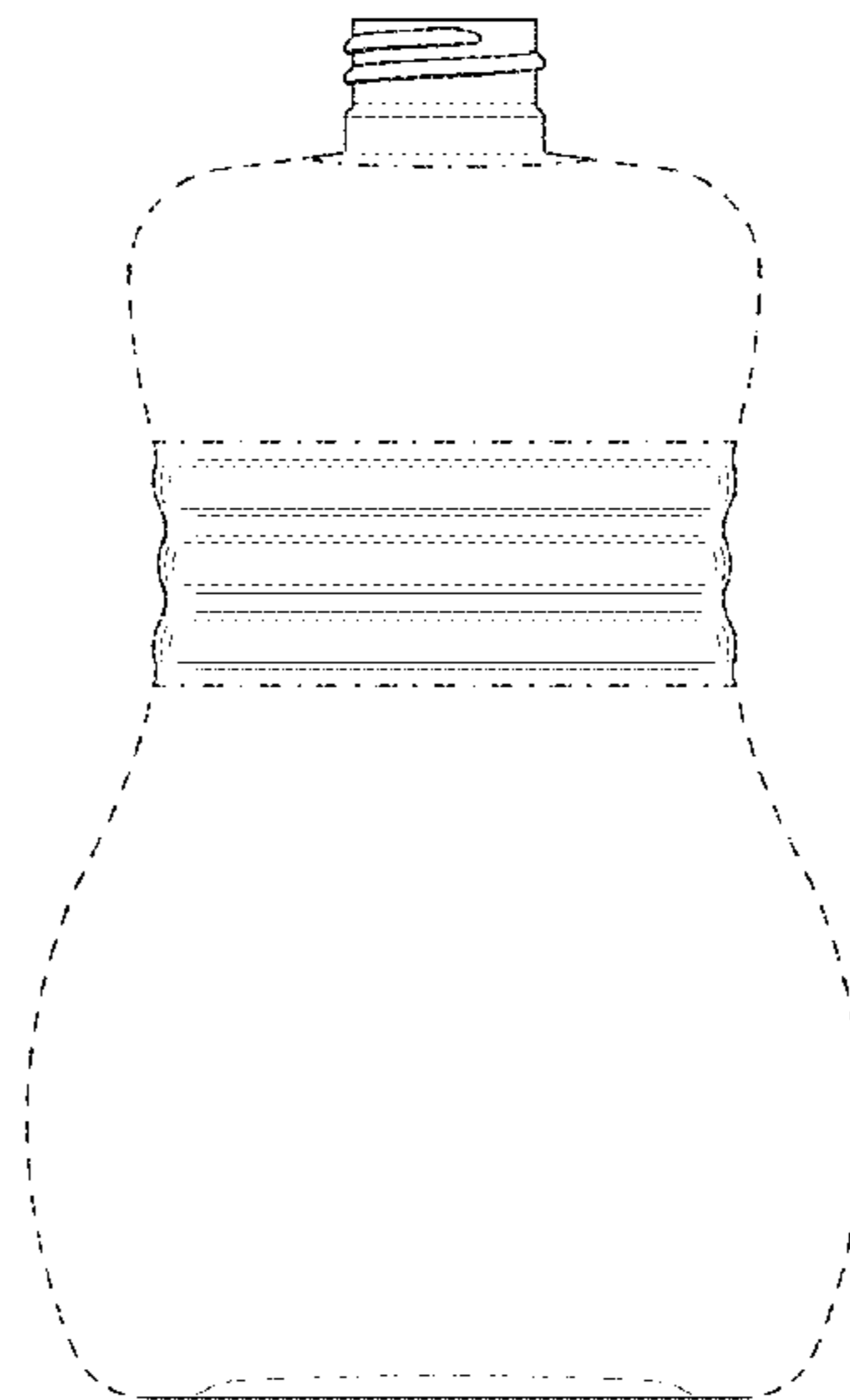
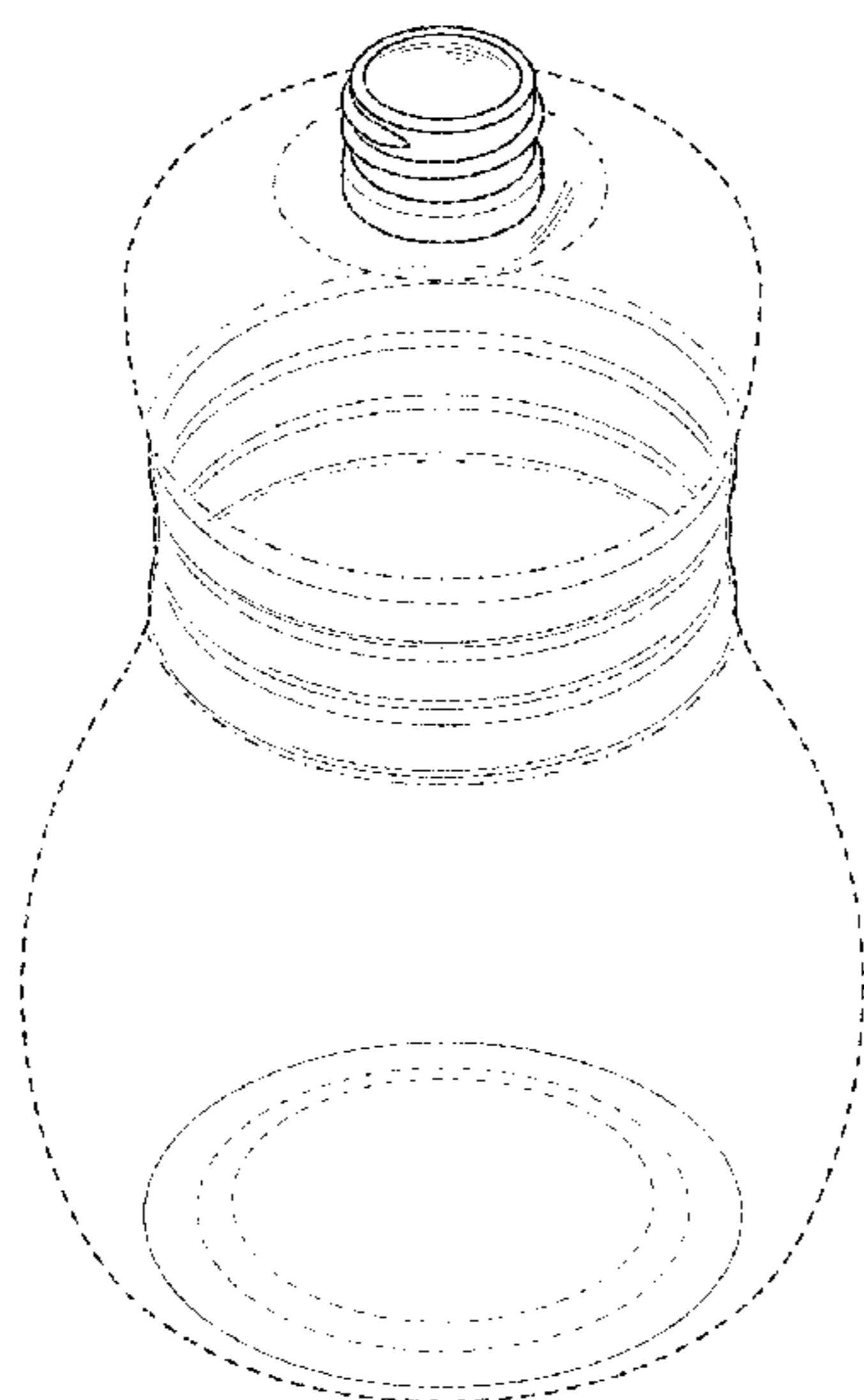
(57) **CLAIM**

The ornamental design for a bottle, as shown and described.

DESCRIPTION

FIG. 1 is a top front perspective view of a bottle showing our new design;
FIG. 2 is front view of the bottle illustrated in FIG. 1;
FIG. 3 is a rear view of the bottle illustrated in FIG. 1;
FIG. 4 is a left side view of the bottle illustrated in FIG. 1;
FIG. 5 is a right side view of the bottle illustrated in FIG. 1;
FIG. 6 is a top view of the bottle illustrated in FIG. 1; and, FIG. 7 is a bottom view of the bottle illustrated in FIG. 1. The broken lines in the drawings illustrate the portions of the bottle that form no part of the claimed design. The dash-dot-dash broken lines in the drawings depict the boundaries of the claimed design.

1 Claim, 4 Drawing Sheets



(56)

References Cited

U.S. PATENT DOCUMENTS

4,376,439 A 3/1983 Lauterjung
 5,188,622 A 2/1993 Muller et al.
 D362,188 S 9/1995 Van Dyk
 5,902,298 A 5/1999 Niedospial, Jr. et al.
 5,921,419 A 7/1999 Niedospial, Jr. et al.
 5,960,837 A 10/1999 Cude
 5,971,181 A 10/1999 Niedospial, Jr. et al.
 D428,339 S 7/2000 Johnston et al.
 D472,471 S 4/2003 McClure et al.
 D488,719 S * 4/2004 Evans D9/434
 D489,992 S 5/2004 Brauner et al.
 D520,363 S 5/2006 Perez
 7,048,724 B2 5/2006 Grossman et al.
 D525,129 S * 7/2006 Hutter D9/502
 7,153,294 B1 12/2006 Farrow
 D545,194 S * 6/2007 Goudsblom D9/502
 D561,028 S * 2/2008 Murata D9/502
 D571,214 S * 6/2008 Caszatt D9/502
 D572,135 S * 7/2008 Lepoitevin D9/502
 D573,468 S * 7/2008 Pickford D9/502
 D579,333 S * 10/2008 Dixon D9/500
 D584,624 S * 1/2009 Bourne D9/502
 D613,166 S 4/2010 Bentley
 D619,897 S * 7/2010 Arnell D9/516
 D620,362 S 7/2010 Boukobza
 D620,758 S * 8/2010 Smiedt D7/523
 D621,660 S 8/2010 Smiedt et al.
 7,799,009 B2 9/2010 Niedospial, Jr. et al.
 D642,471 S 8/2011 White et al.
 D645,351 S * 9/2011 McMillan D9/502

D673,854 S 1/2013 James
 D682,700 S 5/2013 White et al.
 D700,519 S * 3/2014 Eaton D9/516
 D701,730 S * 4/2014 Stanley D7/507
 D703,538 S * 4/2014 Paredes D9/500
 D736,646 S 8/2015 Andersson et al.
 D740,120 S 10/2015 El Ghouyel
 D746,687 S * 1/2016 Yourist D9/502
 D755,049 S * 5/2016 Clark D9/502
 D763,090 S 8/2016 Zeng et al.
 D763,091 S 8/2016 Zeng et al.
 D764,920 S 8/2016 Marantis et al.
 D766,112 S * 9/2016 Baker D9/773
 2003/0208165 A1 11/2003 Christensen et al.
 2010/0270260 A1 10/2010 Jung
 2011/0186538 A1 * 8/2011 Strasser B65D 1/0223
 215/381

OTHER PUBLICATIONS

Tinksky, 400ml Tea Water Cup Bottle—Light Bulb Shaped, posted on amazon.com, no posted date given, no production date given, [online], [site visited Dec. 30, 2016], Available from internet, <URL: <https://www.amazon.com/Tinksky-400ML-Tea-Water-Bottle/dp/B01FDA7C7K>>.
 Bobble Active Filtering Water Bottle Hands-On, posted on gadgetmac.com, posted Sep. 1, 2012, no production date given, [online], [site visited Dec. 30, 2016], Available from internet, <URL: <http://gadgetmac.com/alt/bobble-active-filtering-water-bottle-hands-on.html>>.

* cited by examiner

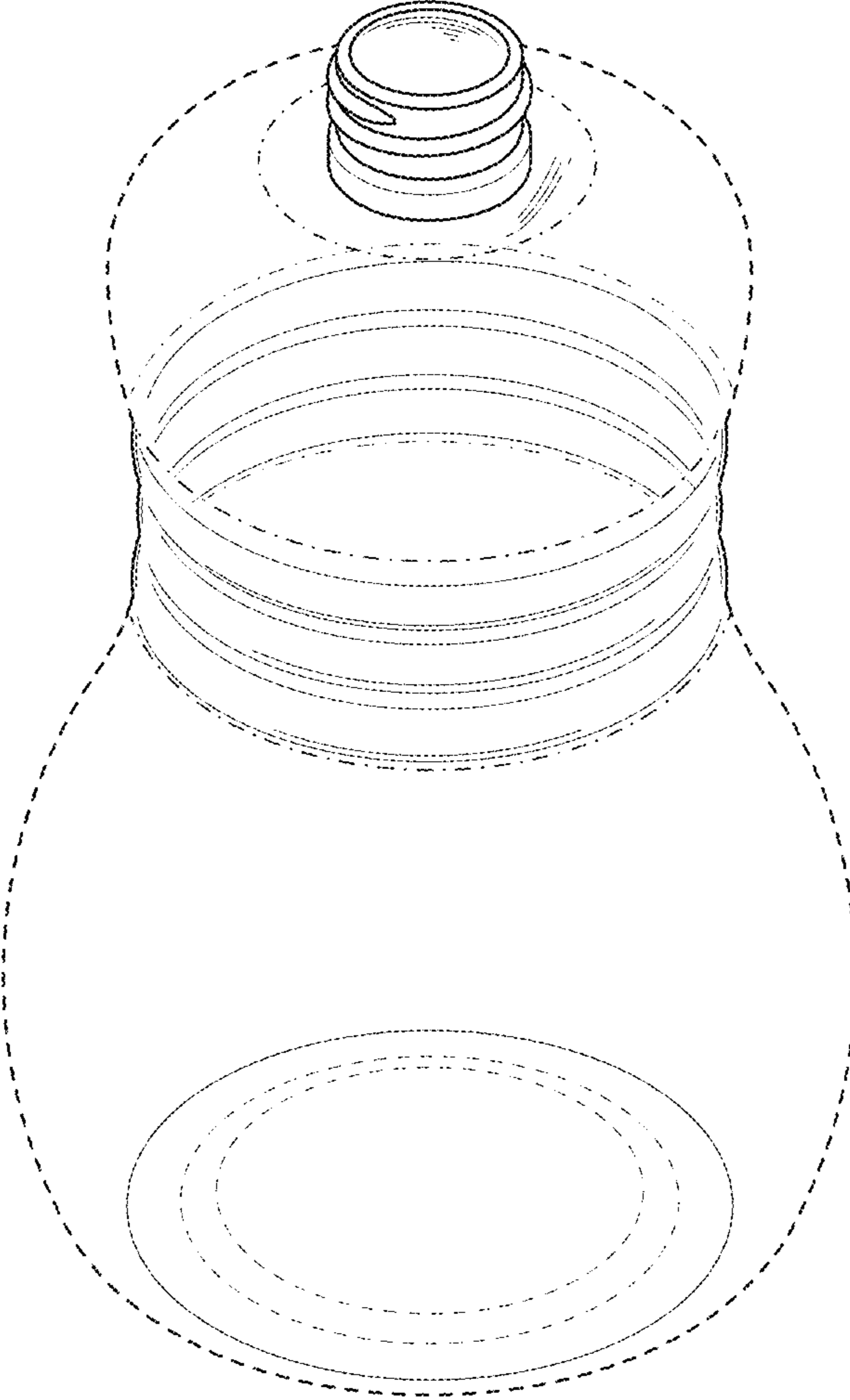


FIG 1

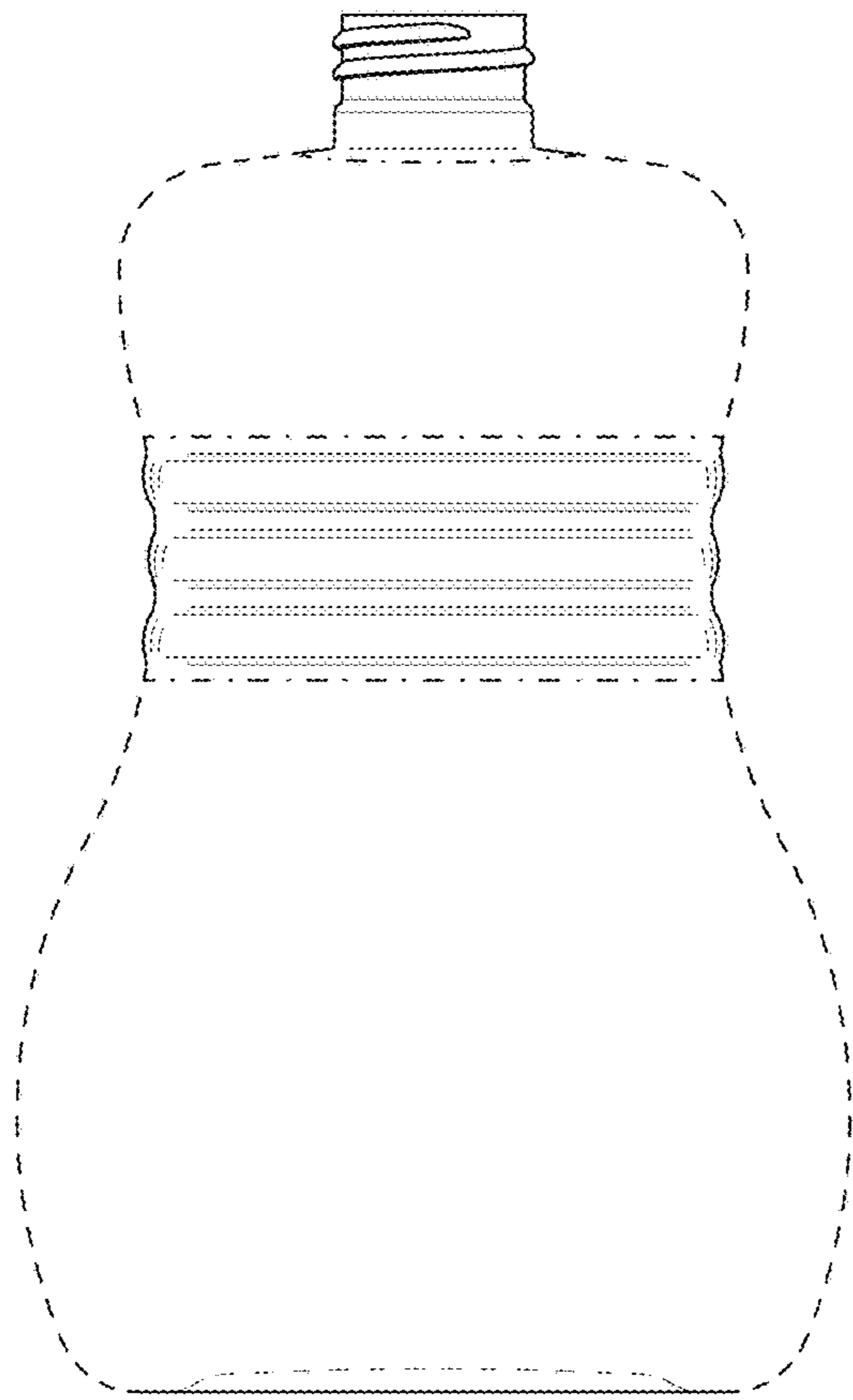


FIG 2

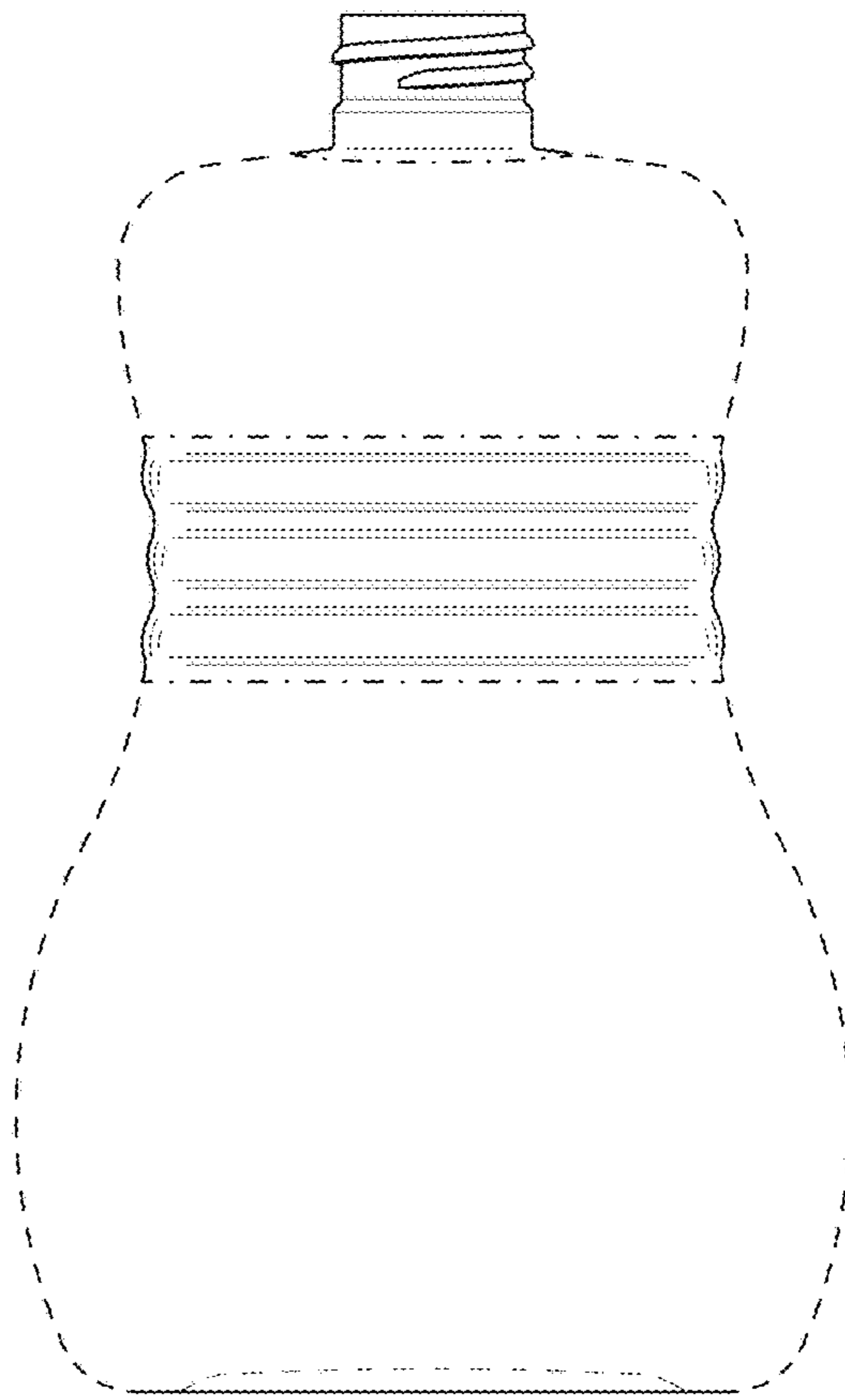


FIG 3

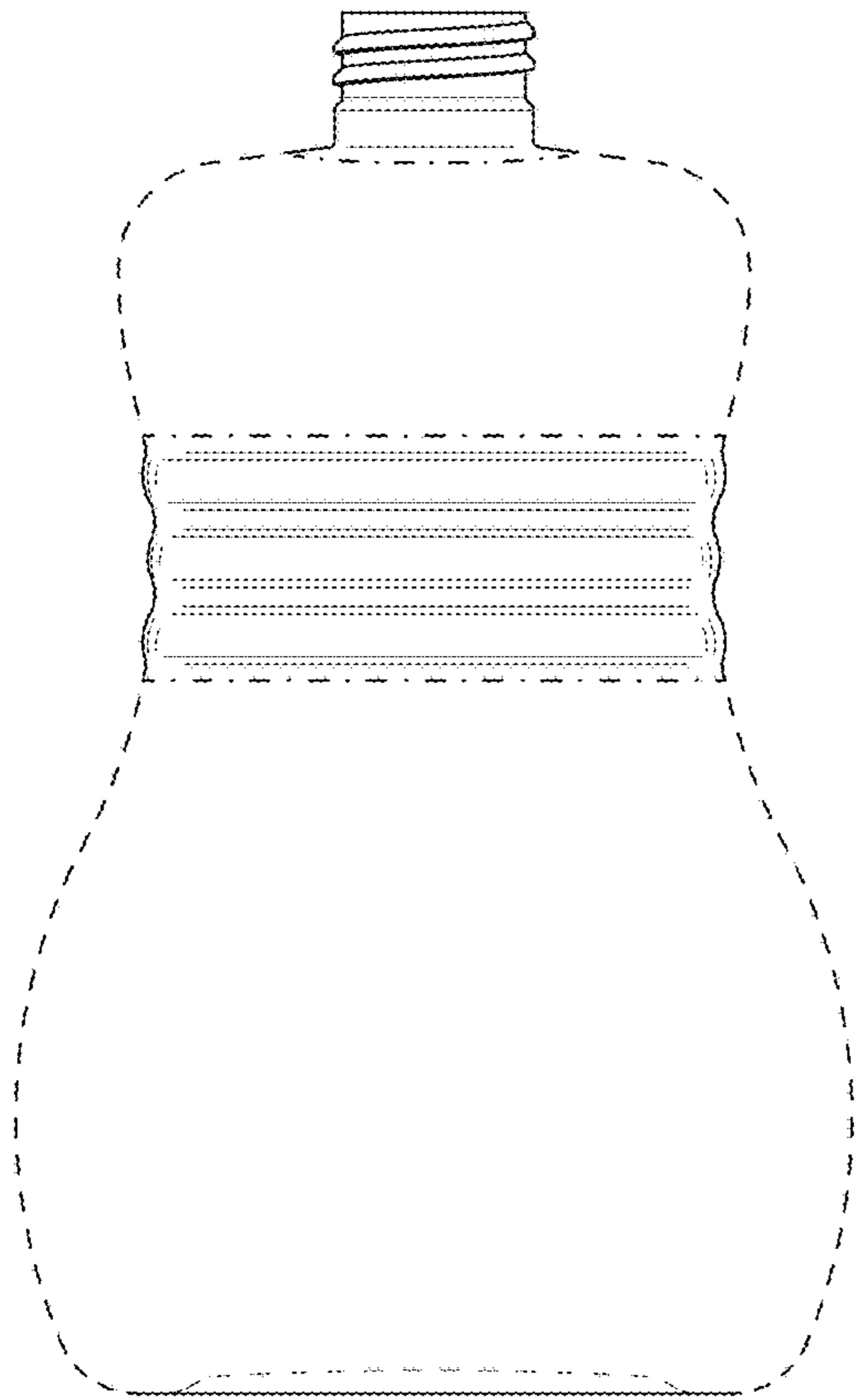


FIG 4

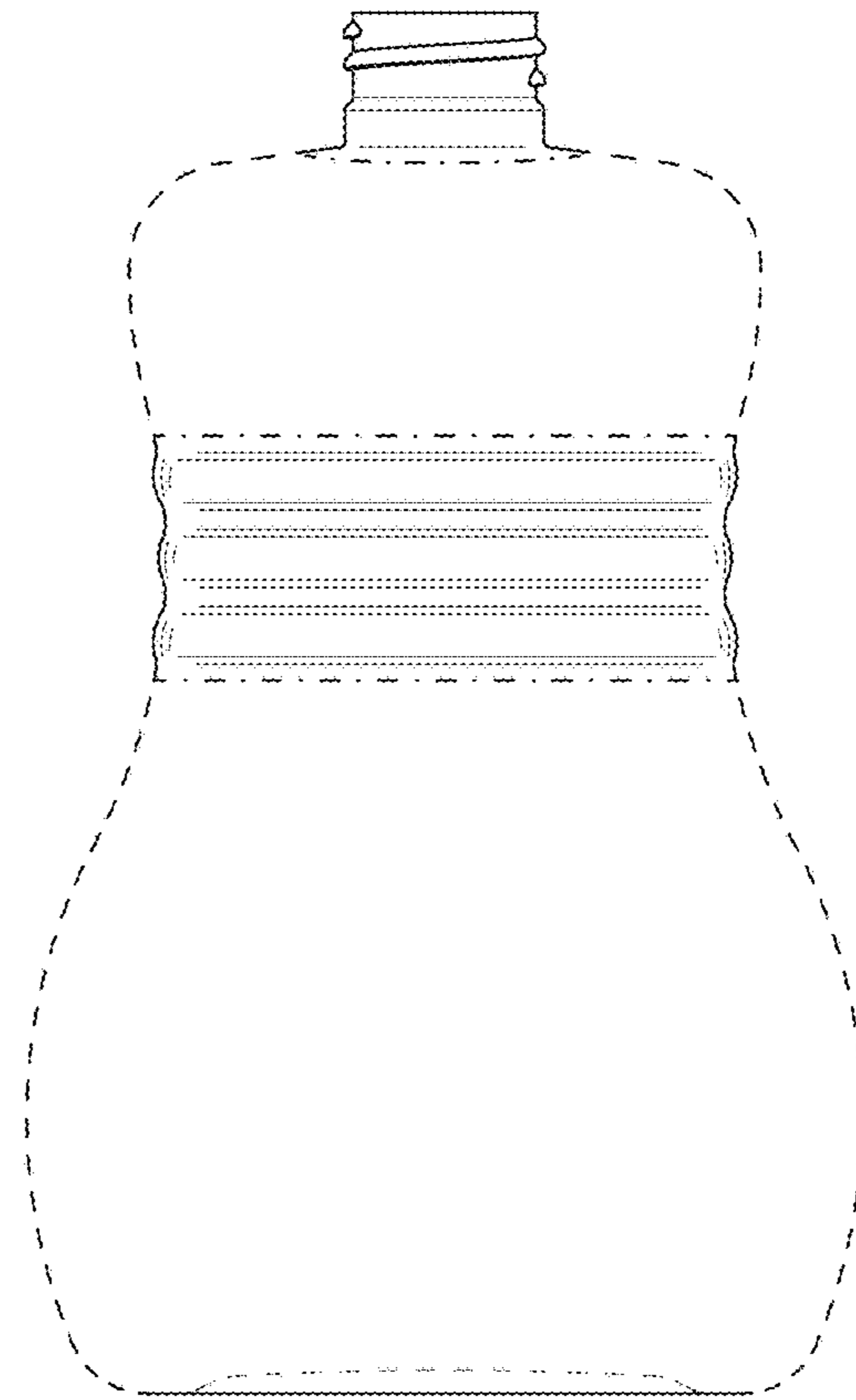


FIG 5

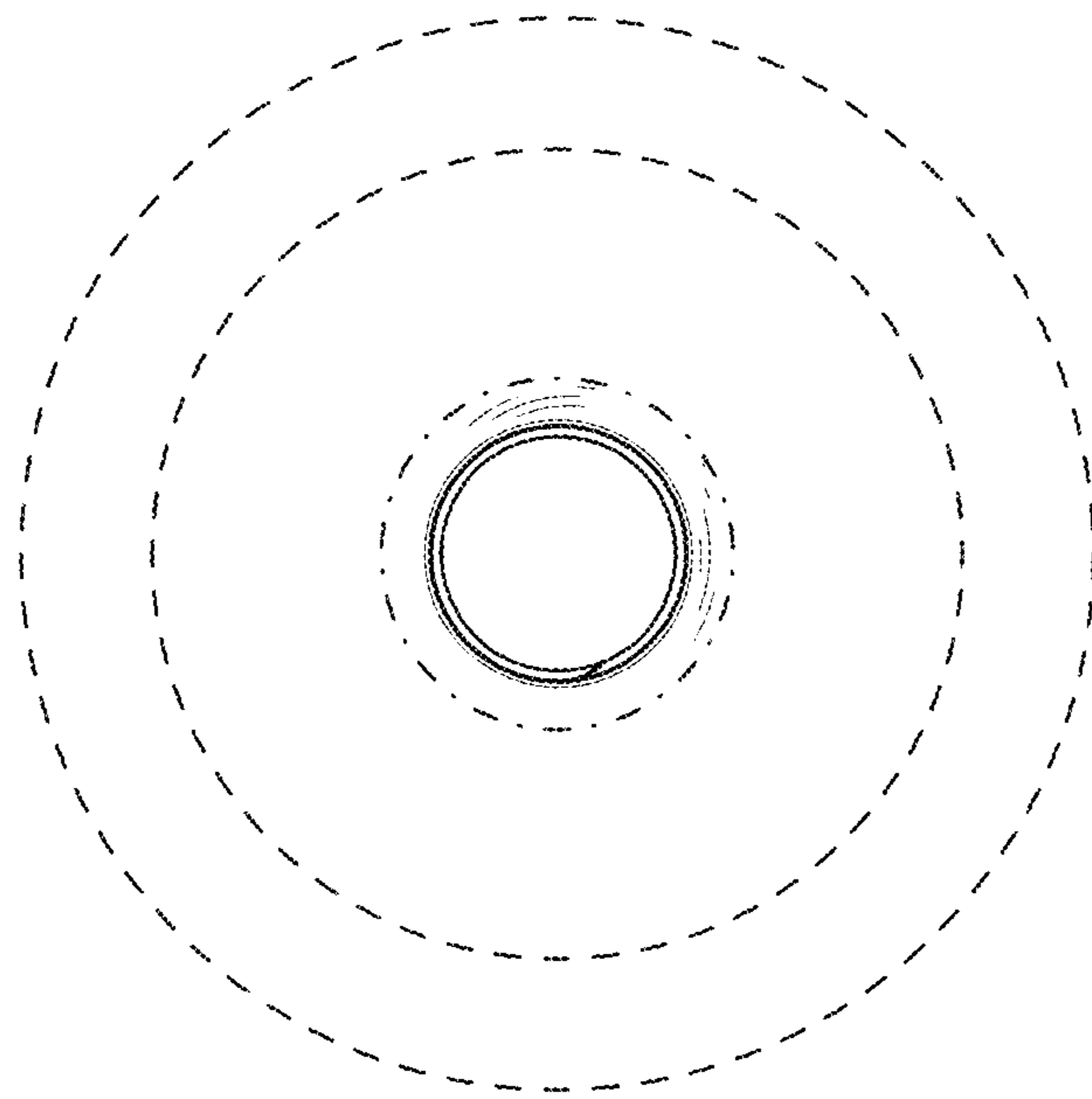


FIG 6

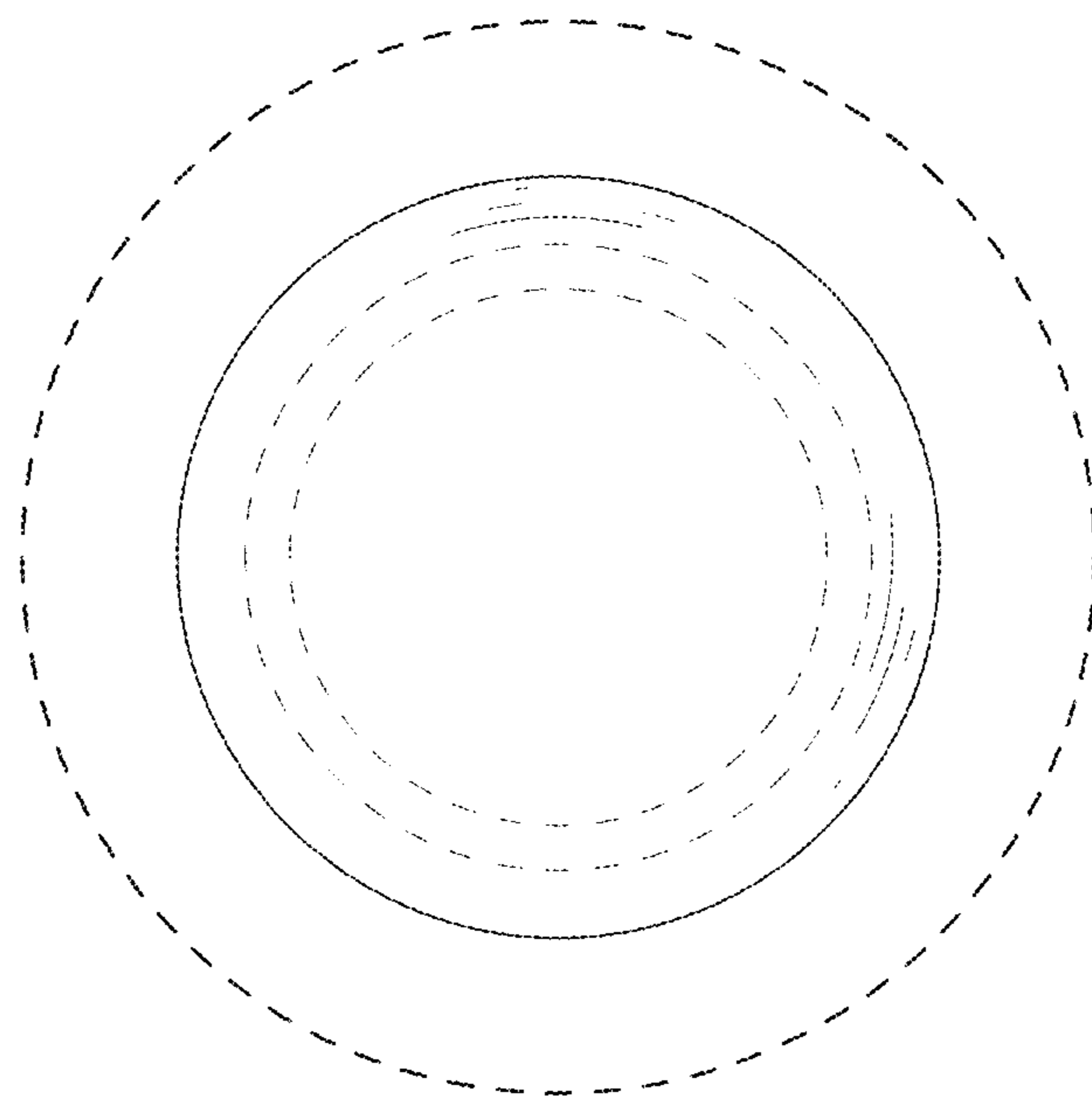


FIG 7