



US00D809922S

(12) **United States Design Patent**
Blagojevic

(10) **Patent No.:** **US D809,922 S**

(45) **Date of Patent:** **** Feb. 13, 2018**

(54) **SEALABLE CONTAINER**

(71) Applicant: **Stevan Blagojevic**, Eugene, OR (US)

(72) Inventor: **Stevan Blagojevic**, Eugene, OR (US)

(**) Term: **14 Years**

(21) Appl. No.: **29/515,318**

(22) Filed: **Jan. 21, 2015**

(51) **LOC (11) Cl.** **09-07**

(52) **U.S. Cl.**
USPC **D9/503**

(58) **Field of Classification Search**

USPC D9/434-436, 451, 542, 558, 521, 440,
D9/447, 499, 500, 502, 503, 504, 516,
D9/544, 553, 574; D7/300.1, 615;
D27/183, 190; D19/93; D24/224
CPC B29D 22/003; B65D 23/00; B65D 81/00;
B65D 83/00; B65D 1/00; B65D 1/02;
B65D 1/0223; B65D 2501/00; B65D
2501/0009

See application file for complete search history.

(56) **References Cited**

U.S. PATENT DOCUMENTS

2,757,821 A 8/1956 Fitch
2,790,576 A * 4/1957 Lawrence B65D 43/0222
215/316
2,928,530 A 3/1960 Sauey
3,215,304 A 11/1965 Rohé
3,458,079 A 7/1969 Gasbarra
3,593,873 A 7/1971 Vonk
3,696,957 A 10/1972 Van Baarn
D252,612 S * 8/1979 Mull D24/224
D254,241 S * 2/1980 Morin D7/612
D254,242 S * 2/1980 Morin D7/615
D256,053 S * 7/1980 Steigerwald D24/224
4,334,631 A 6/1982 Ballester
D276,872 S 12/1984 Williams
4,491,238 A 1/1985 Tobolt

4,566,588 A 1/1986 Kataczynski
D290,323 S * 6/1987 Weernink D7/511
4,757,894 A 7/1988 Schreckenstein
4,762,222 A 8/1988 Martin
D309,156 S * 7/1990 Kuwabara D19/115
4,942,991 A 7/1990 Lyons
D310,264 S * 8/1990 Leoncavallo D24/224
D310,781 S * 9/1990 Scott, III D9/504
5,215,207 A 6/1993 Stolzman
D337,261 S * 7/1993 Sherman D24/224

(Continued)

FOREIGN PATENT DOCUMENTS

CN 1796244 A 7/2006
GB 521263 A 5/1940

(Continued)

OTHER PUBLICATIONS

Jun. 29, 2016, First Action Interview Pilot Program Pre-Interview
Communication in U.S. Appl. No. 14/745,149, which is another
application of Applicant Stevan Blagojevic.

(Continued)

Primary Examiner — Sheryl Lane

Assistant Examiner — Calvin E Vansant

(74) *Attorney, Agent, or Firm* — Kolisch Hartwell, P.C.

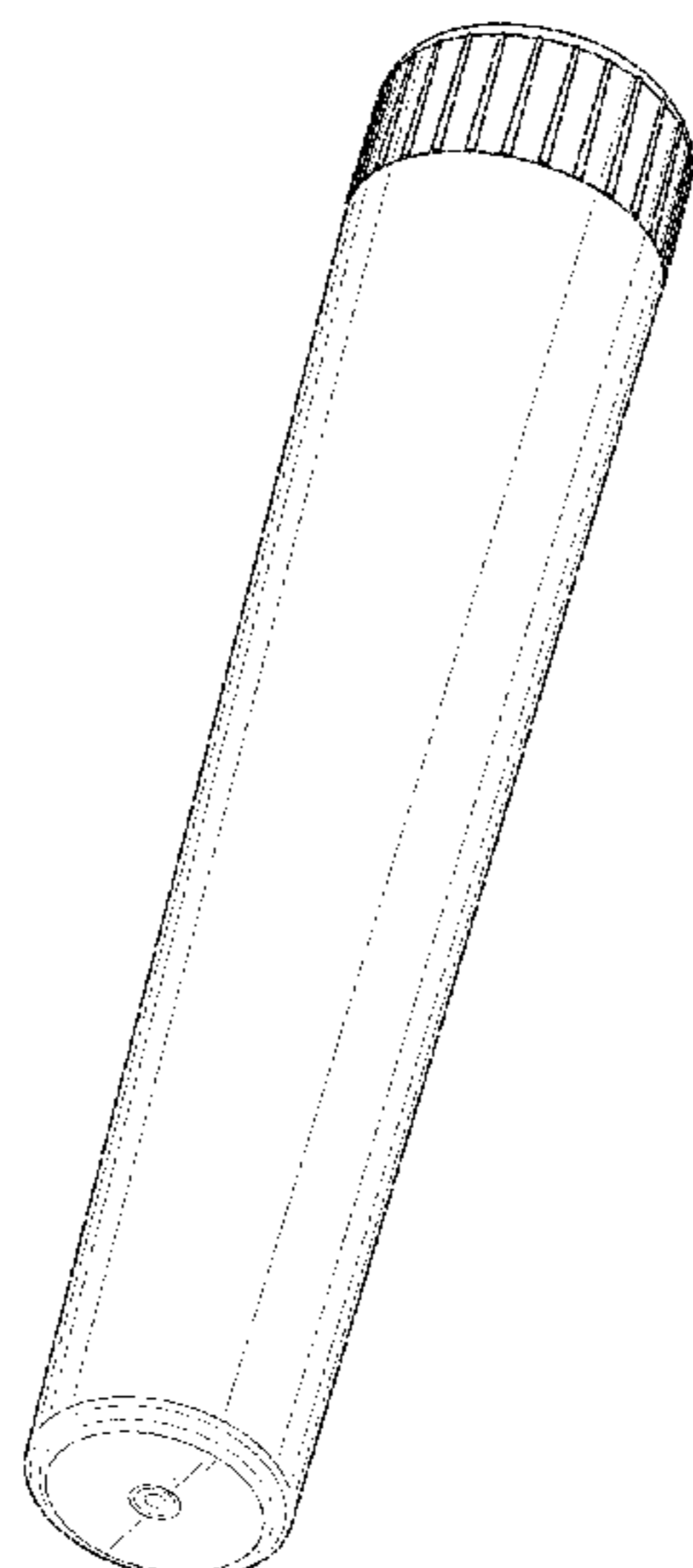
(57) **CLAIM**

What is claimed is the ornamental design for a sealable
container, as shown and described.

DESCRIPTION

FIG. 1 is a perspective view from beneath a sealable
container, showing my new design;
FIG. 2 is a left side view thereof; the right side, front, and
rear views are all identical to FIG. 2 and are not shown;
FIG. 3 is an enlarged top view thereof; and,
FIG. 4 is an enlarged bottom view thereof.

1 Claim, 3 Drawing Sheets



(56)

References Cited

U.S. PATENT DOCUMENTS

D357,985	S *	5/1995	Burns	D24/224
5,680,946	A	10/1997	Cochran		
D394,522	S *	5/1998	Putnam	D27/183
5,875,918	A	3/1999	Sheffler et al.		
D425,625	S *	5/2000	Niermann	D24/122
6,250,494	B1	6/2001	Diamond		
6,716,396	B1 *	4/2004	Anderson	B01L 3/0275 215/232
D522,866	S *	6/2006	Bakic	D9/521
D541,479	S *	4/2007	Cronin	D28/90
D580,597	S *	11/2008	Mascotte	D28/76
D610,700	S *	2/2010	Khoury	D24/121
D621,951	S *	8/2010	Bucholtz	D24/224
D623,475	S *	9/2010	Aarnoudse	D7/510
D627,604	S *	11/2010	Eyal	D7/510
D631,169	S *	1/2011	Cheeley	D24/224
8,083,094	B2	12/2011	Caulfield et al.		
D668,778	S *	10/2012	Motadel	D24/224
8,448,814	B2	5/2013	Yamamoto et al.		
D687,304	S *	8/2013	Tanner	D24/121
9,090,385	B2	7/2015	Blagojevic		
D786,679	S *	5/2017	Barroso Miana	D9/504
D789,201	S *	6/2017	Yu	D9/453
2004/0173613	A1	9/2004	Schroeder et al.		
2010/0193533	A1	8/2010	Roesler		
2011/0174369	A1	7/2011	Sibley		
2011/0233076	A1	9/2011	Potterfield et al.		
2014/0008377	A1	1/2014	Findleton		
2015/0284151	A1	10/2015	Blagojevic		
2016/0167841	A1	6/2016	Blagojevic		
2017/0003205	A1 *	1/2017	Kabir	G01N 1/405

FOREIGN PATENT DOCUMENTS

GB	671086	A	4/1952
WO	2006070965	A1	7/2006
WO	2015010136	A1	1/2015

OTHER PUBLICATIONS

Oct. 18, 2016, Office action in U.S. Appl. No. 14/971,831, which is another application of Applicant Stevan Blagojevic.

Oct. 26, 2016, First Action Interview Office action in U.S. Appl. No. 14/745,149, which is another application of Applicant Stevan Blagojevic.

Cabela's, photographs of ammunition box (big box), Applicant indicates to consider it as if prior art but date is unknown, circa before Jul. 18, 2013.

Cabela's, photographs of ammunition box (little box), Applicant indicates to consider it as if prior art but date is unknown, circa before Jul. 18, 2013.

Unknown author, photographs of storage box with slats (purple box), Applicant indicates to consider it as if prior art but date is unknown, circa before Jul. 18, 2013.

Unknown author, photographs of closable capsule (1 of 2), Applicant indicates to consider it as if prior art but date is unknown, circa before Jul. 18, 2013.

Unknown author, photographs of closable capsule (2 of 2), Applicant indicates to consider it as if prior art but date is unknown, circa before Jul. 18, 2013.

Feb. 8, 2017, First Office Action from the State Intellectual Property Office of China, in Chinese Application No. 201480040942.0, which is a foreign application of Applicant Stevan Blagojevic.

Nov. 3, 2014, First Action Interview Pilot Program Pre-Interview Communication, in U.S. Appl. No. 14/337,119, which is another application of applicant Stevan Blagojevic.

Nov. 12, 2014, International Search Report of the International Searching Authority from the U.S. Receiving Office, in PCTUS2014047488, which is another application of applicant Stevan Blagojevic.

Nov. 12, 2014, Written Opinion of the International Searching Authority from the U.S. Receiving Office, in PCTUS2014047488, which is another application of applicant Stevan Blagojevic.

Feb. 2, 2015, First Action Interview Office Action from the U.S. Patent and Trademark Office, in U.S. Appl. No. 14/337,119, which is another application of applicant Stevan Blagojevic.

Apr. 1, 2016, International Search Report of the International Searching Authority from the U.S. Receiving Office, in PCTUS2015066187, which is the another application of applicant Stevan Blagojevic.

Apr. 1, 2016, Written Opinion of the International Searching Authority from the U.S. Receiving Office, in PCTUS2015066187, which is the another application of applicant Stevan Blagojevic.

* cited by examiner

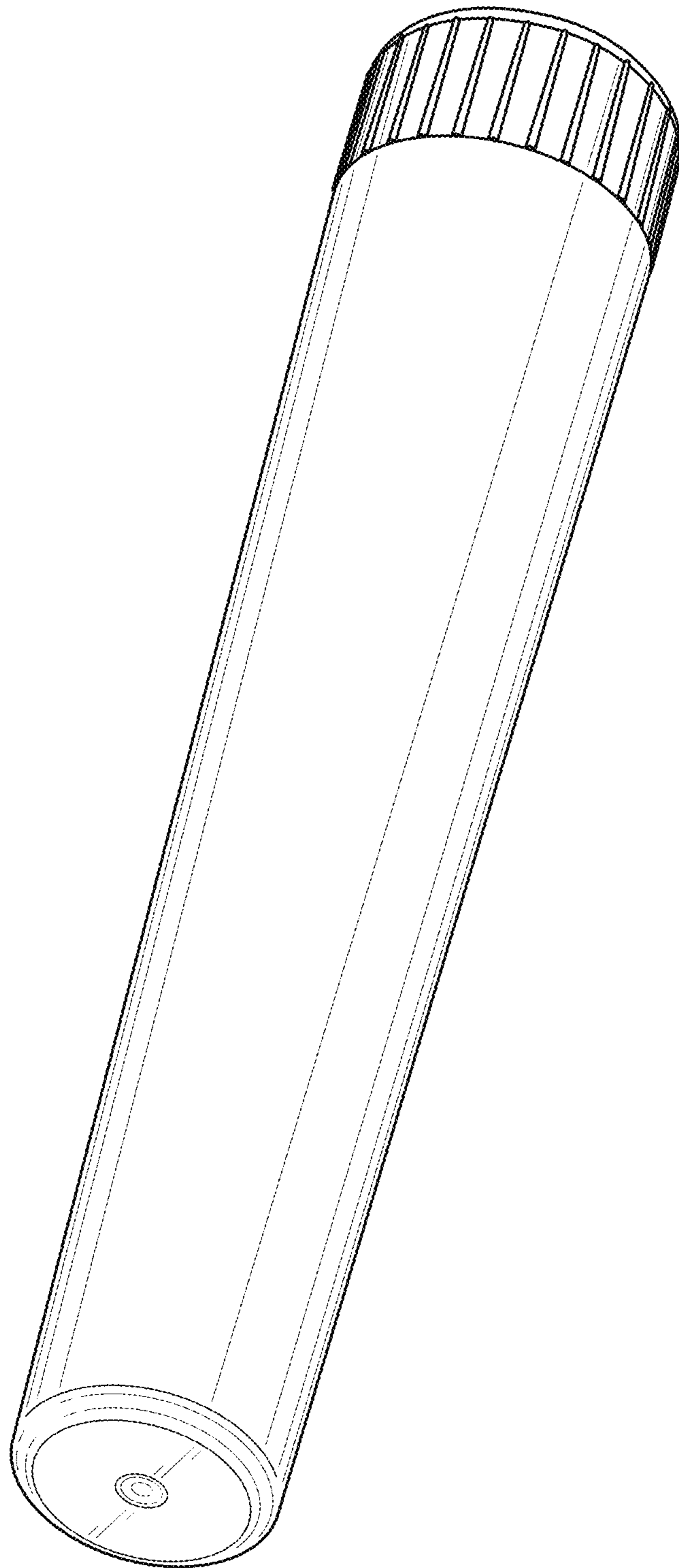


FIG. 1

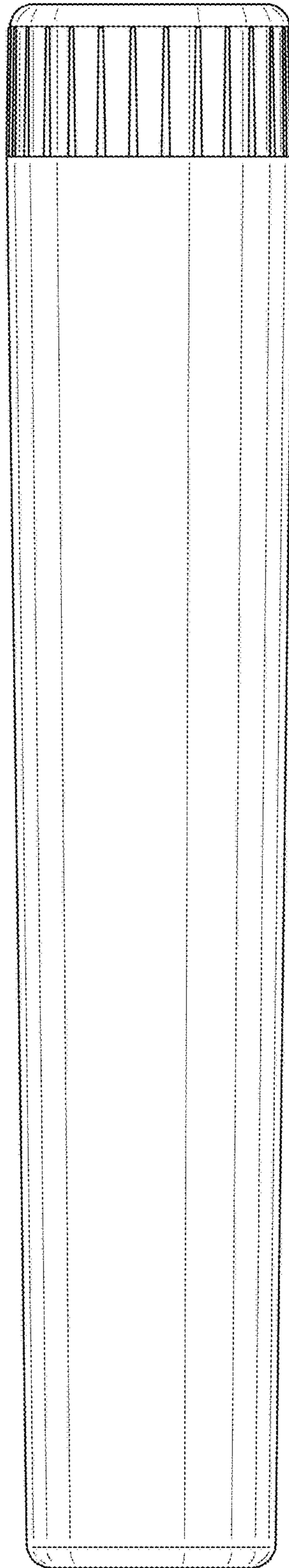


FIG. 2

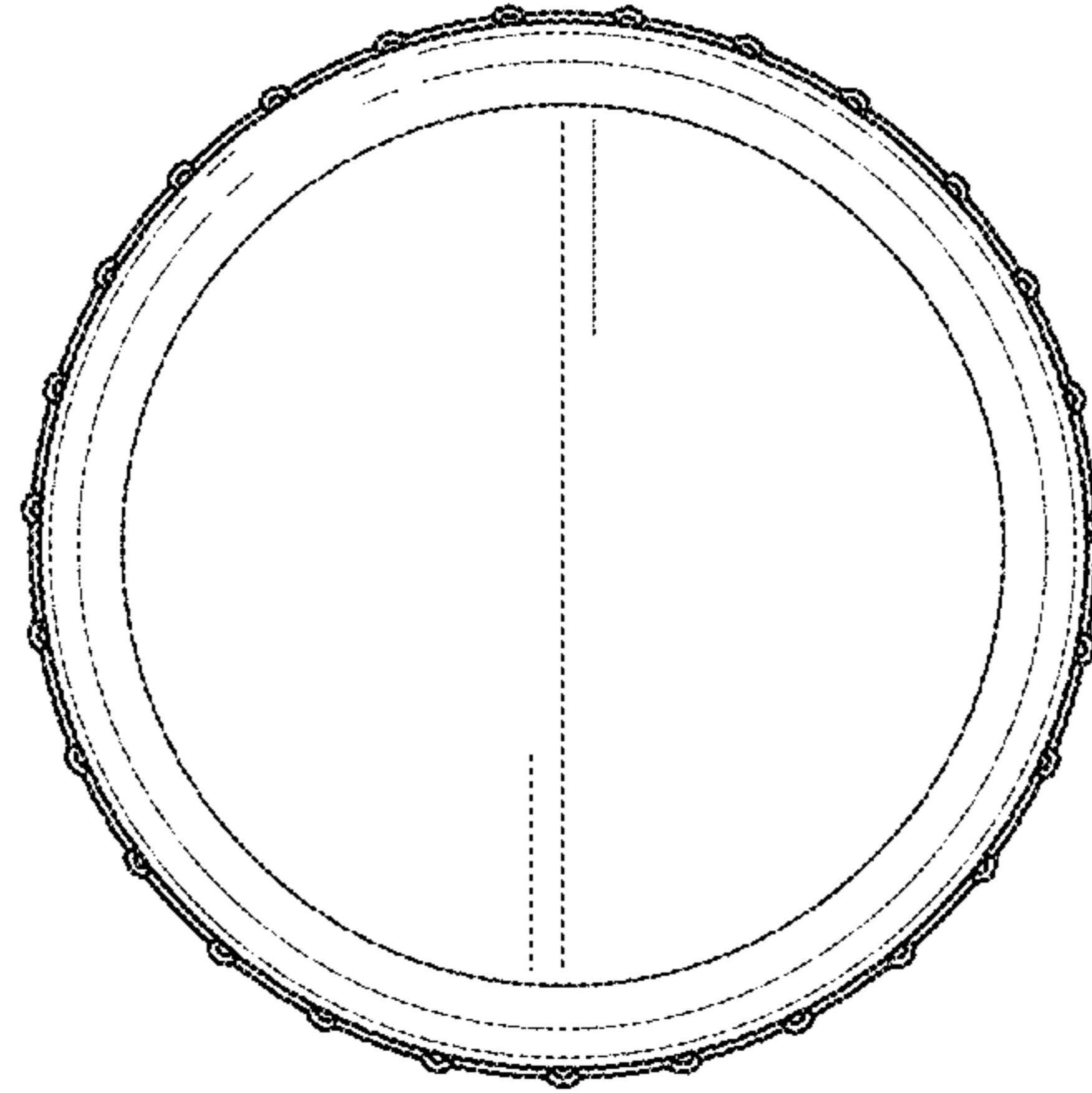


FIG. 3

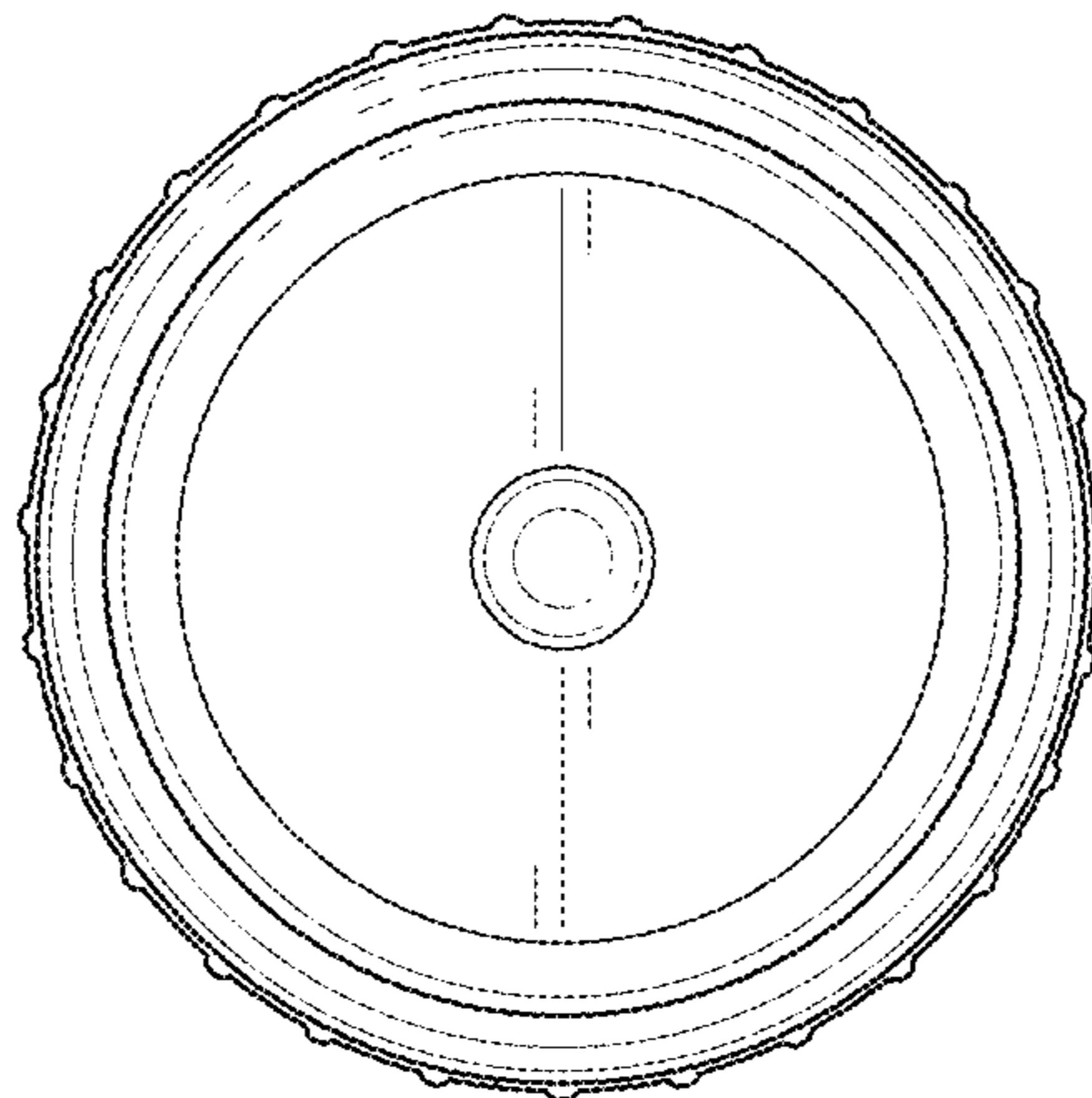


FIG. 4