



US00D809920S

(12) **United States Design Patent**  
**Maple**

(10) **Patent No.:** **US D809,920 S**

(45) **Date of Patent:** **\*\* Feb. 13, 2018**

(54) **CONTAINER LID**

(71) Applicant: **Wade Maple**, Spokane, WA (US)

(72) Inventor: **Wade Maple**, Spokane, WA (US)

(73) Assignee: **Zak Designs, Inc.**, Spokane, WA (US)

(\*\*) Term: **15 Years**

(21) Appl. No.: **29/540,264**

(22) Filed: **Sep. 22, 2015**

(51) **LOC (11) Cl.** ..... **09-07**

(52) **U.S. Cl.**  
USPC ..... **D9/443**; D9/449; D7/392.1; D7/396.2

(58) **Field of Classification Search**  
USPC ..... D9/429, 434, 435, 443-450, 452, 454,  
D9/499, 553, 554, 559, 560, 561;  
D7/387, 392, 393, 396.2, 396.4, 509, 510,  
D7/511, 514; D3/202, 203.2, 223, 264,  
D3/294, 304, 318  
CPC .. A61J 1/00; A61J 1/1412; B65D 1/00; B65D  
1/02; B65D 1/10; B65D 1/46; B65D  
2585/56; B65D 2585/545; B65D 41/00;  
B65D 41/56; B65D 41/62; B65D 47/06;  
B65D 47/08; B65D 2543/00046; B65D  
2543/00092; B65D 2543/00296  
See application file for complete search history.

(56) **References Cited**

**U.S. PATENT DOCUMENTS**

- 5,354,031 A \* 10/1994 Bilotti ..... E04H 12/2238  
248/511
- 5,743,505 A \* 4/1998 Sofy ..... A47G 33/12  
248/346.01
- D454,066 S \* 3/2002 Trabal ..... D9/443
- D476,231 S \* 6/2003 Paquette ..... D24/194
- D476,568 S \* 7/2003 Mechtold ..... D24/120
- D551,550 S \* 9/2007 Noonan ..... D9/454
- D626,837 S \* 11/2010 Meyers ..... D9/443
- D626,838 S \* 11/2010 Meyers ..... D9/443

- D653,081 S \* 1/2012 George ..... D7/316
- D657,196 S \* 4/2012 Beyers, III ..... D7/513
- D672,238 S \* 12/2012 Aziz ..... D7/510
- D676,744 S \* 2/2013 Nickel ..... D9/435
- D680,430 S \* 4/2013 Nickel ..... D9/436

(Continued)

*Primary Examiner* — Karen S Acker

*Assistant Examiner* — Wendy Arminio

(74) *Attorney, Agent, or Firm* — Randall Danskin P.S.

(57) **CLAIM**

I claim the ornamental design for a container lid, as shown and described.

**DESCRIPTION**

FIG. 1 is a perspective top, front and left side view of a container lid in an assembled configuration, showing my new design;

FIG. 2 is left elevation view thereof;

FIG. 3 is a rear elevation view thereof;

FIG. 4 is a front elevation view thereof;

FIG. 5 is a top plan view thereof;

FIG. 6 is a bottom plan view thereof;

FIG. 7 is a perspective view of the bottom portion of the container lid of FIG. 1 shown disassembled from the top portion;

FIG. 8 is a side elevation view thereof;

FIG. 9 is a top plan view thereof;

FIG. 10 is a bottom plan view thereof;

FIG. 11 is a perspective top, front and left side view of the top portion of the container lid of FIG. 1 shown disassembled from the bottom portion;

FIG. 12 is a left elevation view thereof;

FIG. 13 is a rear elevation view thereof;

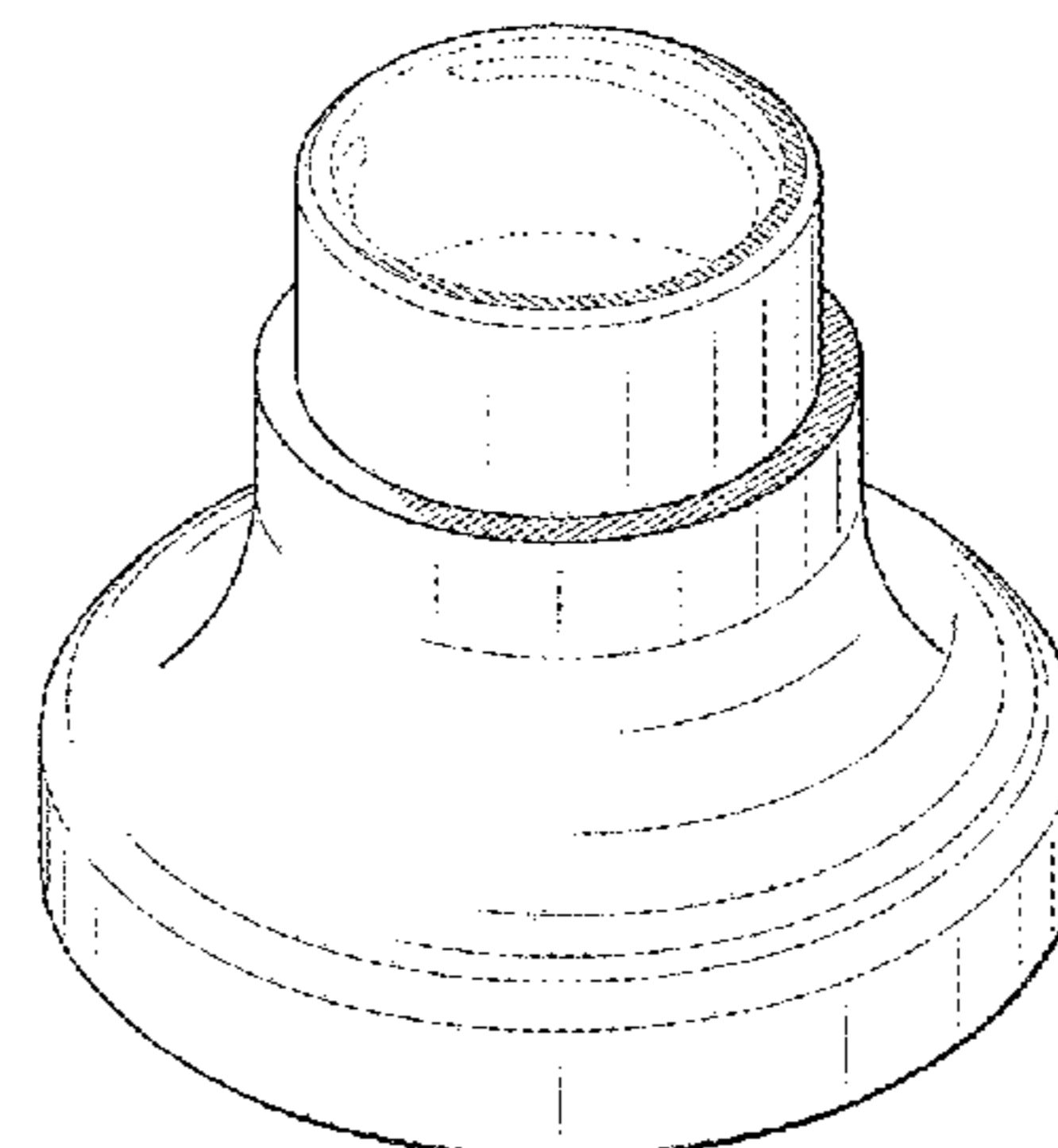
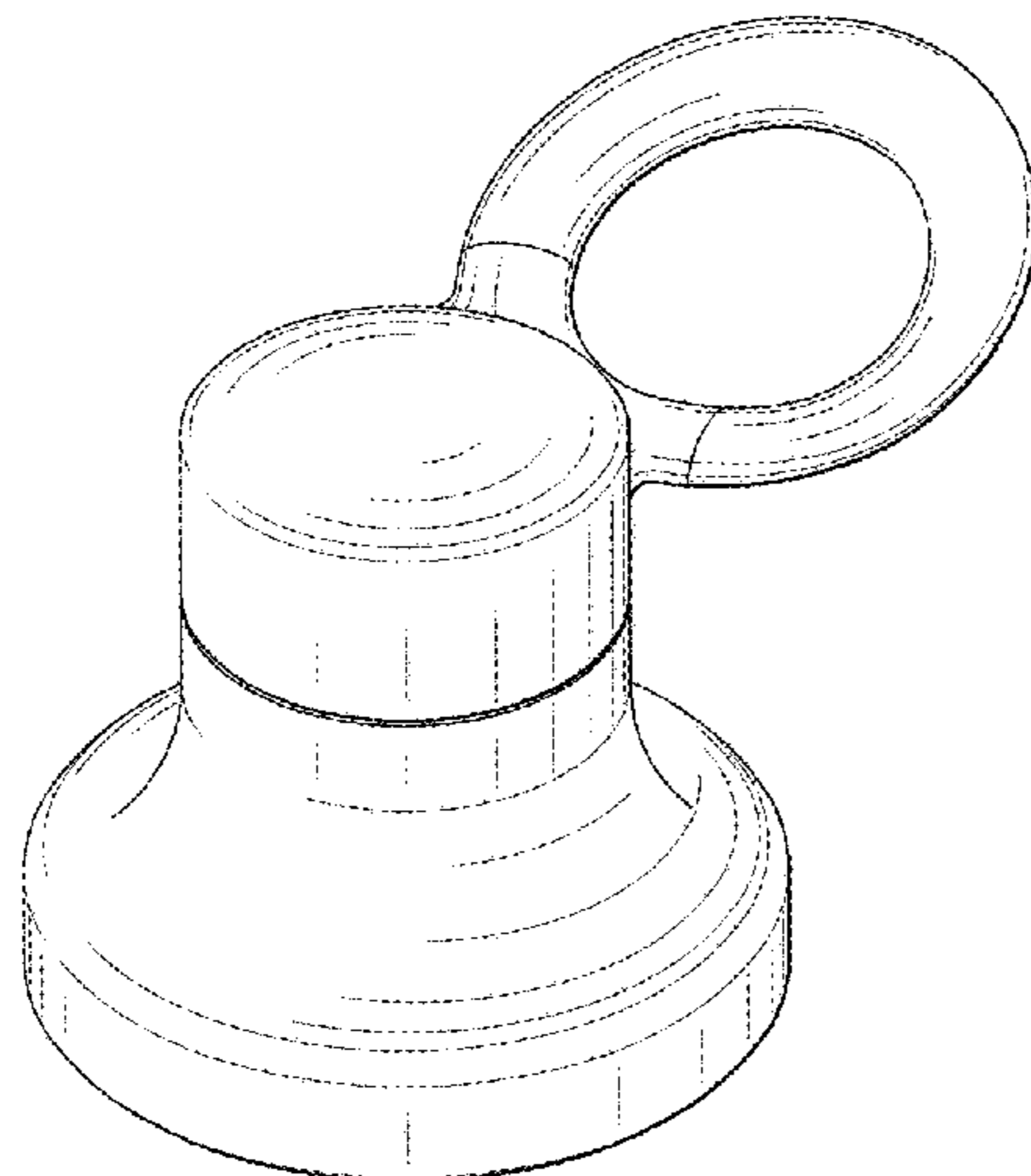
FIG. 14 is a front elevation view thereof;

FIG. 15 is a top plan view thereof; and,

FIG. 16 is a bottom plan view thereof.

The broken lines in the drawings depict portions of the container lid that form no part of the claimed design.

**1 Claim, 13 Drawing Sheets**



(56)

**References Cited**

U.S. PATENT DOCUMENTS

D700,012 S *	2/2014	Hurley .....	D7/392.1
D719,780 S *	12/2014	Sullivan .....	D7/392.1
D735,578 S *	8/2015	Mazurkiewicz .....	D9/443
D742,230 S *	11/2015	Charles .....	D7/396.2
D745,827 S *	12/2015	Sorensen .....	D7/392.1
D748,943 S *	2/2016	Miller .....	D7/392.1
D760,080 S *	6/2016	Gorbold .....	D9/443
D768,491 S *	10/2016	Sorensen .....	D7/392.1
D786,012 S *	5/2017	Hein .....	D7/396.2
D787,886 S *	5/2017	Cerasani .....	D7/300.1
2012/0006821 A1 *	1/2012	Sanford .....	B67C 9/00 220/254.1

\* cited by examiner

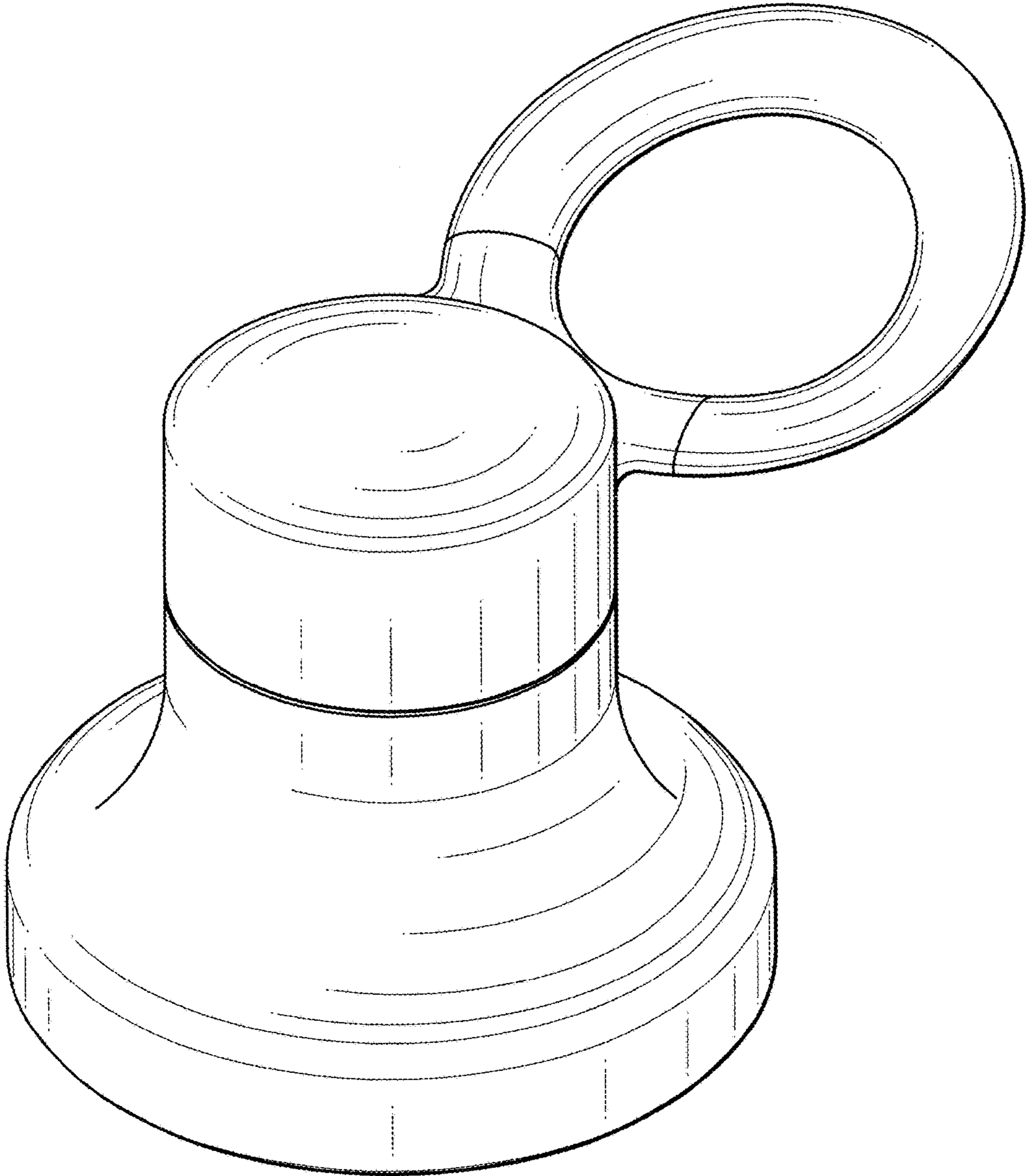


FIG. 1

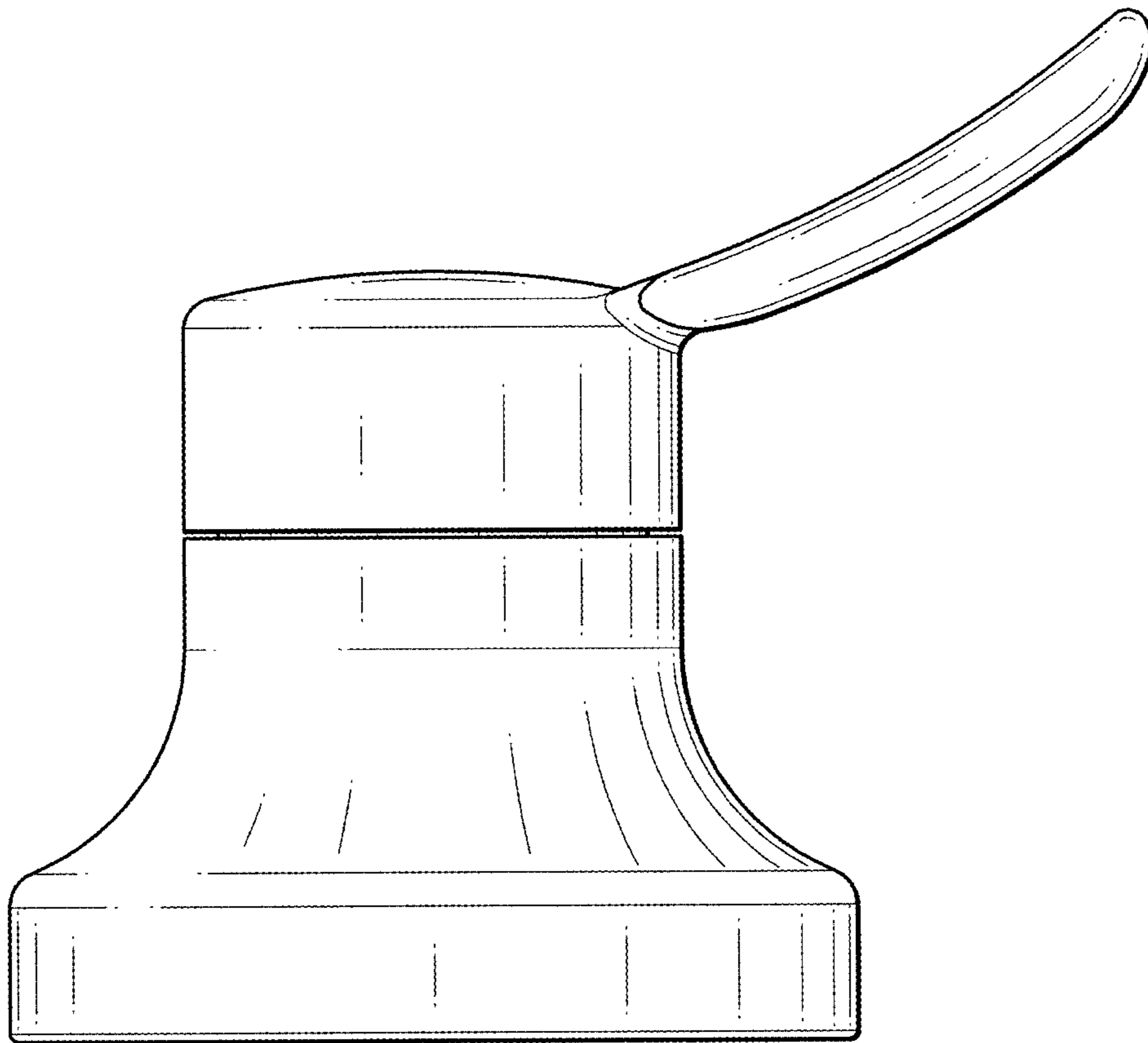


FIG. 2

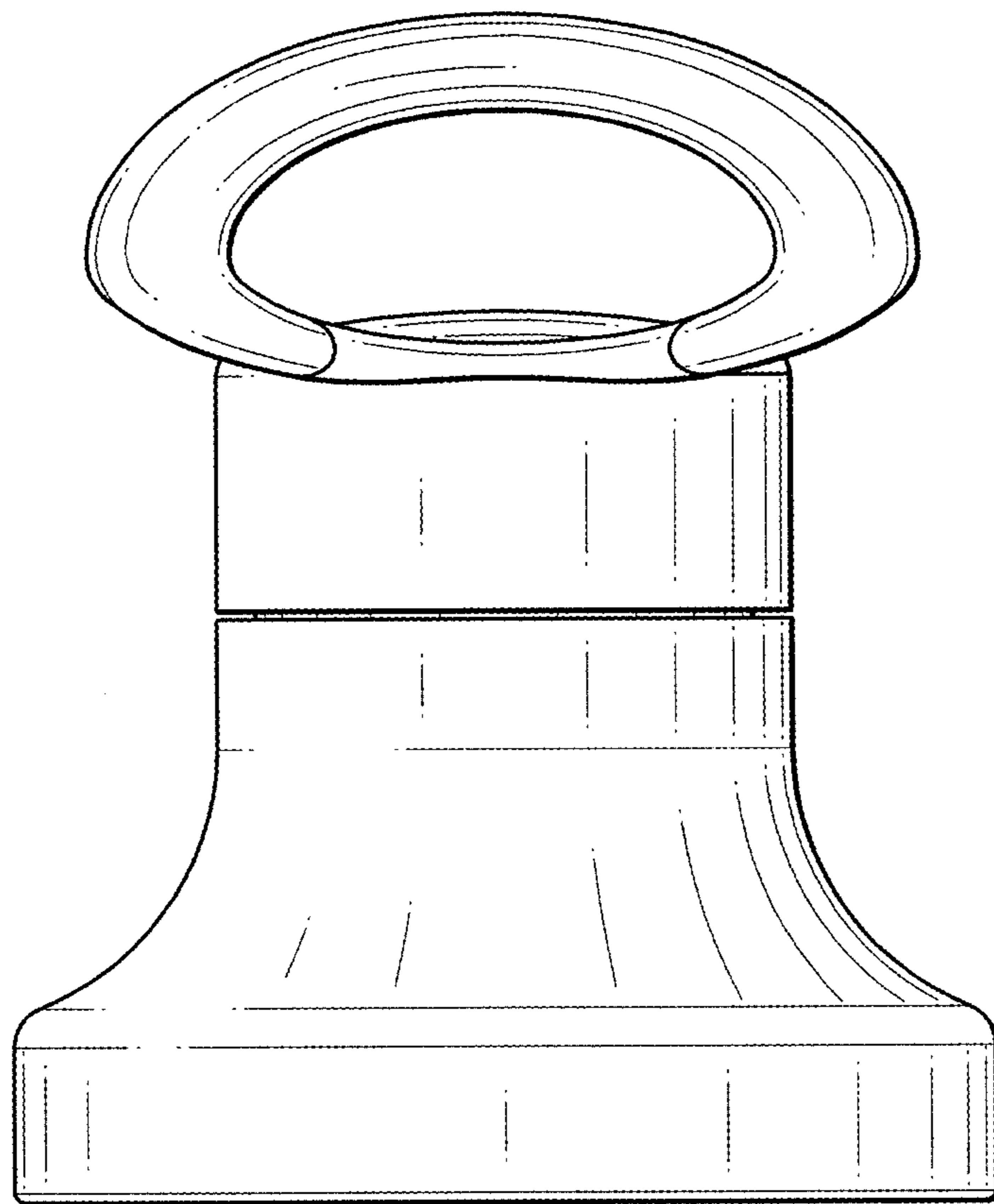


FIG. 3

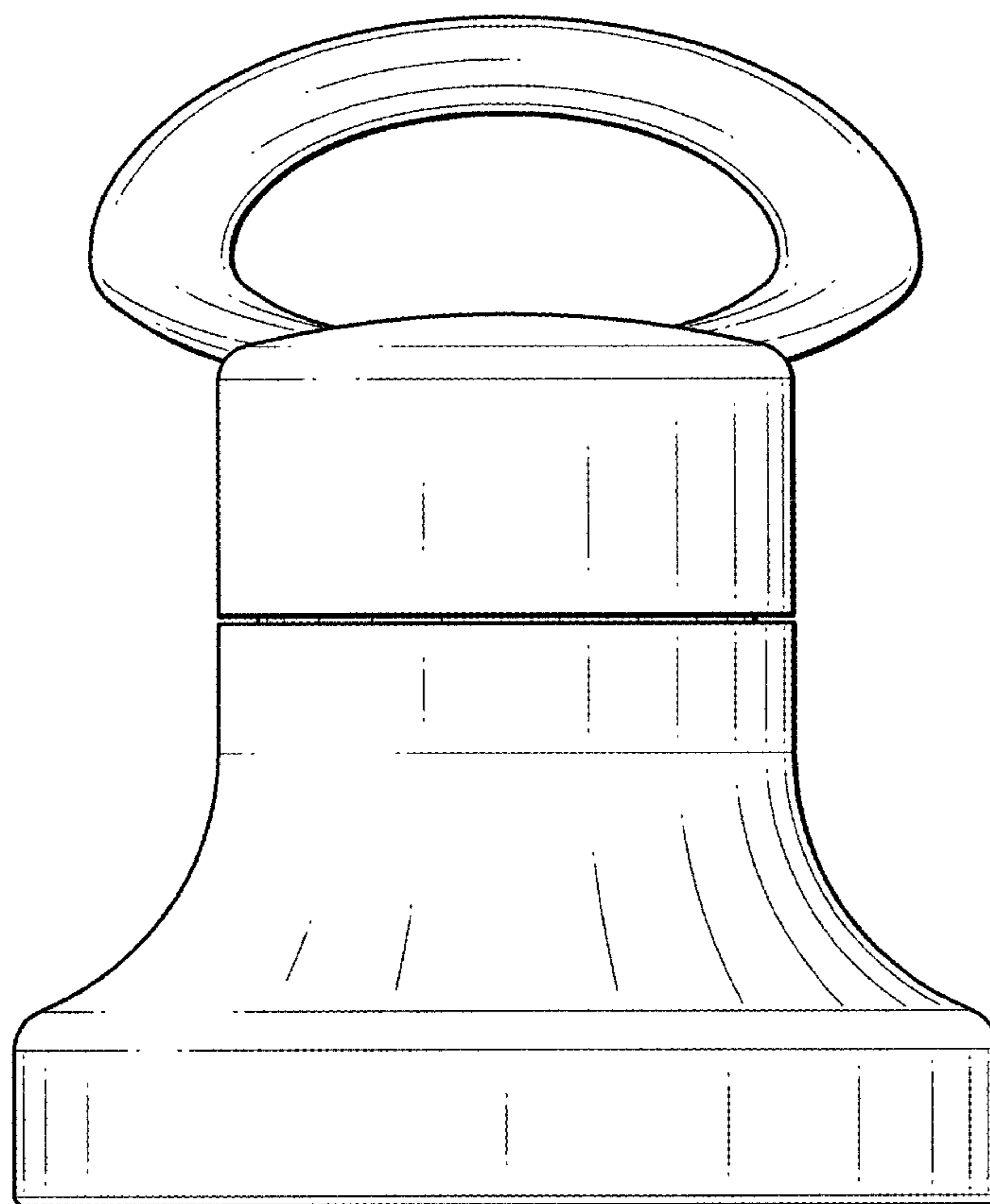


FIG. 4



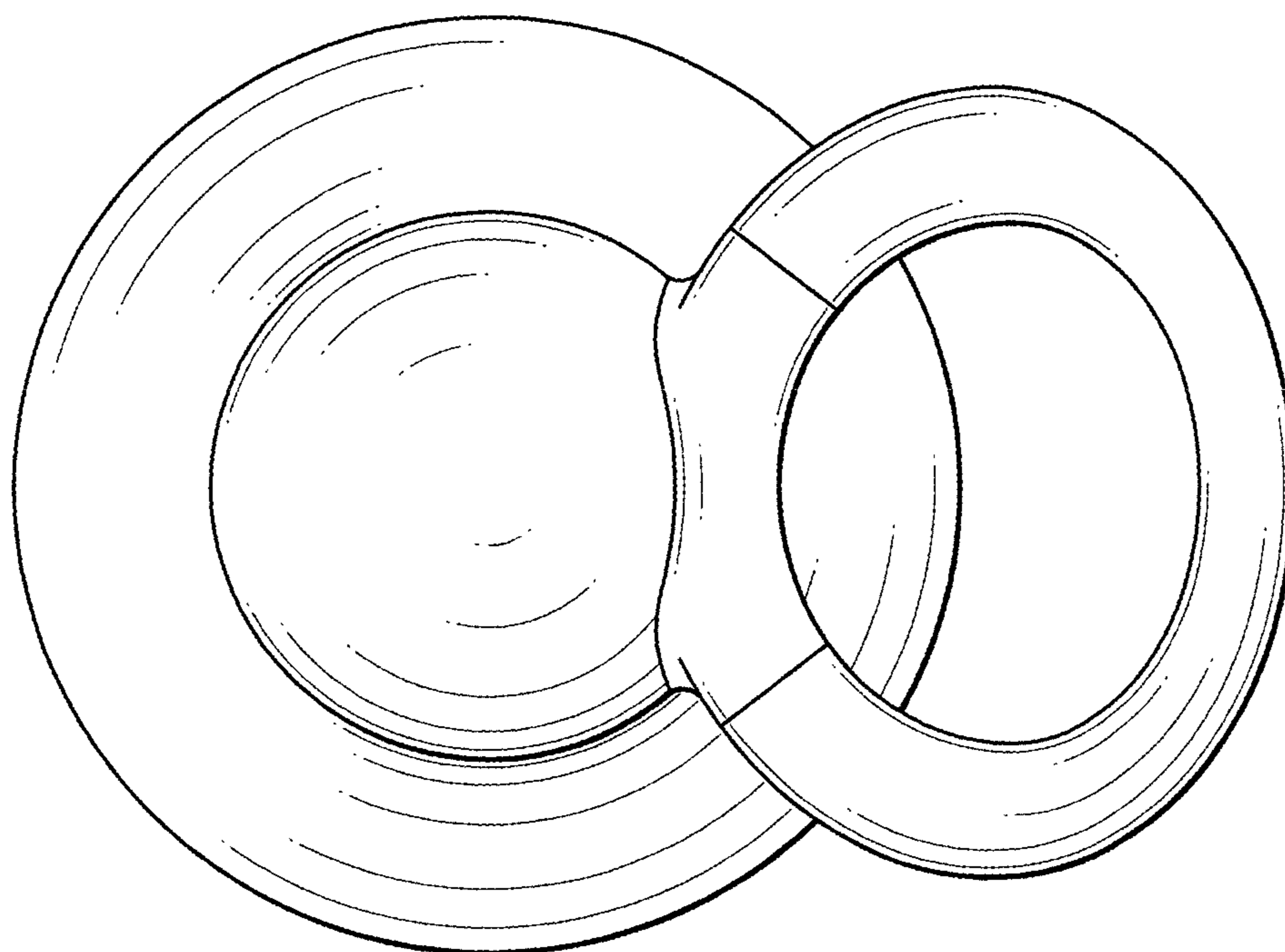


FIG. 5

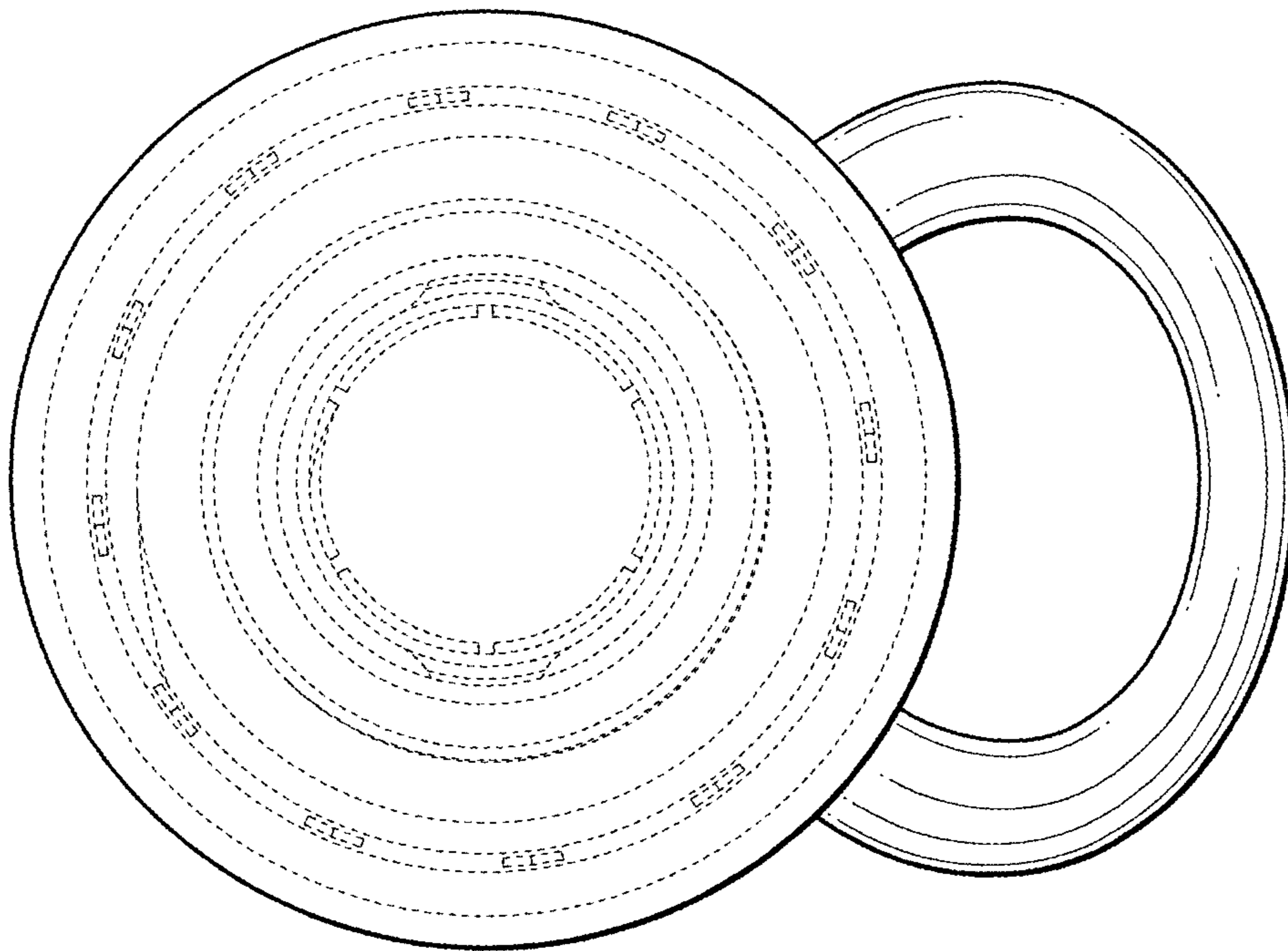


FIG. 6



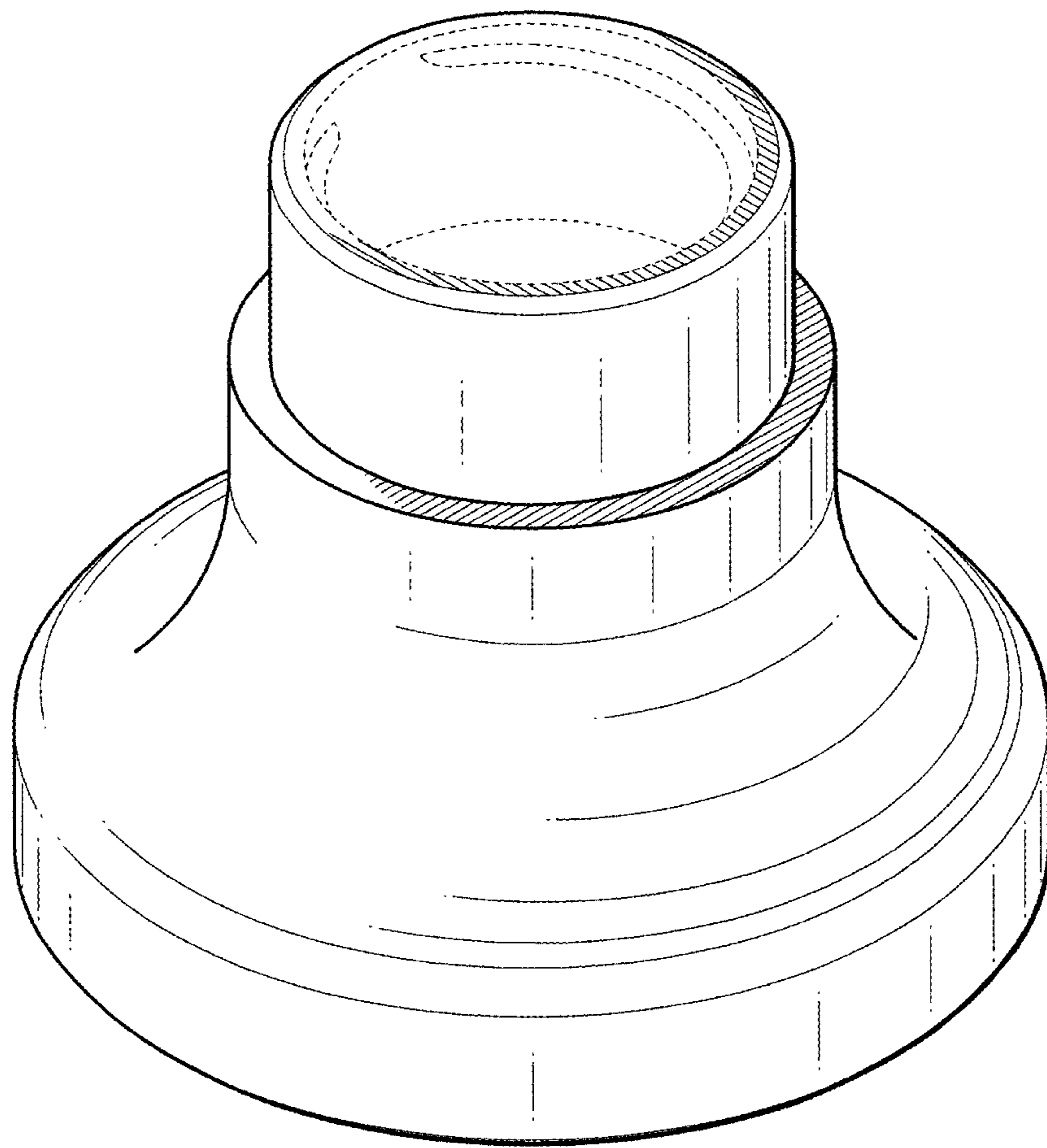


FIG. 7

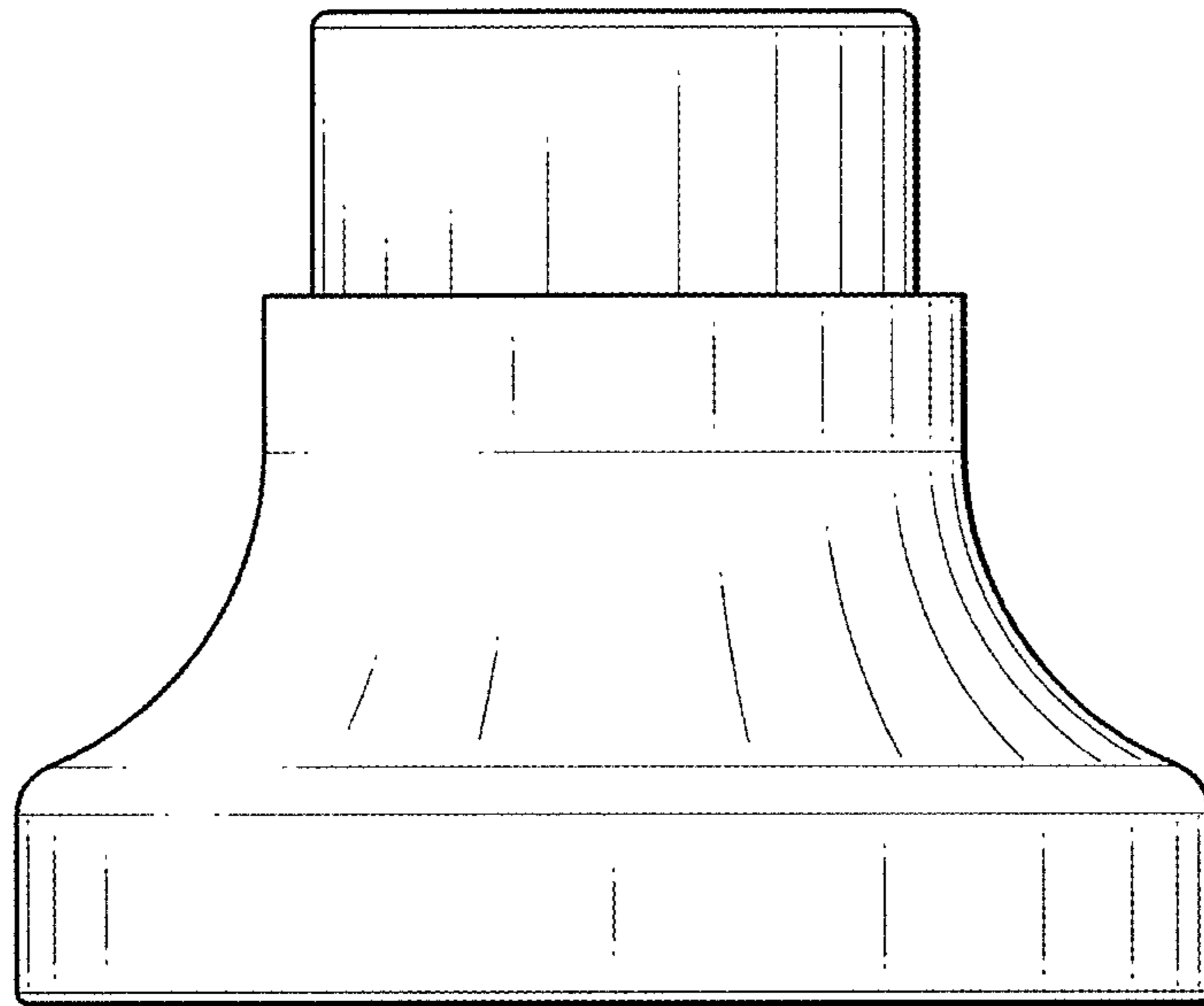


FIG. 8

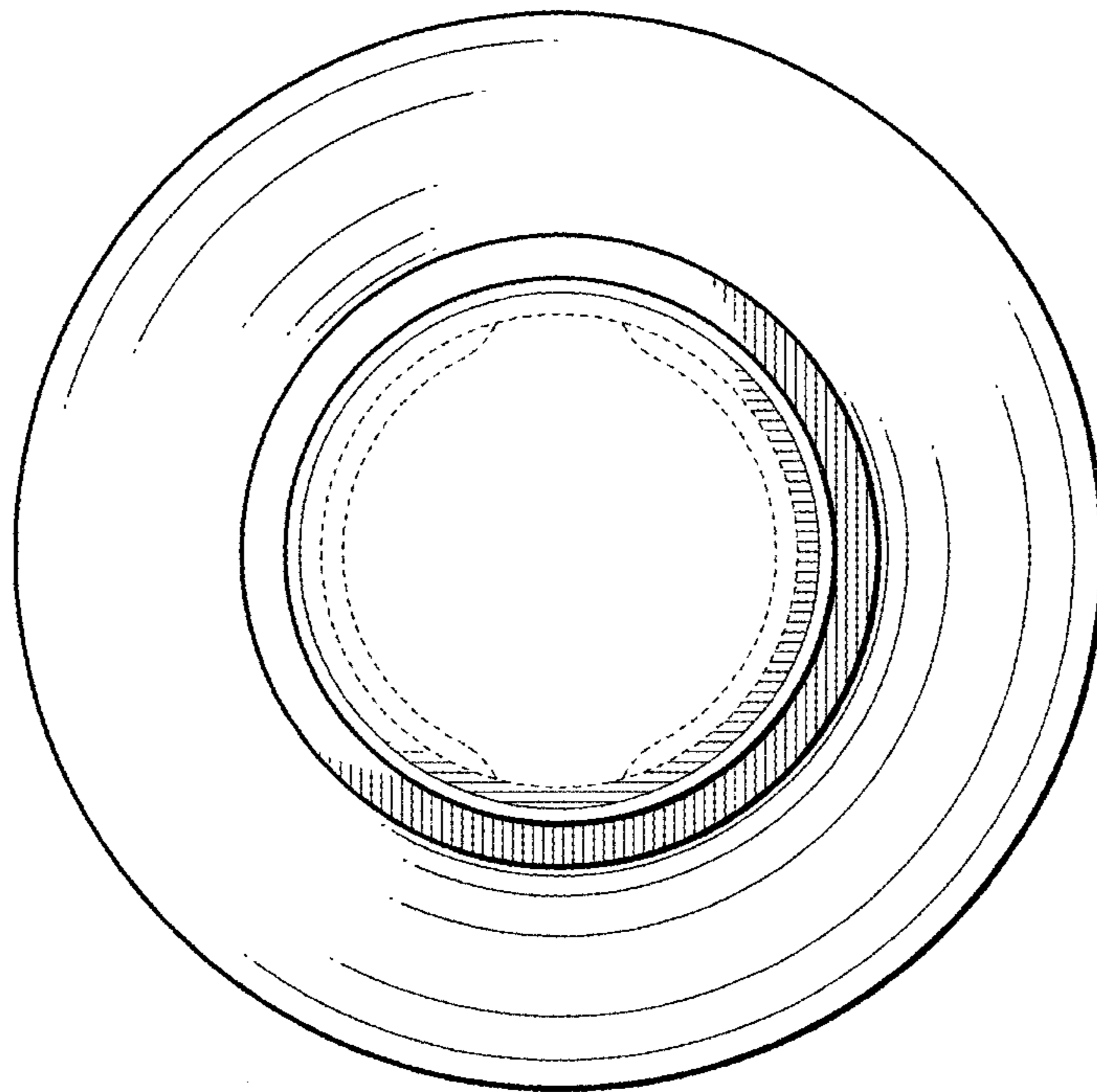


FIG. 9

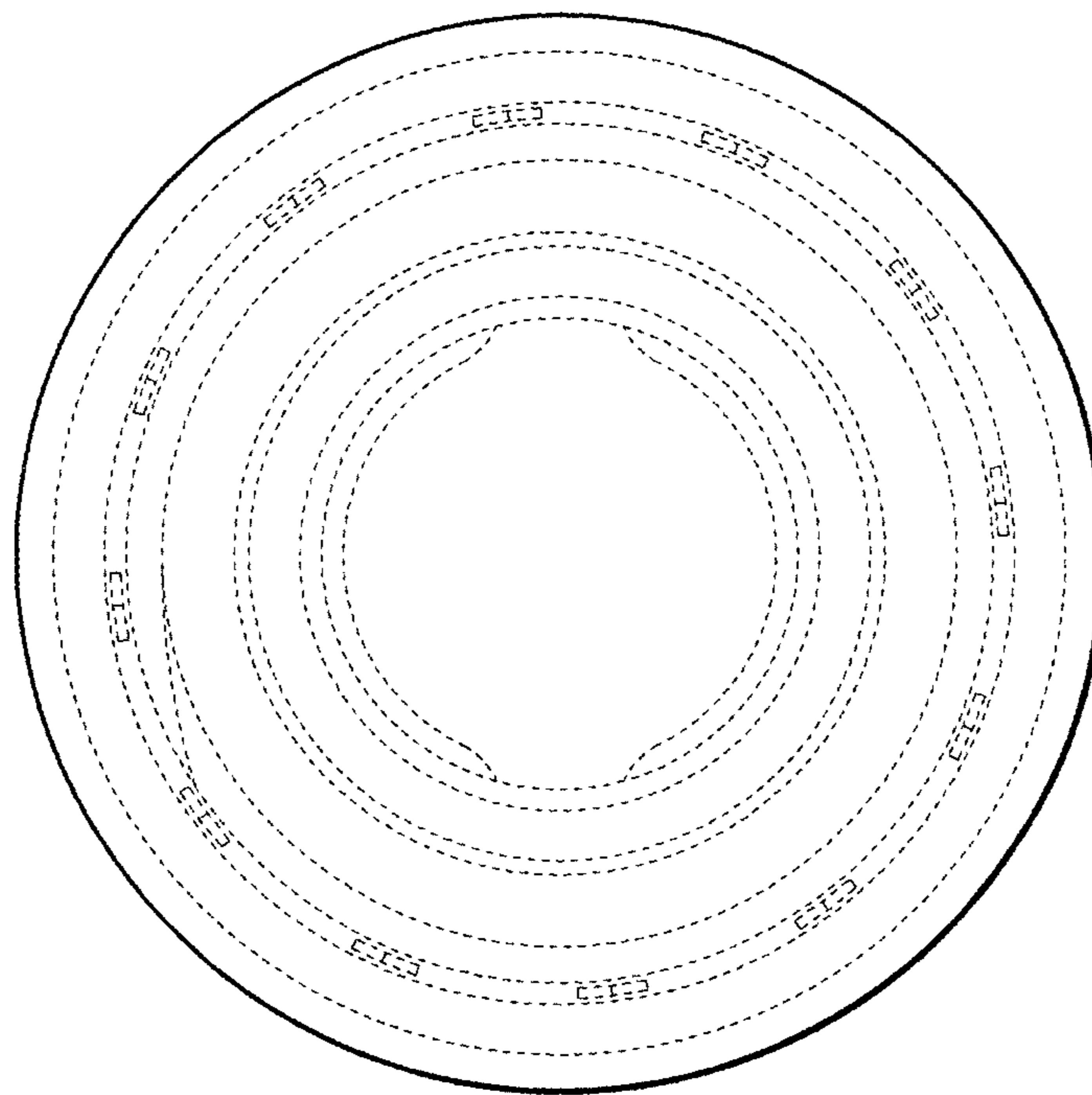


FIG. 10

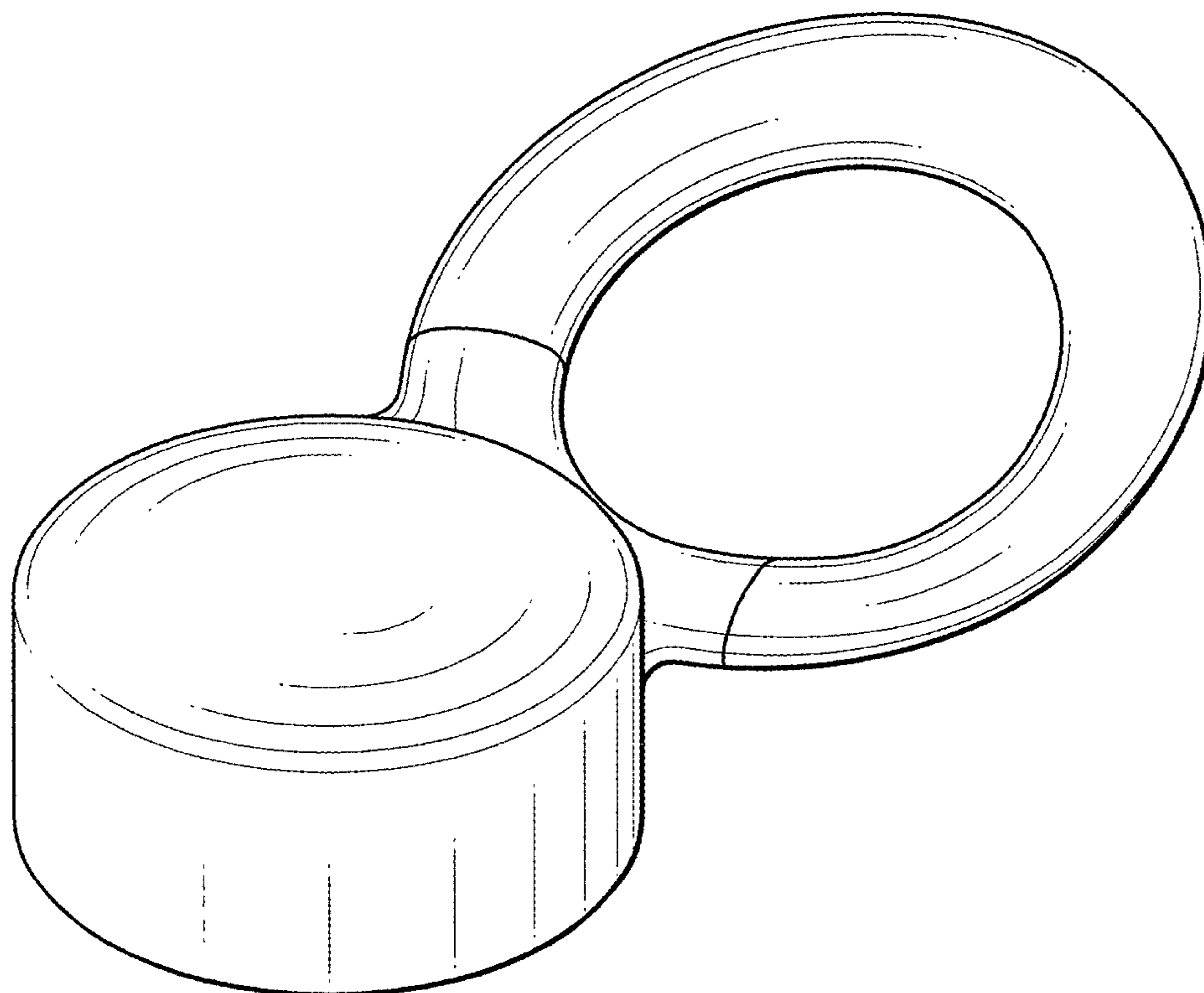


FIG. 11

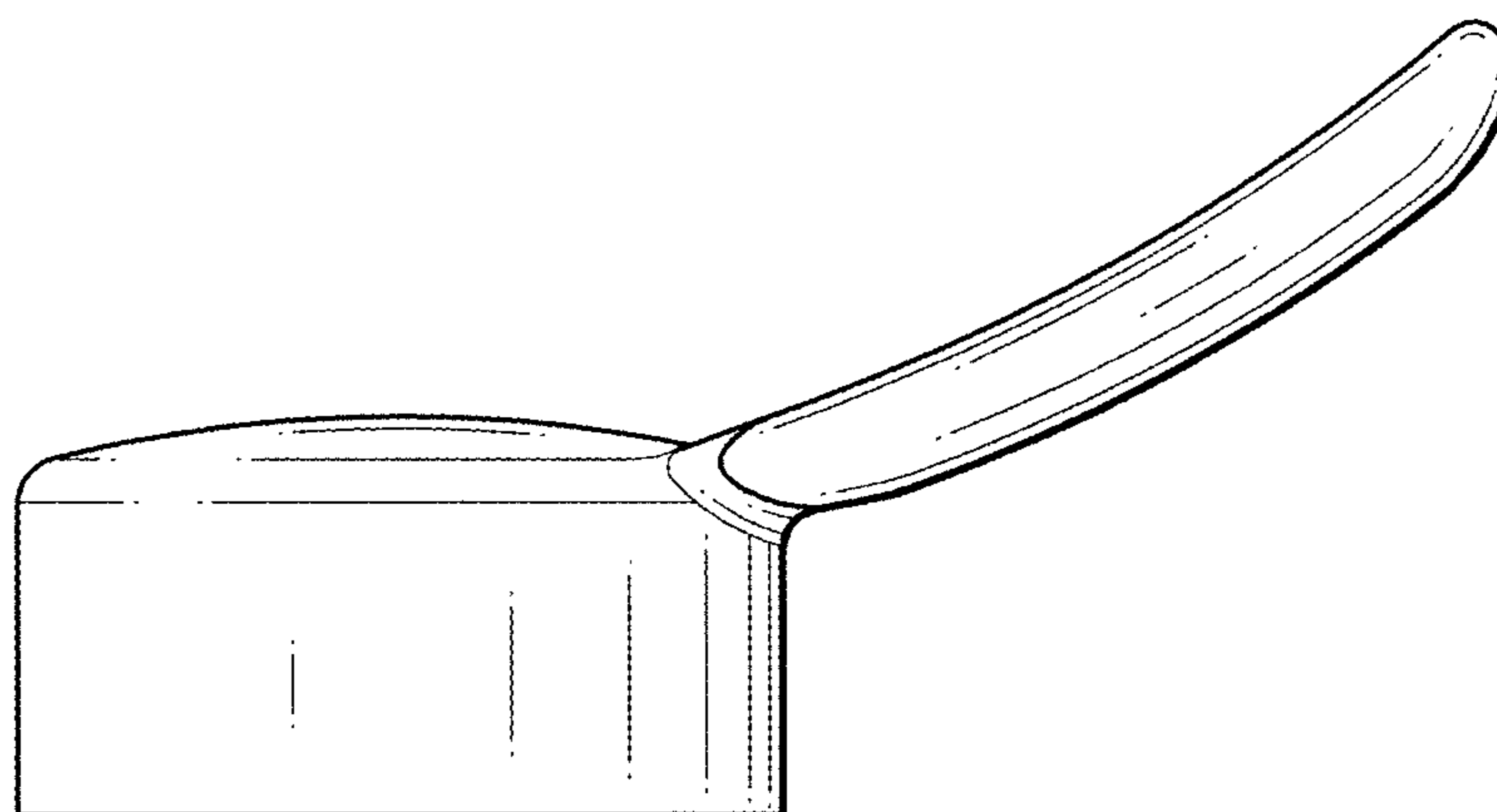


FIG. 12

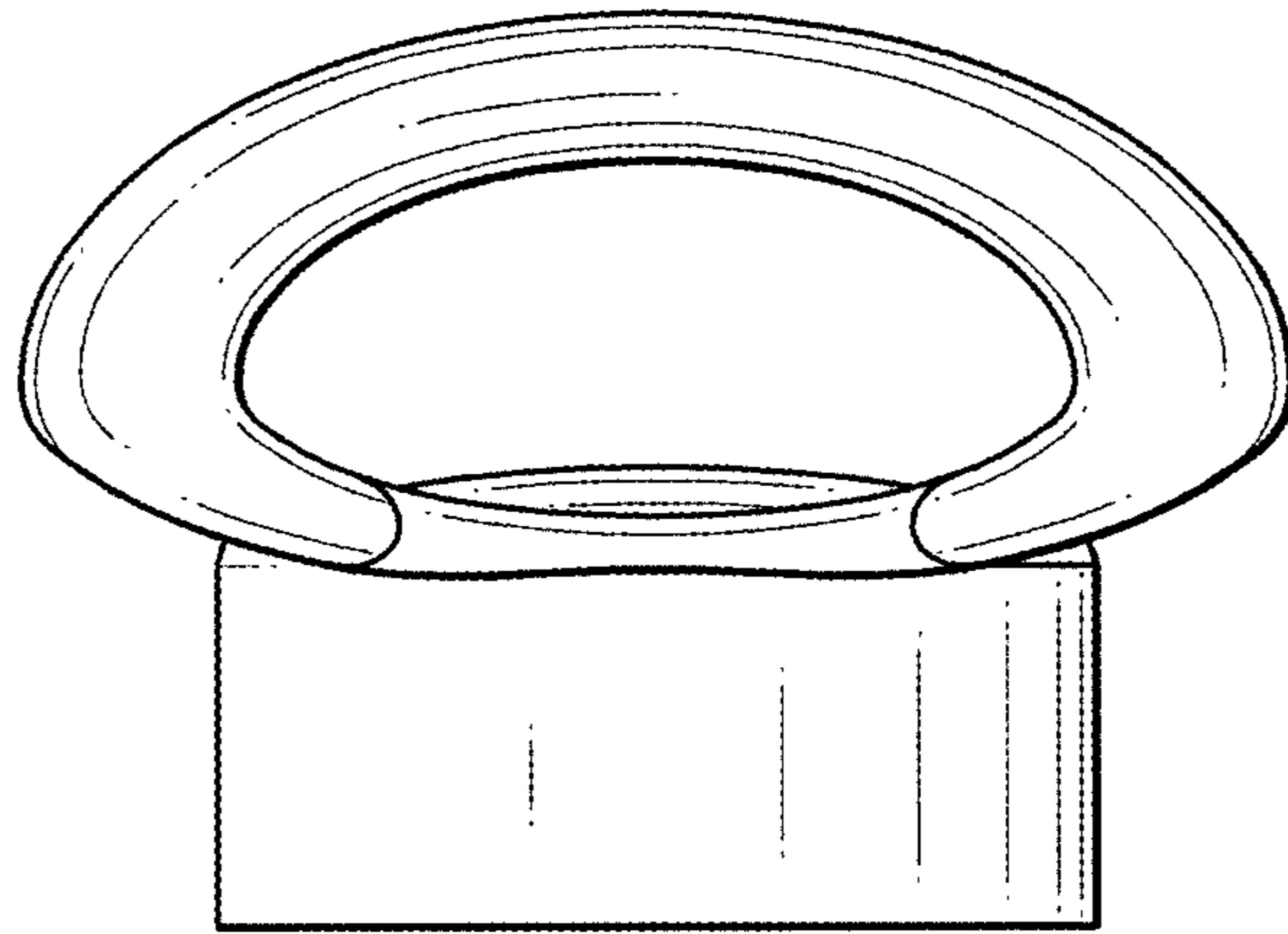


FIG. 13

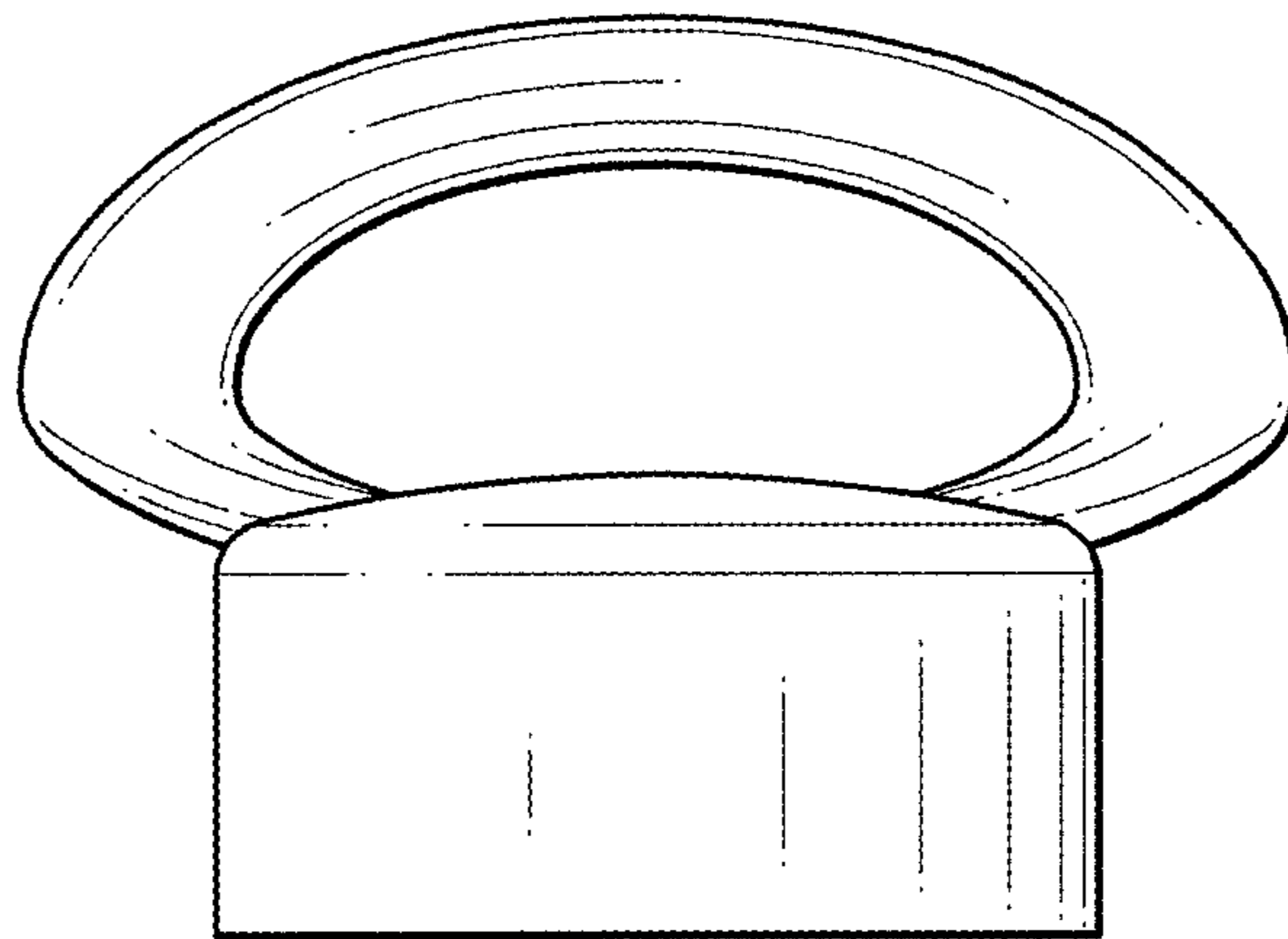


FIG. 14



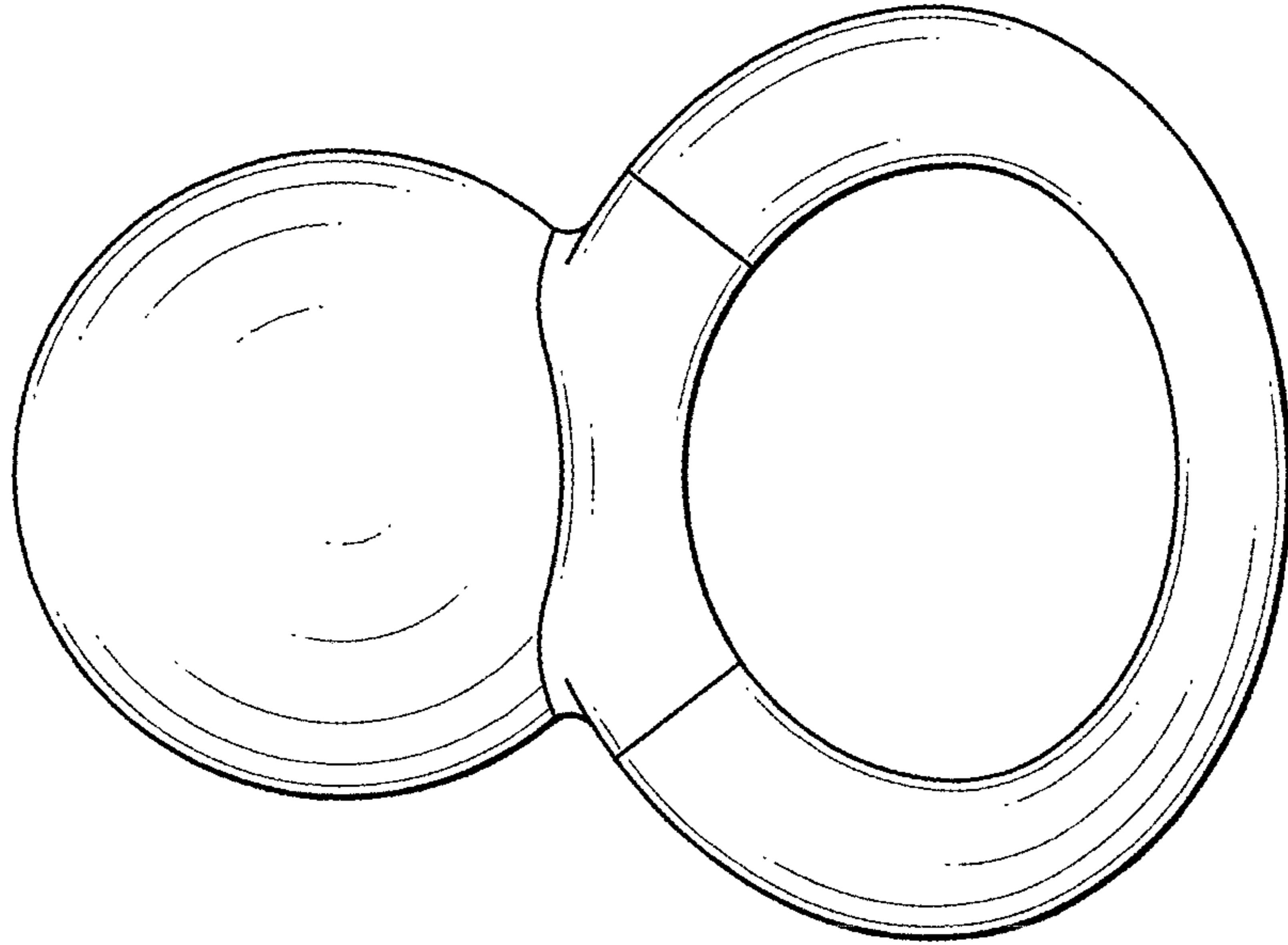


FIG. 15

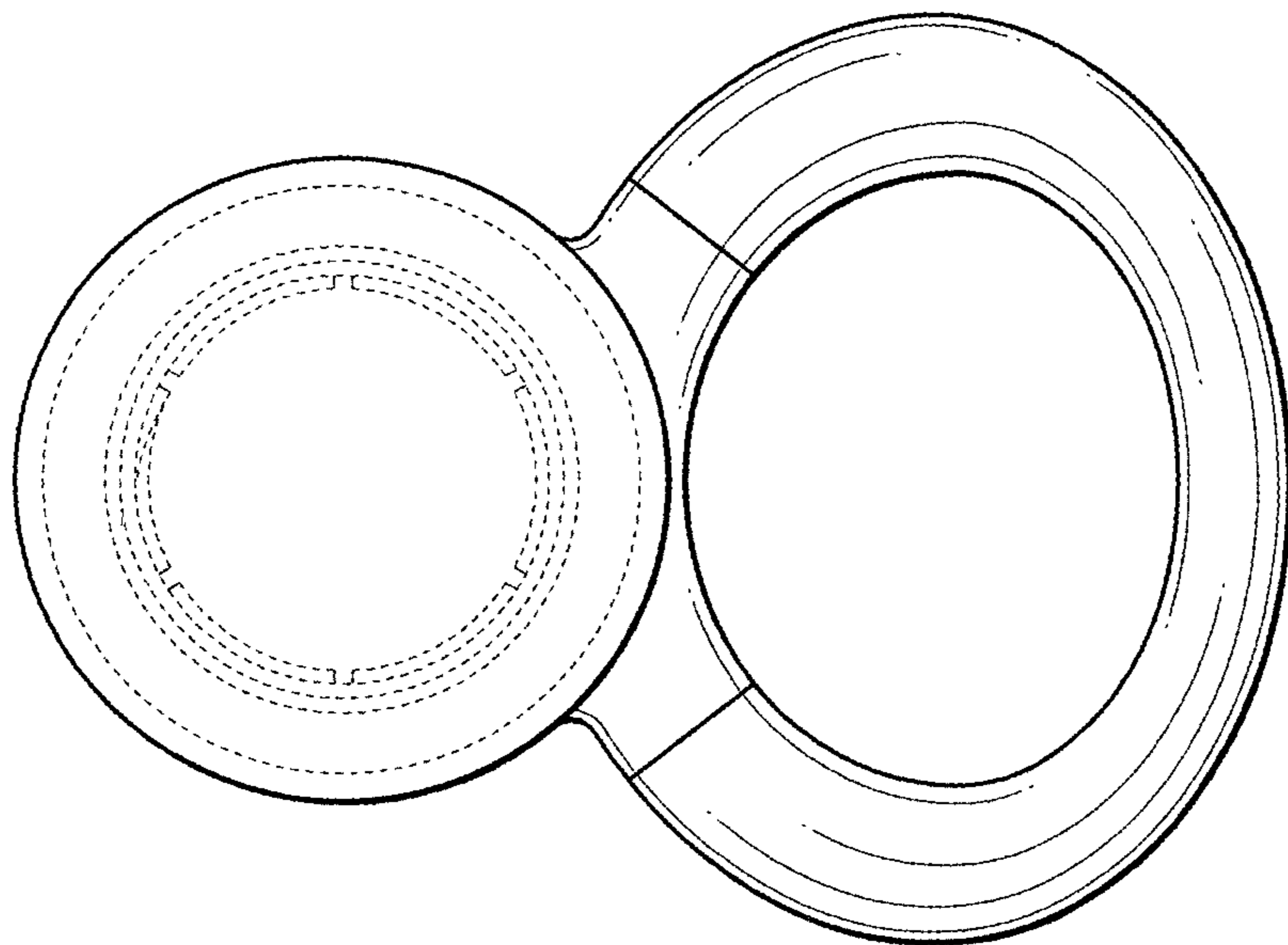


FIG. 16