



US00D809918S

(12) **United States Design Patent**
Wiggins

(10) **Patent No.:** **US D809,918 S**

(45) **Date of Patent:** **** Feb. 13, 2018**

- (54) **FLIP TOP CAP FOR LID**
- (71) Applicant: **Dart Industries Inc.**, Orlando, FL (US)
- (72) Inventor: **James Michael Wiggins**, Orlando, FL (US)
- (73) Assignee: **Dart Industries Inc.**, Orlando, FL (US)
- (**) Term: **15 Years**
- (21) Appl. No.: **29/548,544**
- (22) Filed: **Dec. 15, 2015**
- (51) **LOC (11) Cl.** **09-07**
- (52) **U.S. Cl.**
USPC **D9/434**; D9/435; D7/392.1; D7/392
- (58) **Field of Classification Search**
USPC D9/414, 415, 420, 426, 428, 429, 434, D9/435, 443-450, 452-457, 499, 682, D9/685, 686; D7/387, 392, 392.1, 393, D7/396.2, 396.3, 396.4, 401.1, 507, D7/509-511, 538, 900; D3/202, 203.2, D3/318; D28/91.1
CPC .. A61J 1/00; A61J 1/1412; B65D 1/00; B65D 1/02; B65D 1/10; B65D 1/46; B65D 2585/56; B65D 41/00; B65D 41/38; B65D 41/56; B65D 41/62; B65D 47/00; B65D 47/06; B65D 47/08; B65D 2543/00046; B65D 2543/00092; B65D 2543/00296; B65D 5/46; B65D 2251/00
See application file for complete search history.

- D411,745 S * 6/1999 Mohary D9/449
- D430,031 S * 8/2000 Baerenwald D9/449
- 6,098,830 A * 8/2000 Jamieson B65D 17/166
220/258.2
- D447,693 S * 9/2001 Warner D9/450
- D482,936 S 12/2003 Miller et al.
- D516,425 S * 3/2006 Haffner D9/449
- D529,379 S * 10/2006 Mengeu D9/447
- D558,401 S * 12/2007 Hadtke D28/66
- D592,915 S * 5/2009 Olivari D7/590
- D609,092 S 2/2010 Laib et al.
- D647,532 S * 10/2011 Busch D14/480.3
- D667,268 S 9/2012 Pallotto
- D673,807 S * 1/2013 Grider D7/391
- D676,713 S 2/2013 Jalet
- D682,016 S * 5/2013 Knight D7/392.1
- D731,851 S 6/2015 Yessin et al.

(Continued)

Primary Examiner — Karen S Acker
Assistant Examiner — Wendy Arminio
(74) *Attorney, Agent, or Firm* — Taylor J. Ross

(57) **CLAIM**

The ornamental design for a flip top cap for lid, as shown and described.

DESCRIPTION

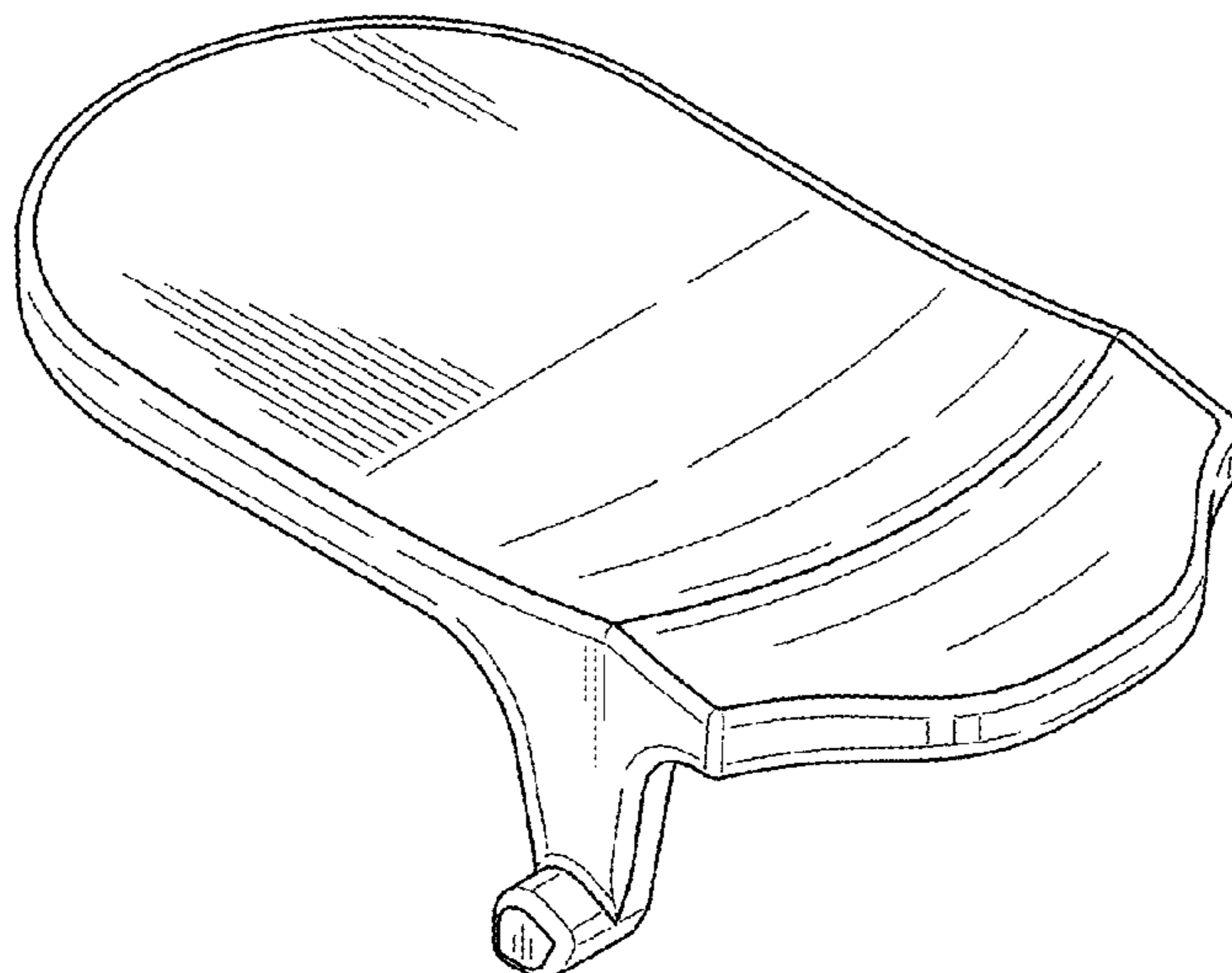
This application is related to co-pending Ser. No. 29/625, 713 filed Nov. 13, 2017.
FIG. 1 is a top, front and right side perspective view of a flip top cap for lid showing my new design;
FIG. 2 is a bottom, rear and right side perspective view thereof;
FIG. 3 is a top plan view thereof;
FIG. 4 is a bottom plan view thereof;
FIG. 5 is a right side elevation view, the left side being a mirror image thereof;
FIG. 6 is a rear elevation view thereof; and,
FIG. 7 is a front elevation view thereof.

1 Claim, 2 Drawing Sheets

(56) **References Cited**

U.S. PATENT DOCUMENTS

- 4,170,724 A * 10/1979 Waterbury B65D 17/506
206/807
- 4,989,746 A * 2/1991 Pierce B65D 47/0895
220/254.3
- 5,299,604 A * 4/1994 Pierce B65D 17/166
141/165
- D409,488 S * 5/1999 Mohary D9/449



(56)

References Cited

U.S. PATENT DOCUMENTS

D732,337	S *	6/2015	Coon	D7/392.1
D752,381	S *	3/2016	Wahl	D7/392.1
D753,962	S *	4/2016	Cornu	D7/665
D778,666	S *	2/2017	De Leo	D7/392
D788,583	S *	6/2017	Tu	D7/392.1
D794,458	S *	8/2017	Lloyd	D9/449
D796,256	S *	9/2017	Stover	D7/396.2
2007/0131689	A1 *	6/2007	Felber	B65D 5/748 220/254.3
2010/0127011	A1 *	5/2010	Britto	B65D 47/0852 220/810
2015/0083724	A1 *	3/2015	Lagace	B65D 47/0847 220/258.4
2015/0164255	A1 *	6/2015	Coon	B65D 47/241 220/254.3

* cited by examiner

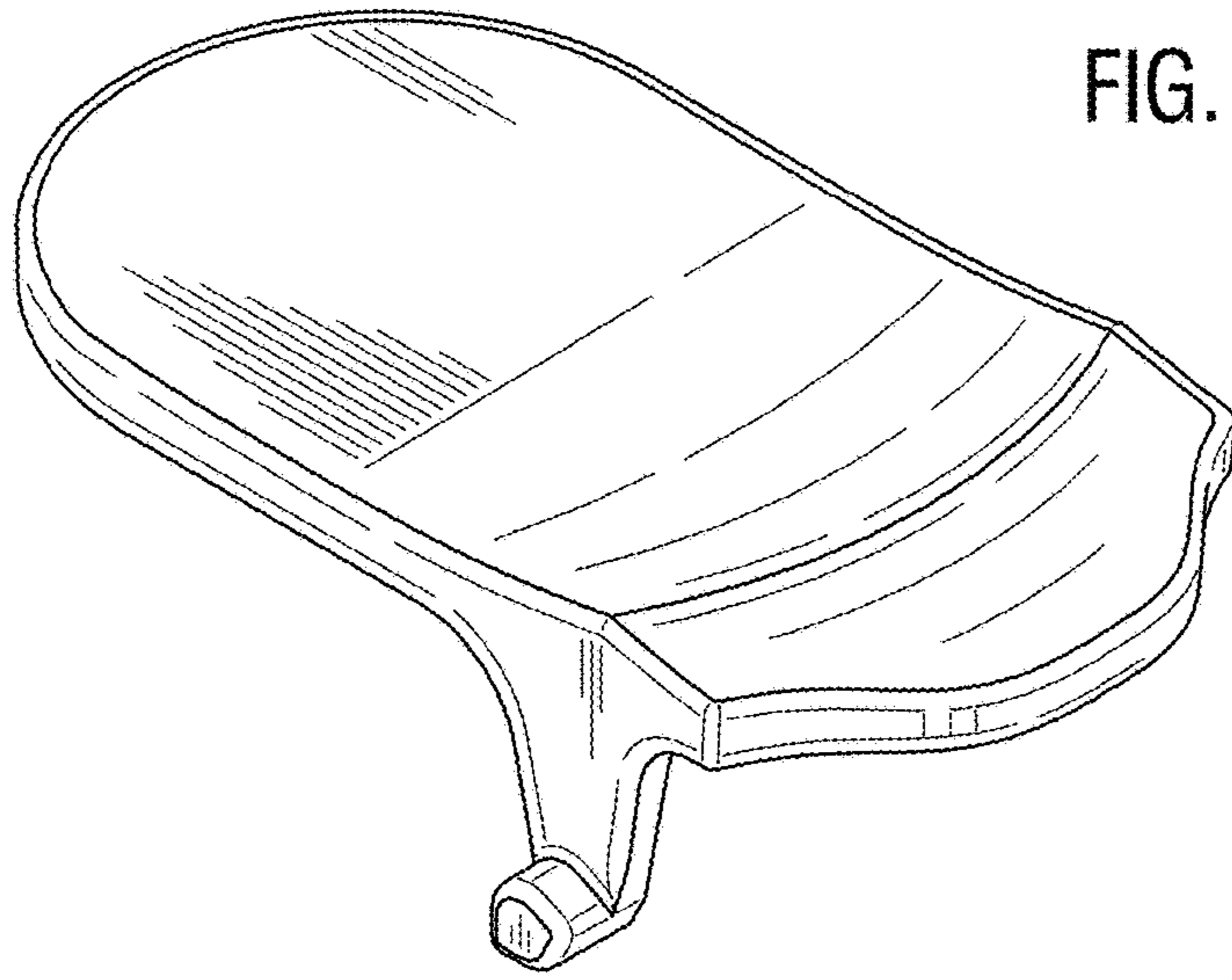


FIG. 1

FIG. 2

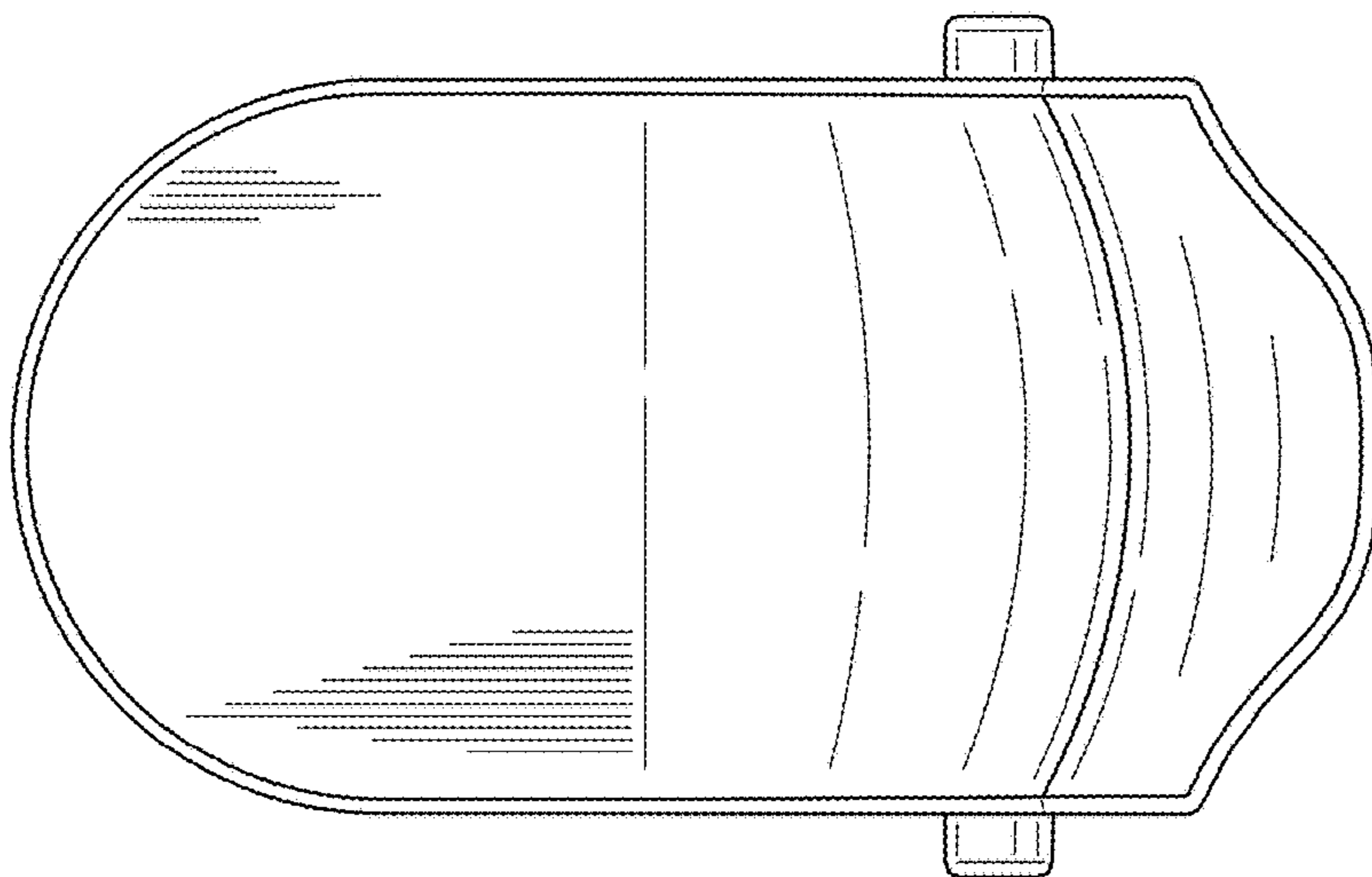
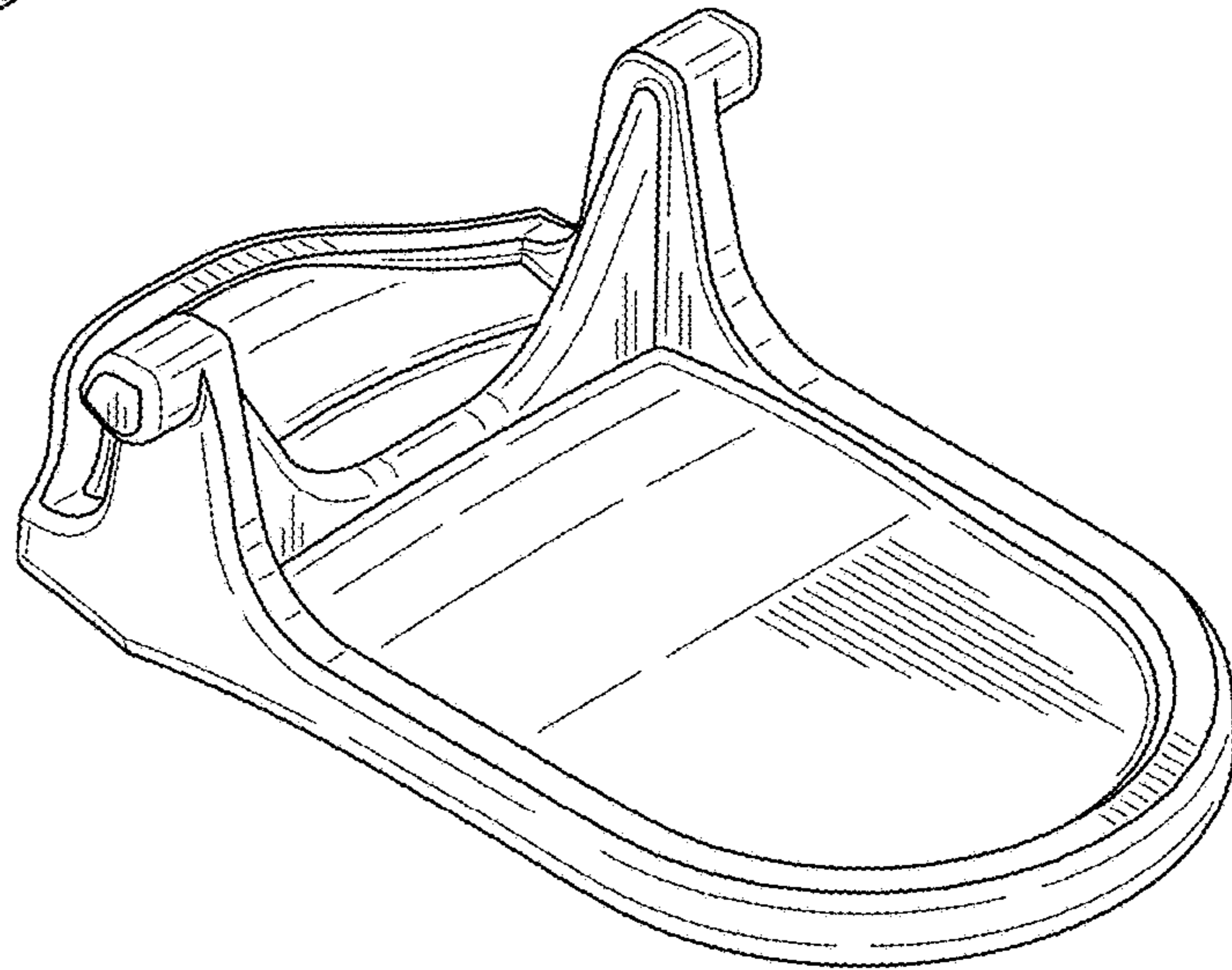


FIG. 3

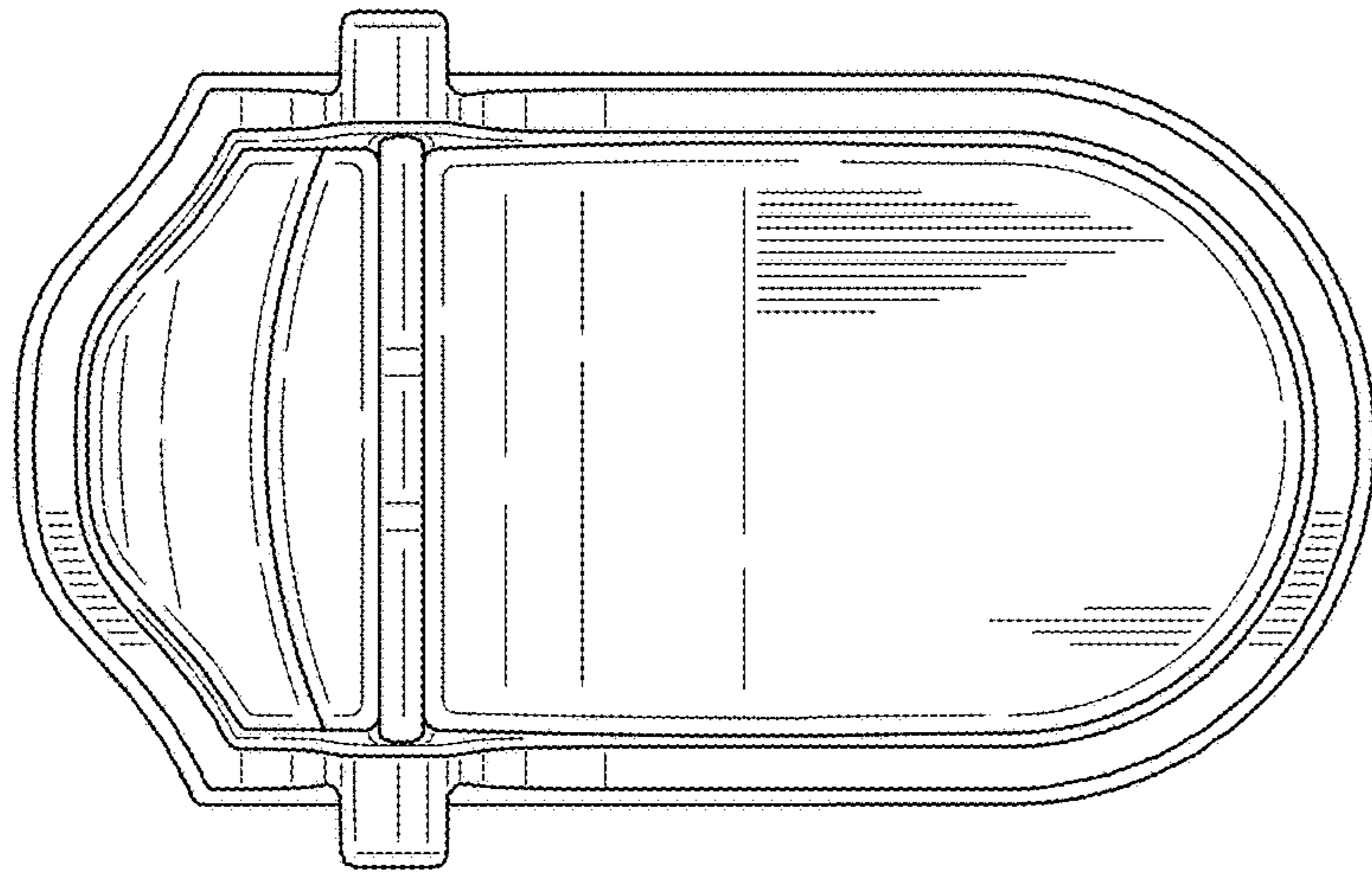


FIG. 4

FIG. 5

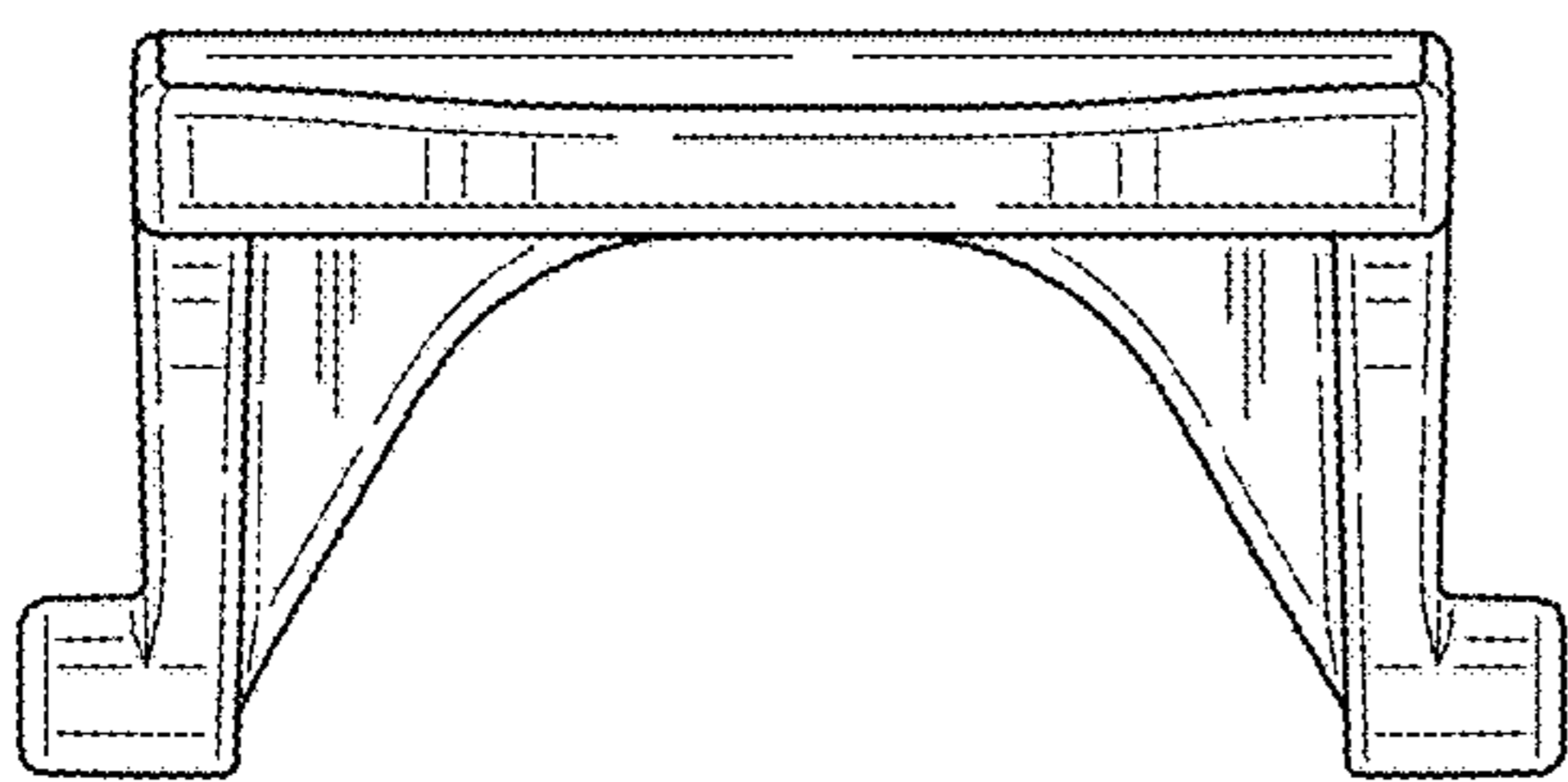
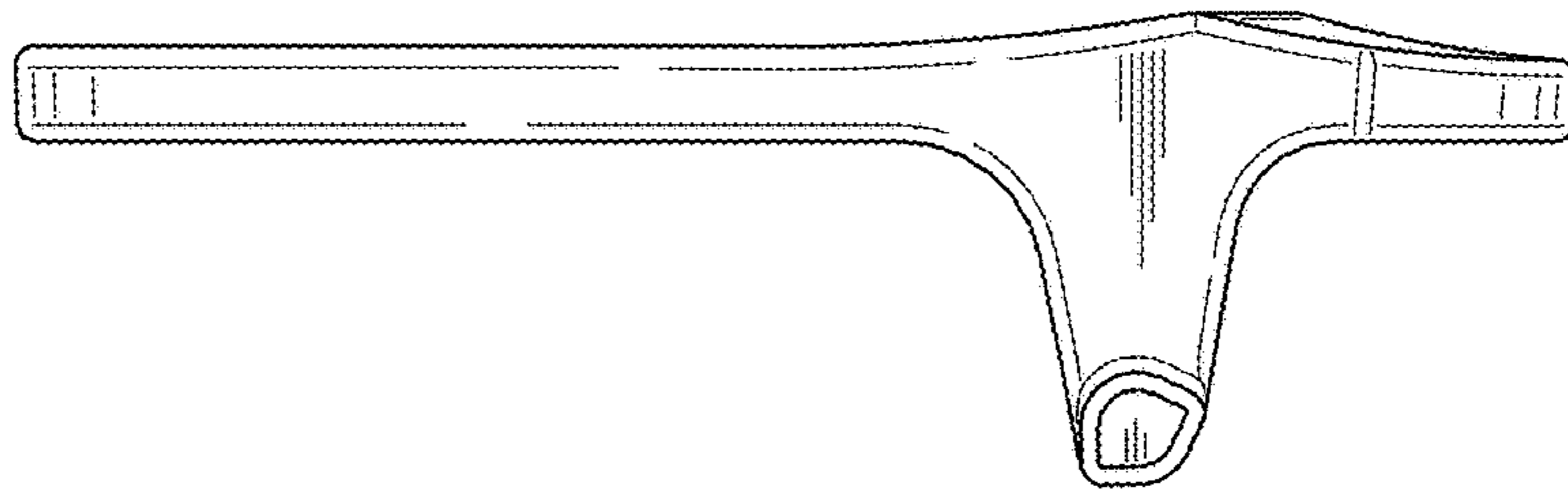


FIG. 6

FIG. 7

