



US00D809915S

(12) **United States Design Patent**
Harrison et al.

(10) **Patent No.:** **US D809,915 S**
(45) **Date of Patent:** **** Feb. 13, 2018**

(54) **PACKAGE**

- (71) Applicant: **Tekton, Inc.**, Grand Rapids, MI (US)
- (72) Inventors: **Joshua L. Harrison**, Grand Rapids, MI (US); **Matthew A. Johnson**, South Haven, MI (US)
- (73) Assignee: **Tekton, Inc.**, Grand Rapids, MI (US)
- (**) Term: **15 Years**
- (21) Appl. No.: **29/533,429**
- (22) Filed: **Jul. 17, 2015**
- (51) **LOC (11) Cl.** **09-03**
- (52) **U.S. Cl.**
USPC **D9/432**
- (58) **Field of Classification Search**
USPC D3/202, 212, 318; D7/602; D9/414,
D9/420, 423, 425, 426, 430-434,
D9/455-457, 499
CPC B65D 5/009
See application file for complete search history.

(56) **References Cited**

U.S. PATENT DOCUMENTS

- 3,197,062 A * 7/1965 Day B65D 5/0005
206/451
- D449,525 S * 10/2001 Sturgess D9/432
- D455,076 S * 4/2002 Gumper D9/433
- D482,609 S * 11/2003 Weinstock D9/414
- D542,647 S * 5/2007 Walter D9/414
- D589,346 S * 3/2009 Hall D9/432
- D600,549 S * 9/2009 Anderson D9/432
- D635,456 S * 4/2011 Yan D9/432
- D734,142 S * 7/2015 Lee D9/414

OTHER PUBLICATIONS

Amazon.com. Customer Review for Tekton Slotted and Phillips Screwdriver Set published by "Ricky" on Jan. 23, 2016, [site visited Nov. 14, 2016]. Available from Internet, <URL:https://www.amazon.com/gp/customer-reviews/R27PCF0VXGHNO9/ref=cm_cr_getr_d_rvw_ttl?ie=UTF8&ASIN=B014US26RC>.*

* cited by examiner

Primary Examiner — Robert M. Spear
Assistant Examiner — Darcey E Heflin

(74) *Attorney, Agent, or Firm* — Warner Norcross & Judd LLP

(57) **CLAIM**

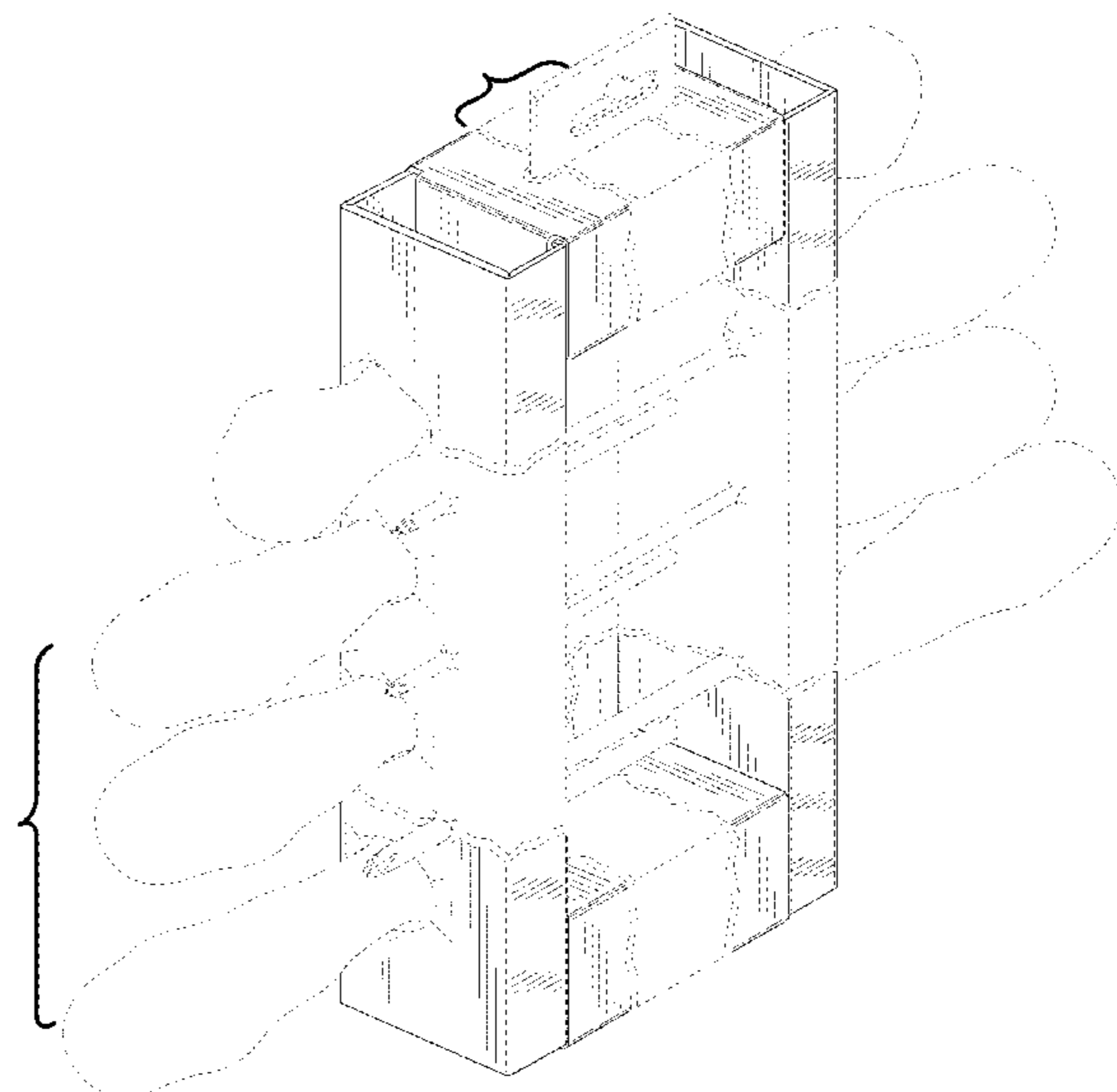
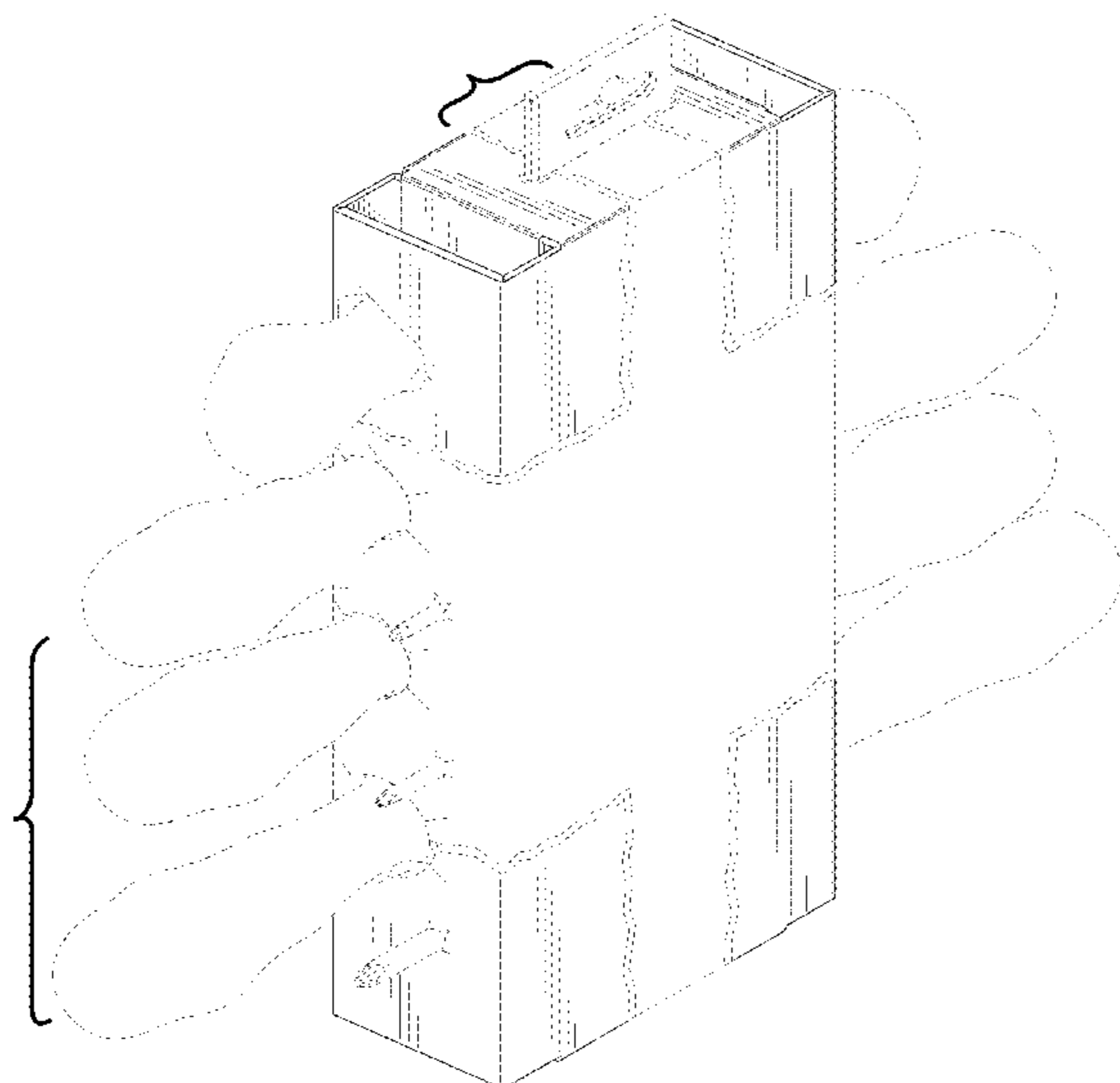
The ornamental design for a package, as shown and described.

DESCRIPTION

FIG. 1 is a top, front, left perspective view of a package embodying our new design;
FIG. 2 is a top, rear, right perspective view thereof;
FIG. 3 is a front view thereof;
FIG. 4 is a rear view thereof;
FIG. 5 is a right side view thereof;
FIG. 6 is a left side view thereof;
FIG. 7 is a top view thereof; and,
FIG. 8 is a bottom view thereof.

FIGS. 1-8 show portions of the package and various packaged articles in broken lines. The broken lines are shown for environmental purposes and form no part of the claimed design. The package is shown with a symbolic break in its length and width. The appearance of any portion of the article between the break lines forms no part of the claimed design.

1 Claim, 6 Drawing Sheets



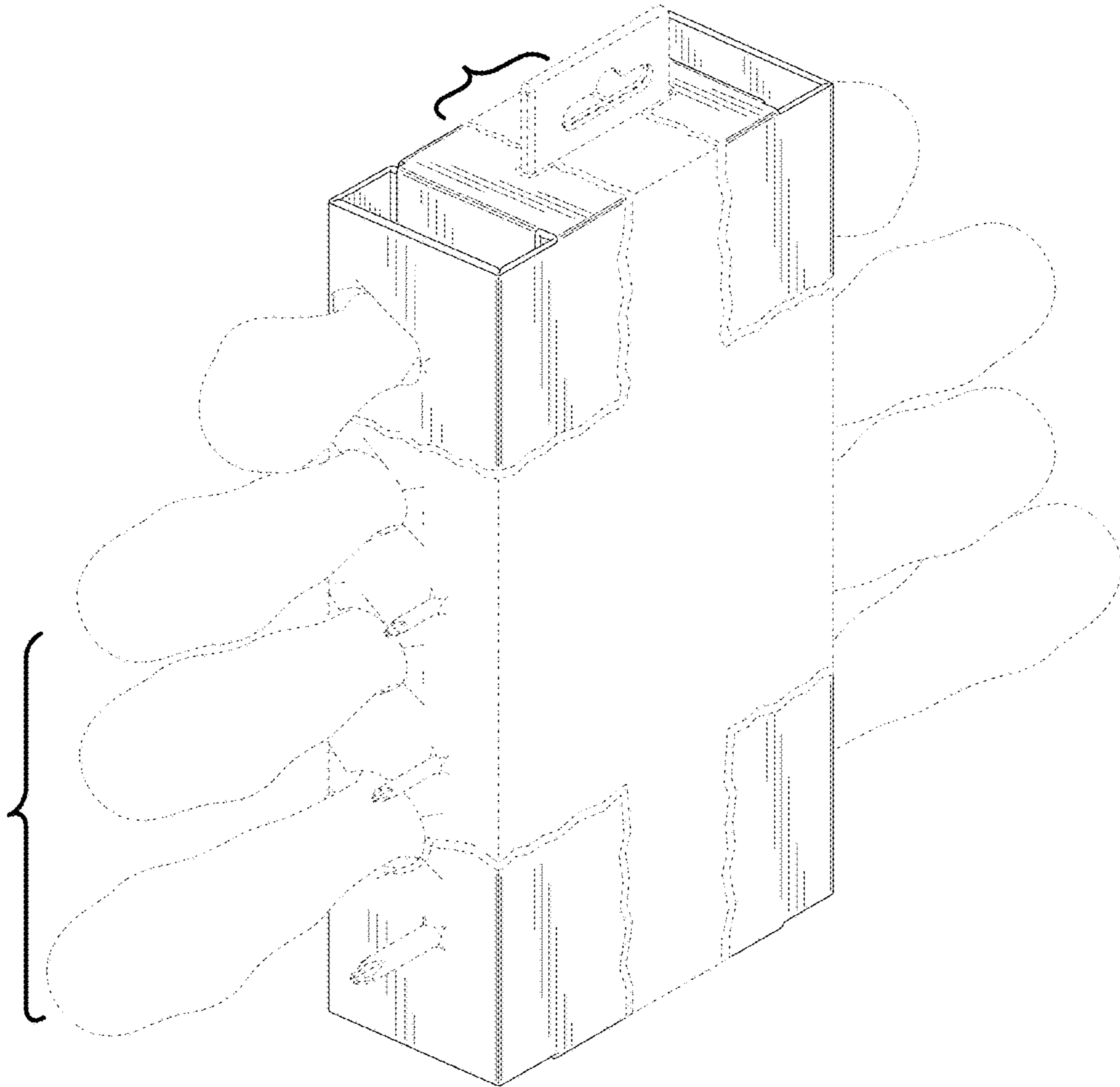


Fig. 1

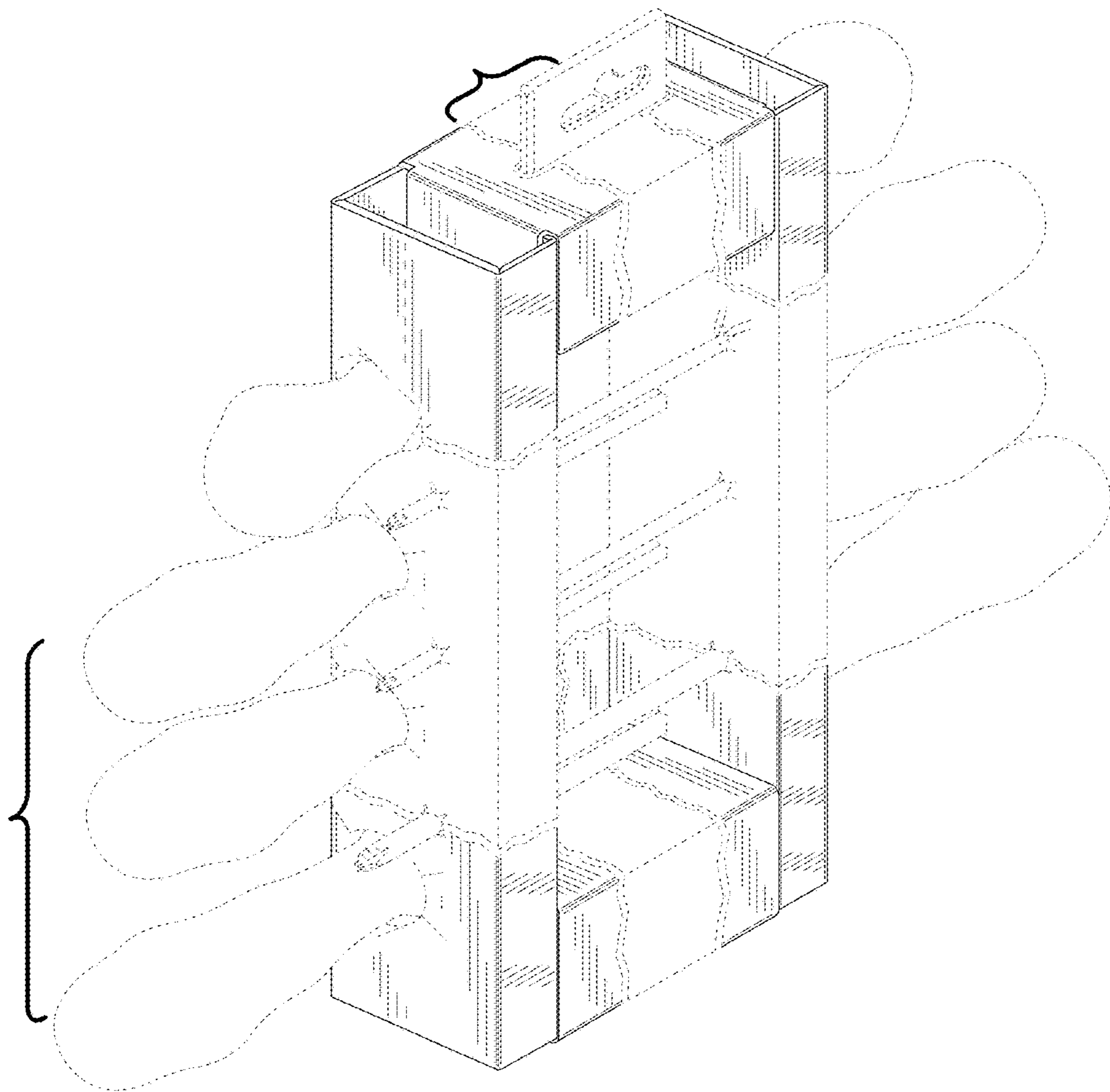


Fig. 2

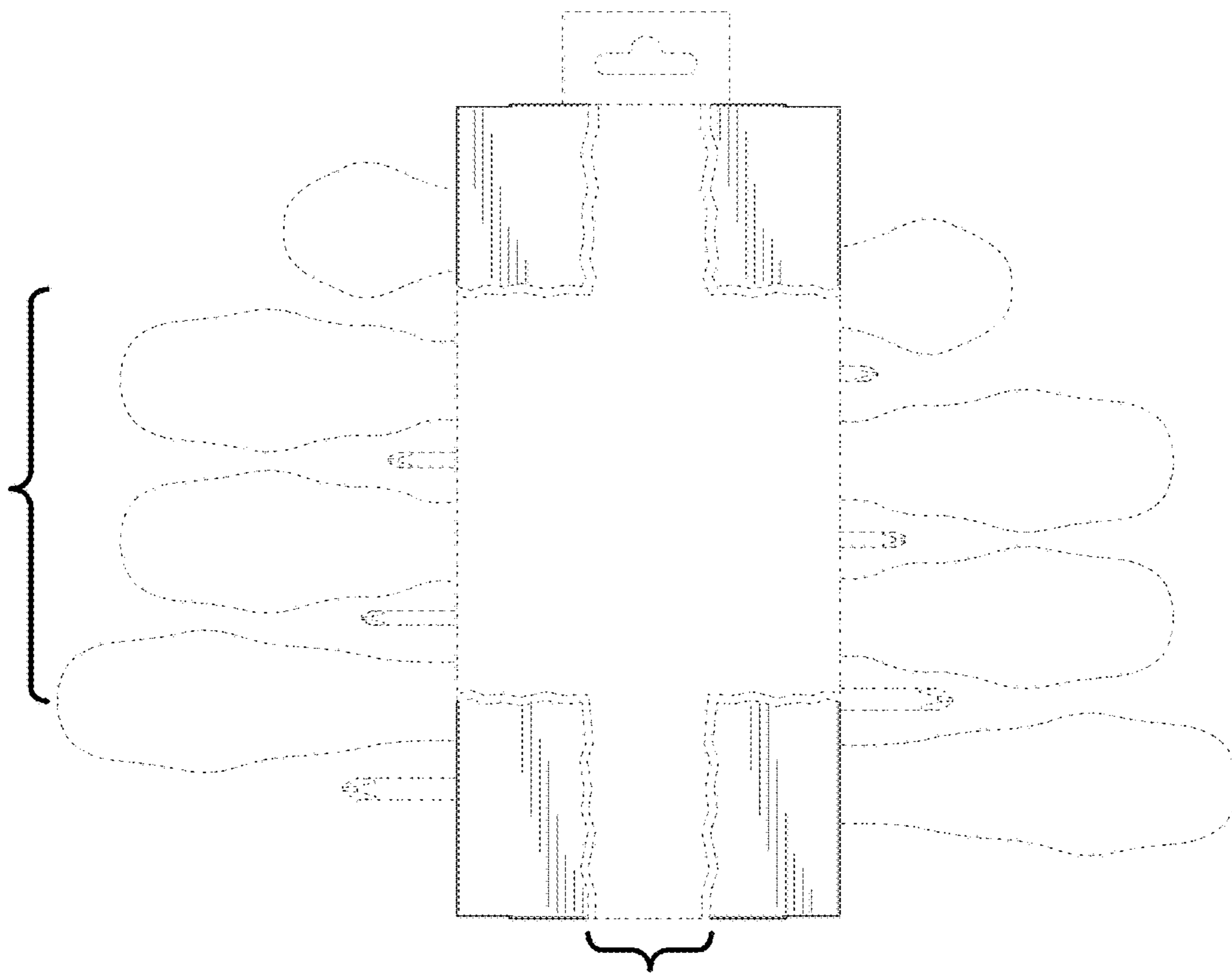


Fig. 3

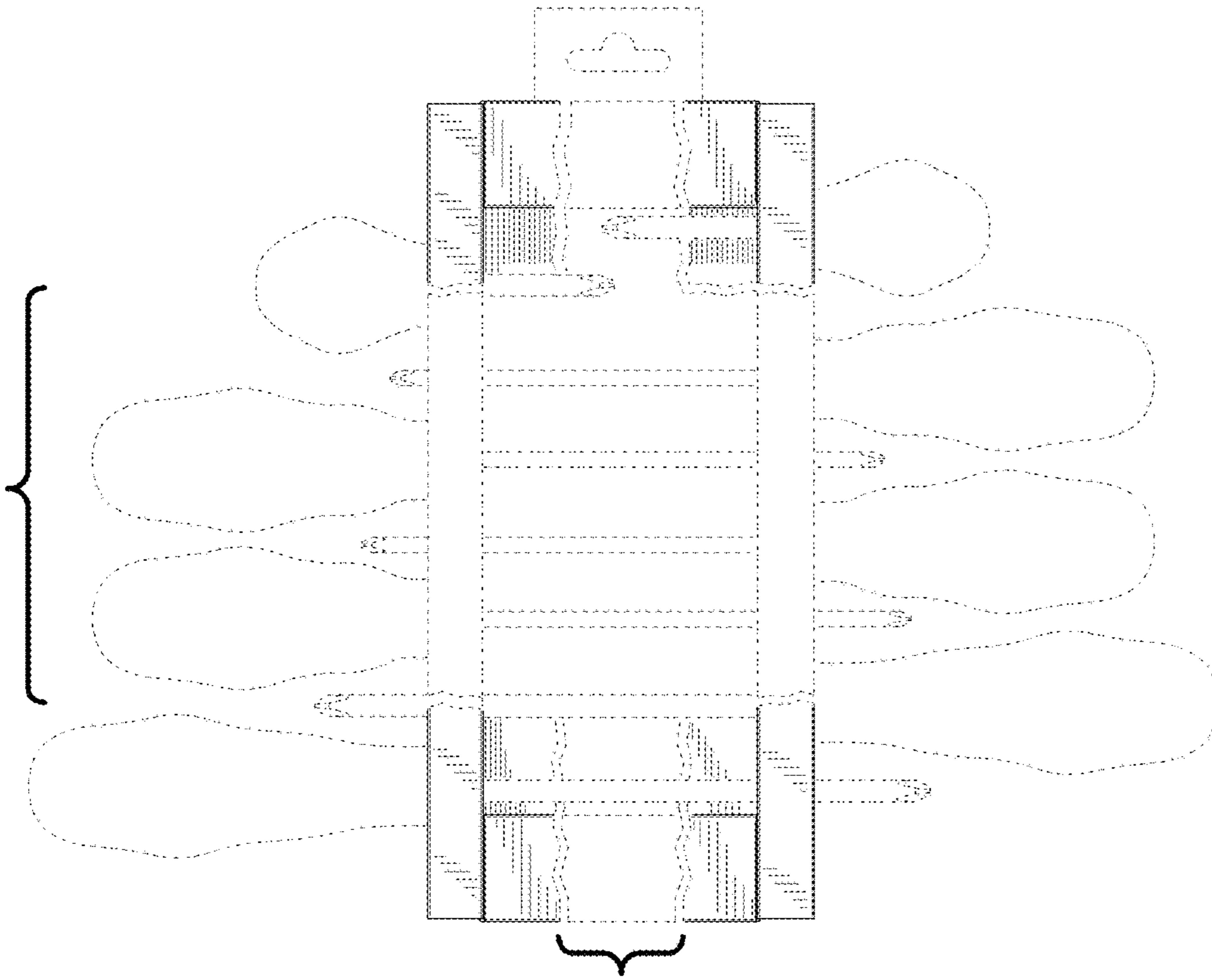


Fig. 4

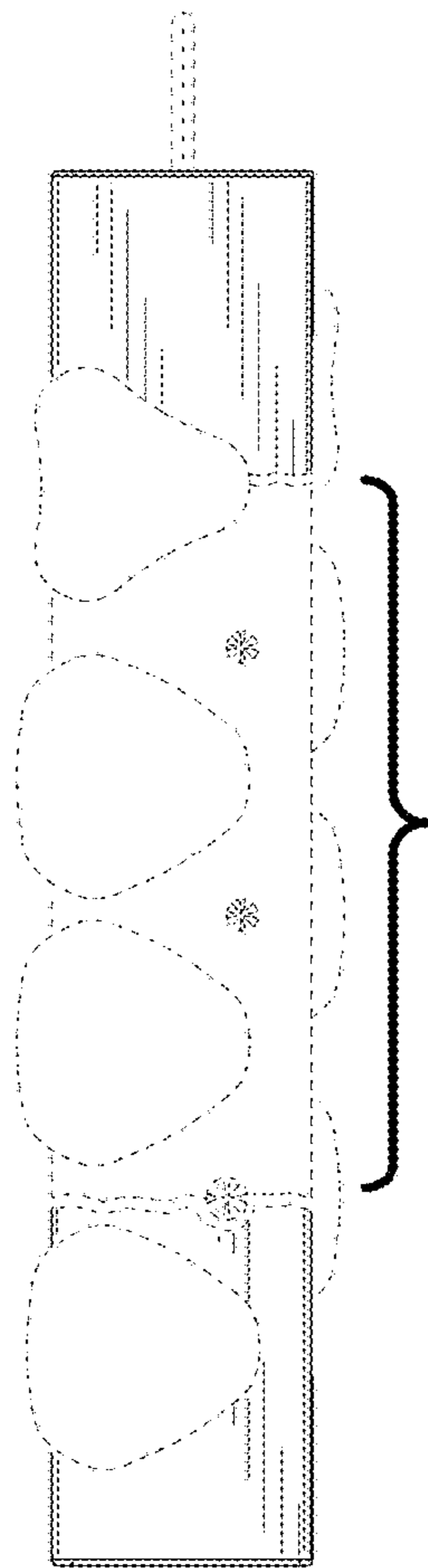


Fig. 5

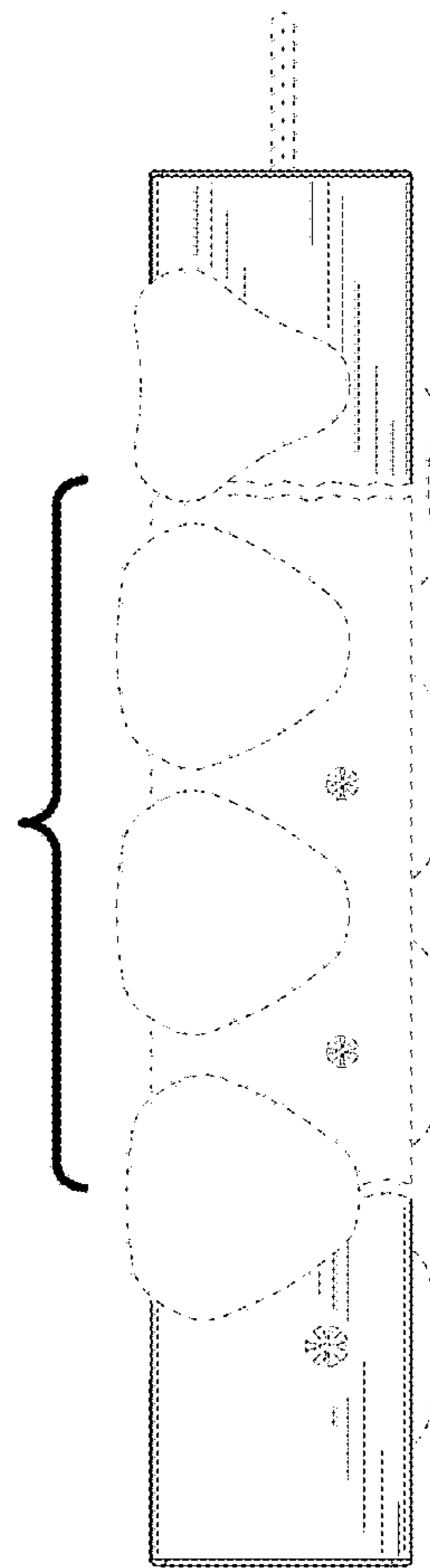


Fig. 6

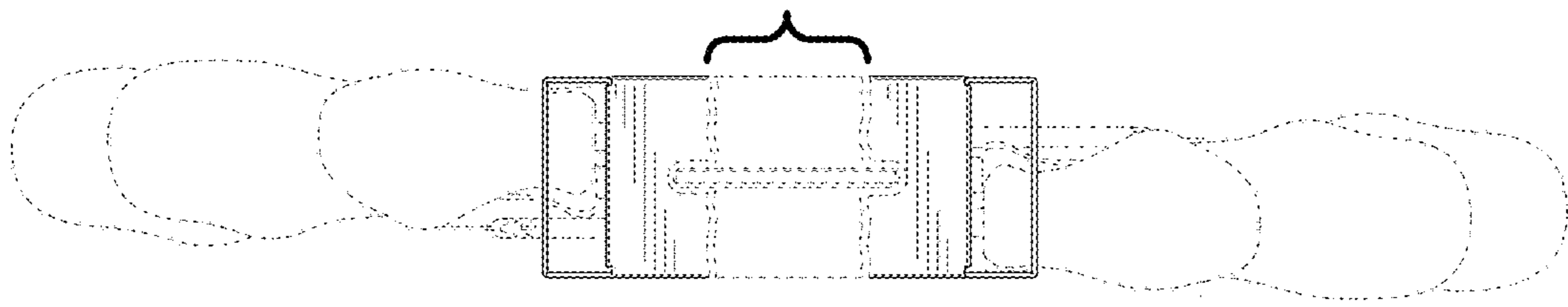


Fig. 7

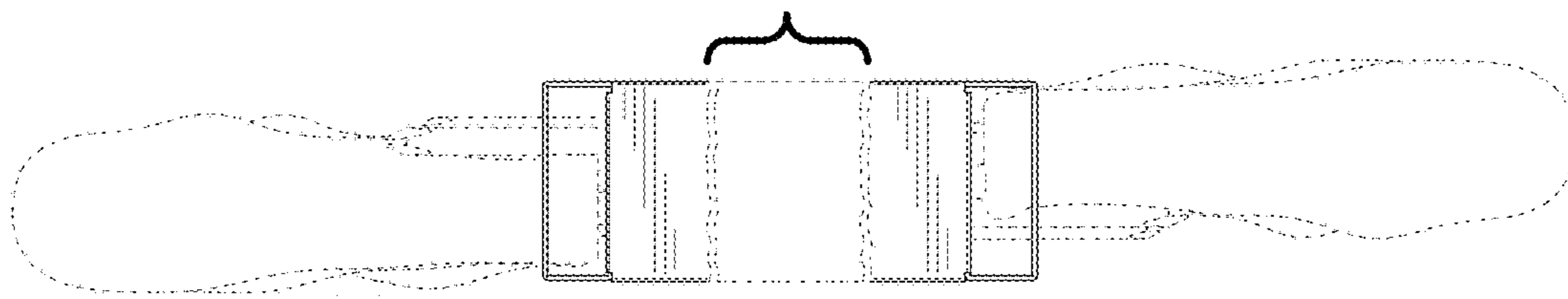


Fig. 8