



US00D809914S

(12) **United States Design Patent**
Weernink

(10) **Patent No.:** **US D809,914 S**

(45) **Date of Patent:** **** Feb. 13, 2018**

(54) **CONTAINER**

(71) Applicant: **Rosti Mepal Support B.V.**, Lochem (NL)

(72) Inventor: **Johan Weernink**, Diepenheim (NL)

(73) Assignee: **Rosti Mepal Support B.V.**, Lochem (NL)

(**) Term: **15 Years**

(21) Appl. No.: **29/575,404**

(22) Filed: **Aug. 24, 2016**

(30) **Foreign Application Priority Data**

Jul. 7, 2016 (WO) 55137

(51) **LOC (11) Cl.** **09-03**

(52) **U.S. Cl.**
USPC **D9/428**

(58) **Field of Classification Search**

USPC D7/538-545, 602, 608, 629, 641;
D9/396.1, 414, 420, 424-426, 429, 432,
D9/761; 206/501-509; 220/781, 791,
220/793, 811-813, 835, 839

CPC B65D 1/24; B65D 25/04; B65D 43/03;
B65D 43/16; B65D 43/0212

See application file for complete search history.

(56) **References Cited**

U.S. PATENT DOCUMENTS

D266,648 S * 10/1982 Plewes D9/454
D269,855 S * 7/1983 Fortuna D9/556

D270,239 S * 8/1983 Fortuna D9/425
D284,350 S * 6/1986 Fortuna D9/428
D425,423 S * 5/2000 Mengeu D9/503
D445,032 S * 7/2001 Hammer D9/504
D486,393 S * 2/2004 Chuang D9/503
D562,142 S * 2/2008 Bunce D9/529
D603,266 S * 11/2009 Dibnah D9/529
D604,158 S * 11/2009 Chodosh D9/436

* cited by examiner

Primary Examiner — Derrick Holland

Assistant Examiner — Janice Patyk

(74) *Attorney, Agent, or Firm* — Fross Zelnick Lehrman & Zissu P.C.; Charles T. J. Weigell, Esq.

(57) **CLAIM**

The ornamental design for a container, as shown and described.

DESCRIPTION

FIG. 1 is a perspective view of a container showing my new design;

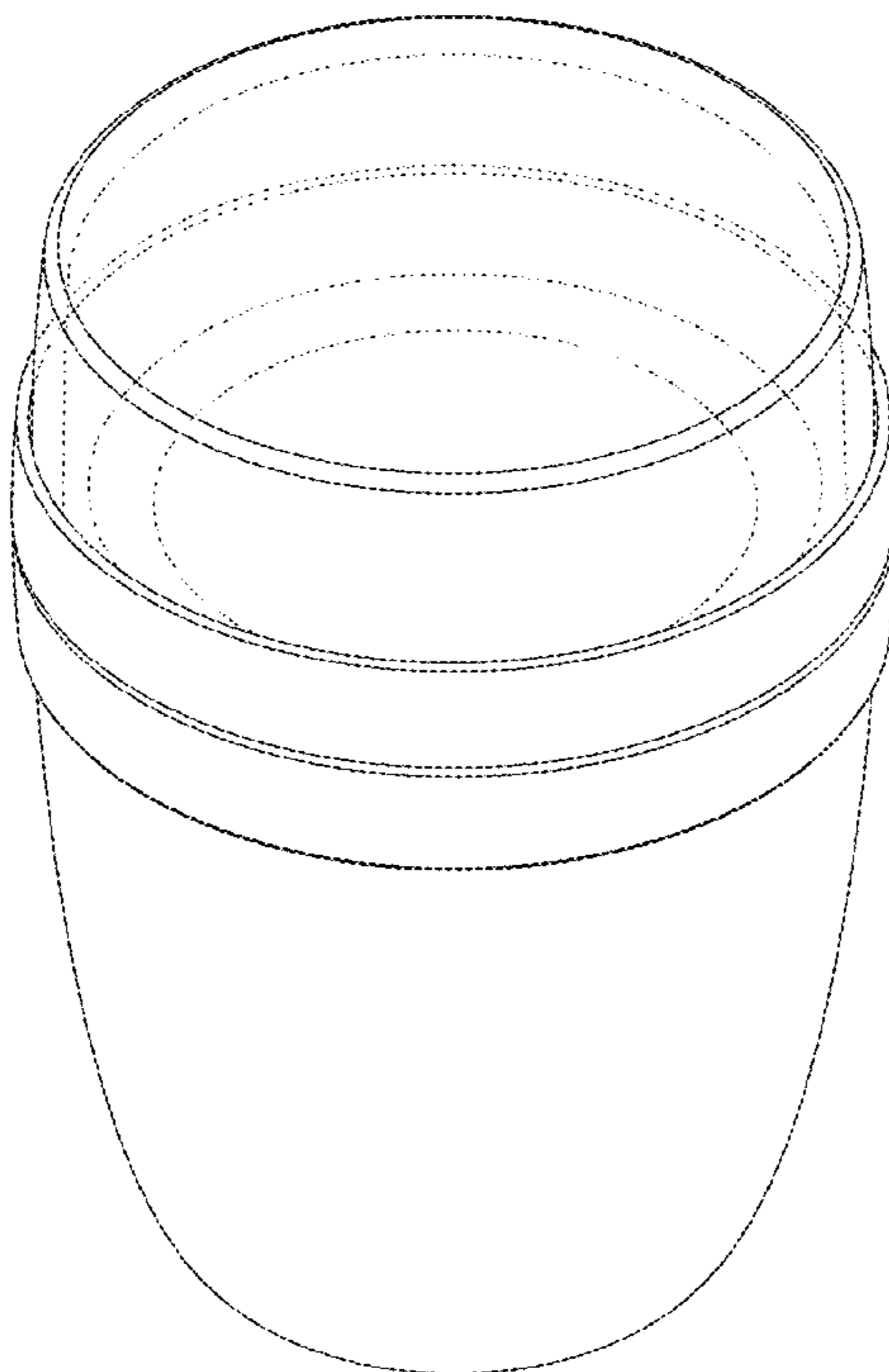
FIG. 2 is an side view thereof;

FIG. 3 is a top view thereof; and,

FIG. 4 is a bottom view thereof.

The broken lines in the figures illustrate the portions of the design that form no part of the claimed design.

1 Claim, 4 Drawing Sheets



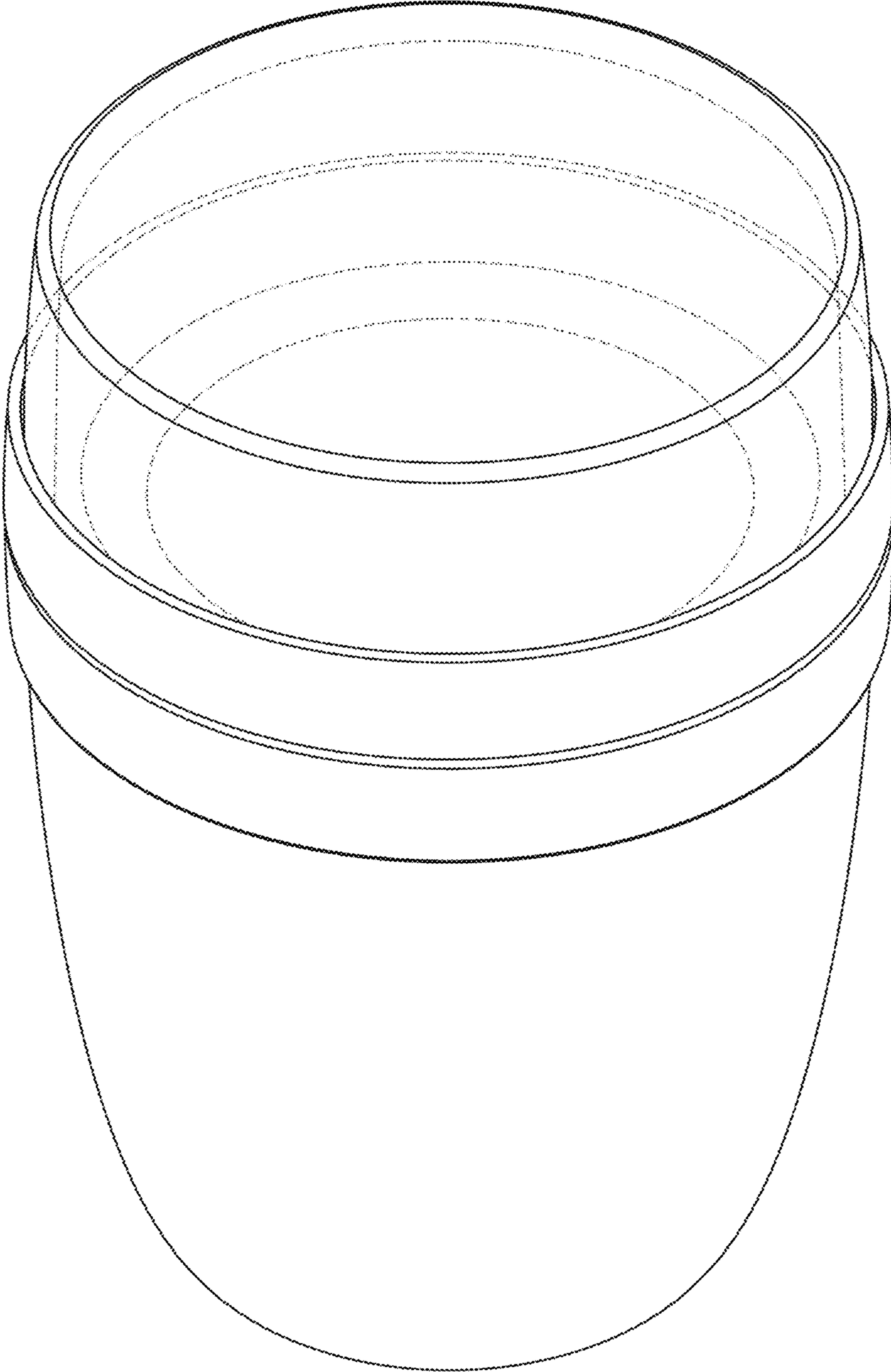


FIG. 1

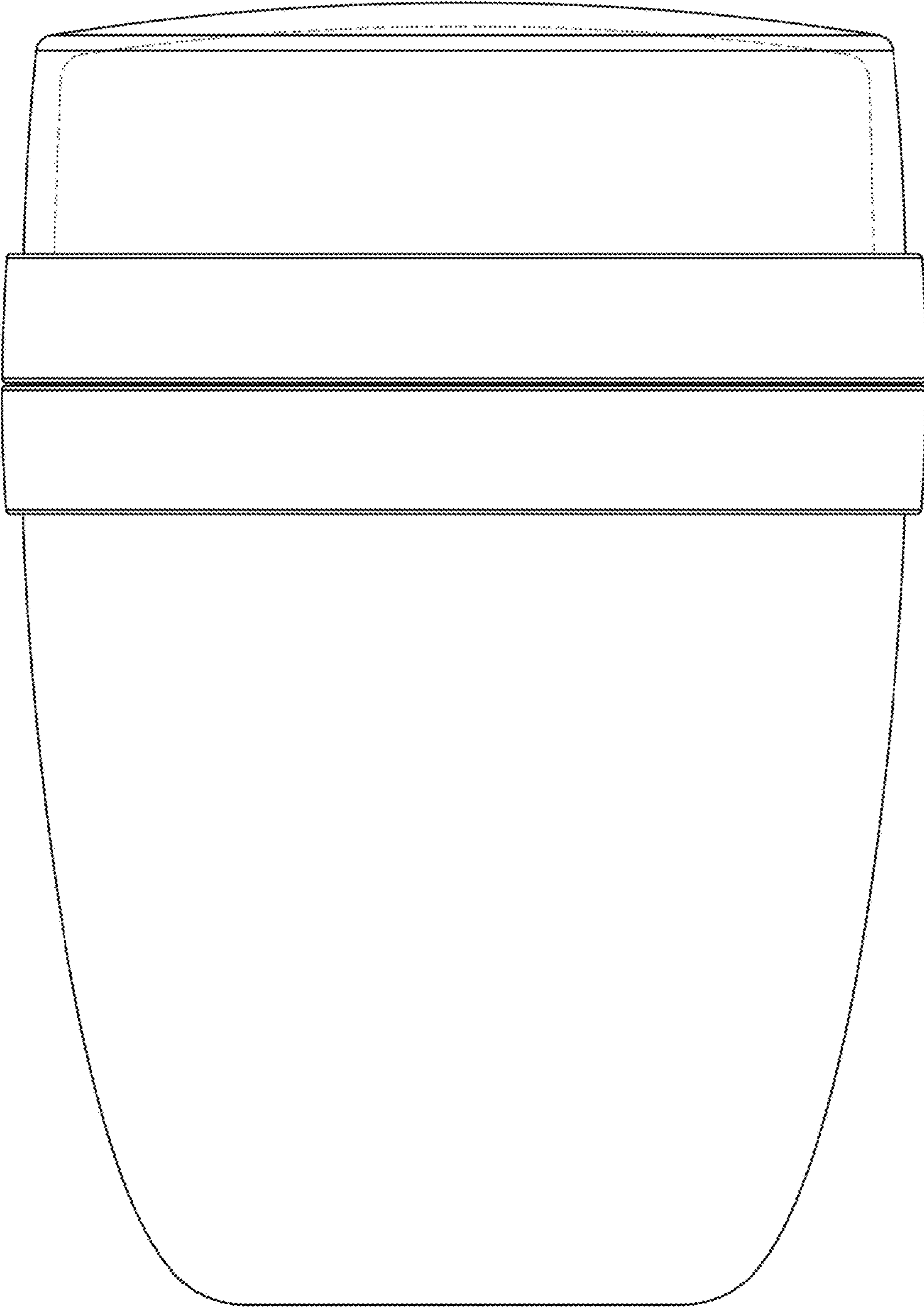


FIG. 2

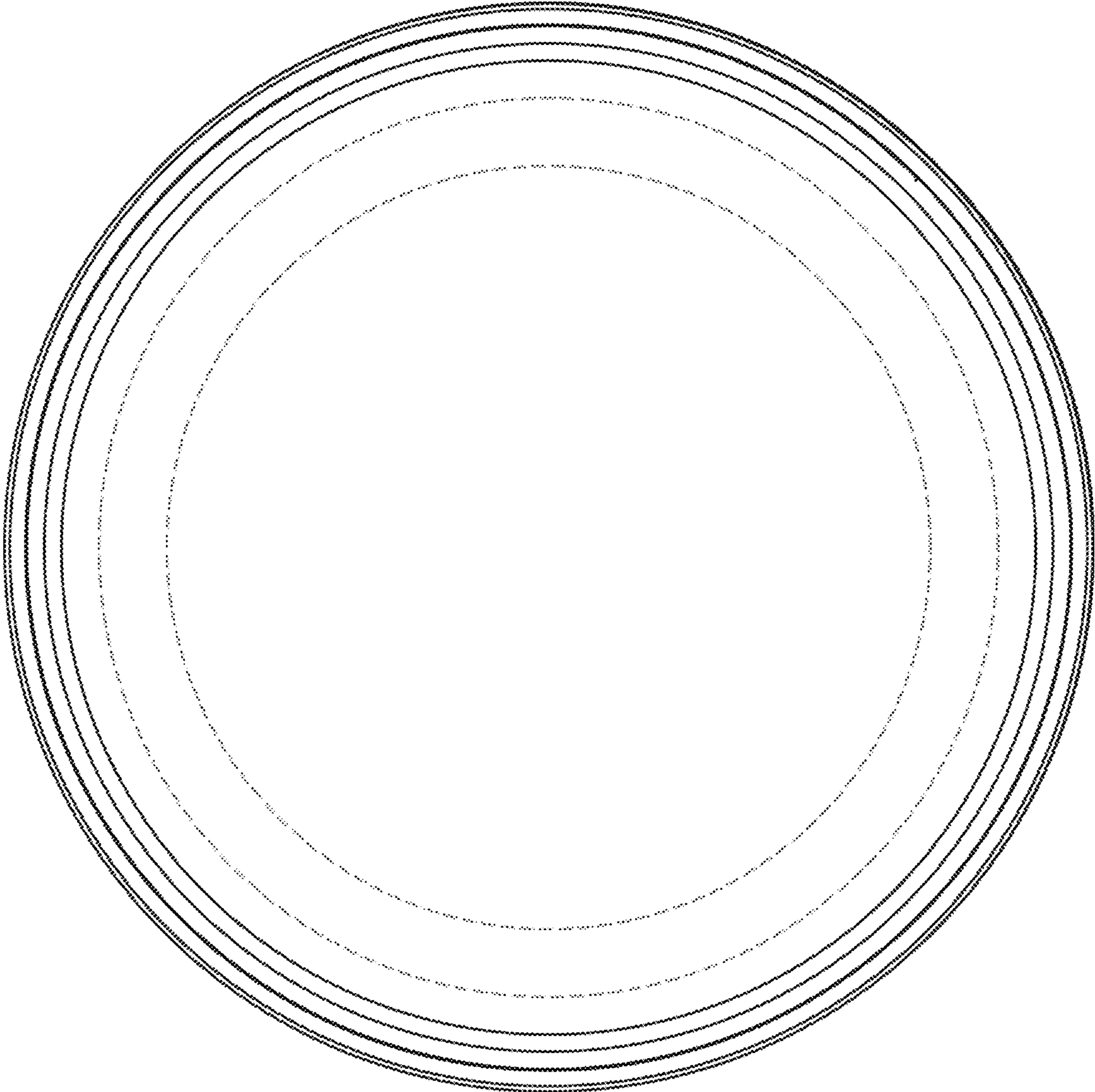


FIG. 3

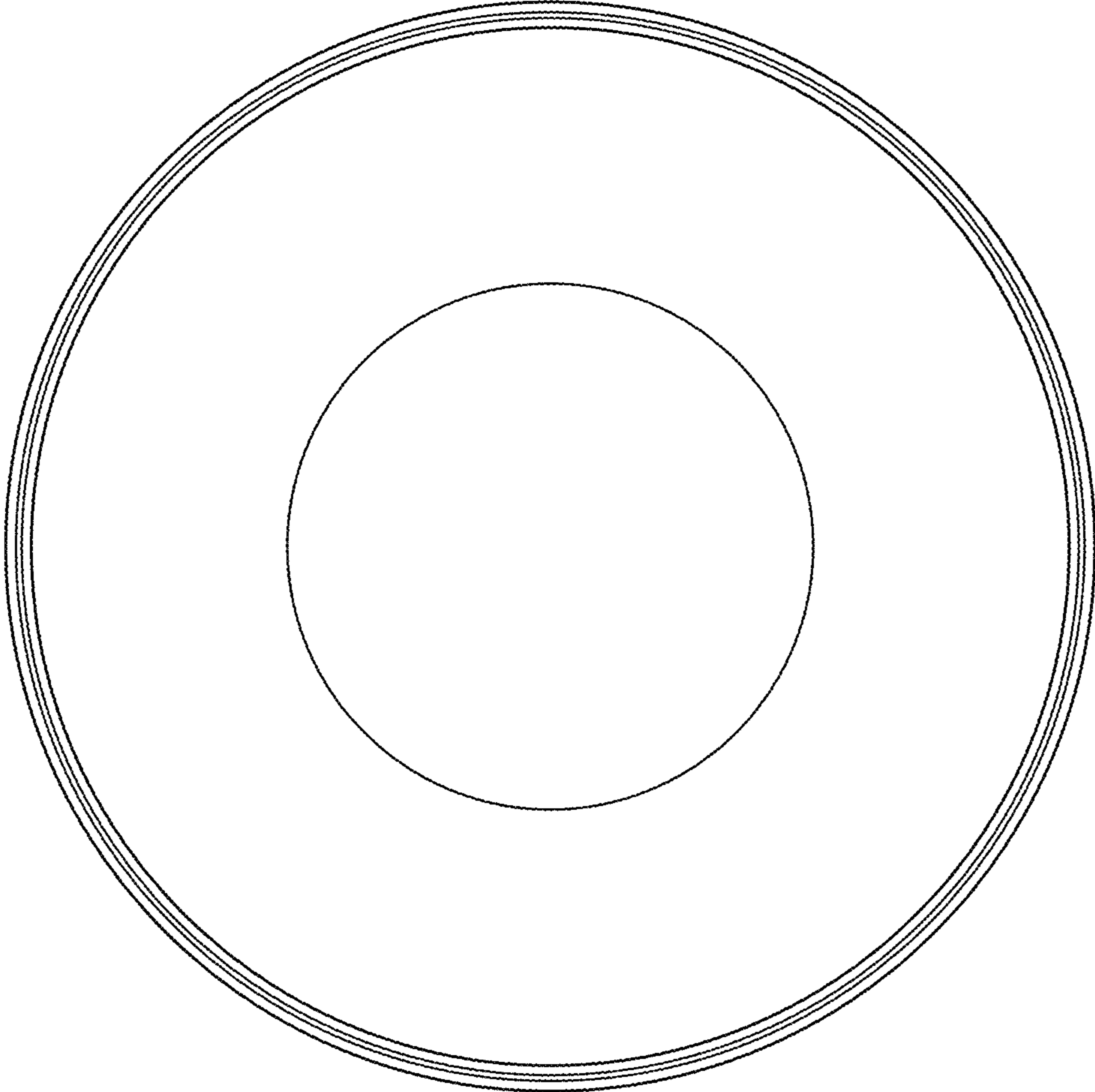


FIG. 4