



US00D809912S

(12) **United States Design Patent**
Ng

(10) **Patent No.:** **US D809,912 S**
(45) **Date of Patent:** **** Feb. 13, 2018**

- (54) **STRING COMPARTMENT BOX**
- (71) Applicant: **Geometria Pte. Ltd.**, Singapore (SG)
- (72) Inventor: **Pei Kang Ng**, Singapore (SG)
- (73) Assignee: **Geometria Pte. Ltd.**, Singapore (SG)
- (**) Term: **15 Years**
- (21) Appl. No.: **29/570,318**
- (22) Filed: **Jul. 7, 2016**
- (30) **Foreign Application Priority Data**

Jan. 8, 2016 (SG) 30201602036W

- (51) **LOC (11) Cl.** **09-03**
- (52) **U.S. Cl.**
USPC **D9/420**
- (58) **Field of Classification Search**
USPC D9/414, 415, 419, 420, 421, 424, 425,
D9/426, 432, 433, 439, 734, 759
CPC B65D 33/16; B65D 33/12; B65D 5/00;
B65D 5/42; B65D 71/00; B65D 77/00;
B65D 85/00; B65D 11/00; A01G 1/12
See application file for complete search history.

(56) **References Cited**

U.S. PATENT DOCUMENTS

- 2,189,602 A * 2/1940 Denny B65D 5/248
229/173
- 2,896,839 A * 7/1959 Barnes B65D 5/3628
229/117.01
- 3,565,327 A * 2/1971 Rodley B65D 33/12
383/20
- 4,173,351 A * 11/1979 Hetland A01G 1/12
280/18

- 5,709,477 A * 1/1998 Schinasi A01G 1/12
15/257.6
- 6,000,849 A * 12/1999 Keller B65D 33/16
206/457
- 6,012,842 A * 1/2000 Openiano B65D 33/16
229/117.01
- D431,775 S * 10/2000 Plattner D9/415
- D492,847 S * 7/2004 Siefker D3/319
- D555,906 S * 11/2007 Hecht D3/318
- D578,409 S * 10/2008 Clark D9/703
- D764,939 S * 8/2016 Akana D9/703
- D785,463 S * 5/2017 Akana D9/703
- 2010/0084410 A1 * 4/2010 Tran B32B 3/28
220/592.2
- 2017/0156461 A1 * 6/2017 Chaffee A45C 3/04

* cited by examiner

Primary Examiner — Caron D Veynar

Assistant Examiner — Mehri Bajoul

(74) *Attorney, Agent, or Firm* — Porter, Wright, Morris & Arthur, LLP

(57) **CLAIM**

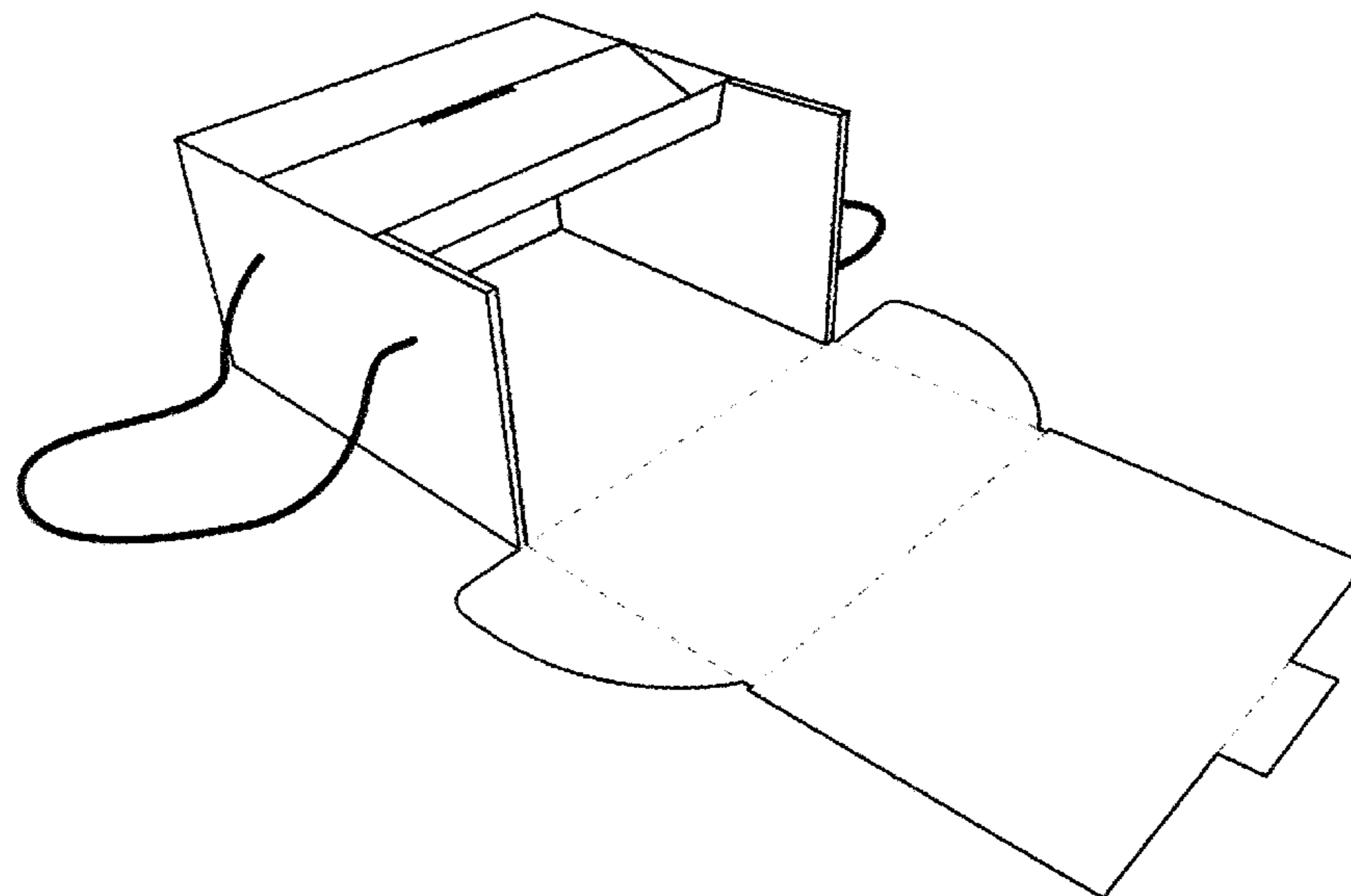
The ornamental design for a string compartment box, as shown and described.

DESCRIPTION

FIG. 1 is a perspective view of a string compartment box according to my new design;
FIG. 2 is a front view thereof;
FIG. 3 is a rear view thereof;
FIG. 4 is a right side view thereof;
FIG. 5 is a left side view thereof;
FIG. 6 is a top view thereof; and,
FIG. 7 is a bottom view thereof.

The broken lines in the figures indicate fold lines and form no part of the claimed design.

1 Claim, 7 Drawing Sheets



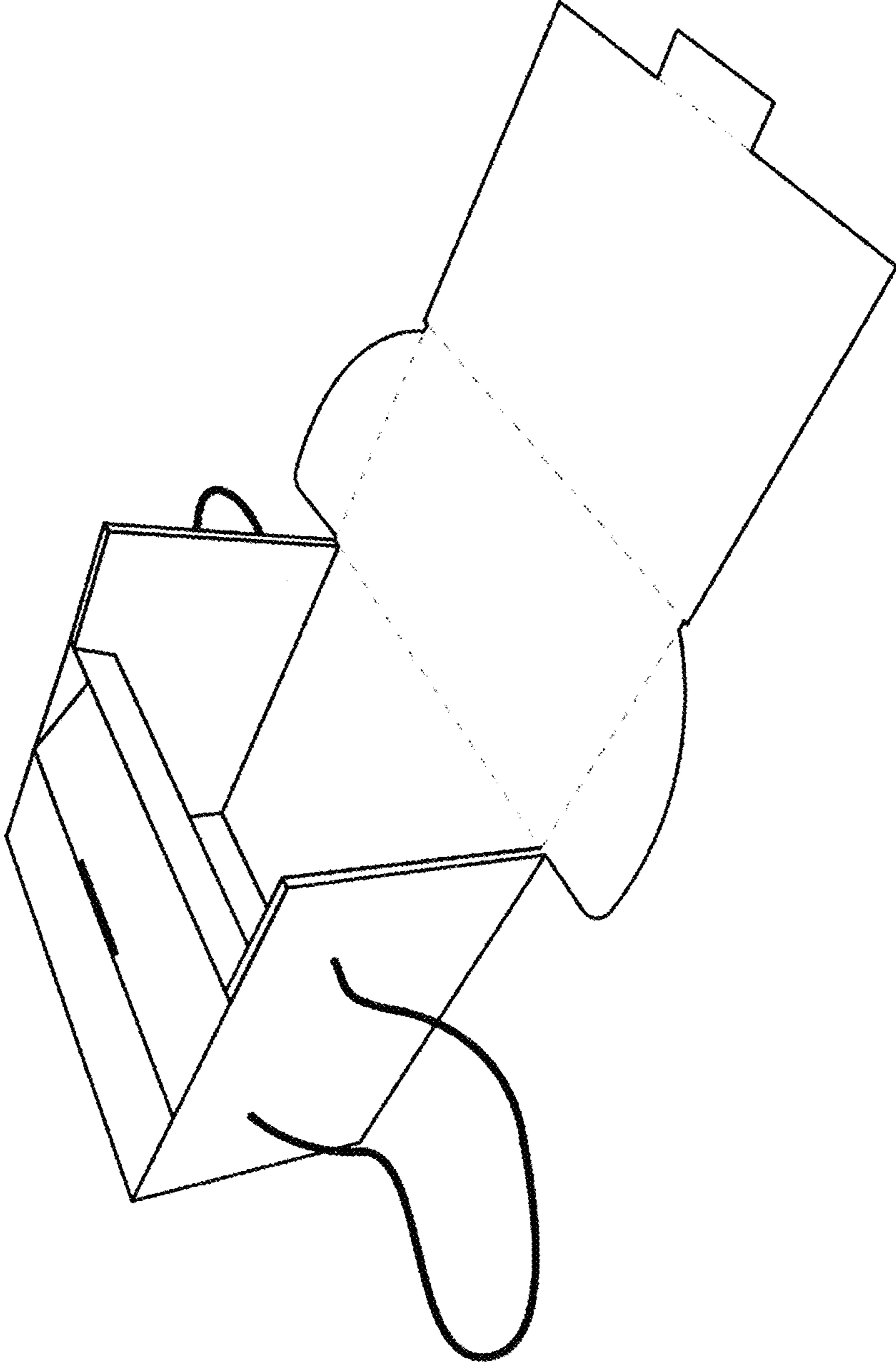


FIG. 1

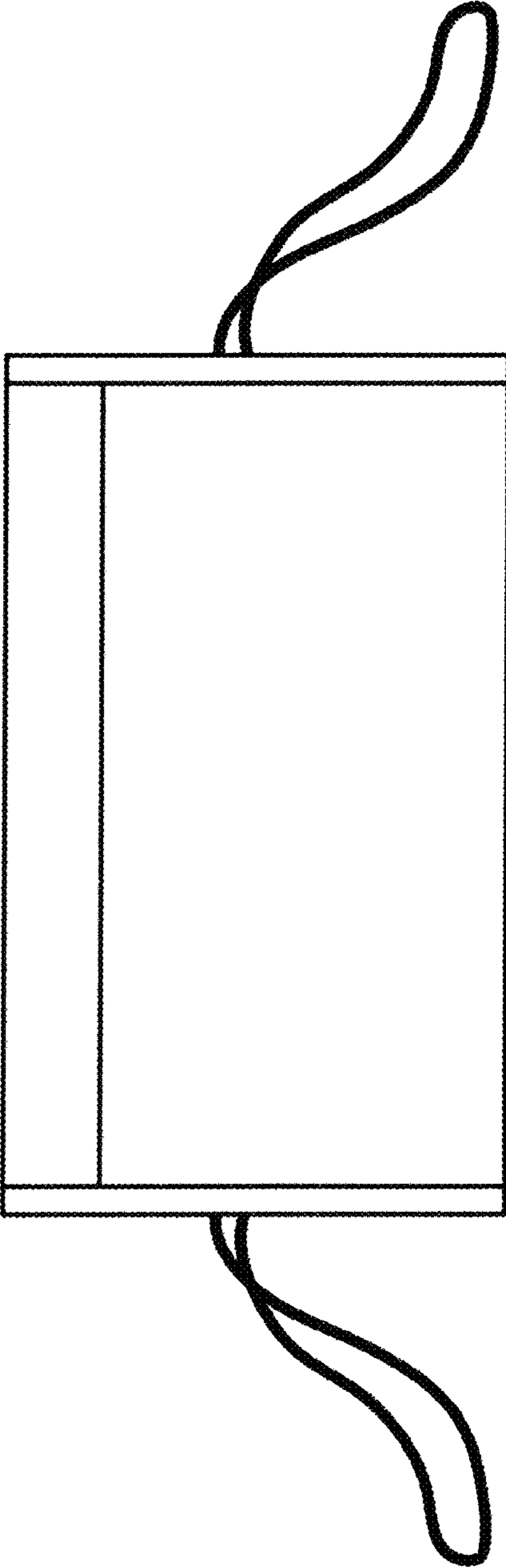


FIG. 2

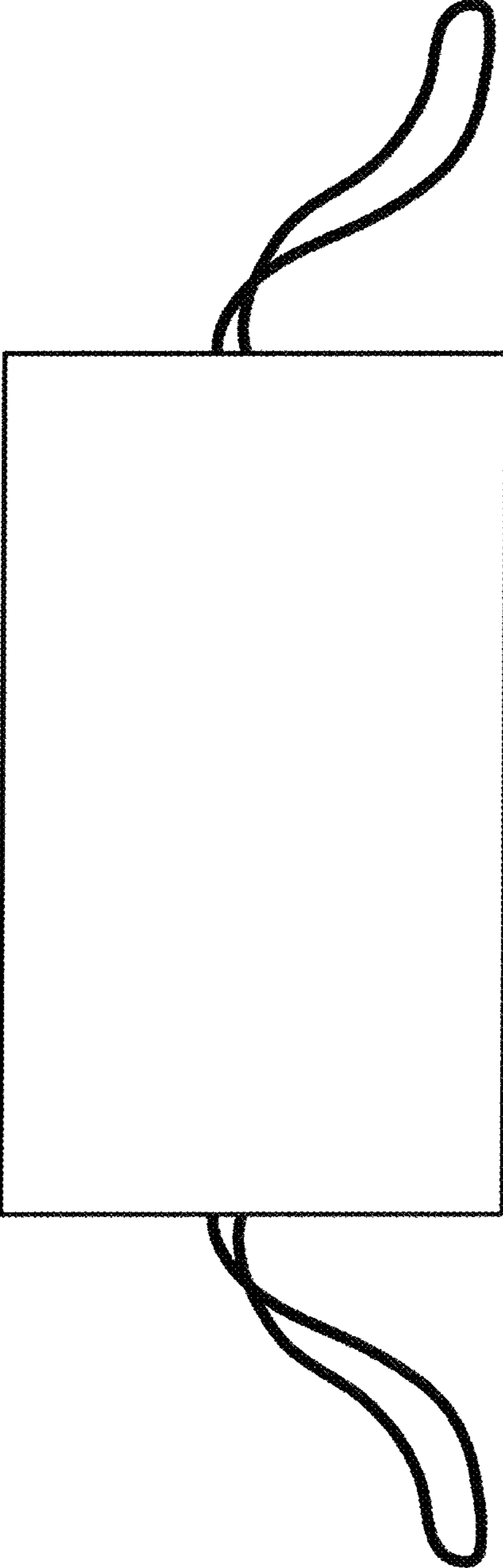


FIG. 3

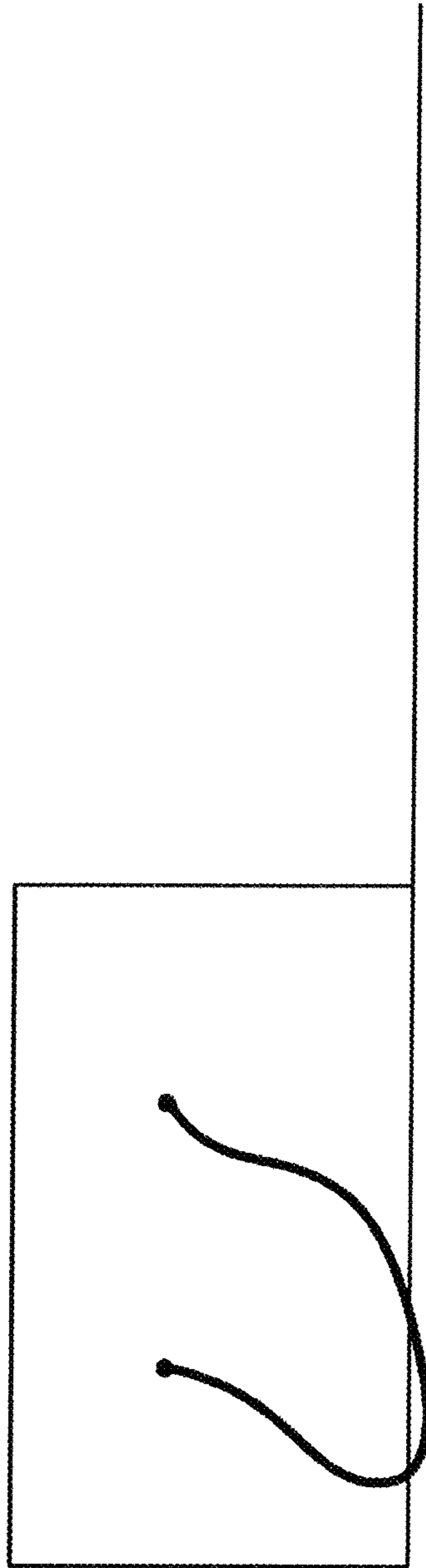


FIG. 4

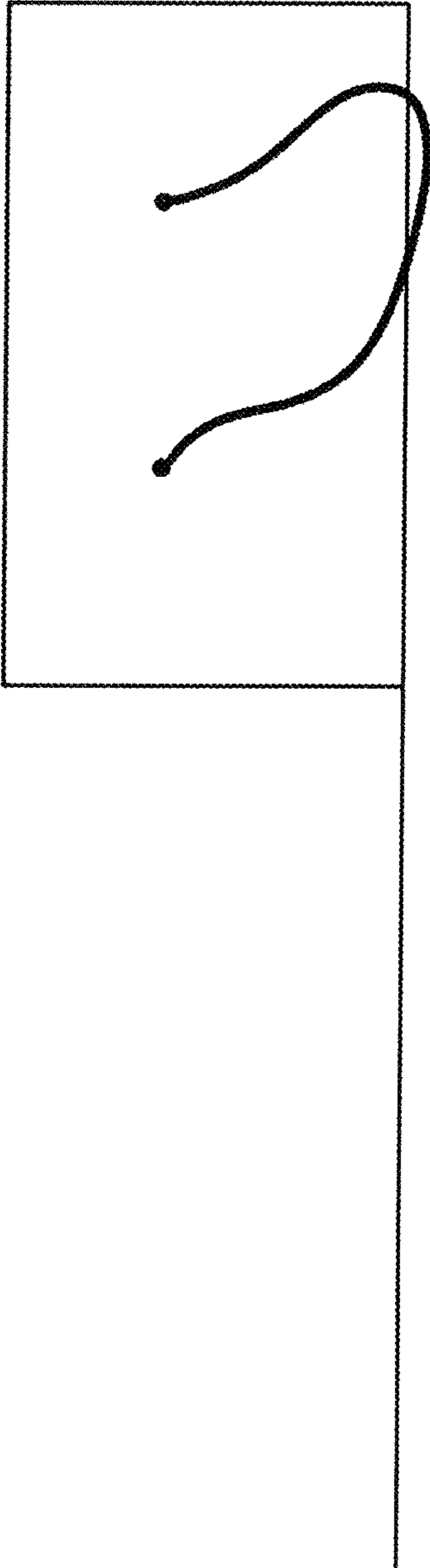


FIG. 5

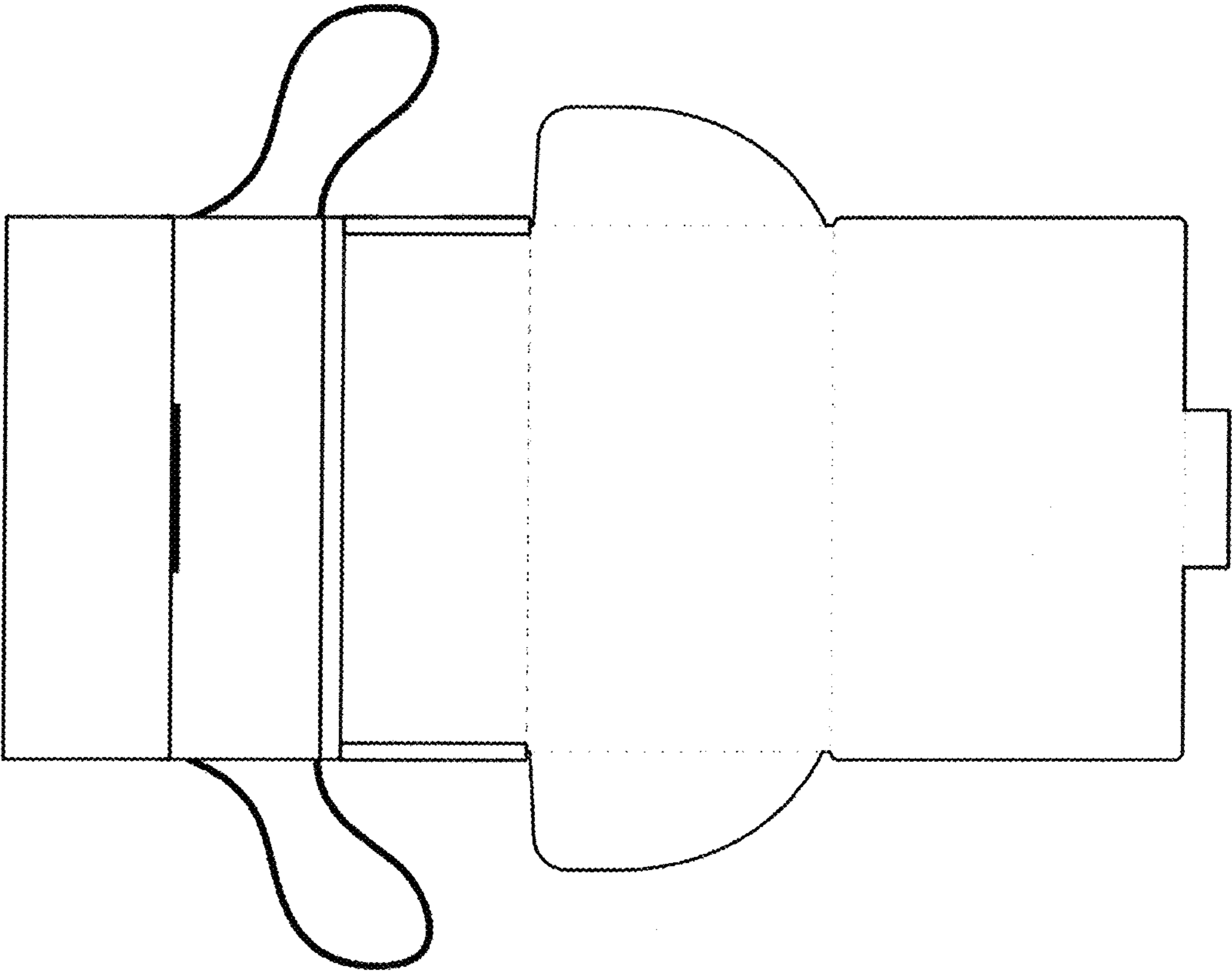


FIG. 6

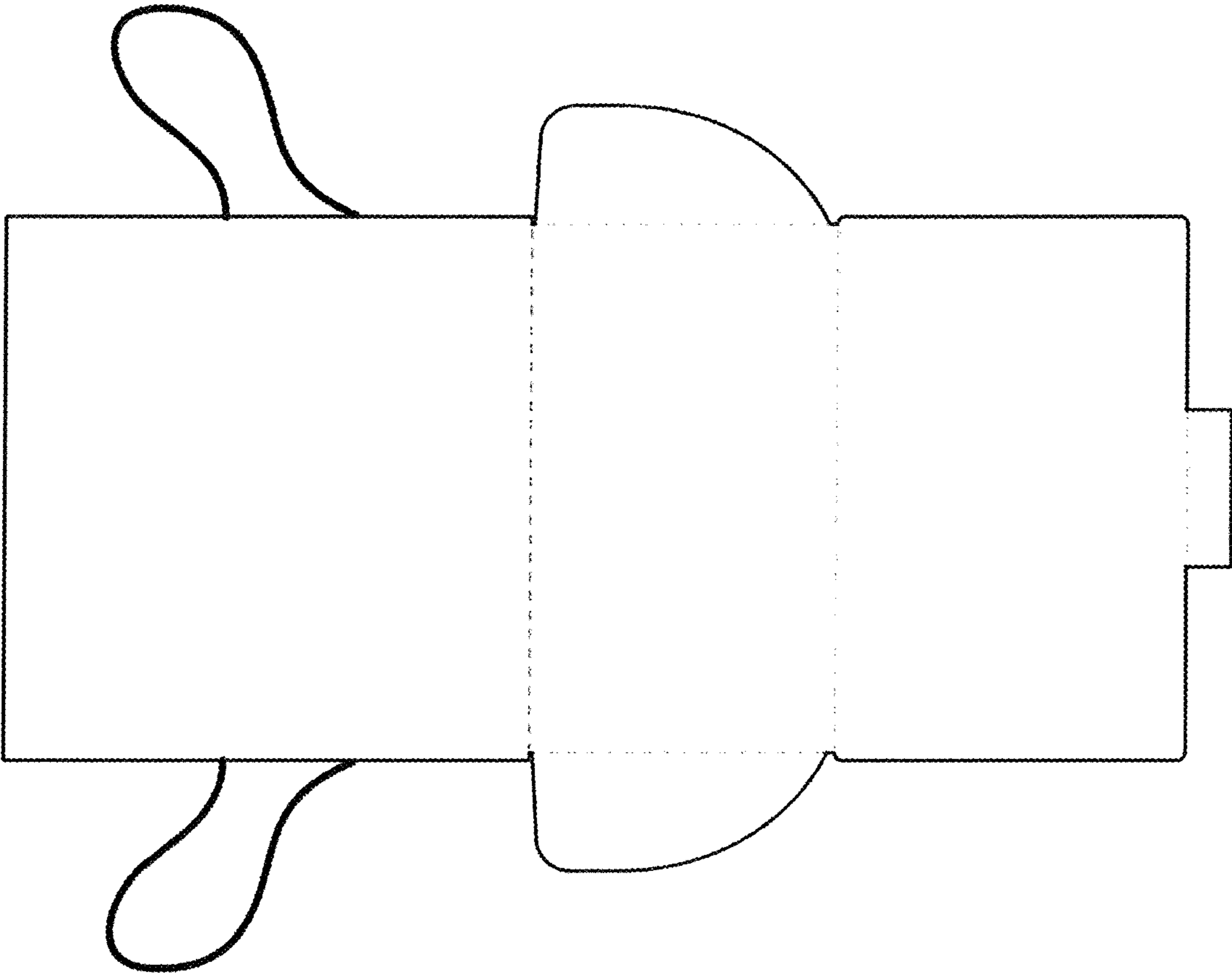


FIG. 7