



US00D809909S

(12) **United States Design Patent**  
**Neoh et al.**

(10) **Patent No.:** **US D809,909 S**  
(45) **Date of Patent:** **\*\* Feb. 13, 2018**

(54) **TUBING CLIPS**

3,993,079 A 11/1976 de Gatzlanondo  
4,029,099 A 6/1977 Fifield  
4,202,087 A 5/1980 Wilderman  
4,236,880 A 12/1980 Archibald

(71) Applicant: **Cook Medical Technologies LLC**,  
Bloomington, IN (US)

(Continued)

(72) Inventors: **Wen Hong Neoh**, Bloomington, IN  
(US); **James A. Taylor**, Bloomington,  
IN (US)

**FOREIGN PATENT DOCUMENTS**

(73) Assignee: **Cook Medical Technologies LLC**,  
Bloomington, IN (US)

EP 0 278 188 8/1988  
JP 63-154182 6/1988

(Continued)

(\*\*) Term: **14 Years**

**OTHER PUBLICATIONS**

(21) Appl. No.: **29/495,170**

GI Supply, "The Rp Paracentesis system," Date unknown, pp. 1-2.

(22) Filed: **Jun. 27, 2014**

(Continued)

**Related U.S. Application Data**

*Primary Examiner* — John Windmuller

(63) Continuation-in-part of application No. 13/832,768,  
filed on Mar. 15, 2013.

(74) *Attorney, Agent, or Firm* — Woodard, Emhardt,  
Moriarty, McNett & Henry LLP

(51) **LOC (11) Cl.** ..... **08-08**

(57) **CLAIM**

(52) **U.S. Cl.**  
USPC ..... **D8/395; D8/396**

The ornamental design for tubing clips, as shown and  
described.

(58) **Field of Classification Search**  
USPC ..... D8/394-396, 72; D19/56, 65;  
D32/60-64; D28/40  
CPC ... D06F 5/00; A44D 2203/00; A61B 17/0664;  
A61B 17/04; A61B 17/1265; A43D  
79/00; A41B 3/08; A41F 15/02; A62F  
2/0063

**DESCRIPTION**

See application file for complete search history.

FIG. 1 is a top, rear, right side perspective view of a tubing  
clip showing a new design;  
FIG. 2 is a top, front, right side perspective view thereof;  
FIG. 3 is a left side elevational view thereof;  
FIG. 4 is a right side elevational view thereof;  
FIG. 5 is a bottom view thereof;  
FIG. 6 is a top view thereof;  
FIG. 7 is a rear elevational view thereof; and,  
FIG. 8 is a front elevational view thereof.

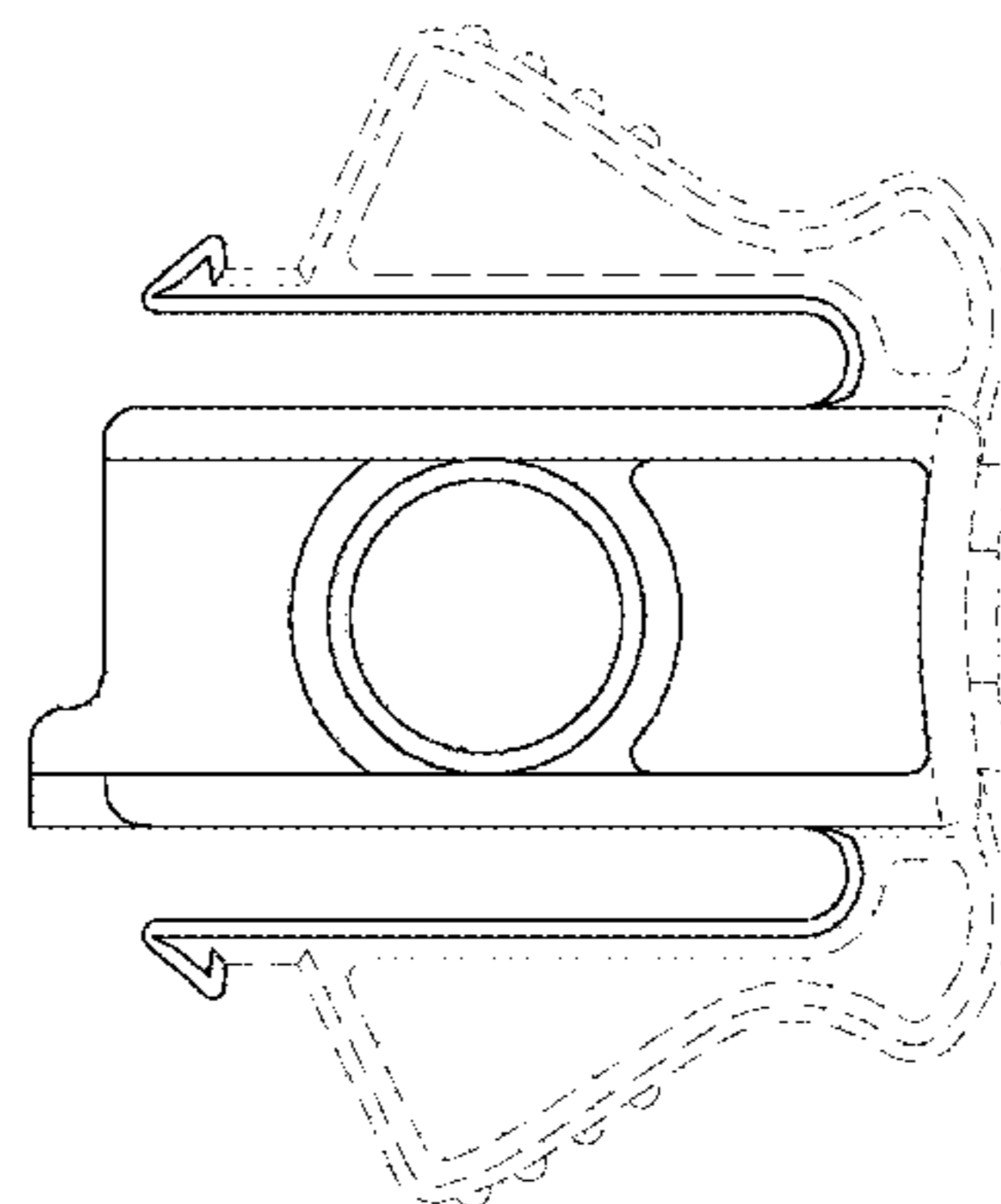
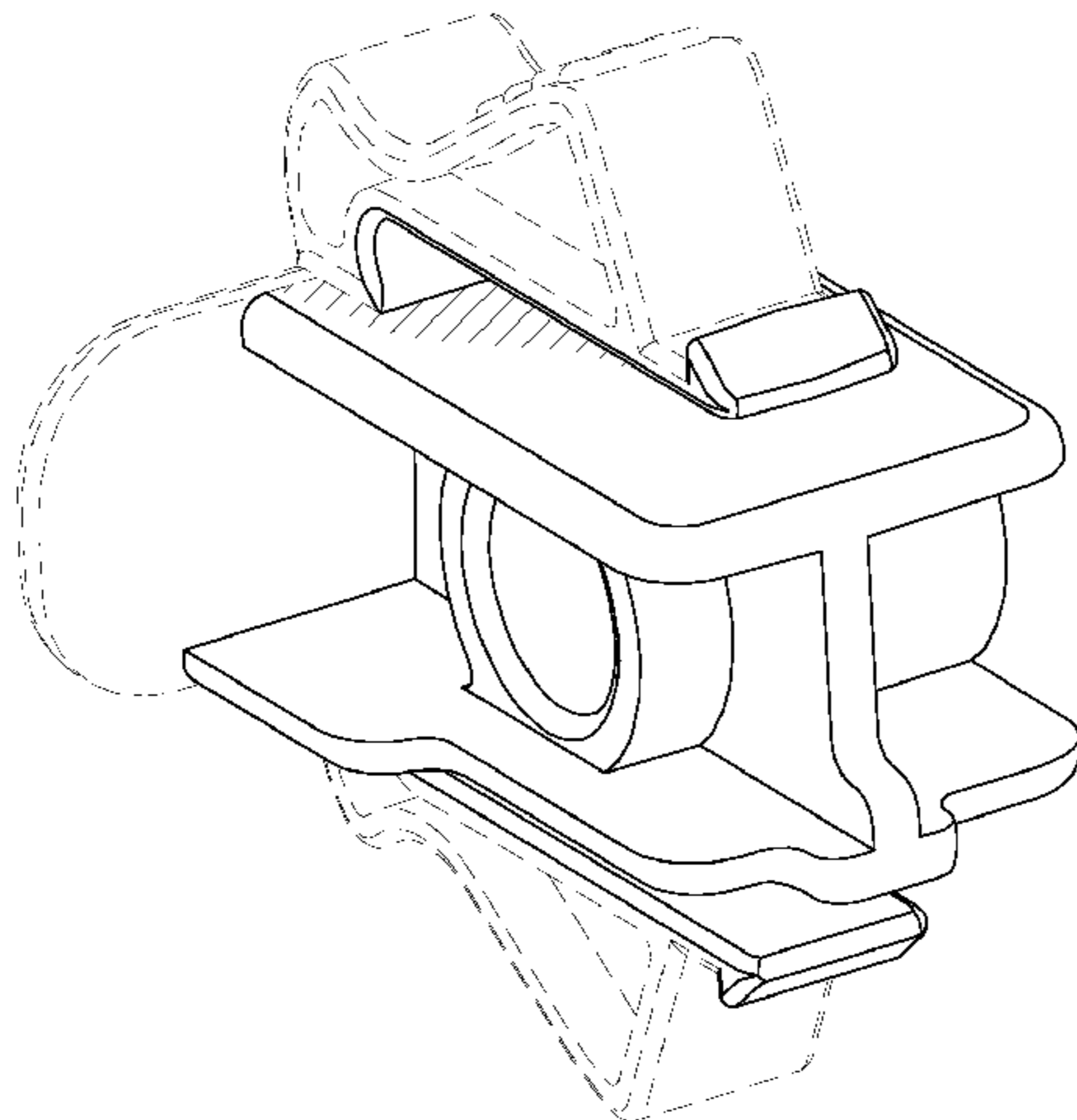
The broken lines are included for the purpose of illustrating  
the portions of the tubing clip that forms no part of the  
claimed design. The appearance within the unshaded areas  
defined by solid and/or broken lines within FIG. 8, likewise,  
forms no part of the claimed design.

(56) **References Cited**

**U.S. PATENT DOCUMENTS**

D34,445 S \* 4/1901 Burkholder ..... D8/373  
1,858,284 A \* 5/1932 Schwartz ..... B60M 5/00  
174/84 R  
3,807,675 A \* 4/1974 Seckerson ..... F16L 3/13  
24/337  
3,908,657 A 9/1975 Kowarski  
3,908,675 A 9/1975 Kowarski

**1 Claim, 5 Drawing Sheets**



(56)

References Cited

U.S. PATENT DOCUMENTS

4,392,858 A 7/1983 Georget et al.  
 4,447,235 A 5/1984 Clarke  
 4,661,093 A 4/1987 Beck et al.  
 4,755,168 A 7/1988 Romanelli et al.  
 4,784,156 A 11/1988 Garg  
 4,820,265 A 4/1989 DeSatnick et al.  
 4,963,131 A 10/1990 Wortrich  
 4,966,580 A 10/1990 Turner et al.  
 4,976,590 A 12/1990 Baldwin  
 5,125,891 A 6/1992 Hossain et al.  
 5,213,483 A 5/1993 Flaherty et al.  
 5,259,843 A 11/1993 Watanabe et al.  
 5,282,787 A 2/1994 Wortrich  
 5,322,422 A 6/1994 Natwick et al.  
 5,388,972 A 2/1995 Calhoun et al.  
 5,569,026 A 10/1996 Novak  
 5,697,898 A 12/1997 Devine  
 5,833,667 A 11/1998 Bierman  
 5,911,222 A 6/1999 Lawrence et al.  
 5,927,951 A 7/1999 Tamari  
 5,927,956 A 7/1999 Lim et al.  
 5,928,257 A 7/1999 Kablik et al.  
 D420,738 S 2/2000 Carter et al.  
 6,319,223 B1 11/2001 Wortrich et al.  
 D455,337 S \* 4/2002 Maruoka ..... D8/383  
 6,494,692 B1 12/2002 Green  
 6,494,693 B1 12/2002 Sunden  
 D513,171 S \* 12/2005 Richardson ..... D25/133  
 7,168,930 B2 1/2007 Cull et al.  
 7,186,230 B2 3/2007 Briggs et al.  
 7,198,751 B2 4/2007 Carpenter et al.  
 7,214,038 B2 5/2007 Saxer et al.  
 7,273,359 B2 9/2007 Blight et al.  
 7,291,128 B2 11/2007 Rossi et al.  
 7,478,999 B2 1/2009 Limoges  
 7,922,148 B2 4/2011 Walborn  
 7,980,835 B2 7/2011 LaBanco et al.  
 8,047,819 B2 11/2011 Lawrence et al.  
 8,052,642 B2 11/2011 Harr et al.  
 8,052,643 B2 11/2011 Hudson et al.  
 8,053,721 B2 11/2011 Bisch et al.  
 8,142,399 B2 3/2012 Hanlon et al.  
 8,142,404 B2 3/2012 Knauper et al.  
 8,154,274 B2 4/2012 Wiesner et al.  
 D661,981 S \* 6/2012 Melino, Sr. .... D8/396

D675,512 S \* 2/2013 Gary ..... D8/395  
 D704,040 S \* 5/2014 Kosaku ..... D8/394  
 D712,731 S \* 9/2014 Brown ..... D8/394  
 D748,461 S \* 2/2016 Catchings ..... D8/394  
 D766,711 S \* 9/2016 Babbage ..... D8/394  
 D774,880 S \* 12/2016 Wirth ..... D8/394  
 2004/0049157 A1 3/2004 Plishka et al.  
 2004/0127840 A1 7/2004 Gara et al.  
 2005/0069437 A1 3/2005 Mittelstein et al.  
 2005/0118048 A1 6/2005 Traxinger  
 2007/0104599 A1 5/2007 Michels et al.  
 2007/0282268 A1 12/2007 Mayse  
 2008/0085200 A1 4/2008 Michels et al.  
 2008/0202529 A1 8/2008 Flory et al.  
 2009/0087327 A1 4/2009 Voltenburg, Jr. et al.  
 2010/0049134 A1 2/2010 Schuman, Jr.

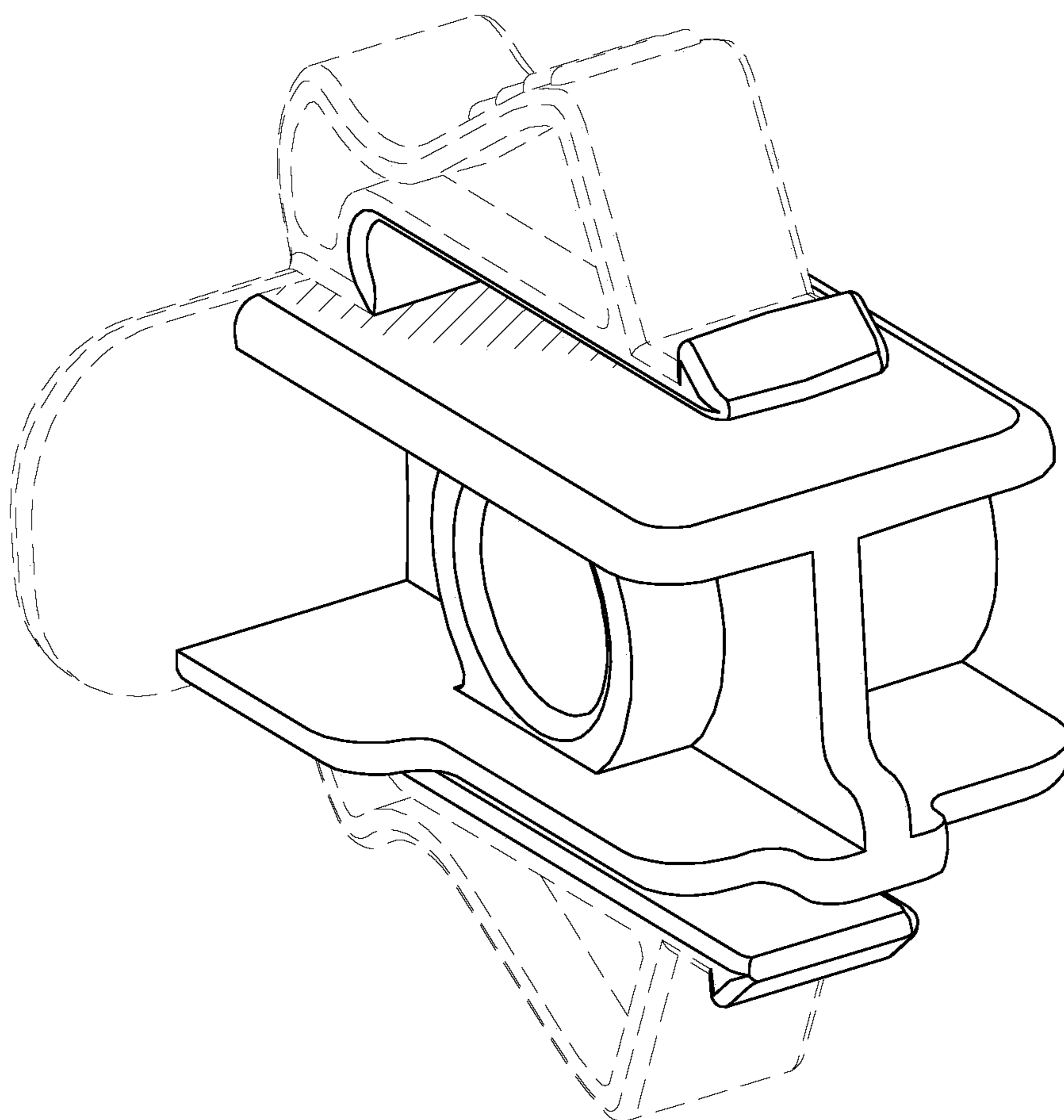
FOREIGN PATENT DOCUMENTS

JP 2002-538899 11/2002  
 JP 2005-103257 4/2005  
 JP 2007-236597 9/2007  
 WO PCT/US00/06945 9/2000  
 WO WO 00/54824 9/2000

OTHER PUBLICATIONS

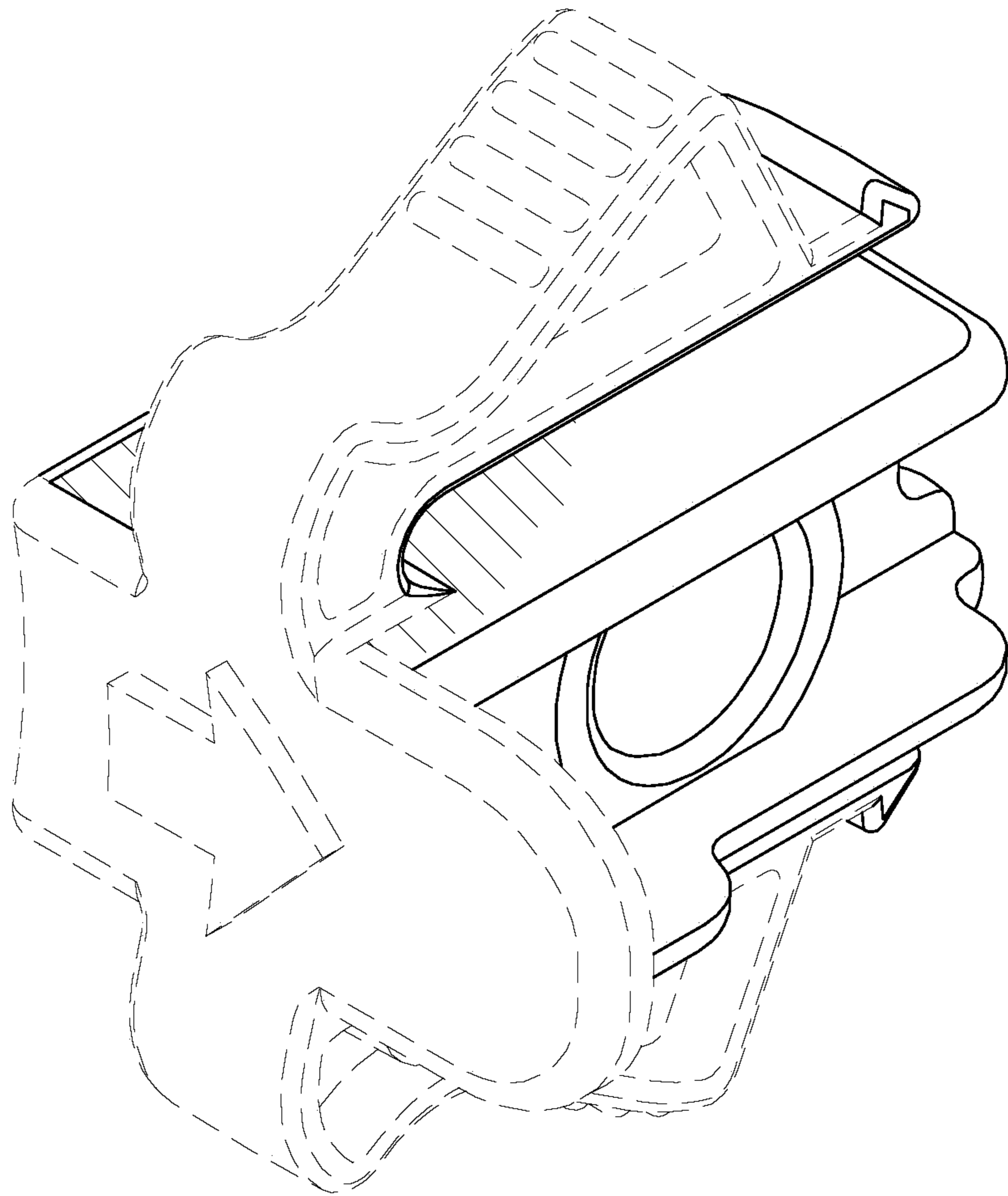
IDEX Health & Science LLC Catalog, 2011-2012, Pumps Section, Cover page and pps. 104-110, downloaded from: [http://www.idexhs.com/about/data\\_sheets/90\\_Pumps\\_lr.pdf](http://www.idexhs.com/about/data_sheets/90_Pumps_lr.pdf).  
 ISMATEC SA/REGLO Analog Operating Manual, 13.11.06/CB/GP, Front Cover, p. 12, Back Cover, downloaded 2013 from: [http://www.ismatec.com/images/pdf/manuals/Reglo\\_Analog.pdf](http://www.ismatec.com/images/pdf/manuals/Reglo_Analog.pdf).  
 Lexis-Nexis Total Patent English Translation of JP 2007-236597, Entitled: Transfusion Apparatus, Published Sep. 20, 2007, Applicant: Atom Medical Corp. English Translation obtained Apr. 2, 2014.  
 NPL—Patent Abstract/English Translation of JP 63-154182, Entitled, Tube Set.  
 NPL—Patent Abstract/English Translation of Abstract JP 2005-103257, Entitled, Blood Separation Apparatus.  
 NPL—Patent Abstract/English Translation of Abstract, JP 2002-538899, Entitled System and Method for Processing Blood.  
 Abstract of WO 0054824 (A1) Corresponding to WO PCT/US00/06945.

\* cited by examiner



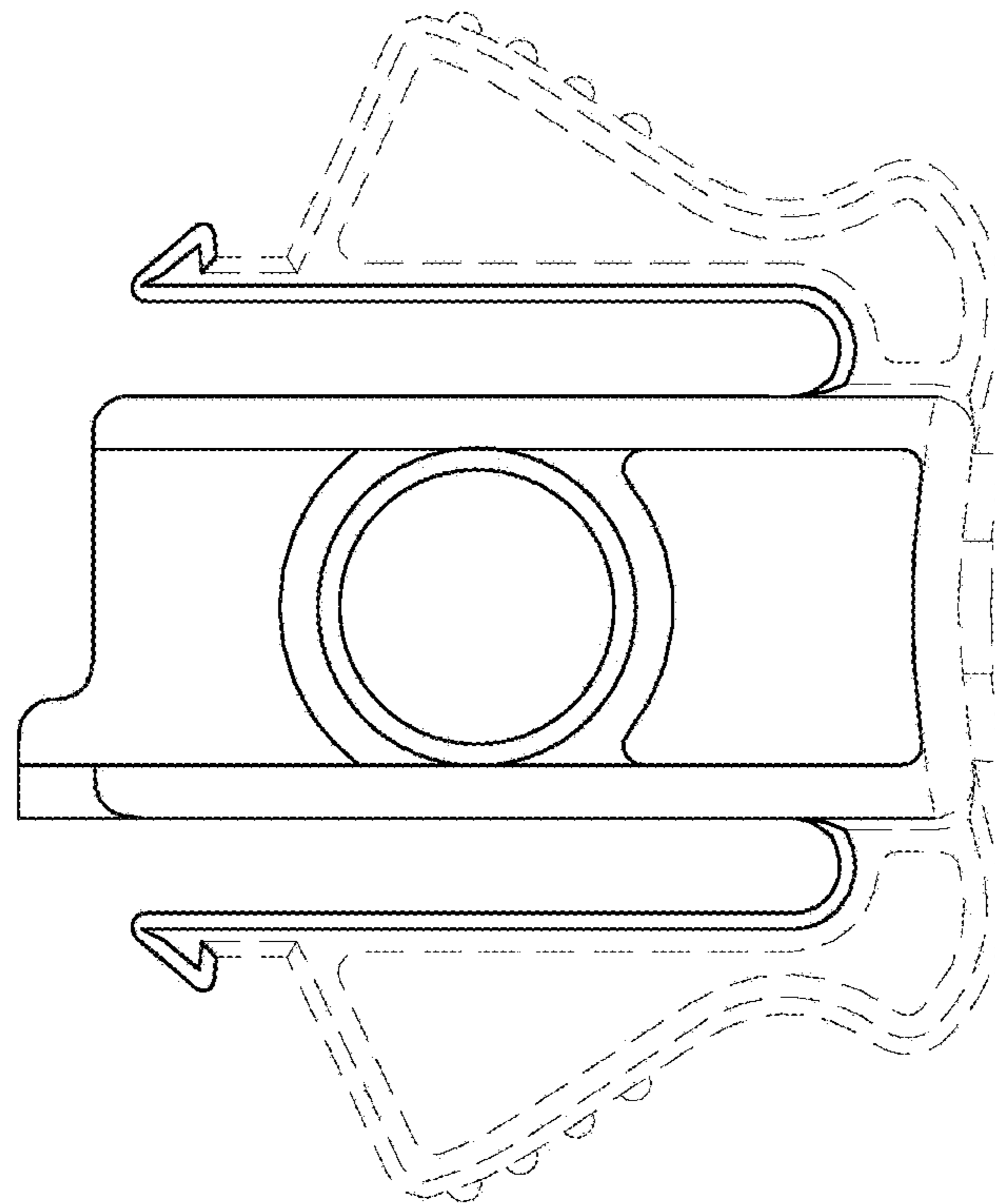
**Fig. 1**



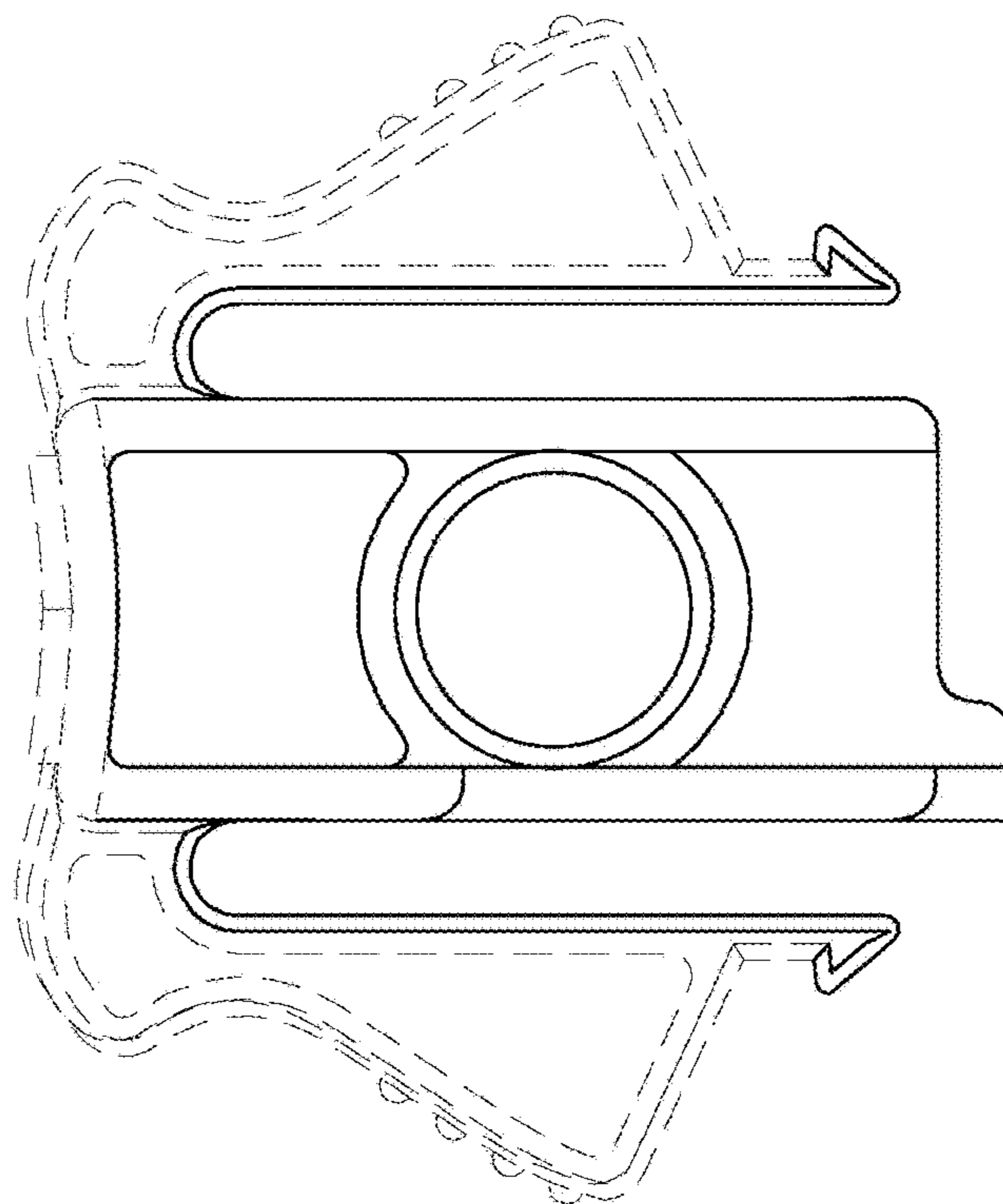


**Fig. 2**

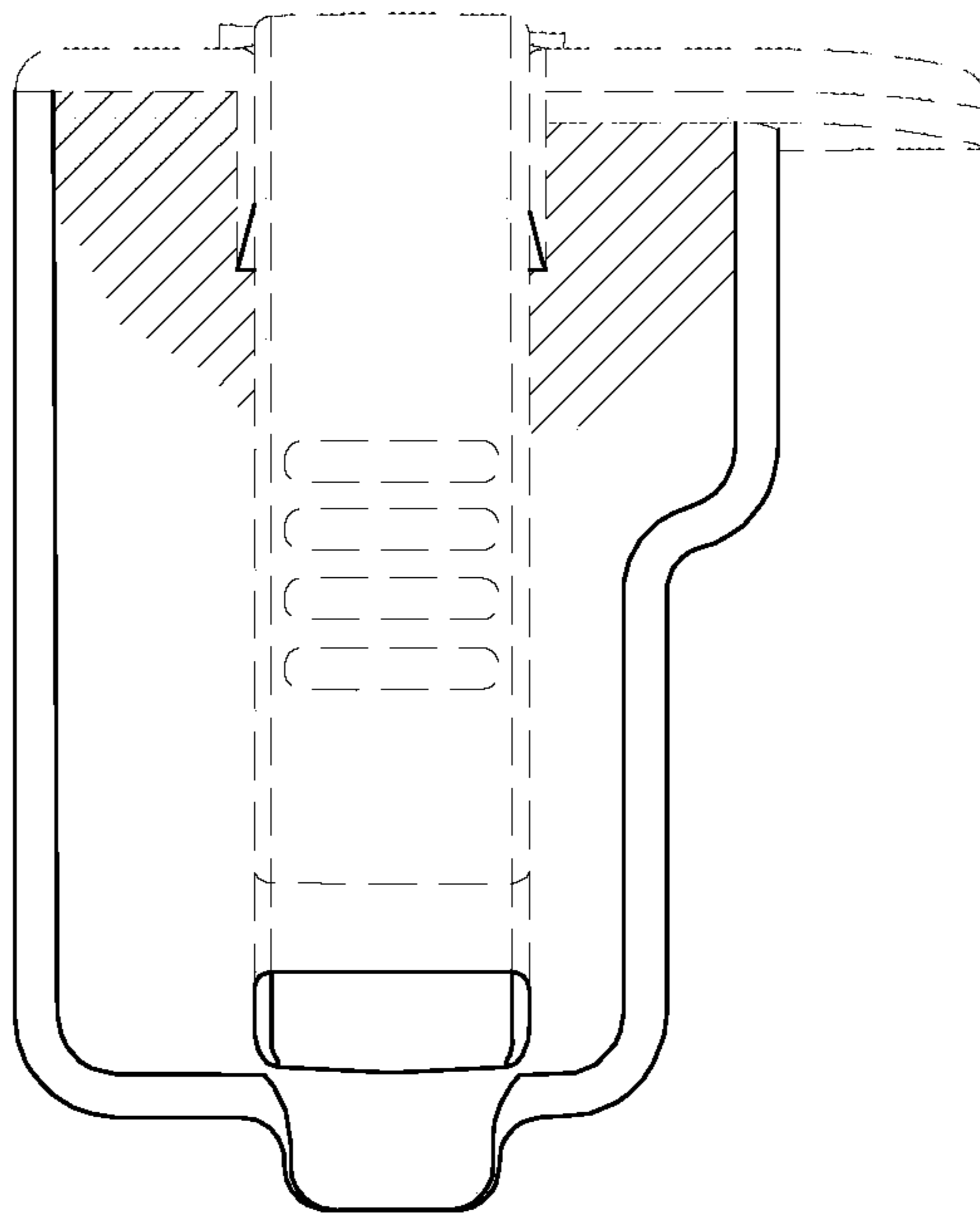
**Fig. 3**



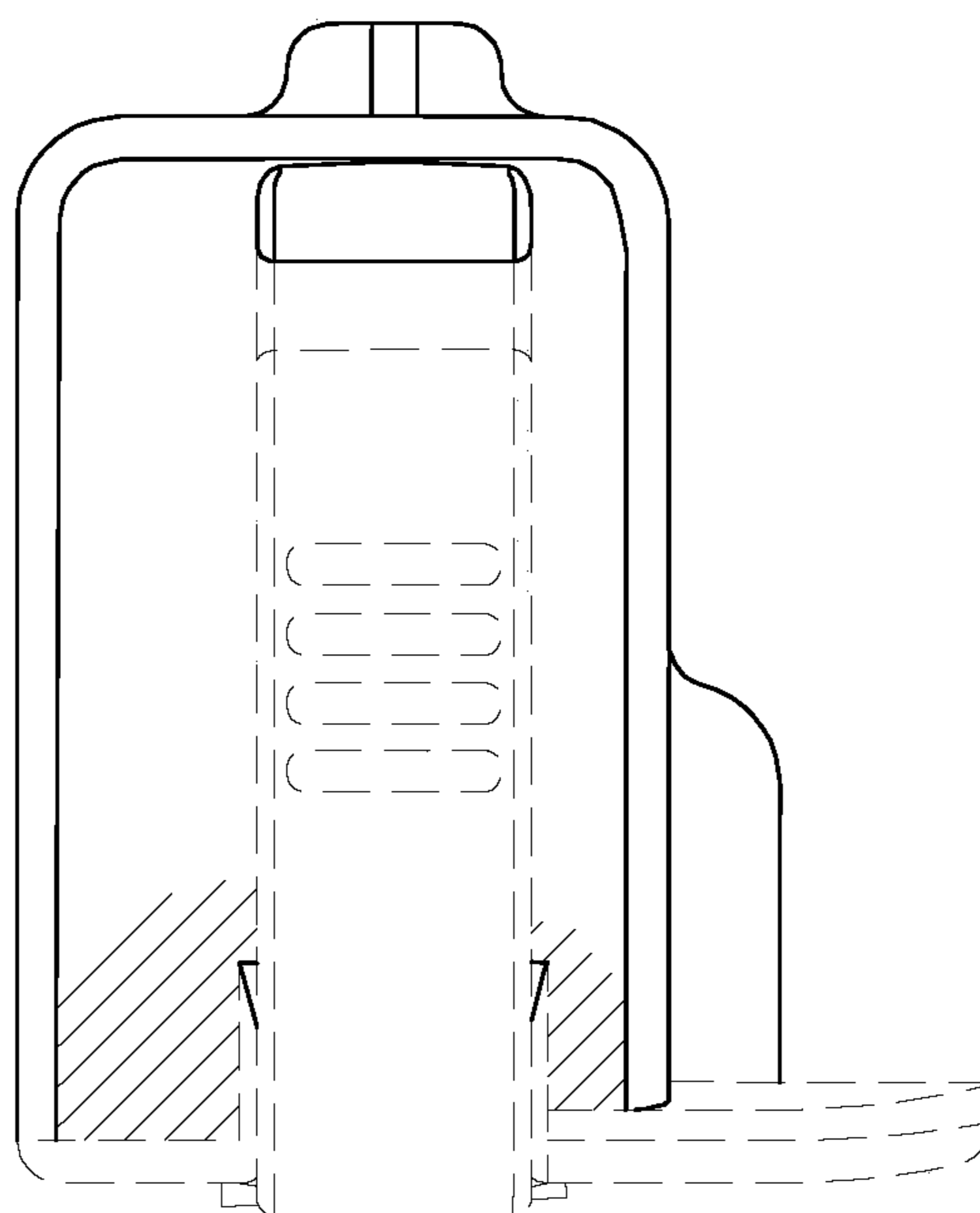
**Fig. 4**



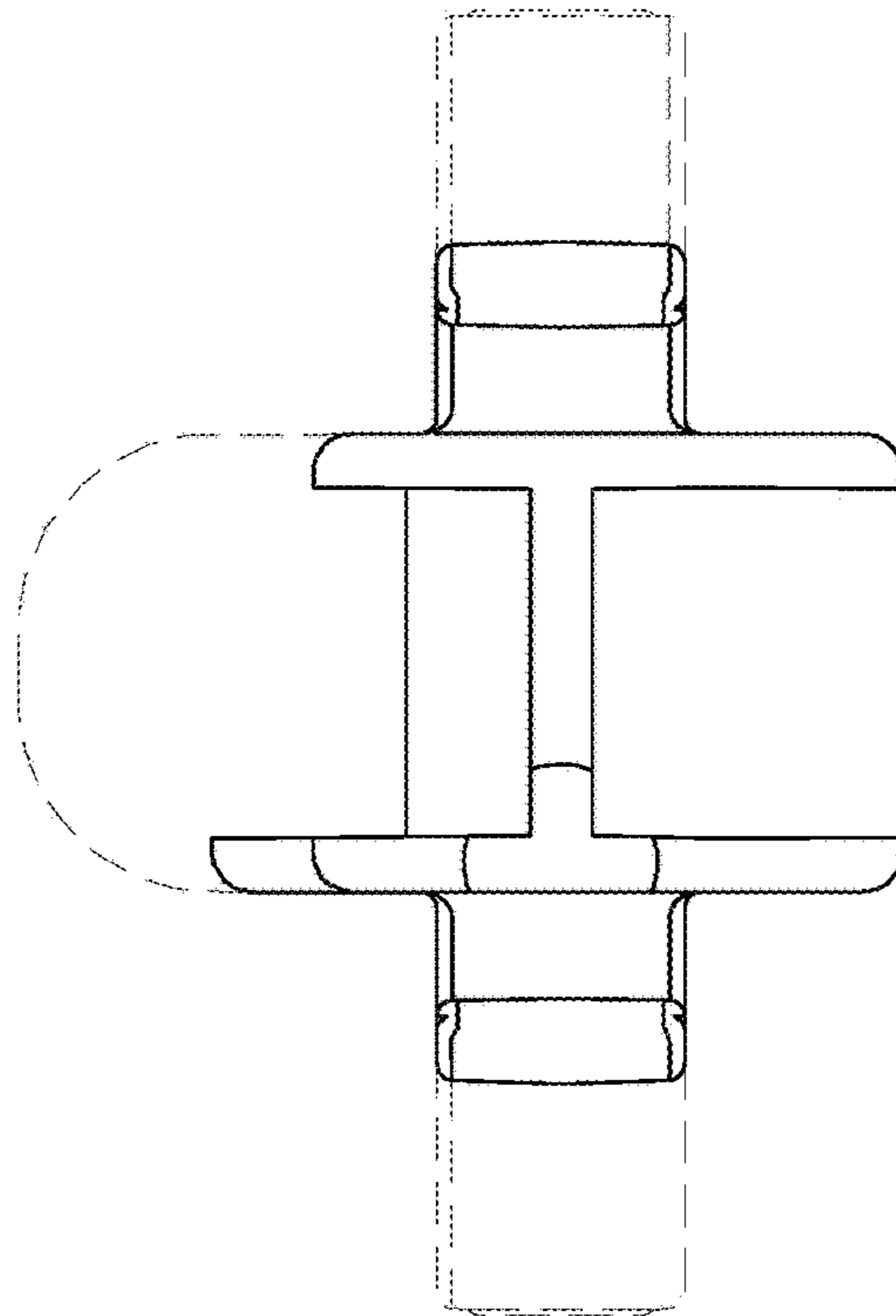
**Fig. 5**



**Fig. 6**



**Fig. 7**



**Fig. 8**

