



US00D809905S

(12) **United States Design Patent** (10) **Patent No.:** **US D809,905 S**
Gunderson et al. (45) **Date of Patent:** **** Feb. 13, 2018**

(54) **HOOK**
(71) Applicant: **Target Brands, Inc.**, Minneapolis, MN (US)
(72) Inventors: **Jennifer J. Gunderson**, Saint Paul, MN (US); **Douglas Le'Spencer Walker**, Minneapolis, MN (US)
(73) Assignee: **Target Brands, Inc.**, Minneapolis, MN (US)
(**) Term: **15 Years**

5,287,946 A 2/1994 Mayo
D347,129 S 5/1994 Zinke et al.
D382,513 S 8/1997 Bozzone
6,006,469 A 12/1999 DeMatties
D455,065 S 4/2002 Berg
6,364,260 B1 4/2002 Lorincz et al.
D494,844 S * 8/2004 Klein D8/372
D536,882 S * 2/2007 Sheley D6/323
D584,939 S 1/2009 Snell
D607,211 S * 1/2010 Reynolds D3/318
D608,622 S * 1/2010 Zhu D6/513
D613,589 S 4/2010 Goodman et al.
D628,052 S 11/2010 Carl
D638,284 S * 5/2011 Craft D8/373
(Continued)

(21) Appl. No.: **29/535,403**
(22) Filed: **Aug. 6, 2015**
(51) **LOC (11) Cl.** **08-05**
(52) **U.S. Cl.**
USPC **D8/371**
(58) **Field of Classification Search**
USPC D8/355, 363, 366, 367, 371, 372, 373;
D6/323, 324, 327, 328, 524, 526, 531,
D6/534, 538, 553
CPC A47G 7/044; A47G 7/047; A01G 9/02
See application file for complete search history.

OTHER PUBLICATIONS

Better Homes and Garden, "Creative Bathroom Storage Ideas", <http://www.bhg.com/bathroom/storage/storage-solutions/bathroom-storage-ideas1/>, at least as early as Jun. 18, 2015, 1 page.

(Continued)

Primary Examiner — Robert M. Spear
Assistant Examiner — Eliza Z Bennett-Hattan
(74) *Attorney, Agent, or Firm* — Leanne Taveggia Farrell; Westman, Champlin & Koehler, P.A.

(56) **References Cited**

U.S. PATENT DOCUMENTS

93,551 A 8/1869 Oakley
680,507 A 8/1901 Thomas
1,919,824 A 7/1933 Bruning
D109,291 S 1/1938 Beyrle
2,114,357 A 4/1938 Schott
2,477,509 A 7/1949 Burgesser
D165,553 S 12/1951 Schoor
D318,608 S 7/1991 Schenker
5,127,188 A 7/1992 Shaw et al.
D334,309 S 3/1993 Stricker
D339,256 S 9/1993 Sielaff
D342,889 S 1/1994 Adams

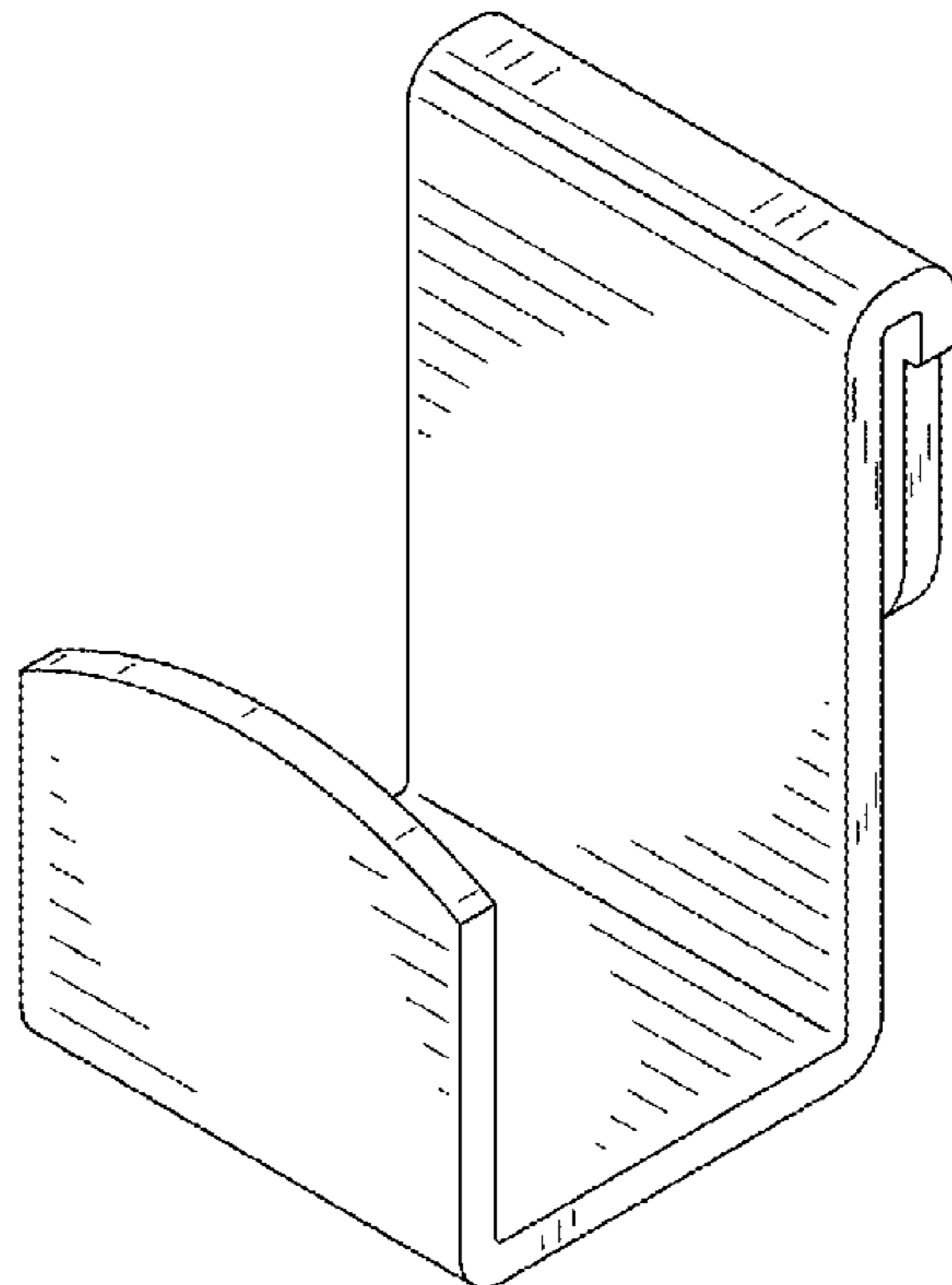
(57) **CLAIM**

The ornamental design for a hook, as shown and described.

DESCRIPTION

FIG. 1 is a perspective view of a hook showing a new design;
FIG. 2 is a front view thereof;
FIG. 3 is a back view thereof;
FIG. 4 is a right side view thereof, the left side view being a mirror image;
FIG. 5 is a top view thereof; and,
FIG. 6 is a bottom view thereof.

1 Claim, 2 Drawing Sheets



(56)

References Cited

U.S. PATENT DOCUMENTS

D643,232	S	8/2011	Wagner	
D685,851	S	7/2013	Offenkrantz	
8,596,473	B2	12/2013	Newbould et al.	
D702,540	S *	4/2014	Kacines	D8/367
D705,542	S *	5/2014	Holt	D3/318
D716,641	S	11/2014	Goodman et al.	
D742,728	S *	11/2015	Ostler	D8/373
D779,927	S *	2/2017	Marshall	D8/367
D781,069	S *	3/2017	Marshall	D6/553
2014/0103000	A1	4/2014	Avissar	
2015/0150198	A1	6/2015	Sinha	

OTHER PUBLICATIONS

DIY Crafts, "30 Brilliant Bathroom Organization and Storage DIY Solutions", <http://www.diyncrafts.com/2621/home/30-brilliant-bathroom-organization-and-storage-diy-solutions>, at least as early as Jun. 18, 2015, 1 page.

* cited by examiner

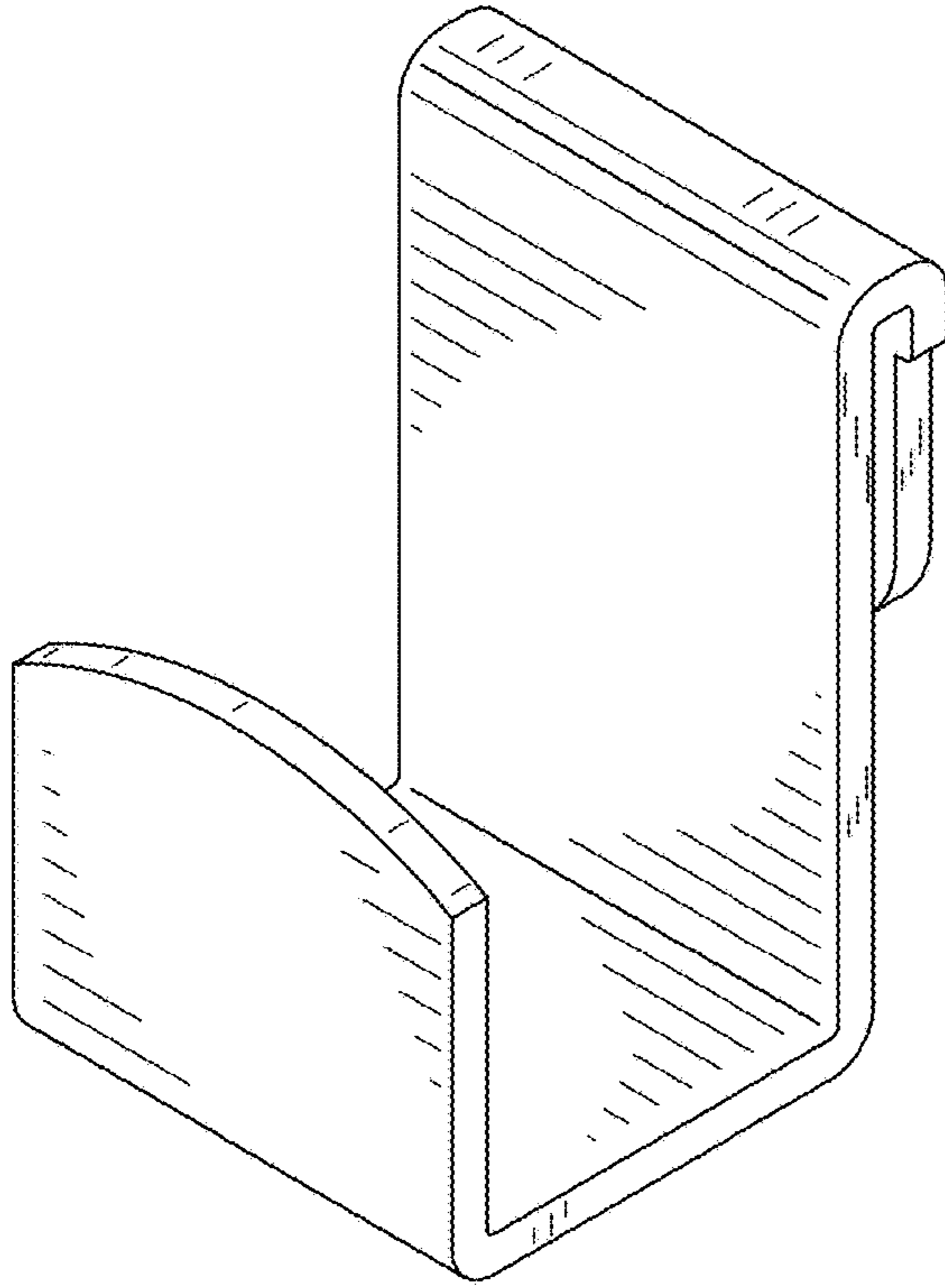


Fig. 1

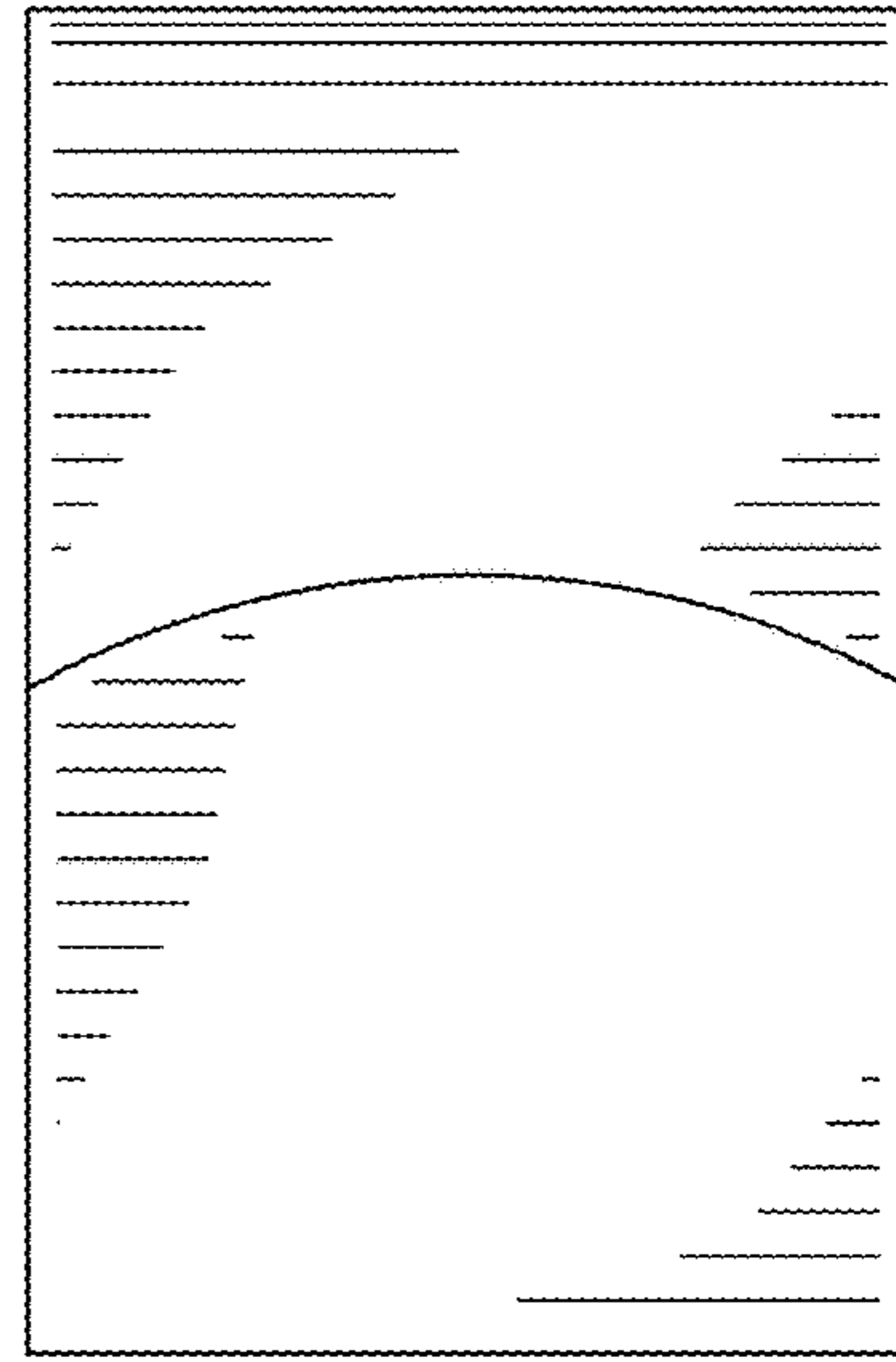


Fig. 2

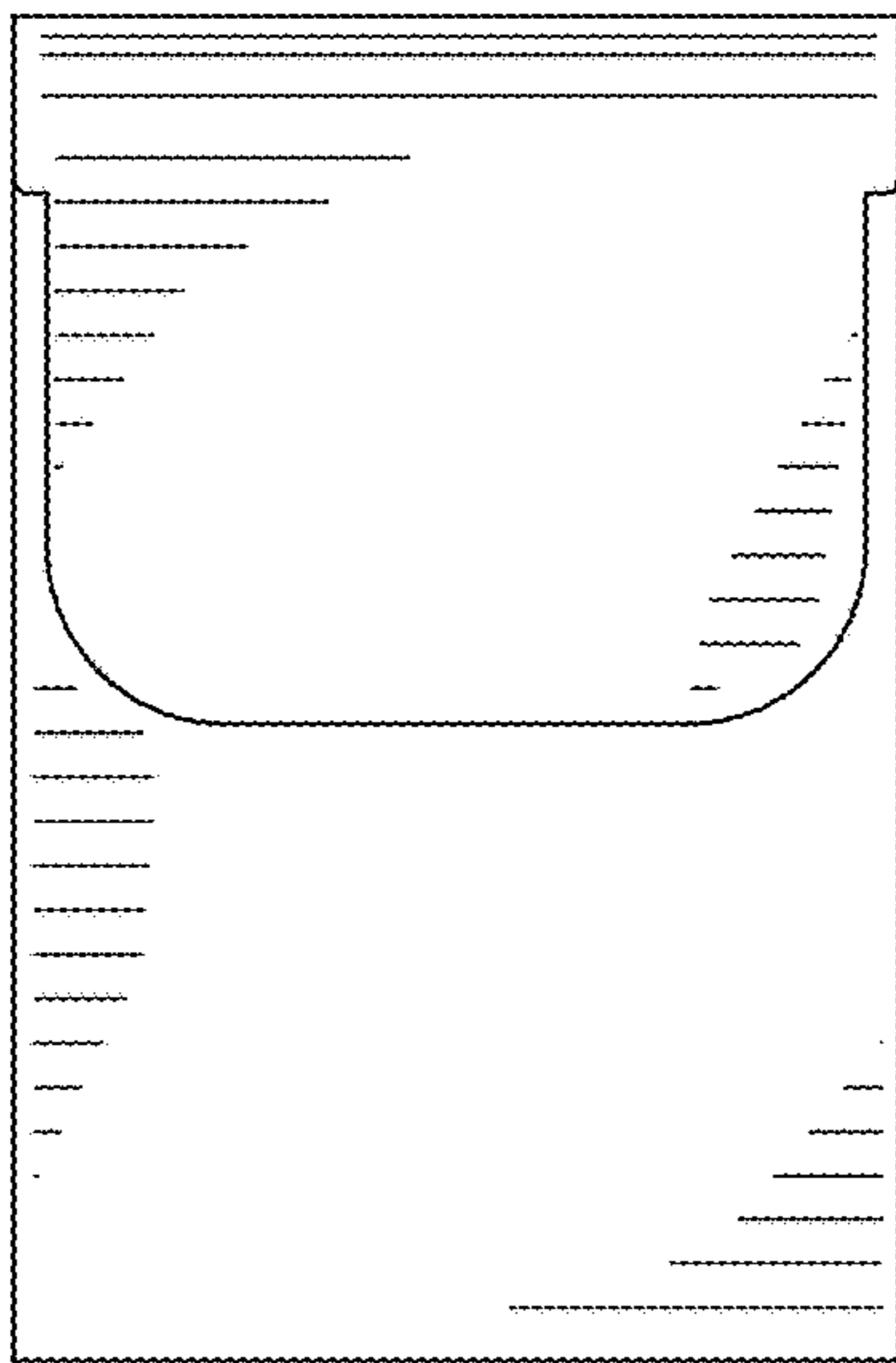


Fig. 3

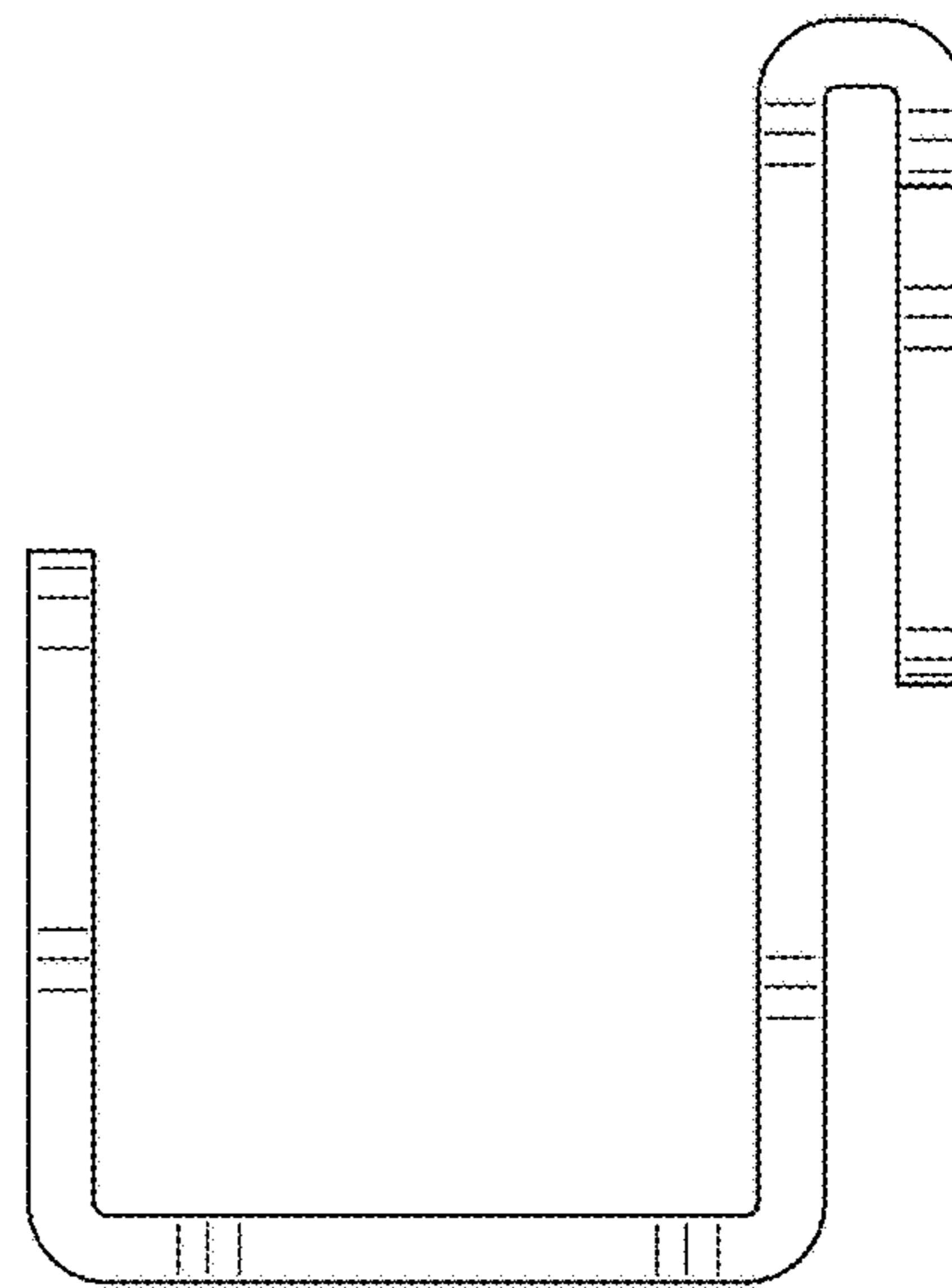


Fig. 4

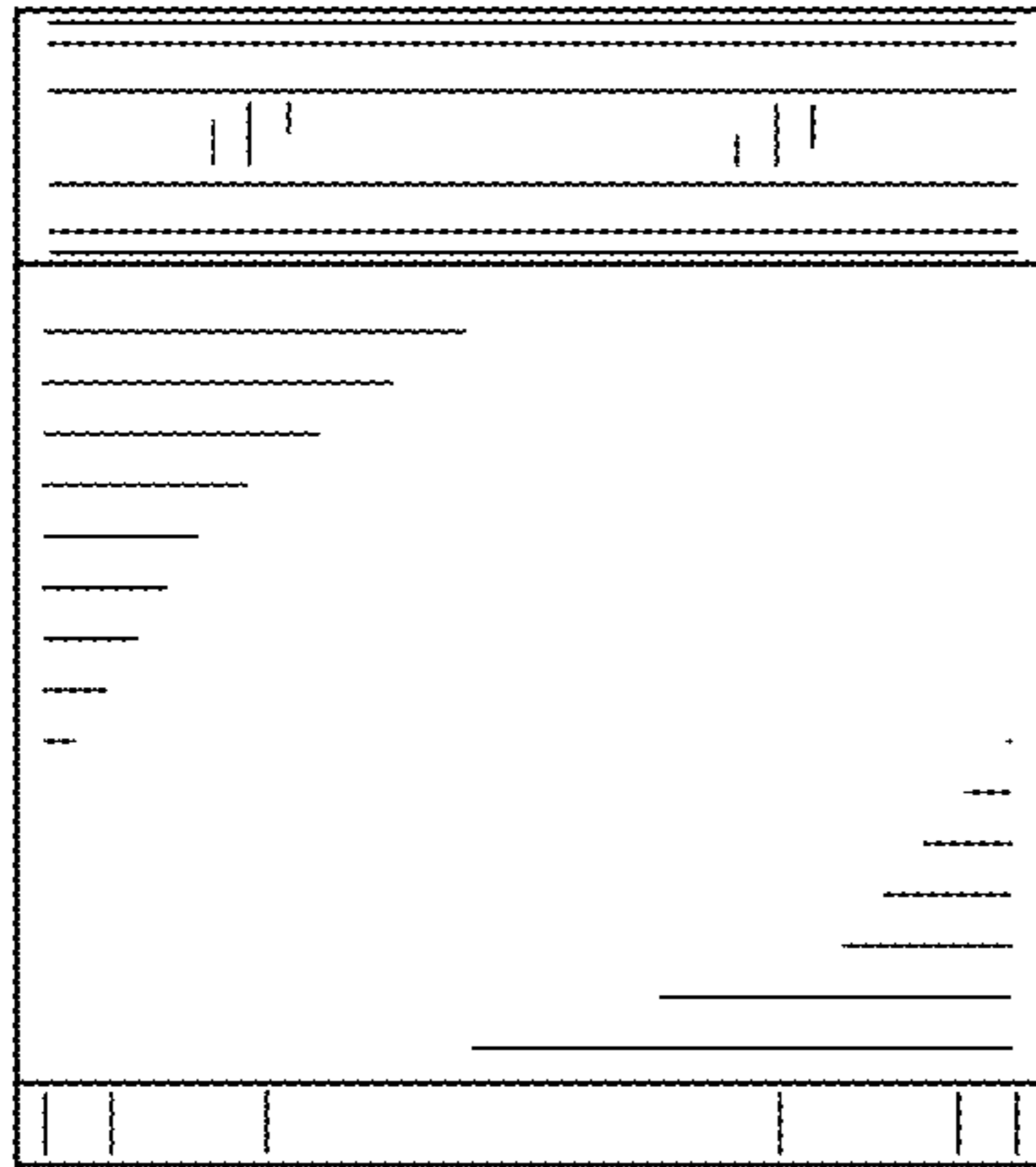


Fig. 5

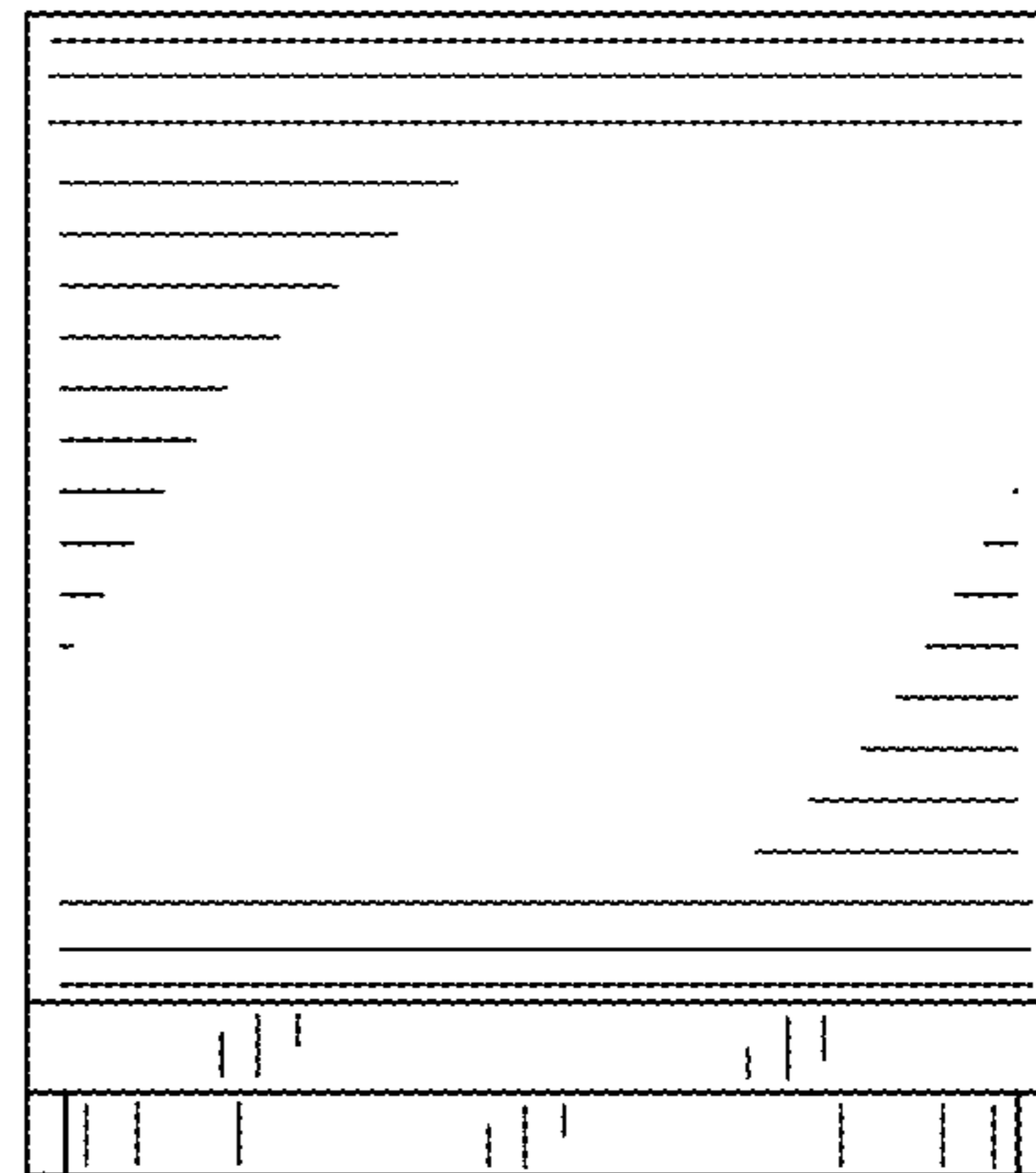


Fig. 6