



US00D809902S

(12) **United States Design Patent** (10) **Patent No.:** **US D809,902 S**
Belt (45) **Date of Patent:** **** Feb. 13, 2018**

(54) **PIGTAIL STRAIN RELIEF DEVICE**
(71) Applicant: **X Development LLC**, Mountain View, CA (US)
(72) Inventor: **Robert Todd Belt**, Los Altos, CA (US)
(73) Assignee: **X Development LLC**, Mountain View, CA (US)
(**) Term: **15 Years**
(21) Appl. No.: **29/586,313**
(22) Filed: **Dec. 2, 2016**
(51) **LOC (11) Cl.** **09-06**
(52) **U.S. Cl.**
USPC **D8/356**
(58) **Field of Classification Search**
USPC D8/356, 354, 349; 206/233; 320/107; D32/14; D28/10, 39, 41
CPC B65H 57/16; E02D 5/803; B63B 21/045; B63B 59/02; B60D 1/18; B60P 1/103; B60P 7/0823; Y10T 24/3918; A62B 35/0081; H04R 1/1033; A44B 13/0029; H02G 3/045; A21C 9/08; H02J 7/0021; B08B 9/045

See application file for complete search history.

(56) **References Cited**

U.S. PATENT DOCUMENTS

D44,635 S * 9/1913 Fleischmann D11/158
1,511,954 A * 10/1924 Elliott A47G 29/14
248/311.2
2,455,715 A * 12/1948 Webster A45D 8/36
132/273
D332,802 S * 1/1993 Greenhut D19/77
D377,695 S * 1/1997 Puckett D28/38
D603,095 S * 10/2009 Petrucci D28/38

D635,297 S * 3/2011 Hsu D28/39
D654,140 S * 2/2012 Rubel D22/122
D668,130 S * 10/2012 Pawluk D8/356
D683,072 S * 5/2013 Clark D28/39
D698,658 S * 2/2014 Leask D9/435
D698,996 S * 2/2014 Krasniansky D28/41
D699,393 S * 2/2014 Hsu D28/41
D702,885 S * 4/2014 Petrucci D28/38
D707,116 S * 6/2014 Bergmann D8/395
D735,939 S * 8/2015 Petrucci D28/10
D736,463 S * 8/2015 Bentley D28/10
D755,609 S * 5/2016 Heirakuji D8/356
D762,341 S * 8/2016 Rogers D1/125
D775,420 S * 12/2016 Valentine D28/41
2008/0072923 A1 * 3/2008 Tropeano A45D 8/20
132/275
2008/0099036 A1 * 5/2008 Crowley A45D 2/02
132/275
2009/0229625 A1 * 9/2009 Shyu A45D 8/34
132/276

* cited by examiner

Primary Examiner — Cynthia Underwood
(74) *Attorney, Agent, or Firm* — Lerner, David, Littenberg, Krumholz & Mentlik, LLP

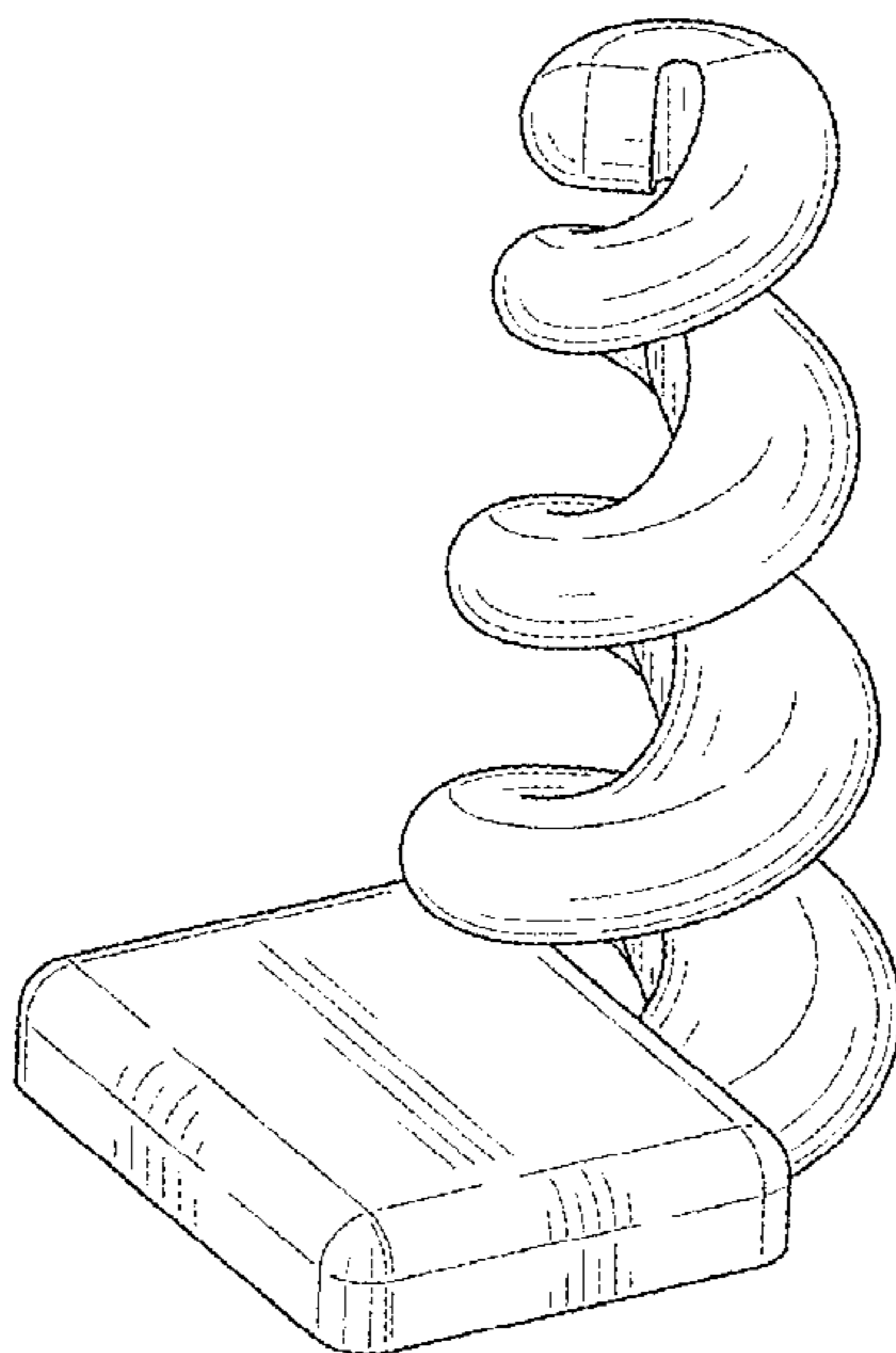
(57) **CLAIM**

The ornamental design for a pigtail strain relief device, as shown and described.

DESCRIPTION

FIG. 1 is a perspective view of a pigtail strain relief device according to my design;
FIG. 2 is a front view of the first embodiment;
FIG. 3 is a rear view of the first embodiment;
FIG. 4 is a left side view of the first embodiment;
FIG. 5 is a right side view of the first embodiment;
FIG. 6 is a top view of the first embodiment; and,
FIG. 7 is a bottom view of the first embodiment.

1 Claim, 5 Drawing Sheets



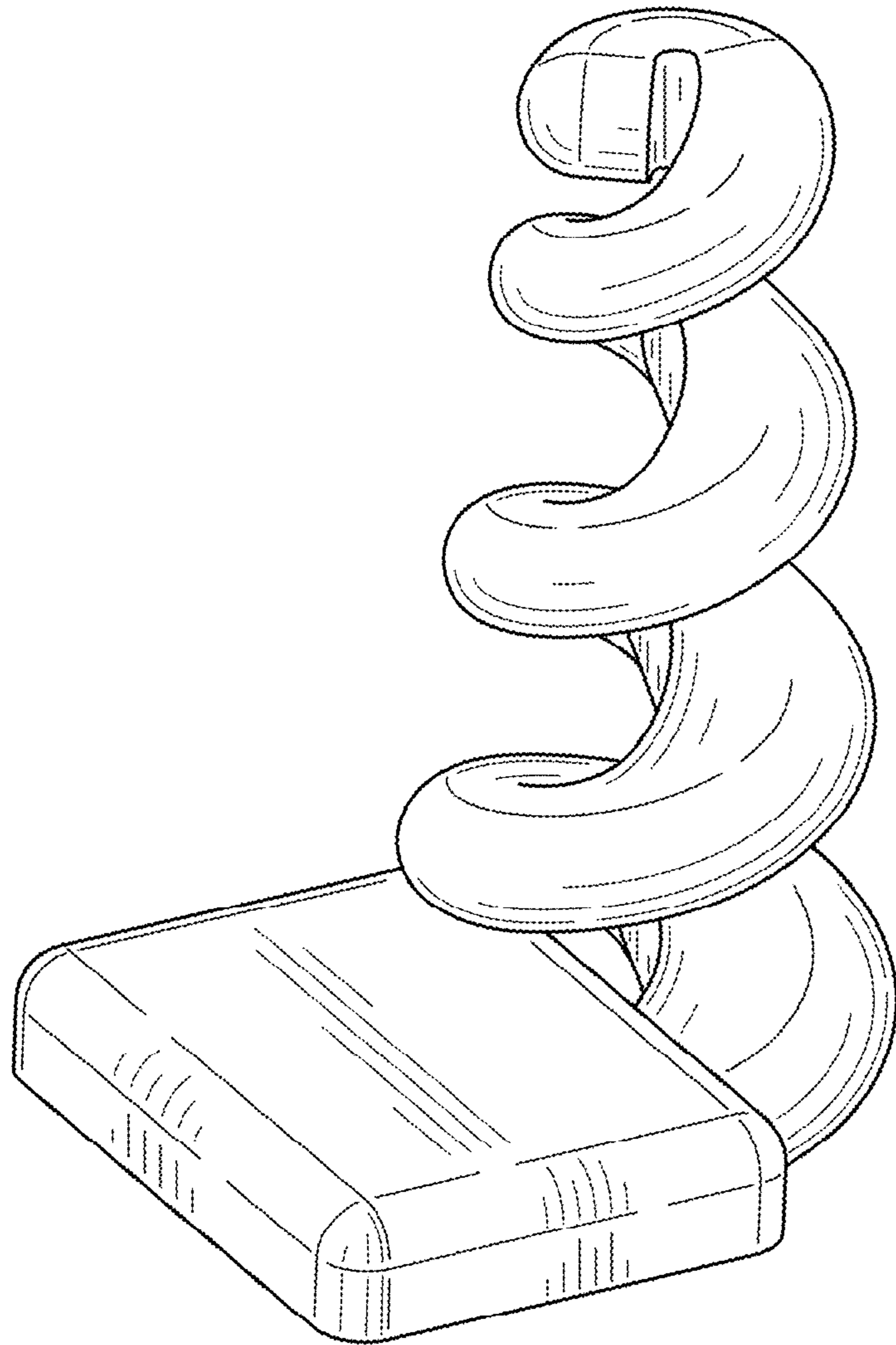


FIG. 1

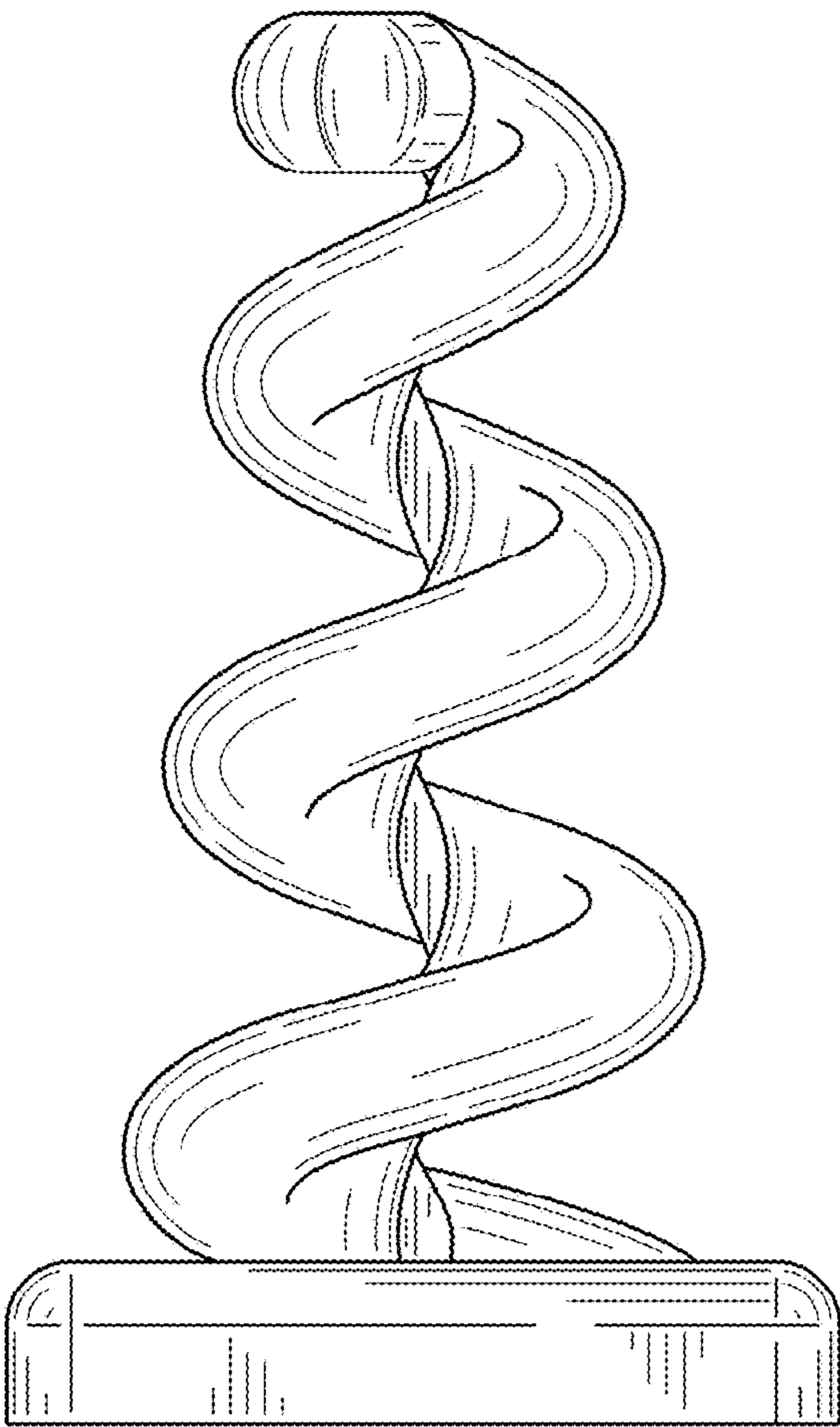


FIG. 2

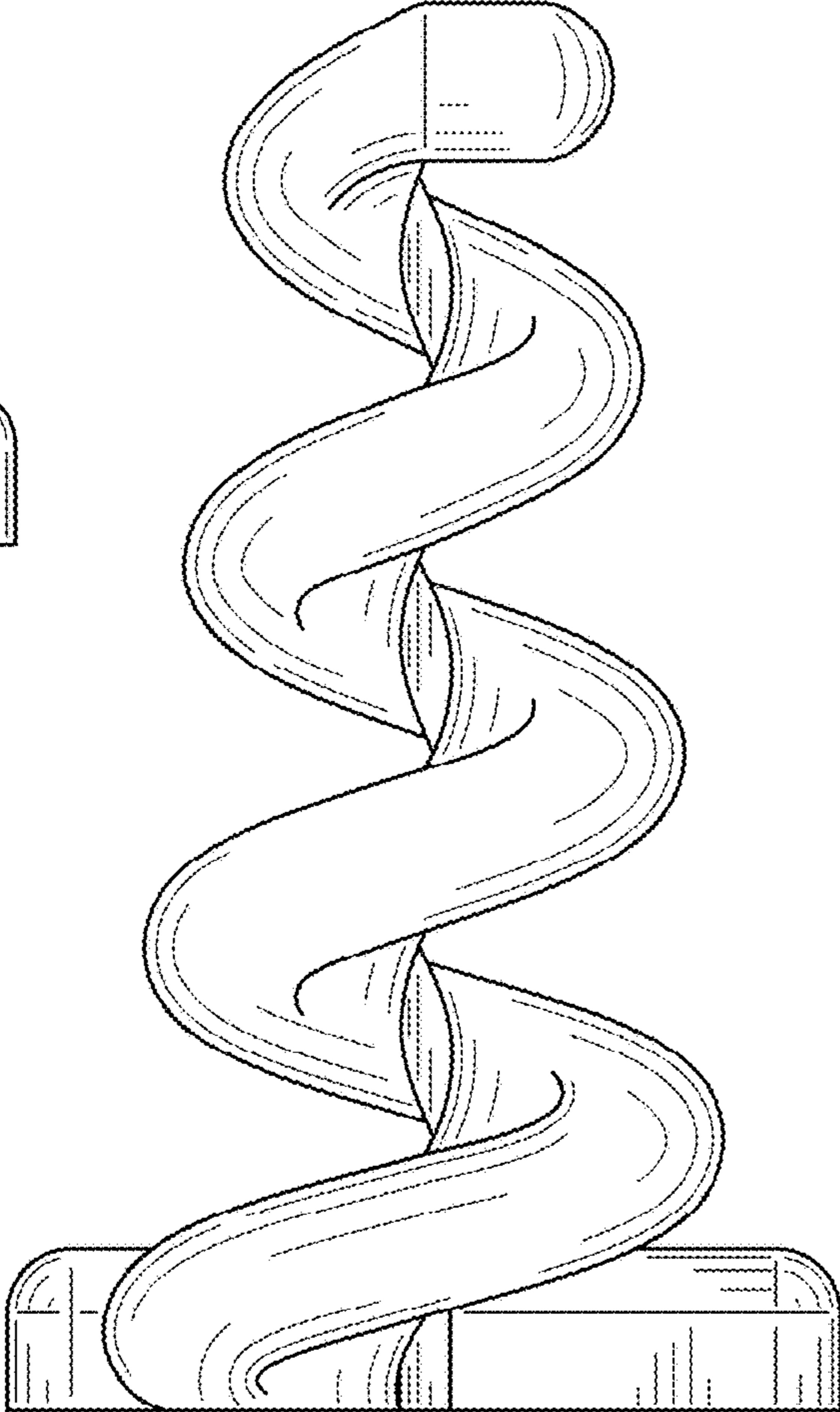


FIG. 3

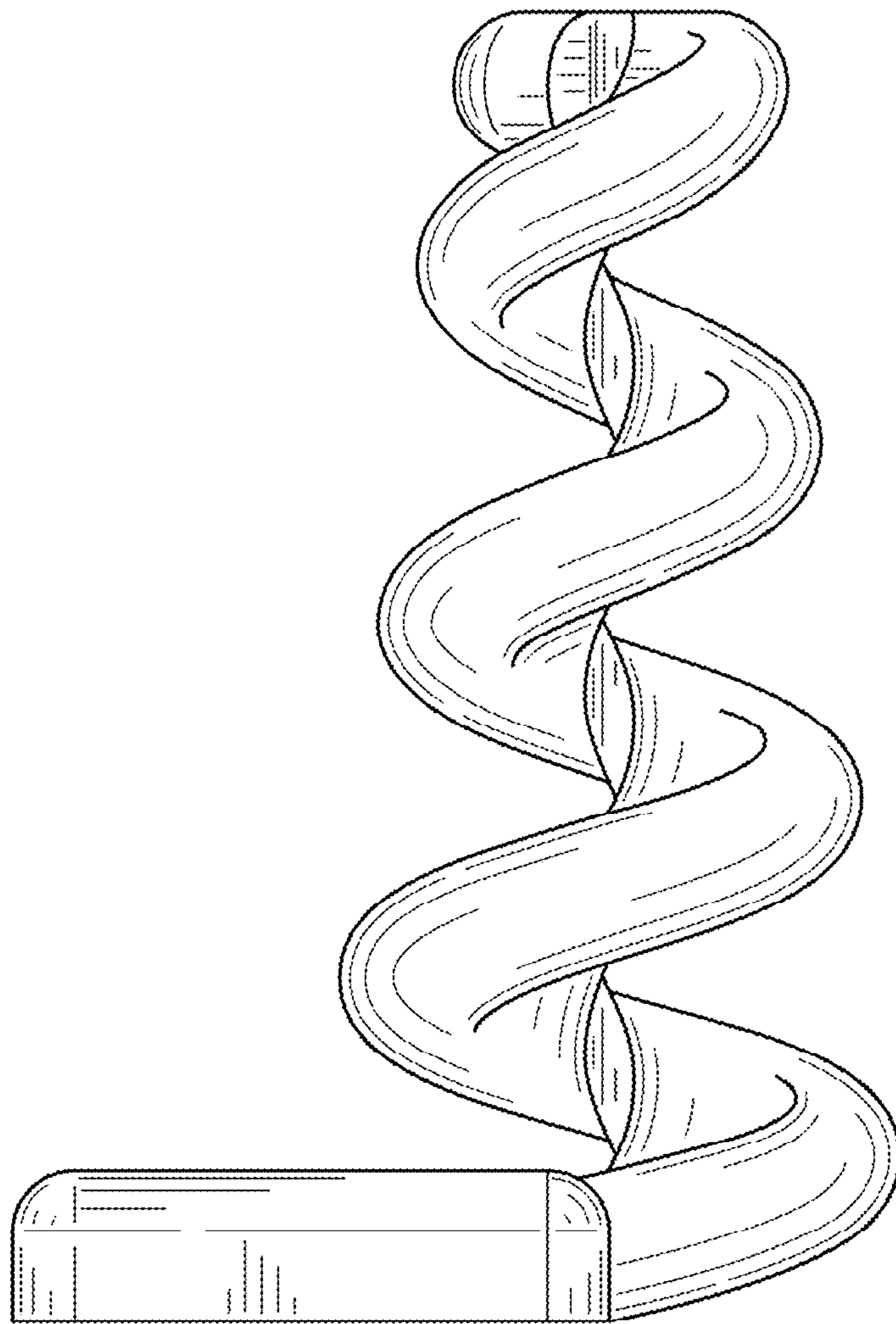


FIG. 4

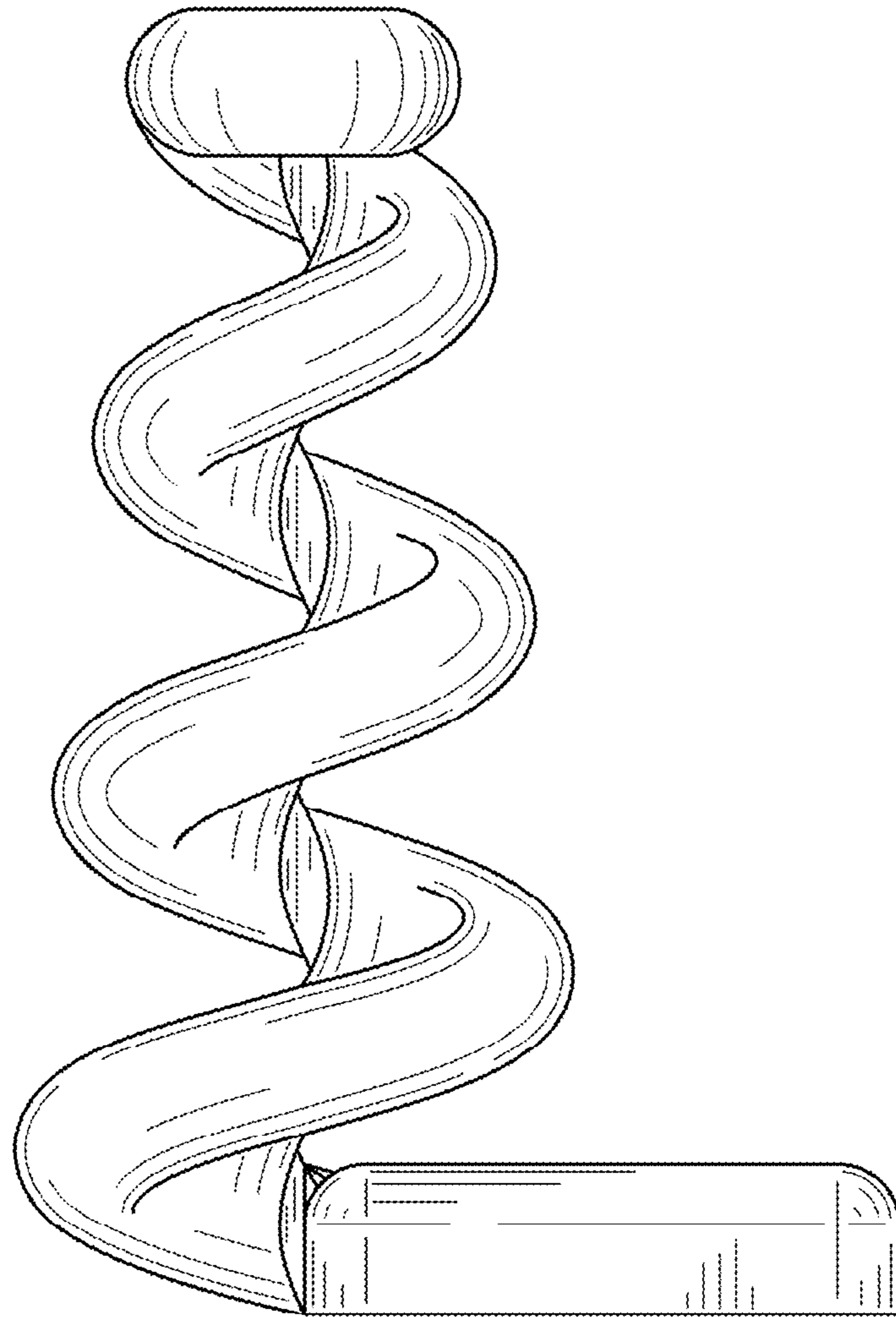


FIG. 5

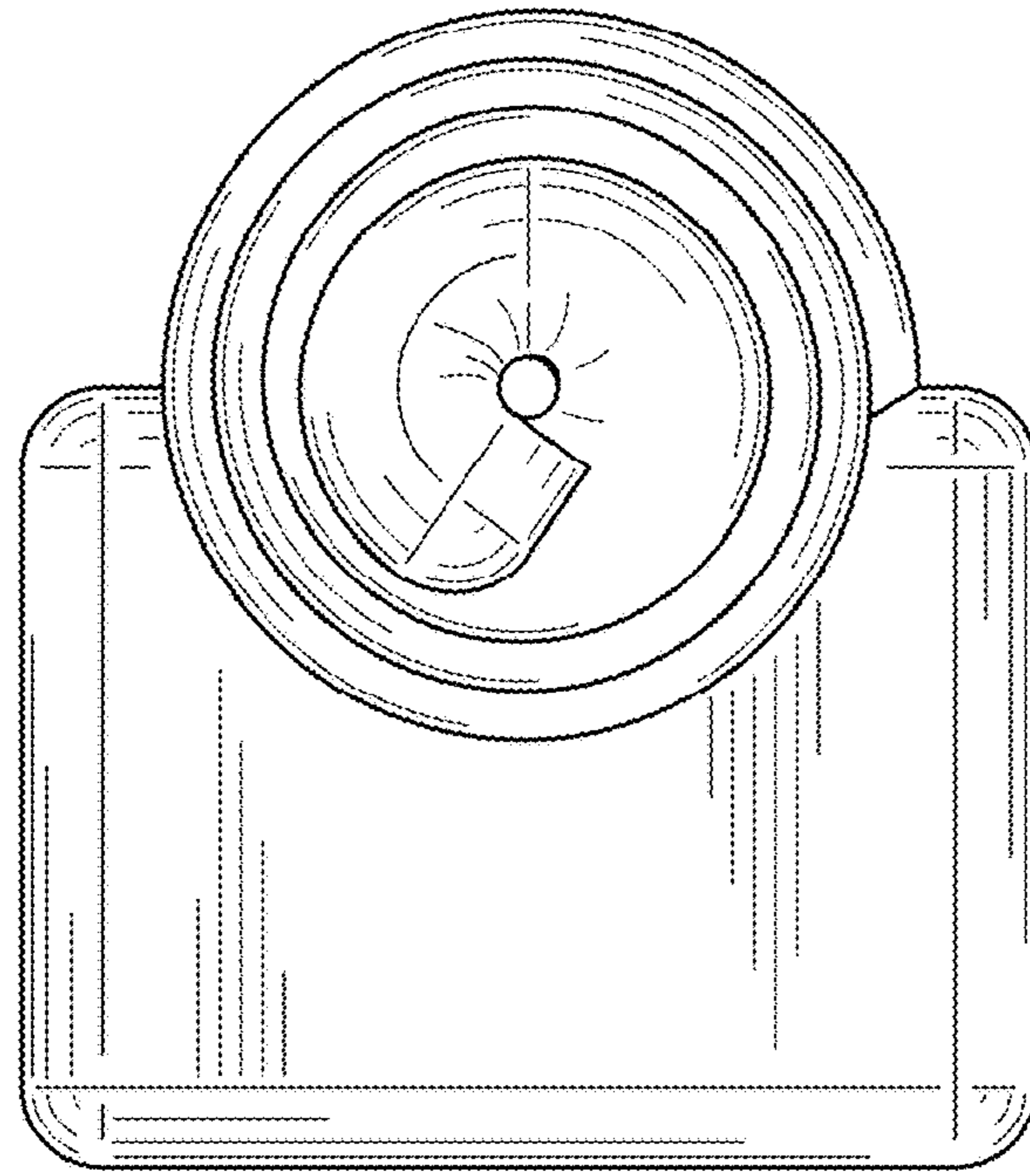


FIG. 6

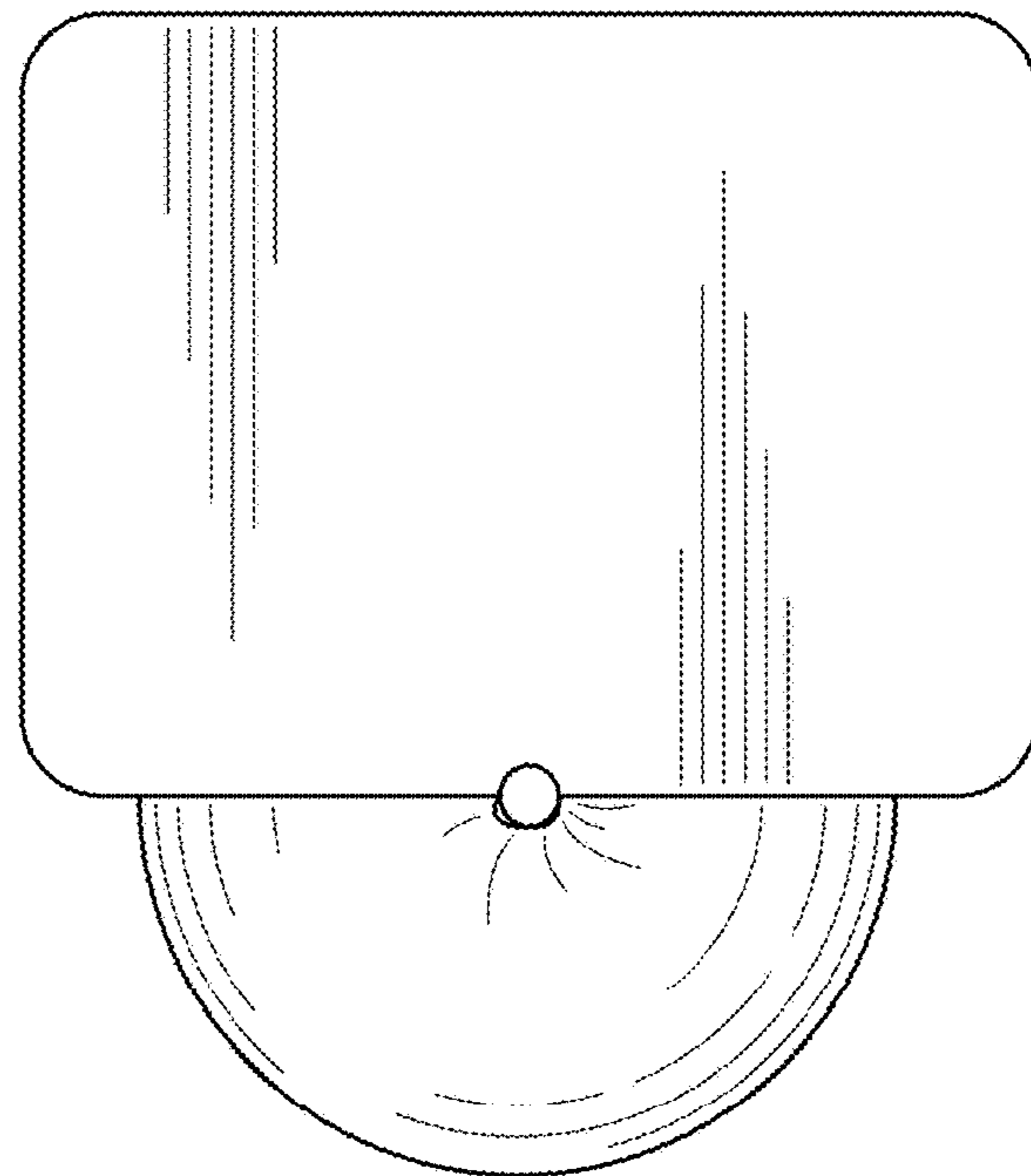


FIG. 7