



US00D809900S

(12) **United States Design Patent** (10) **Patent No.:** **US D809,900 S**
Richter (45) **Date of Patent:** **** *Feb. 13, 2018**

(54) **HOLDER SUPPORT WITH LEVER-ACTUATED SUCTION MEMBRANE**

(71) Applicant: **Harald Richter**, Engelbrand (DE)

(72) Inventor: **Harald Richter**, Engelbrand (DE)

(*) Notice: This patent is subject to a terminal disclaimer.

(**) Term: **15 Years**

(21) Appl. No.: **29/530,165**

(22) Filed: **Jun. 14, 2015**

(51) **LOC (11) Cl.** **08-05**

(52) **U.S. Cl.**
USPC **D8/355**

(58) **Field of Classification Search**
USPC ... D14/140, 217, 224, 224.1, 229, 240, 243, D14/250-253, 299, 344, 434, 447, D14/451-452, 483, 496; D13/108; 361/679.41; 439/534; 320/116, 107; D8/355, 363; D12/415, 418; D3/201, D3/218, 269, 273, 301; D11/79; 63/76
CPC F16B 47/00; F16M 13/00
See application file for complete search history.

(56) **References Cited**

U.S. PATENT DOCUMENTS

D554,136 S * 10/2007 Richter D14/251
D554,137 S * 10/2007 Richter D14/251
D602,024 S * 10/2009 Richter D14/253
D602,025 S * 10/2009 Richter D14/253

D613,731 S * 4/2010 Yeo D14/253
D681,028 S * 4/2013 Richter D14/253
D681,029 S * 4/2013 Richter D14/253
D715,132 S * 10/2014 McSweyn D8/363
D748,098 S * 1/2016 Khodapanah D14/447
2007/0120027 A1* 5/2007 Chang B60R 11/02
248/205.5

* cited by examiner

Primary Examiner — Lakiya G Rogers
Assistant Examiner — Harold E Blackwell, II
(74) *Attorney, Agent, or Firm* — Klaus J. Bach

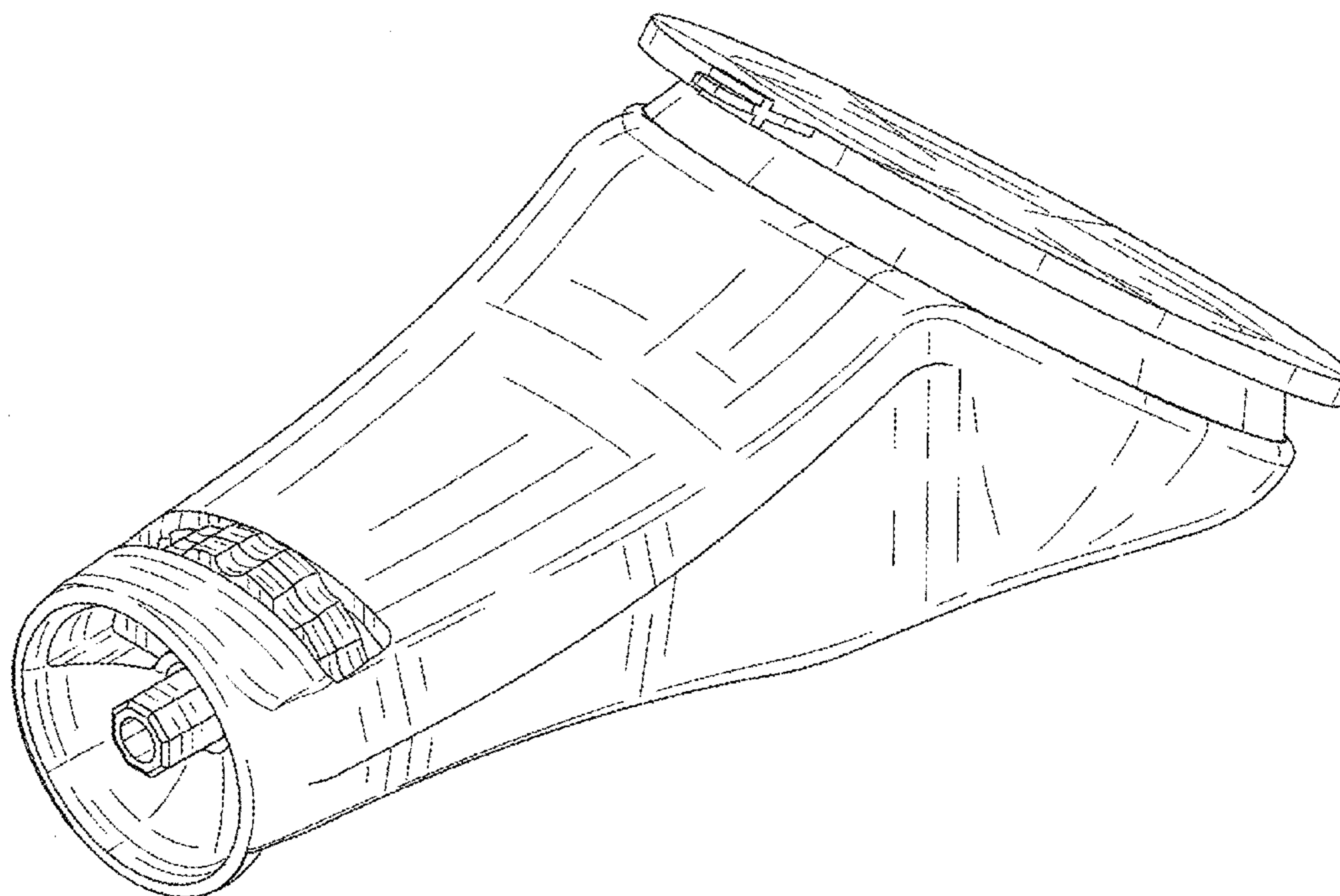
(57) **CLAIM**

The ornamental design for a holder support with lever-actuated suction membrane, as shown and described.

DESCRIPTION

FIG. 1 is a perspective view of a holder support with lever-actuated suction membrane;
FIG. 2 is a right side view of the holder support with lever-actuated suction membrane shown in FIG. 1,
FIG. 3 is a left side view of the holder support with lever-actuated suction membrane shown in FIG. 2,
FIG. 4 is a front view of the holder support with lever-actuated suction membrane shown in FIG. 1,
FIG. 5 is a rear view of the holder support with lever-actuated suction membrane shown in FIG. 1,
FIG. 6 is a top view of the holder support with lever-actuated suction membrane shown in FIG. 1; and,
FIG. 7 is a bottom view of the holder support with lever-actuated suction membrane shown in FIG. 1.

1 Claim, 7 Drawing Sheets



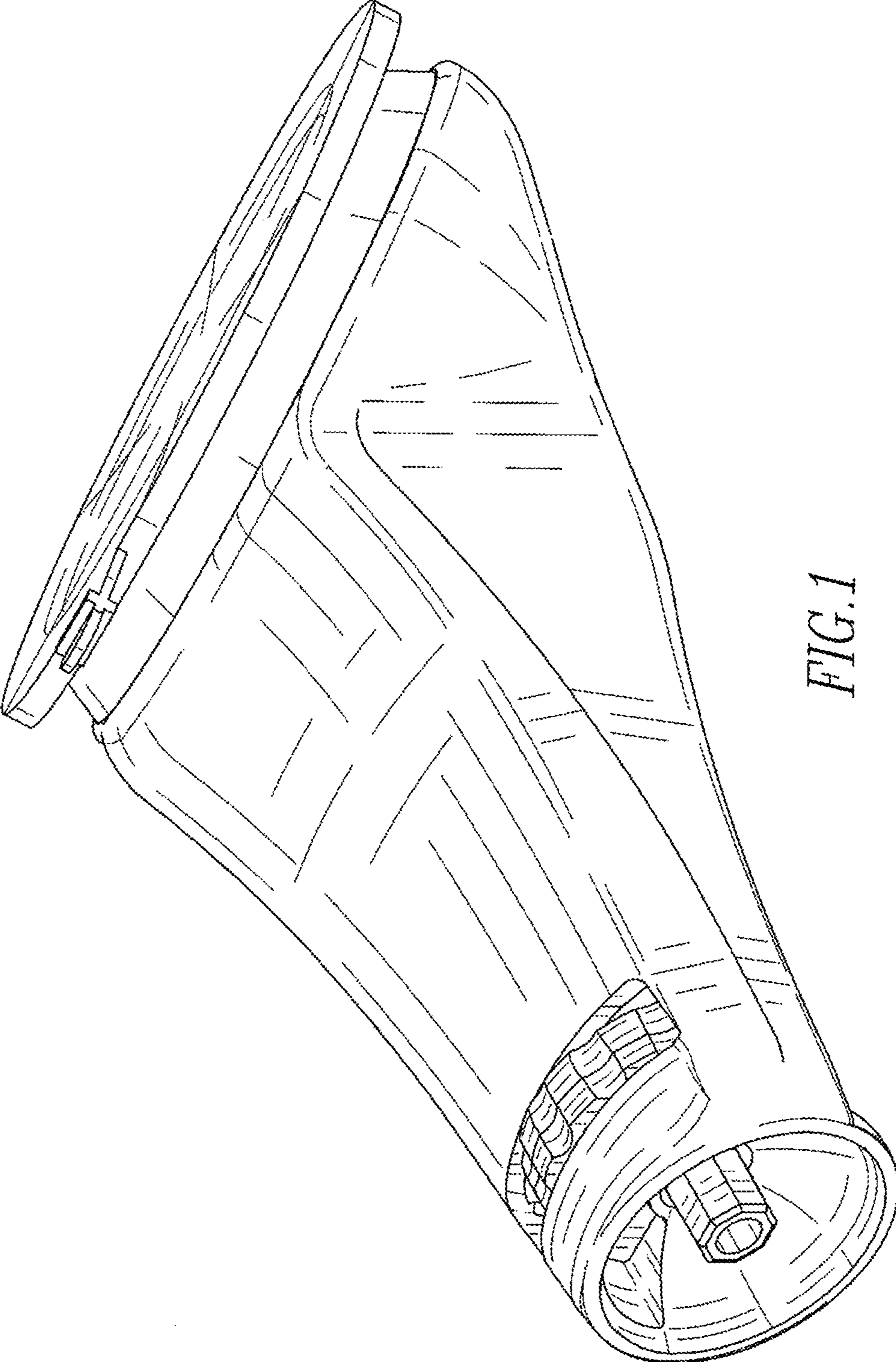


FIG. 1

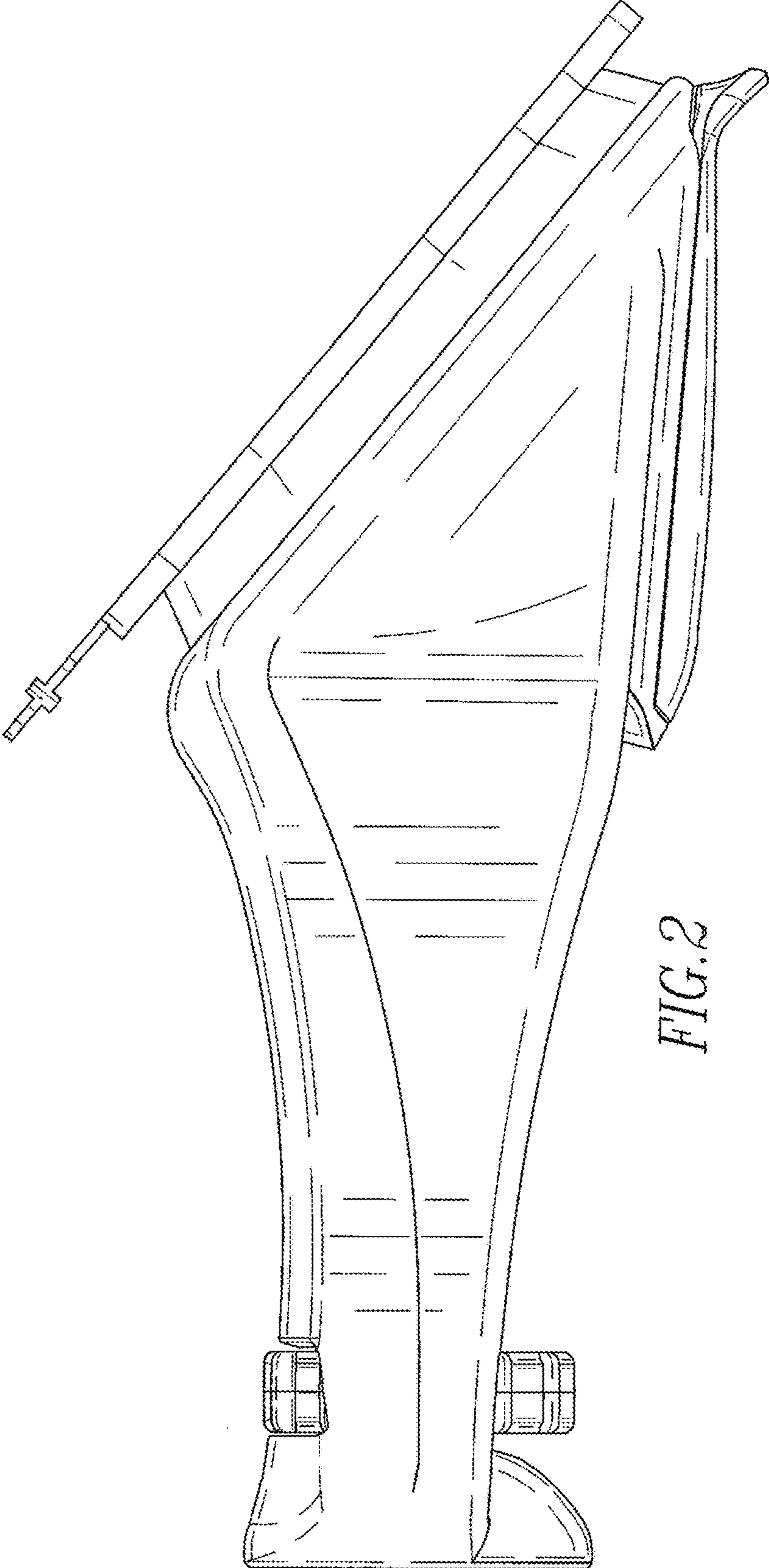


FIG. 2

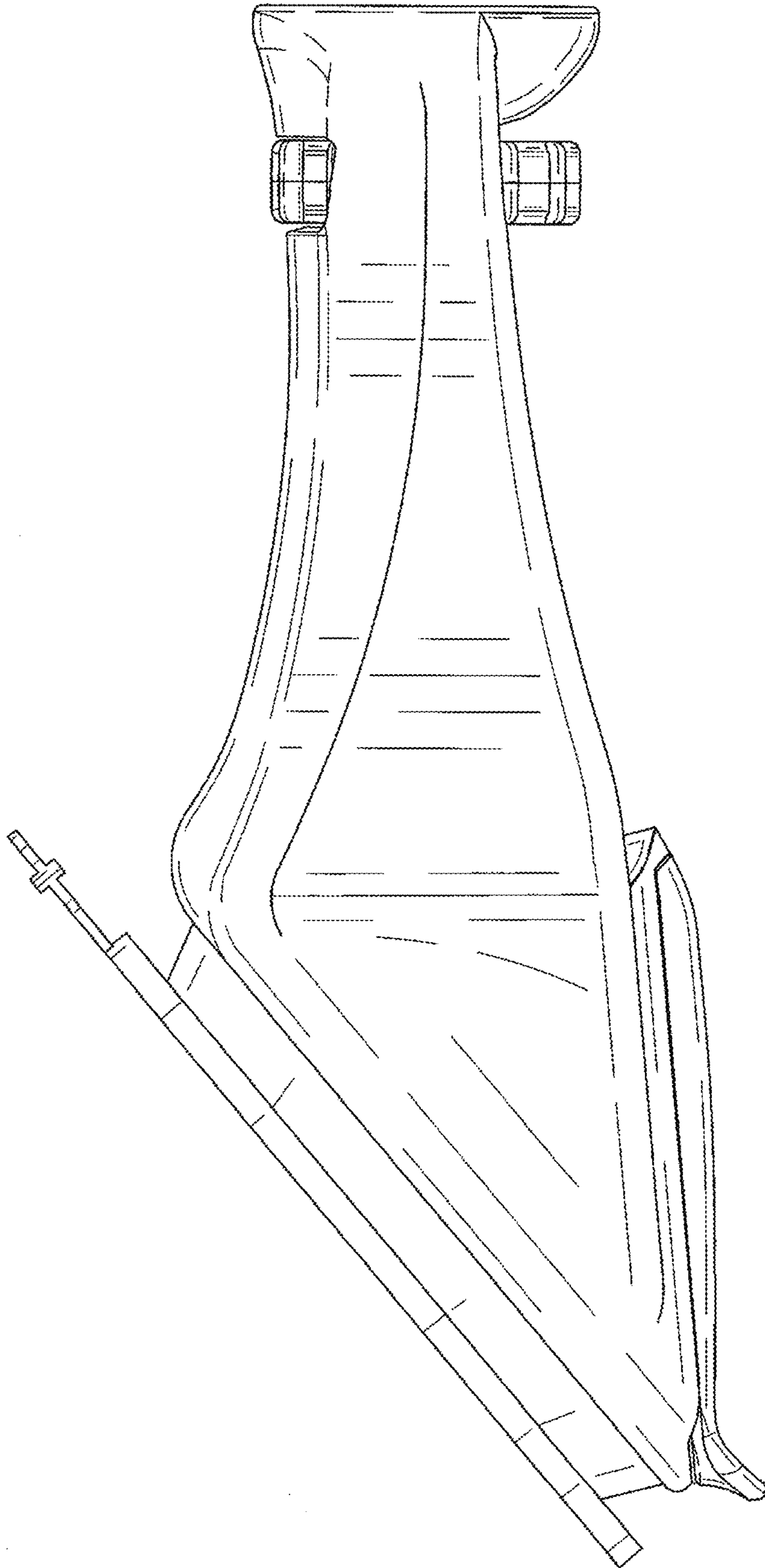


FIG. 3

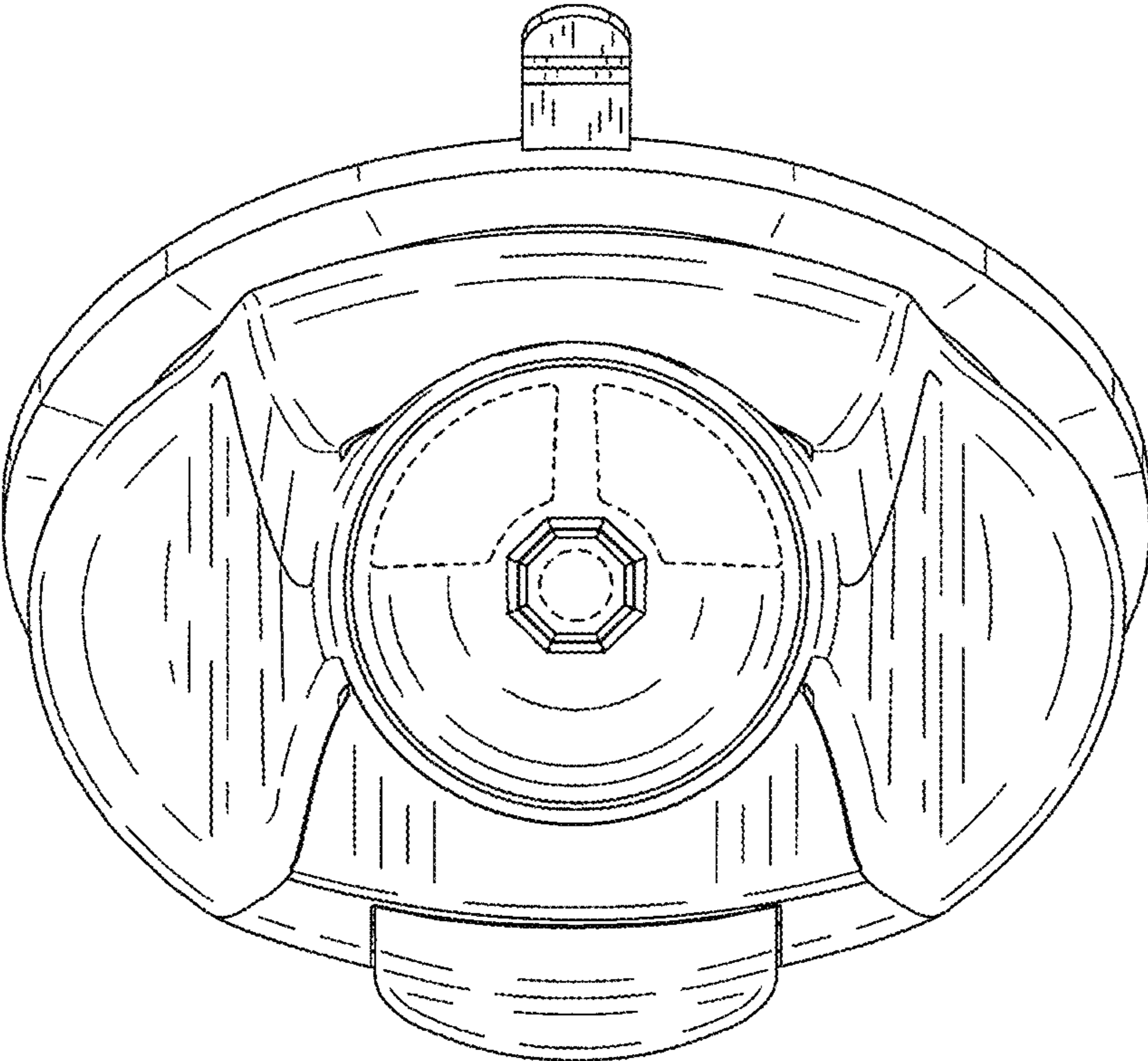


FIG. 4

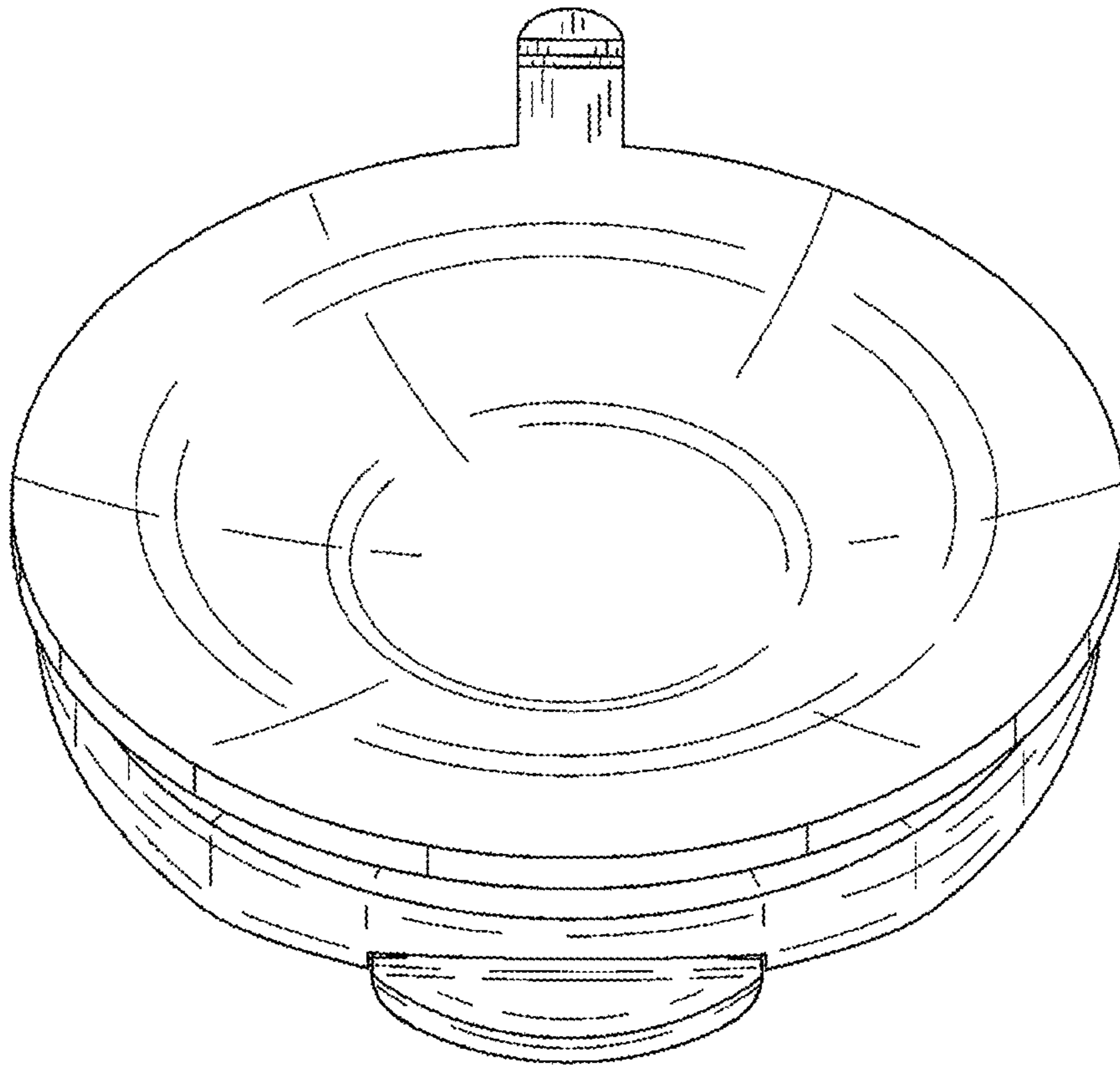


FIG. 5

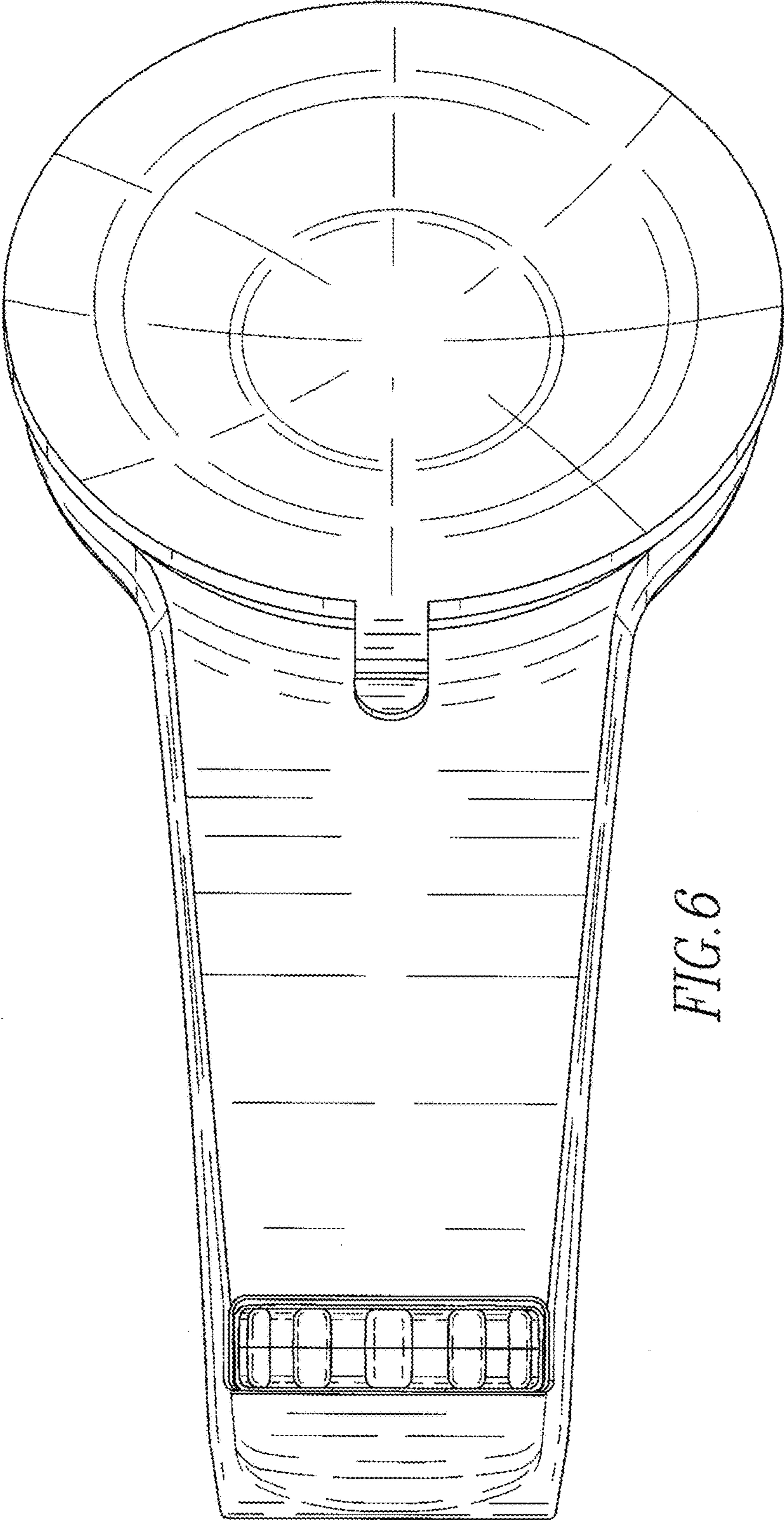


FIG. 6

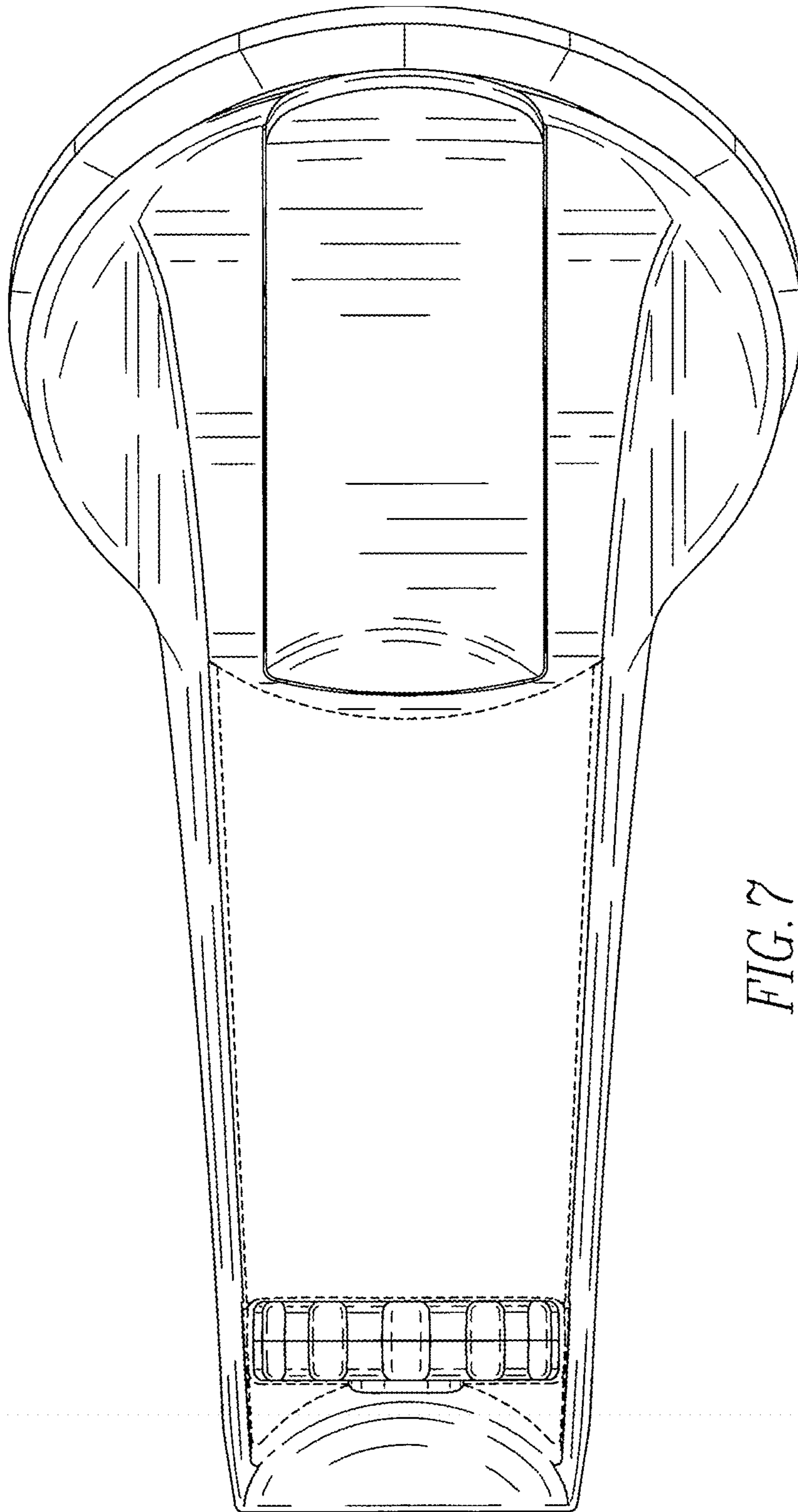


FIG. 7