



US00D809897S

(12) **United States Design Patent**  
**Marsden**

(10) **Patent No.:** **US D809,897 S**  
(45) **Date of Patent:** **\*\* Feb. 13, 2018**

- (54) **CABINET LOCK**
- (71) Applicant: **Elbee Pty Ltd.**, Bondi Junction (AU)
- (72) Inventor: **Andrew Marsden**, Hingham, MA (US)
- (73) Assignee: **Elbee Pty Ltd.**, Bondi Junction (AU)
- (\*\*) Term: **15 Years**
- (21) Appl. No.: **29/583,161**
- (22) Filed: **Nov. 2, 2016**
- (51) **LOC (11) Cl.** ..... **08-07**
- (52) **U.S. Cl.**  
USPC ..... **D8/331; D8/343**
- (58) **Field of Classification Search**  
USPC ..... D8/330, 331, 336, 339, 343, 349, 350,  
D8/354, 382, 400, 300, 301, 302; 70/14,  
70/51, 52, 57, 57.1, 67, 69, 78, 85, 86,  
70/88, 141, 262, 263, 431, 218, 221, 203;  
292/32, 358, 359, DIG. 68, DIG. 30, 137,  
292/106, 108, 336.3; 312/294, 333,  
312/334.1, 330.1, 351.1  
CPC ..... E05B 3/00; E05B 9/00; E05B 2009/004;  
E05B 47/00; E05B 55/00; E05B 15/00;  
E05C 7/00; E05C 19/08  
See application file for complete search history.

6,791,170	B1 *	9/2004	Fuku .....	H05K 7/1417 257/678
6,935,146	B1	8/2005	Lin	
7,500,701	B2 *	3/2009	Lalancette .....	F16B 5/0275 292/256
7,784,313	B2	8/2010	Wyers	
7,961,099	B2	6/2011	Rendon et al.	
7,980,201	B2 *	7/2011	Muelken .....	A01K 27/001 119/792
D686,054	S	7/2013	Rohde	
D715,131	S	10/2014	Song	
D720,203	S	12/2014	Plato	
D725,458	S	3/2015	Plato	
D766,068	S *	9/2016	Marsden .....	D8/331
D770,263	S	11/2016	Marsden	
D785,440	S *	5/2017	Marsden .....	D8/331

- (56) **References Cited**  
**U.S. PATENT DOCUMENTS**  
4,715,629 A 12/1987 Robinson  
5,088,158 A \* 2/1992 Burkholder ..... E05B 75/00  
128/879  
5,099,662 A 3/1992 Tsai  
D344,441 S \* 2/1994 Mahaney ..... D8/333  
5,332,251 A 7/1994 Farquhar  
5,517,835 A \* 5/1996 Smith ..... E05B 73/0005  
70/14  
5,794,461 A 8/1998 Smith  
5,823,027 A \* 10/1998 Glick ..... E05B 47/00  
70/263

**OTHER PUBLICATIONS**

U.S. Appl. No. 29/581,564, filed Oct. 20, 2016, Marsden.

\* cited by examiner

*Primary Examiner* — Prabhakar G Deshmukh  
(74) *Attorney, Agent, or Firm* — Wolf, Greenfield & Sacks, P.C.

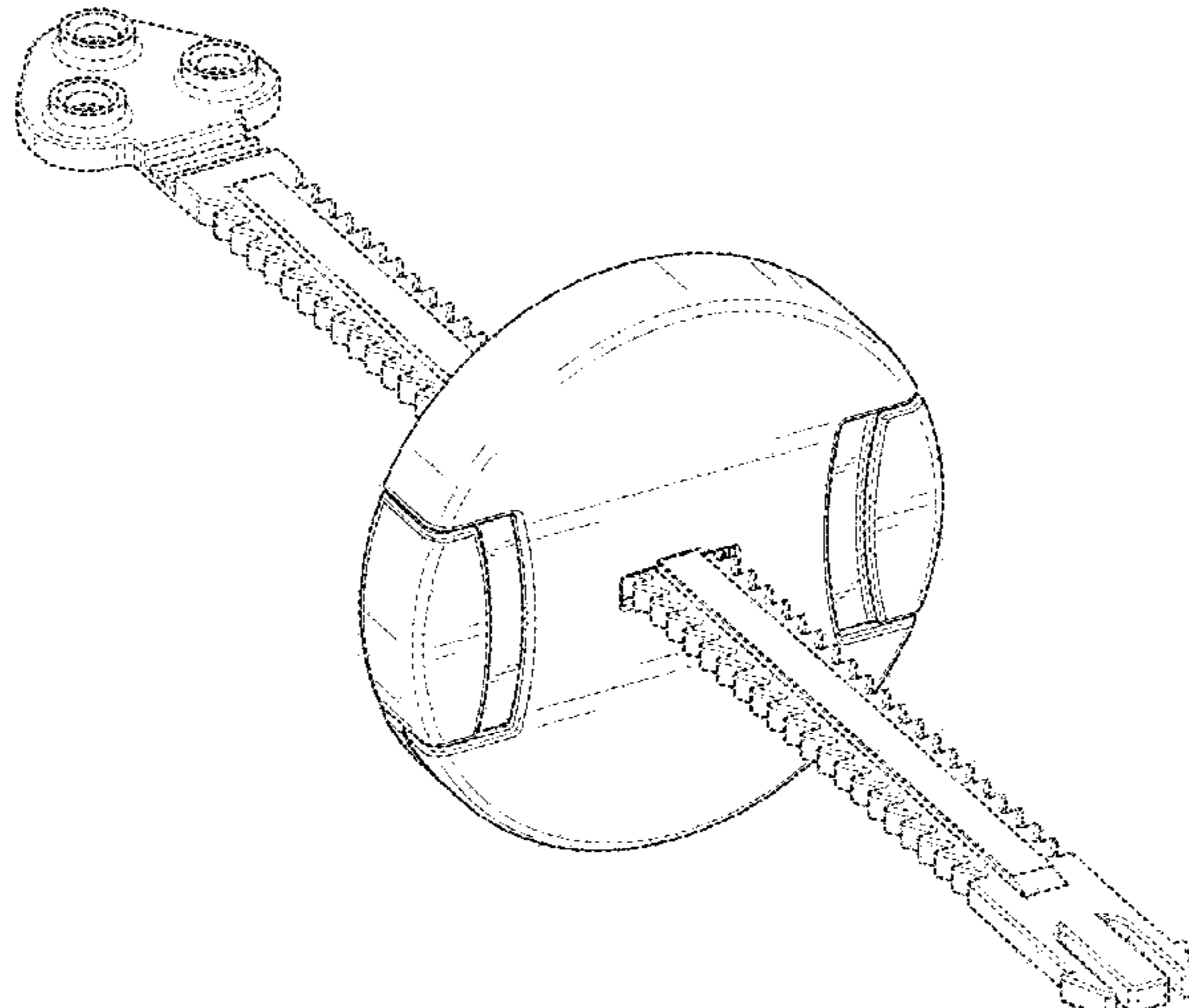
(57) **CLAIM**

The ornamental design for a cabinet lock, as shown and described.

**DESCRIPTION**

FIG. 1 is a top, front, left side perspective view of a cabinet lock showing our new design;  
FIG. 2 is a front elevation view thereof;  
FIG. 3 is a rear elevation view thereof;  
FIG. 4 is a left side elevation view thereof;  
FIG. 5 is a right side elevation view thereof;  
FIG. 6 is a top plan view thereof; and,  
FIG. 7 is a bottom plan view thereof.  
The broken lines illustrate unclaimed portions and form no part of the claimed design.

**1 Claim, 7 Drawing Sheets**



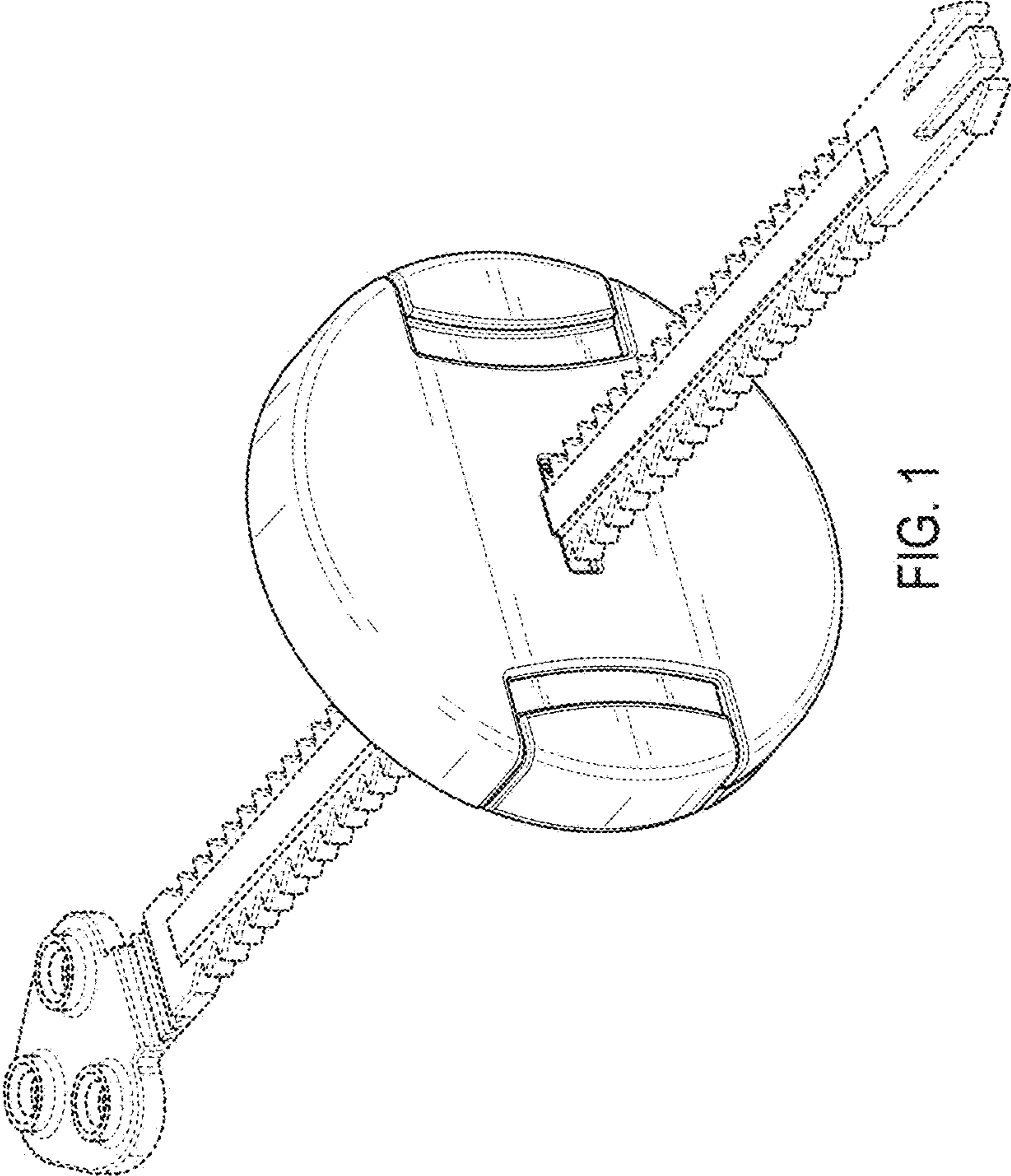


FIG. 1

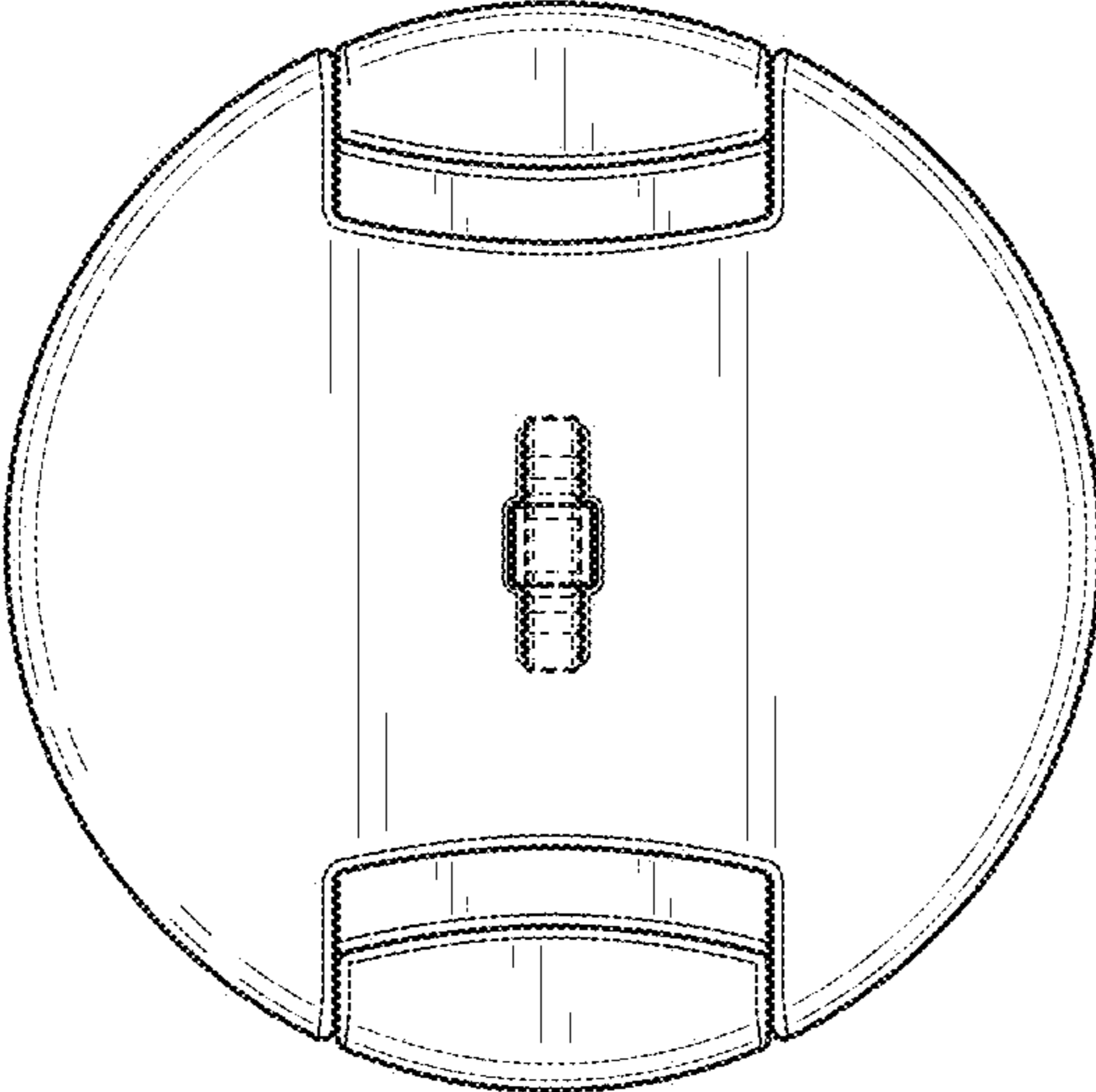


FIG. 2

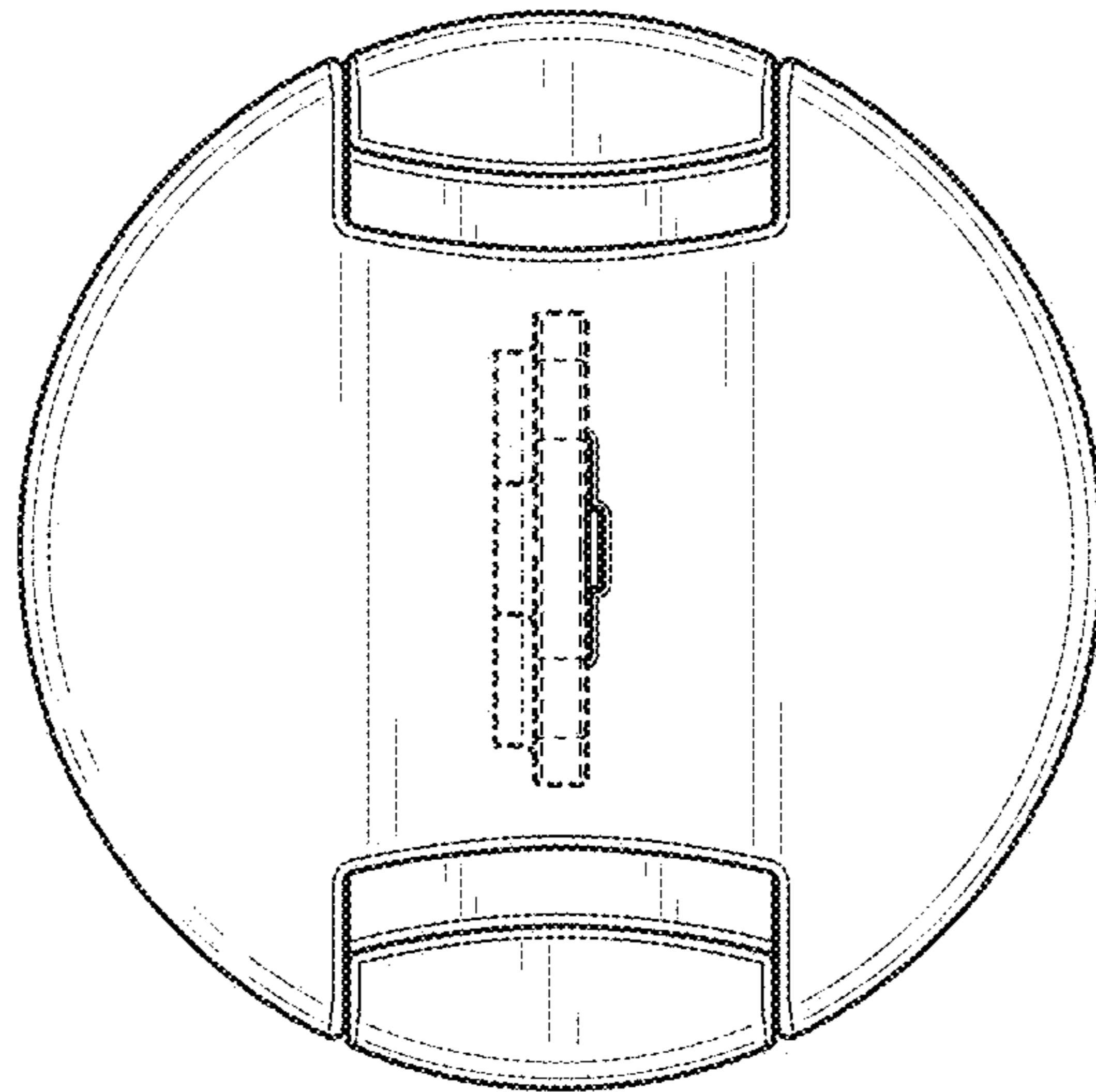


FIG. 3

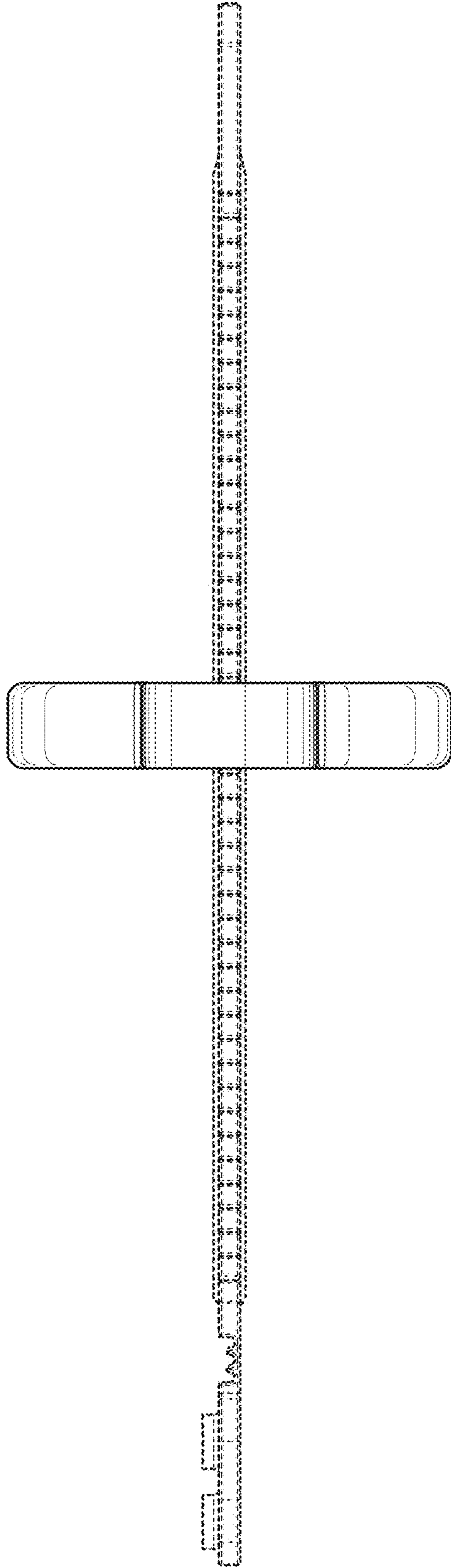


FIG. 4

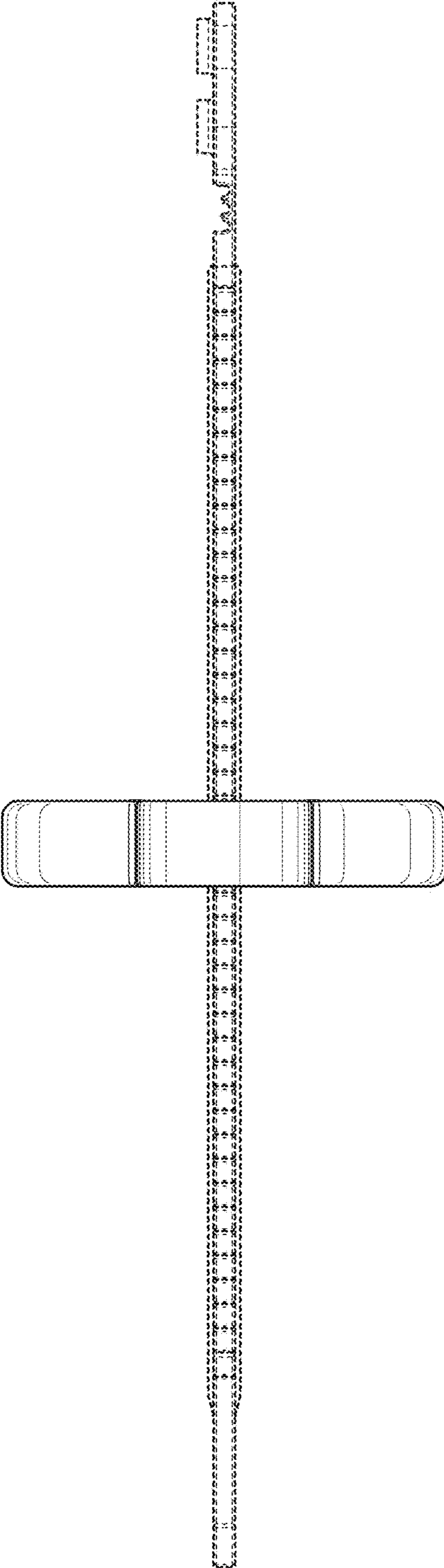


FIG. 5

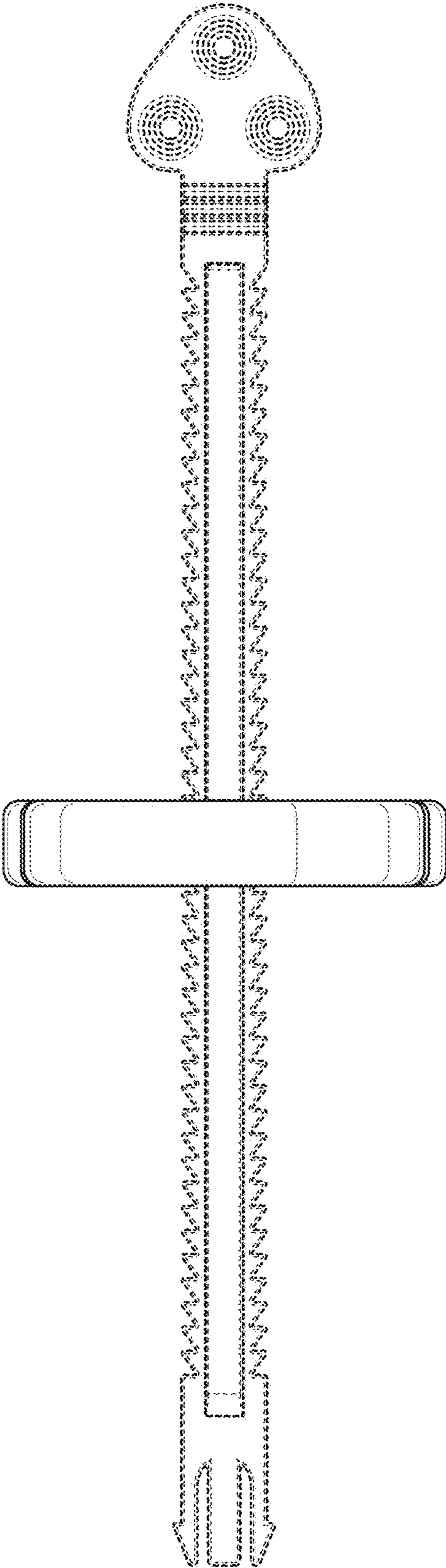


FIG. 6

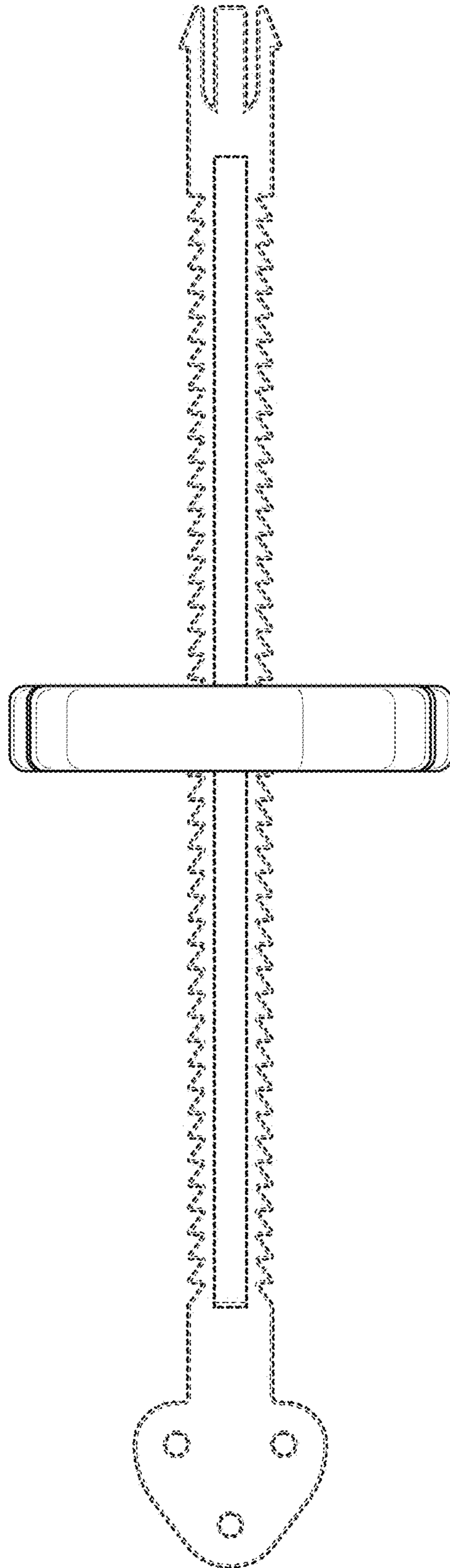


FIG. 7