



US00D809895S

(12) **United States Design Patent** (10) **Patent No.:** **US D809,895 S**
Frantz (45) **Date of Patent:** **** Feb. 13, 2018**

(54) **UNIVERSAL ELECTRONICS LOCK** 5,144,821 A * 9/1992 Ernesti E05B 67/006
292/DIG. 69
(71) Applicant: **Donald R. Frantz**, New Berlin, WI D360,910 S * 8/1995 Frederiksen D21/488
(US) D376,568 S * 12/1996 Davidson D12/126
5,649,437 A * 7/1997 Royka, Jr. E03B 9/06
137/382
(72) Inventor: **Donald R. Frantz**, New Berlin, WI 5,664,445 A 9/1997 Chang
(US) 6,494,658 B1 * 12/2002 Roy F16B 33/008
411/372.5
(**) Term: **15 Years** 6,532,780 B1 3/2003 Frantz
6,719,511 B2 4/2004 Notaro et al.
(21) Appl. No.: **29/614,933** D565,387 S * 4/2008 Remark D8/330
D569,226 S * 5/2008 Brewster D8/346
(22) Filed: **Aug. 24, 2017** (Continued)

Related U.S. Application Data

(63) Continuation of application No. 12/670,279, filed on Jan. 22, 2010.
(51) **LOC (11) Cl.** **08-07**
(52) **U.S. Cl.**
USPC **D8/330; D8/343; D8/346**
(58) **Field of Classification Search**
USPC D8/330, 331, 333, 317, 335, 336, 337, D8/338, 341, 342, 348, 350, 352; 70/14, 70/20, 21-24, 27, 32, 39, 41, 52-56, 86, 70/423, 57, DIG. 38, DIG. 39, 175-179, 70/182-184, 58, 229, 230, 232, DIG. 57; 285/86, 92, 328, 330, 331; D9/519, 549, D9/558, 688-680, 690, 693, 772; 220/4.27, 8
CPC E05B 67/36; E05B 65/48; E05B 17/18; E05B 63/00; E05B 65/00; F16L 19/00; F16L 25/00; F16L 35/00; F16L 37/10
See application file for complete search history.

(56) **References Cited**

U.S. PATENT DOCUMENTS

2,043,872 A * 6/1936 Wise F16B 41/005
70/232
4,784,555 A * 11/1988 Cantrell F16B 37/14
403/372
4,884,422 A 12/1989 Wolter

OTHER PUBLICATIONS

Trailer Coupler Lock product image. Reese Products. 2017 (retrieved on Jul. 31, 2017) Retrieved from the internet URL: <http://www.reeseprod.com/products/trailer-accessories/coupler-locks/trailer-coupler-lock/WV5KcOu1jGVYPeJBYBL675Wv25xGTpSpHHNuNorh5ZI=>.
(Continued)

Primary Examiner — Prabhakar G Deshmukh
(74) *Attorney, Agent, or Firm* — Joseph S. Heino; James E. Lowe

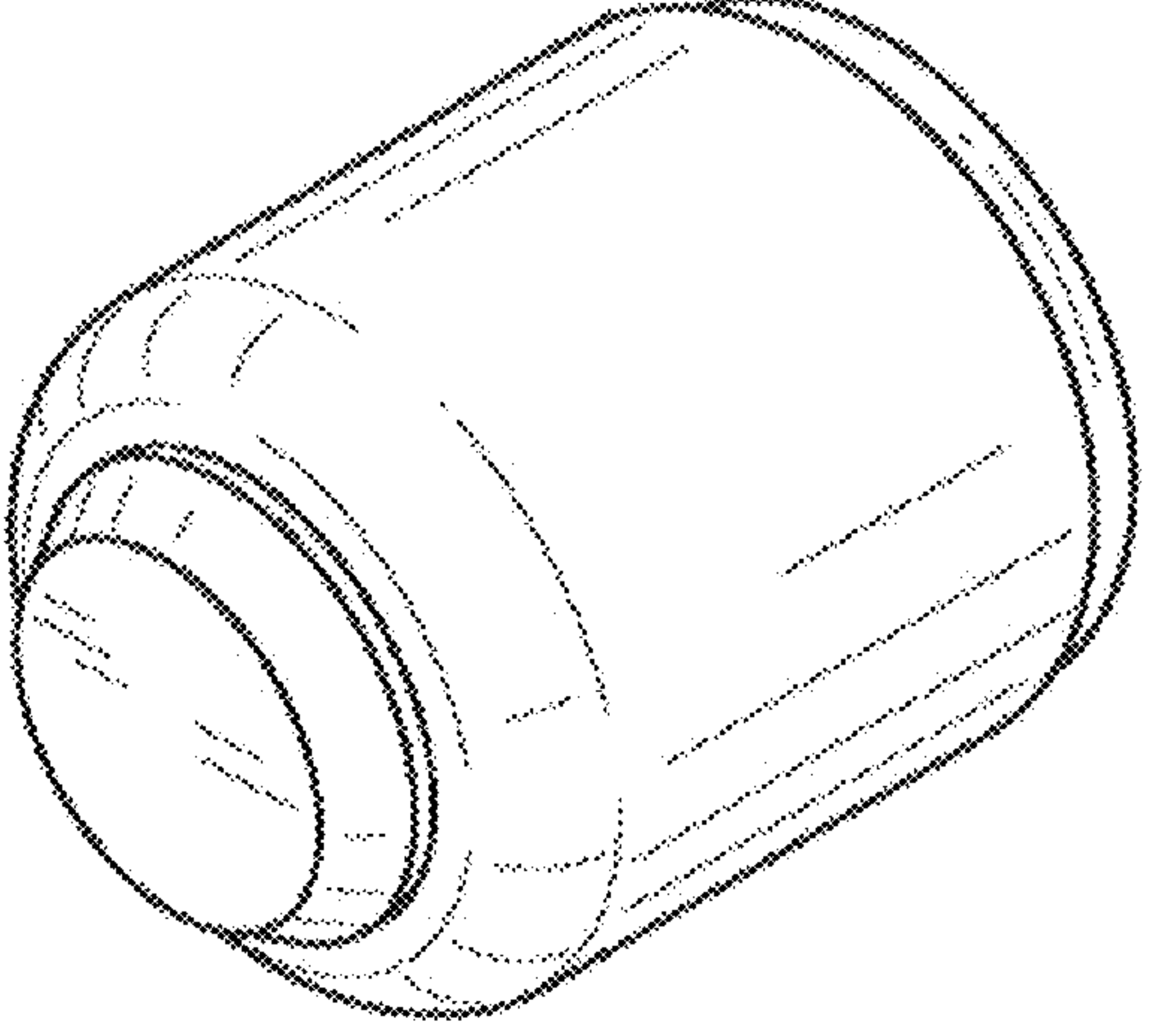
(57) **CLAIM**

The ornamental design for a universal electronics lock, as shown and described.

DESCRIPTION

FIG. 1 is a front, top and right side perspective view of the universal electronics lock showing my new design; FIG. 2 is a right side elevation view thereof, the left side elevational view being a mirror image of the right side elevation view; FIG. 3 is a top plan view thereof, the bottom plan view being a mirror image of the top plan view; FIG. 4 is a front elevation view thereof; and, FIG. 5 is a rear elevation view thereof.

1 Claim, 2 Drawing Sheets



(56)

References Cited

U.S. PATENT DOCUMENTS

7,409,843 B1 8/2008 Rinehart
7,930,914 B1 * 4/2011 Taylor E05B 67/383
70/14
8,276,415 B2 * 10/2012 Trempala E05B 47/063
340/5.7
D769,696 S * 10/2016 Davis D8/330
D793,840 S * 8/2017 Richardson D8/330
2011/0036129 A1 2/2011 Frantz

OTHER PUBLICATIONS

Towing Receiver Lock product image Walmart 2017 (retrieved on Jul. 31, 2017). Retrieved from the internet: <URL: <https://www.walmart.com/ip/Reese-Towpower-Elite-Towing-Receiver-Lock-Black-Nickel/16860808?wmlspartner=wlp&selectedSellerId=0>>.

* cited by examiner

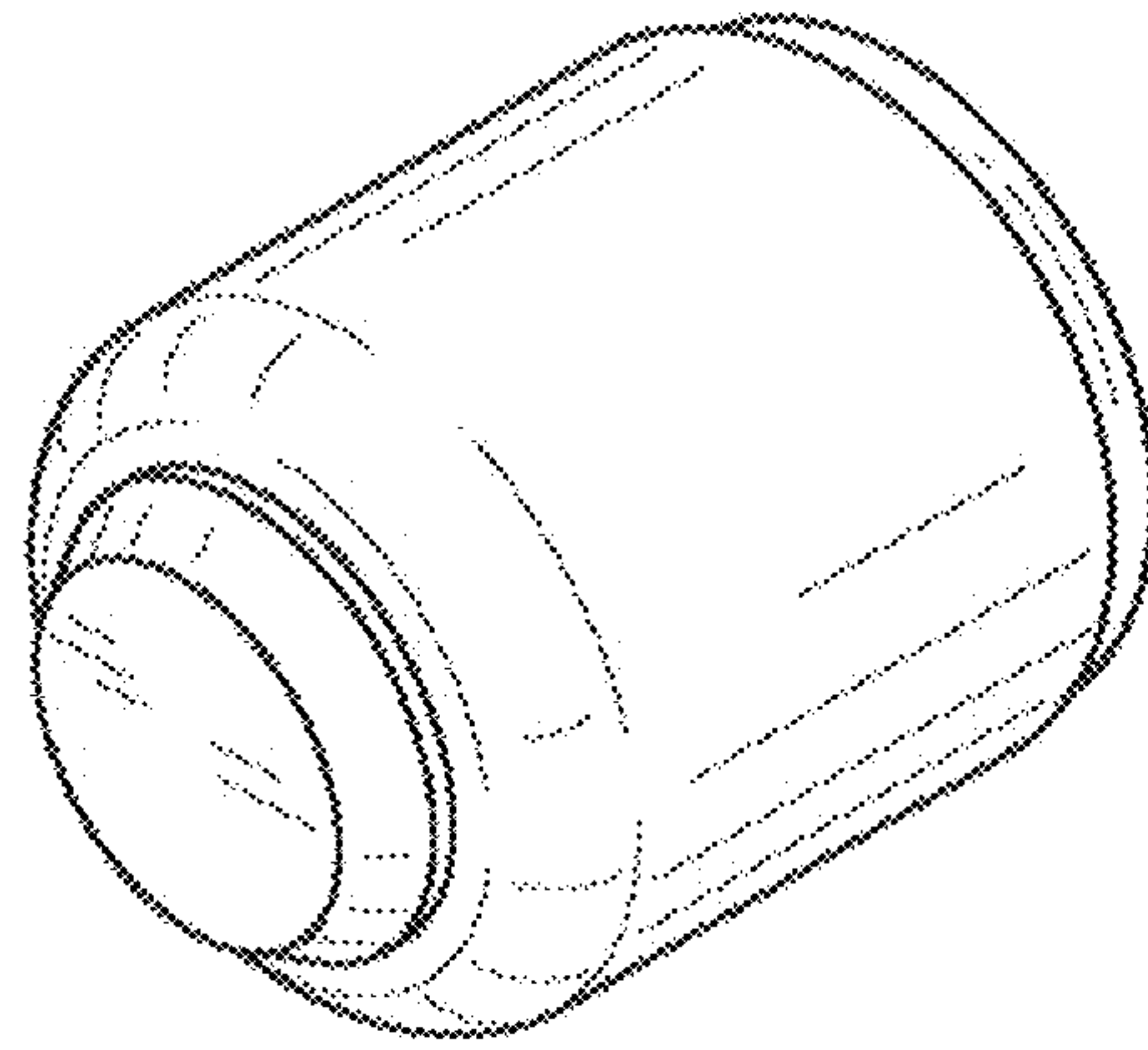


FIG. 1

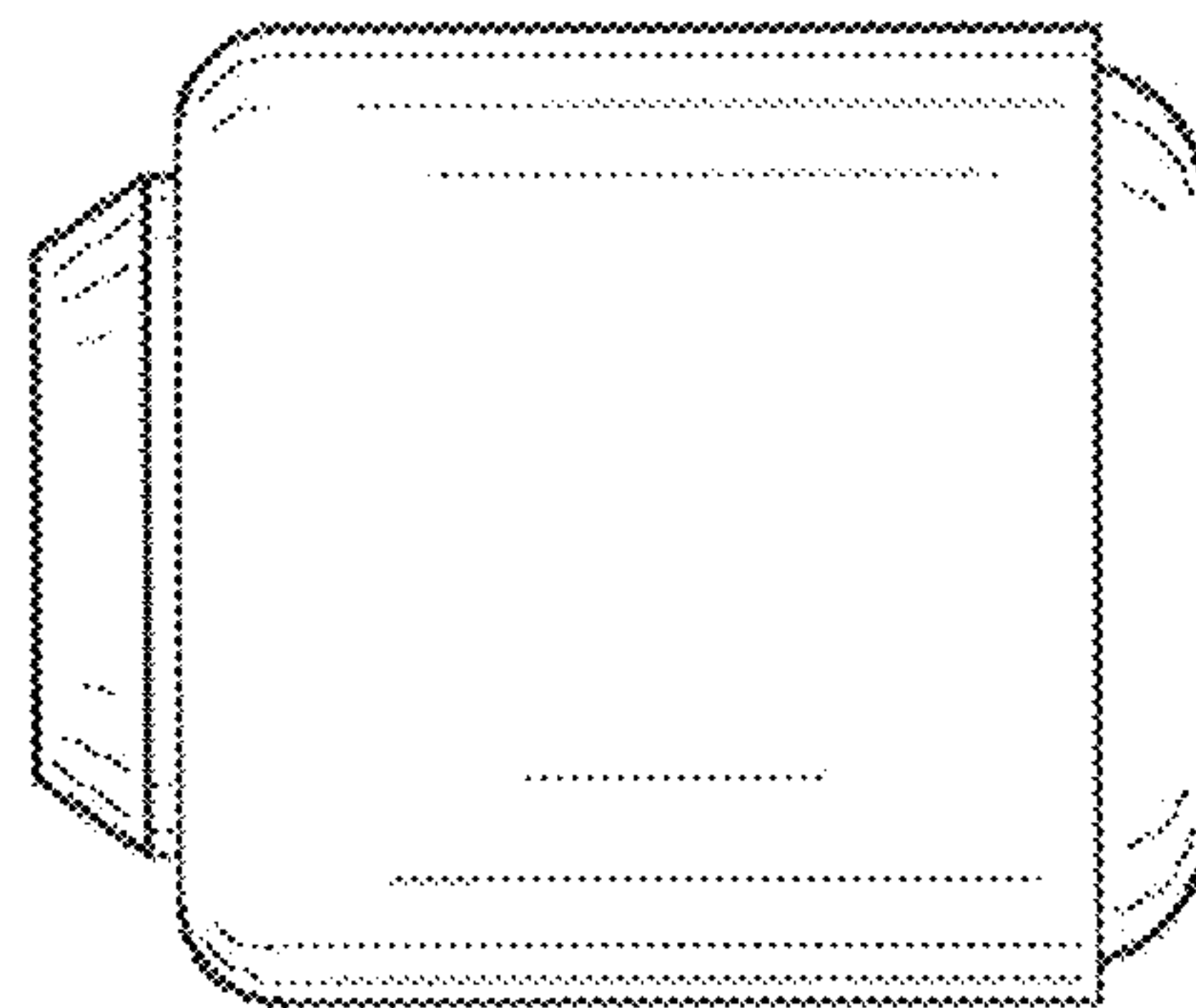


FIG. 2

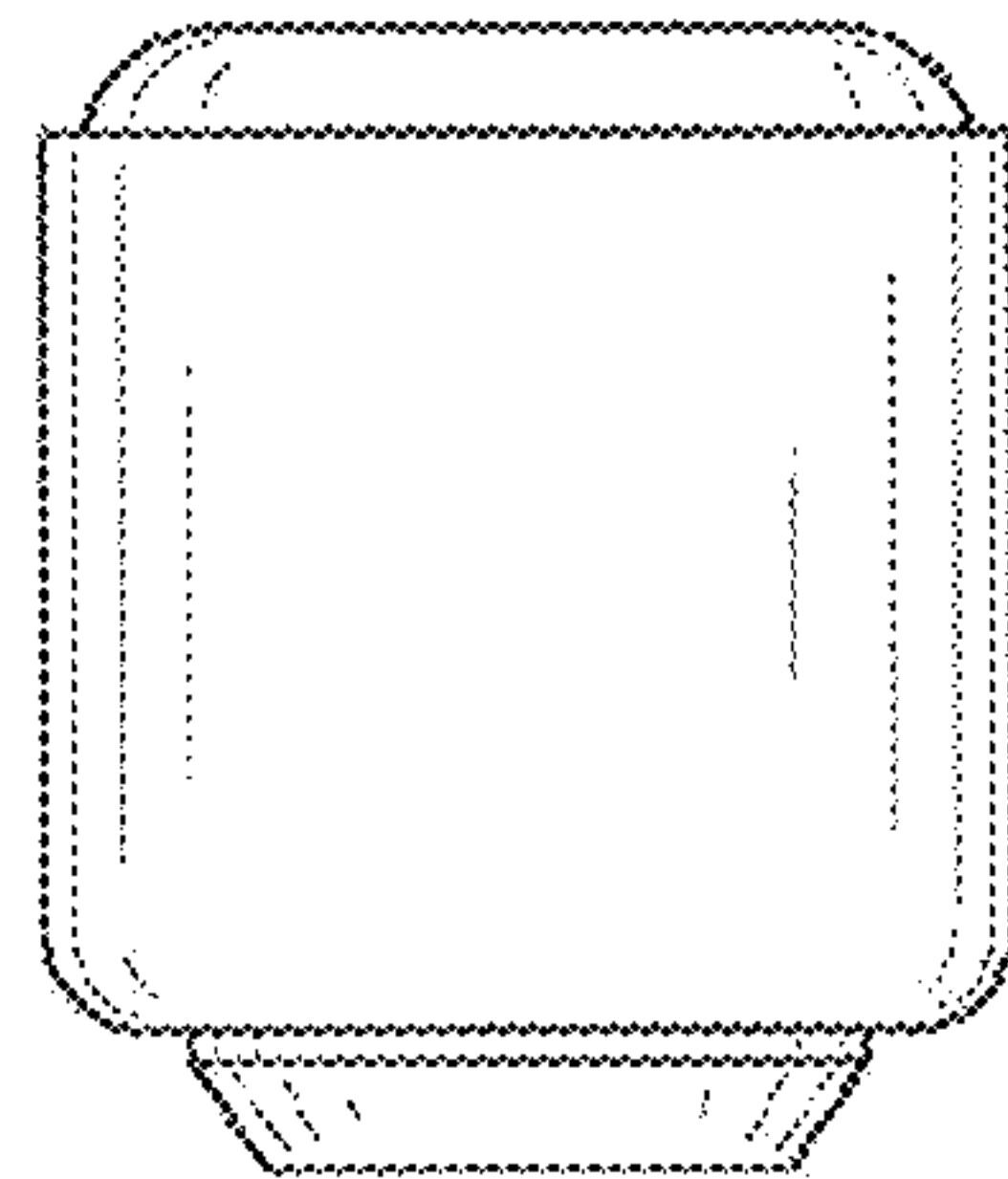


FIG. 3

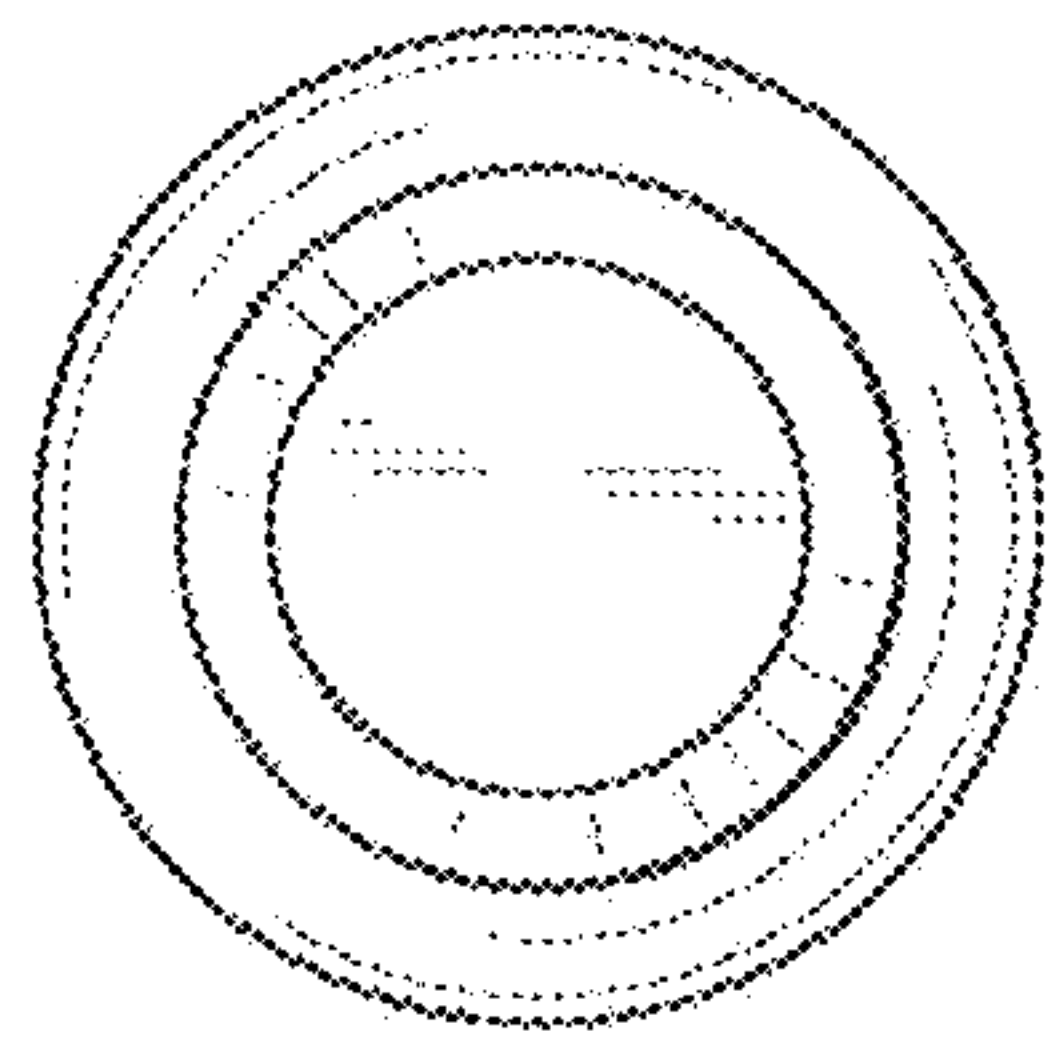


FIG. 4

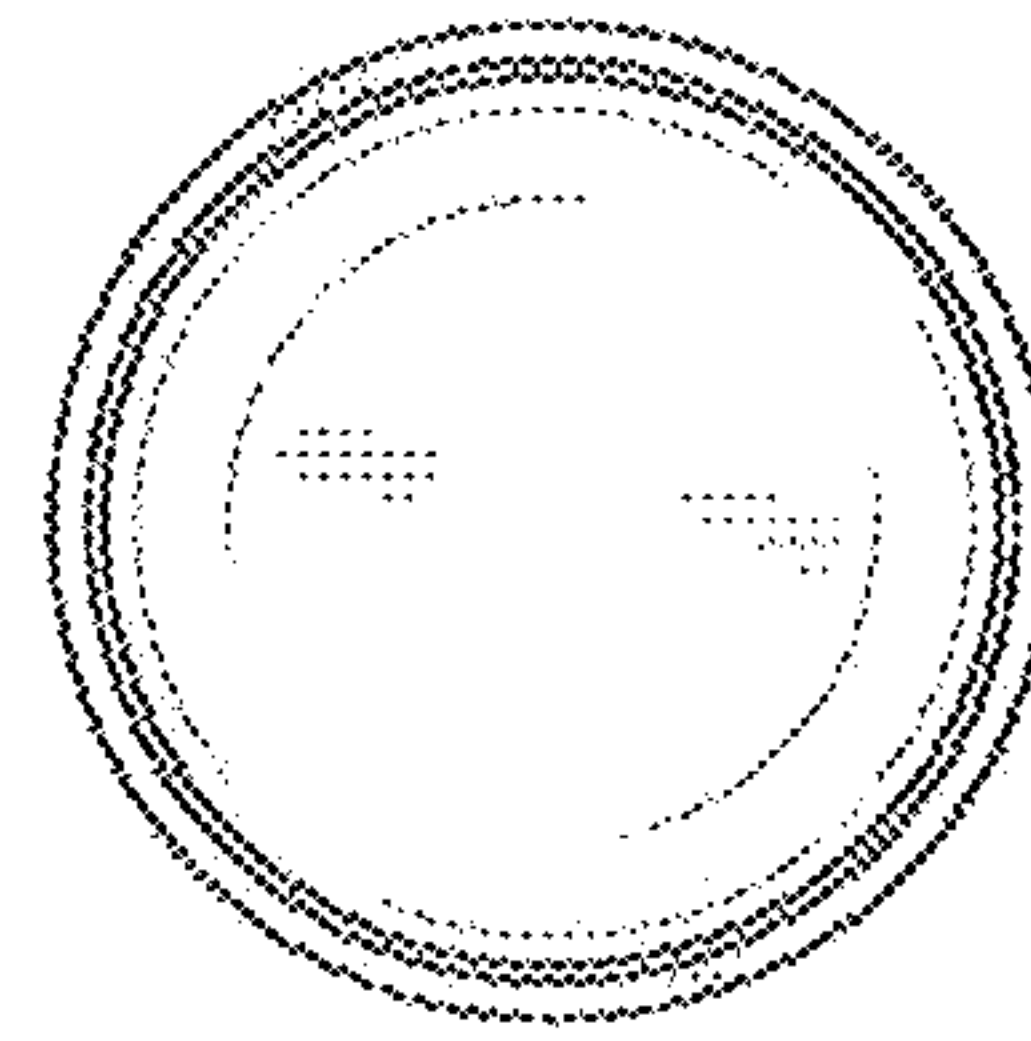


FIG. 5