



US00D809894S

(12) **United States Design Patent** (10) **Patent No.:** **US D809,894 S**
Schweiss (45) **Date of Patent:** **** Feb. 13, 2018**

(54) **HINGE**
(71) Applicant: **Michael L. Schweiss**, Fairfax, MN (US)
(72) Inventor: **Michael L. Schweiss**, Fairfax, MN (US)
(73) Assignee: **SORREL QUARTERS, LLC**, Hector, MN (US)
(**) Term: **15 Years**
(21) Appl. No.: **29/620,103**
(22) Filed: **Jul. 5, 2016**
(51) **LOC (11) Cl.** **08-06**
(52) **U.S. Cl.**
USPC **D8/323**
(58) **Field of Classification Search**
USPC D8/323, 325, 336
CPC F16M 13/02; F16B 23/00; E05D 11/1014
See application file for complete search history.

D548,051 S 8/2007 Ruppert D8/354
D568,728 S 5/2008 Zadak D8/380
D610,434 S 2/2010 Watts D8/349
D611,886 S 3/2010 Peschmann D12/223
D611,887 S 3/2010 Peschmann D12/223
D619,879 S 7/2010 McCarthy D8/354

(Continued)

Primary Examiner — Cynthia Underwood
(74) *Attorney, Agent, or Firm* — Richard John Bartz

(57) **CLAIM**

The ornamental design of a hinge, as shown and described.

DESCRIPTION

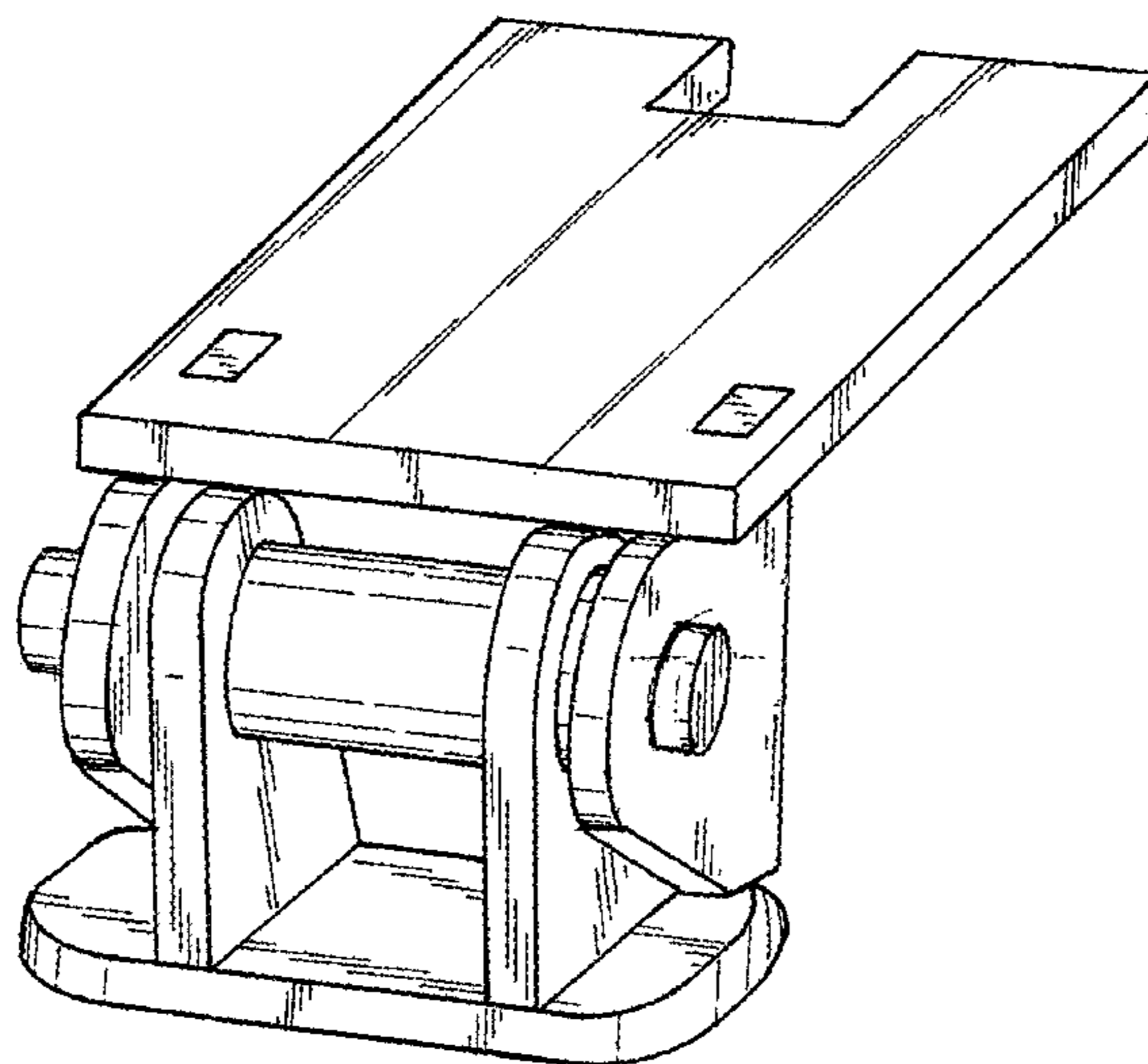
FIG. 1 is a perspective view of the hinge of my design; FIG. 2 is a front elevational view thereof; FIG. 3 is a rear elevational view thereof; FIG. 4 is a right side elevational view thereof; FIG. 5 is a left side elevational view thereof; FIG. 6 is a top plan view thereof; FIG. 7 is a bottom plan view thereof; FIG. 8 is a perspective view of the upper member of the hinge of FIG. 1 shown separated from the lower member; FIG. 9 is a front elevational view of FIG. 8; FIG. 10 is a rear elevational view of FIG. 8; FIG. 11 is a right side elevational view of FIG. 8; FIG. 12 is a left side elevational view of FIG. 8; FIG. 13 is a top plan view of FIG. 8; FIG. 14 is a bottom plan view of FIG. 8; FIG. 15 is a perspective view of the lower member of the hinge of FIG. 1 shown separated from the upper member; FIG. 16 is a front elevational view of FIG. 15; FIG. 17 is a rear elevational view of FIG. 15; FIG. 18 is a right side elevational view of FIG. 15; FIG. 19 is a left side elevational view of FIG. 15; FIG. 20 is a section view taken along line 20-20 of FIG. 16; FIG. 21 is a top plan view of FIG. 15; and, FIG. 22 is a bottom plan view of FIG. 15.

(56) **References Cited**

U.S. PATENT DOCUMENTS

4,295,514 A 10/1981 Johnson
4,637,446 A 1/1987 McQueen et al.
D289,605 S 5/1987 Lytle D8/381
5,343,923 A 9/1994 Keller
D383,430 S 9/1997 Jeffries D12/223
D437,282 S 2/2001 Joll D12/223
6,199,617 B1 3/2001 Schweiss
D474,958 S 5/2003 Perdue D8/349
D478,801 S 8/2003 Spruill D8/354
D500,441 S 1/2005 Senn D8/323
6,866,080 B2 3/2005 Schweiss
6,883,273 B2 4/2005 Kerkvliet
7,007,905 B2 3/2006 Roberts A47B 96/061
108/108
7,219,711 B2 5/2007 Keller et al.

1 Claim, 10 Drawing Sheets



(56)

References Cited

U.S. PATENT DOCUMENTS

D631,734 S	2/2011	Fernandez	D8/380
D637,060 S	5/2011	Mitchell	D8/323
8,020,253 B1	9/2011	Finkelstein	E05D 7/0423 16/250
D658,031 S	4/2012	Mitchell	D8/323
D695,593 S	12/2013	Nunez Farfan	D8/354
D698,628 S	2/2014	Stanley	D8/367
D719,011 S	12/2014	Russo	D8/323
D728,348 S	5/2015	Munson	D8/354
D748,966 S	2/2016	Morinaga	D8/323
D749,394 S	2/2016	Morinaga	D8/323
D758,828 S *	6/2016	Corpuz, Jr.	D8/323
D761,076 S *	7/2016	Schweiss	D8/323
D761,077 S *	7/2016	Schweiss	D8/323
D761,078 S *	7/2016	Schweiss	D8/323
D761,634 S *	7/2016	Schweiss	D8/323
9,493,973 B2 *	11/2016	Mitchell	E05D 7/0423
2001/0034915 A1	11/2001	Preston	B65G 69/2894 14/71.1
2002/0092102 A1	7/2002	Lounsbury	B65G 69/2894 14/71.3
2005/0044645 A1	3/2005	Gleason	B65G 69/2817 14/71.3
2009/0241293 A1	10/2009	Swerdlick	A47L 9/32 16/430
2011/0225895 A1	9/2011	Peterson	

* cited by examiner

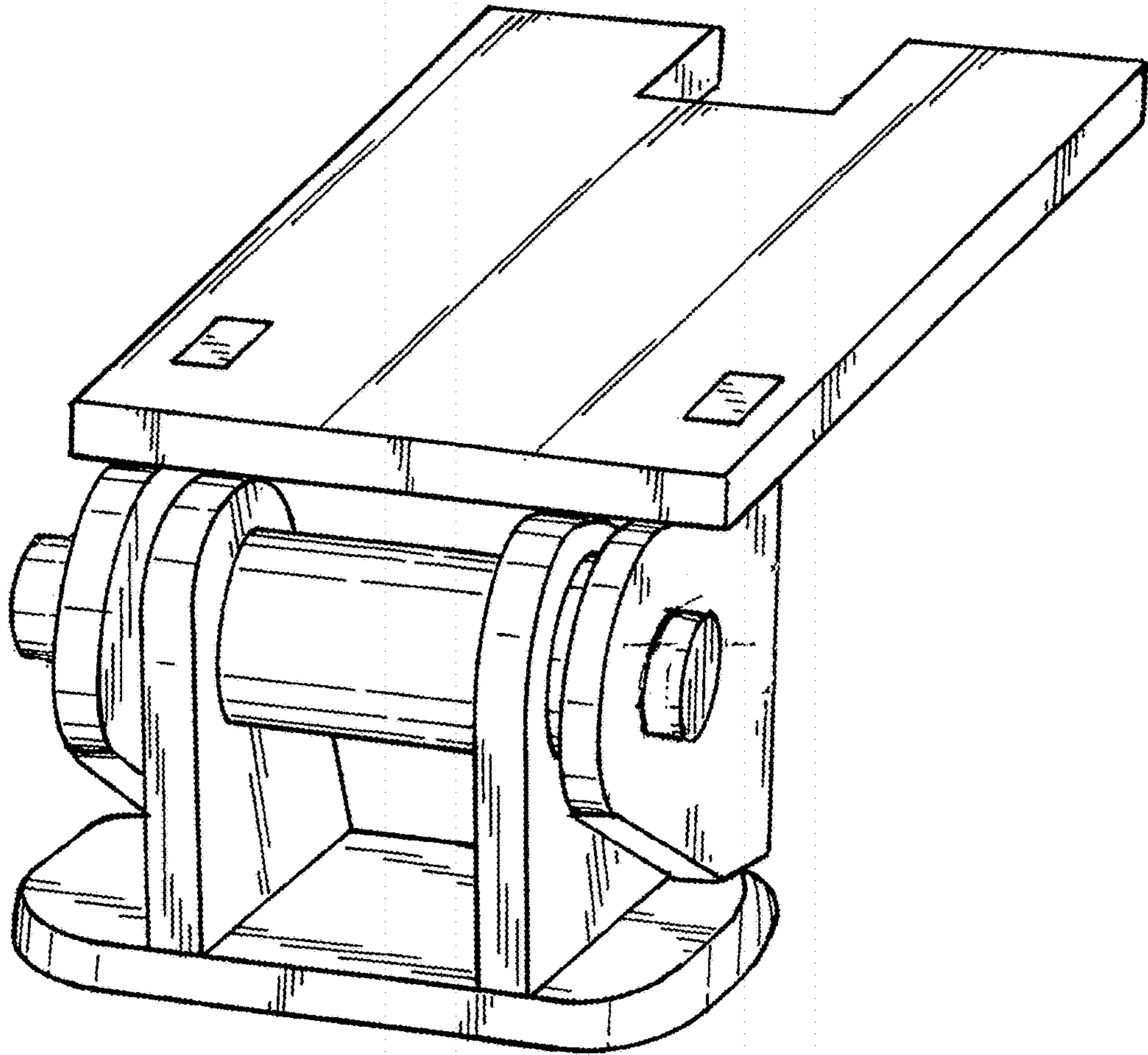


FIG. 1

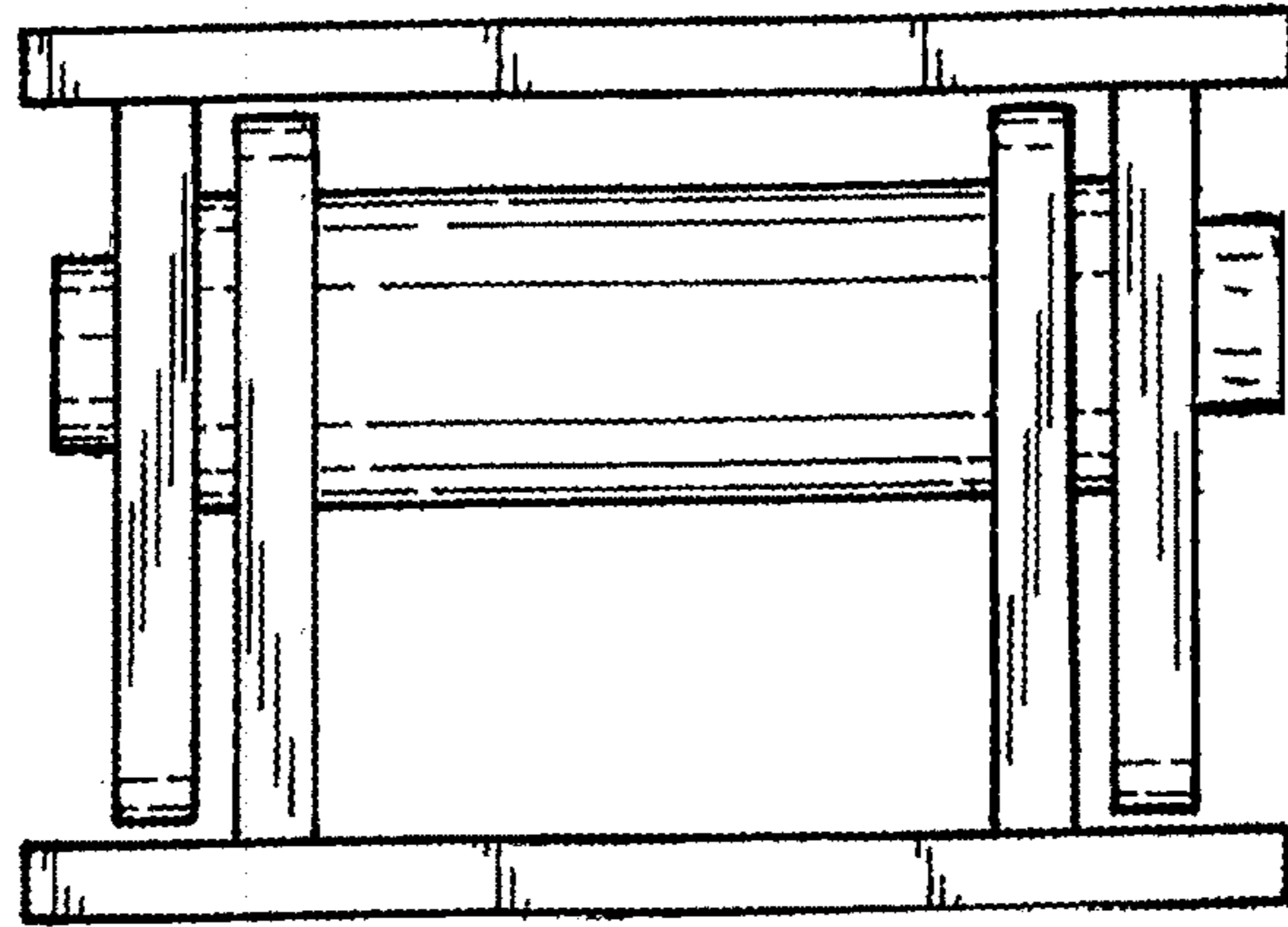


FIG. 2

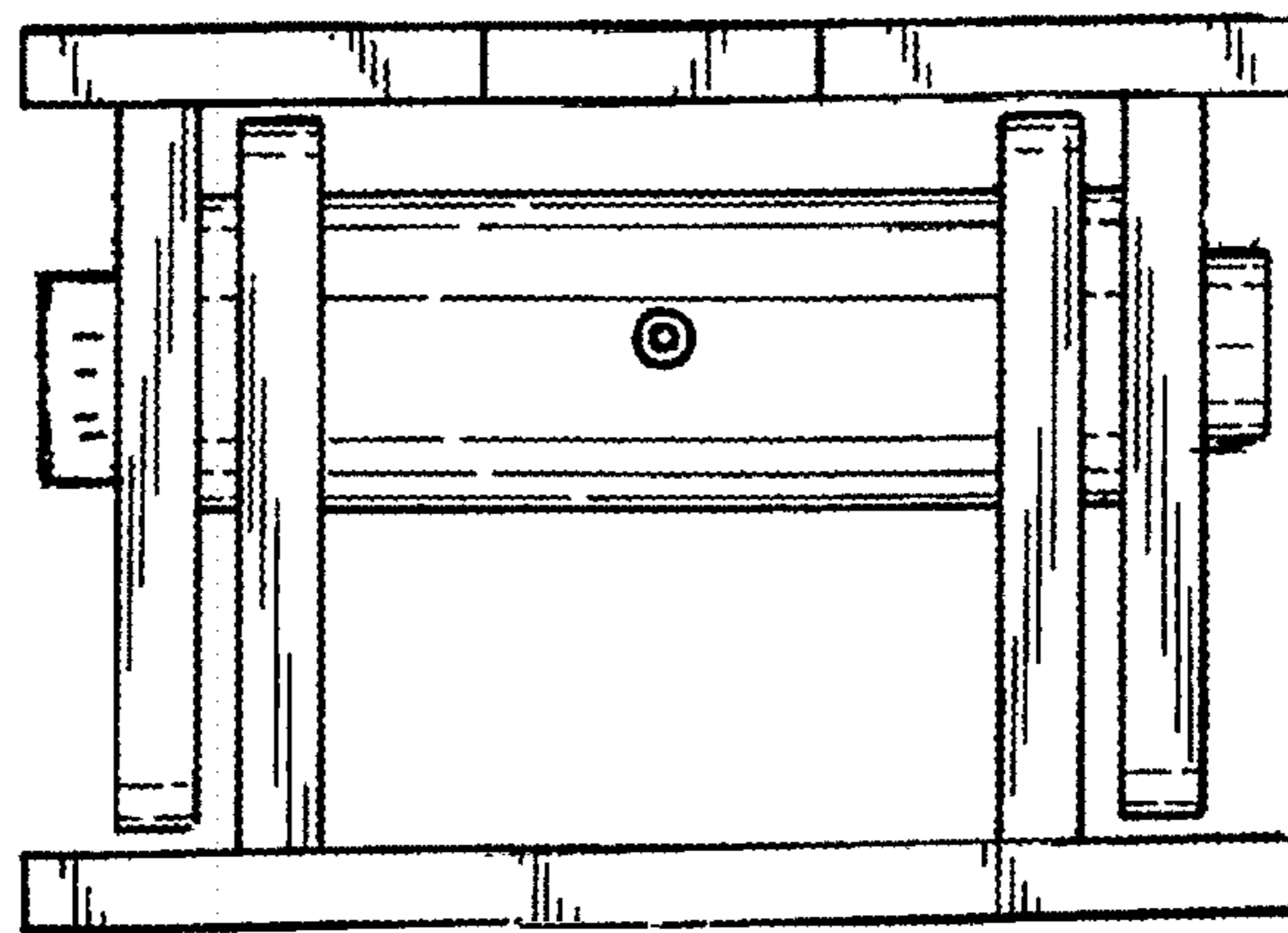


FIG. 3

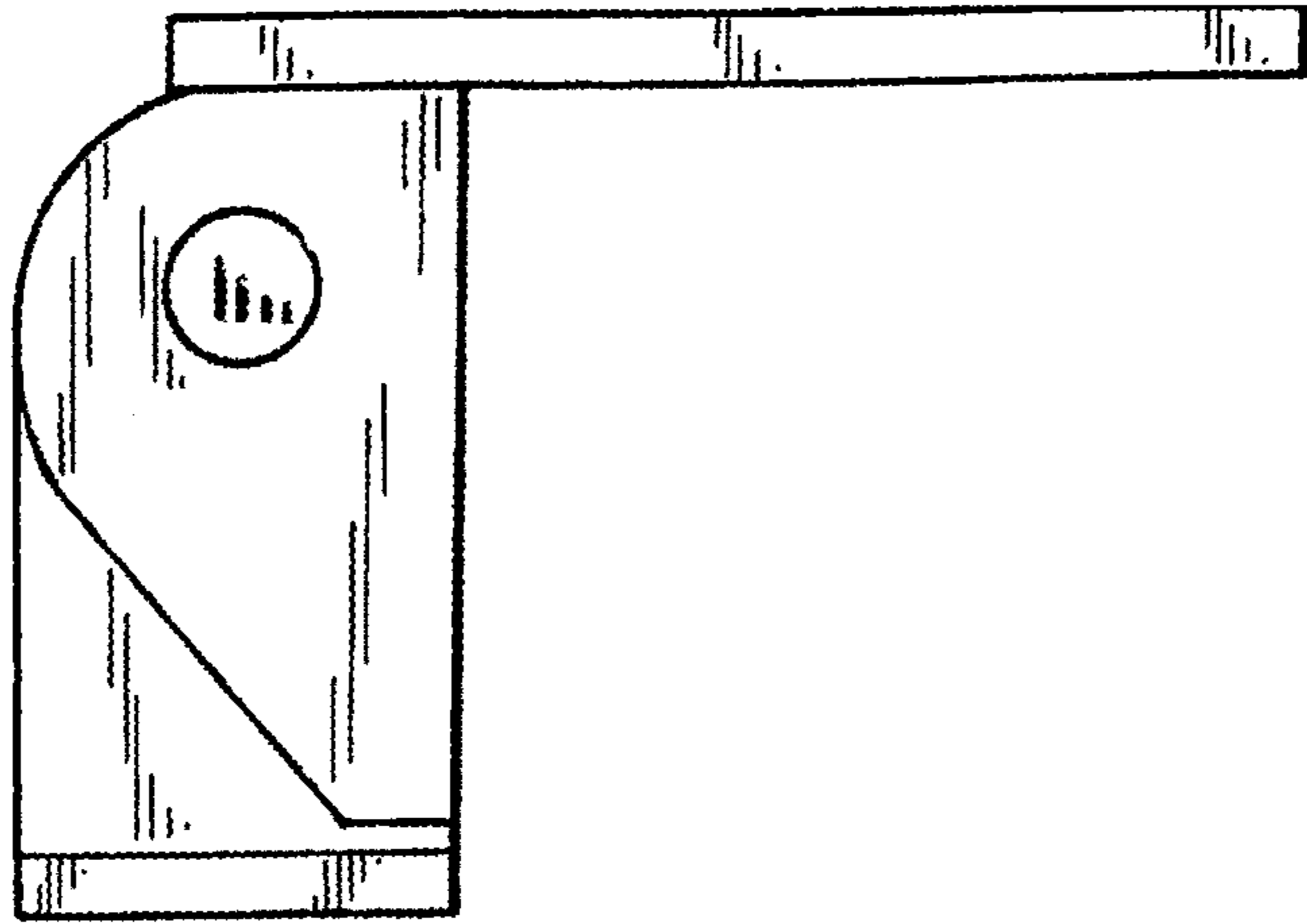


FIG. 4

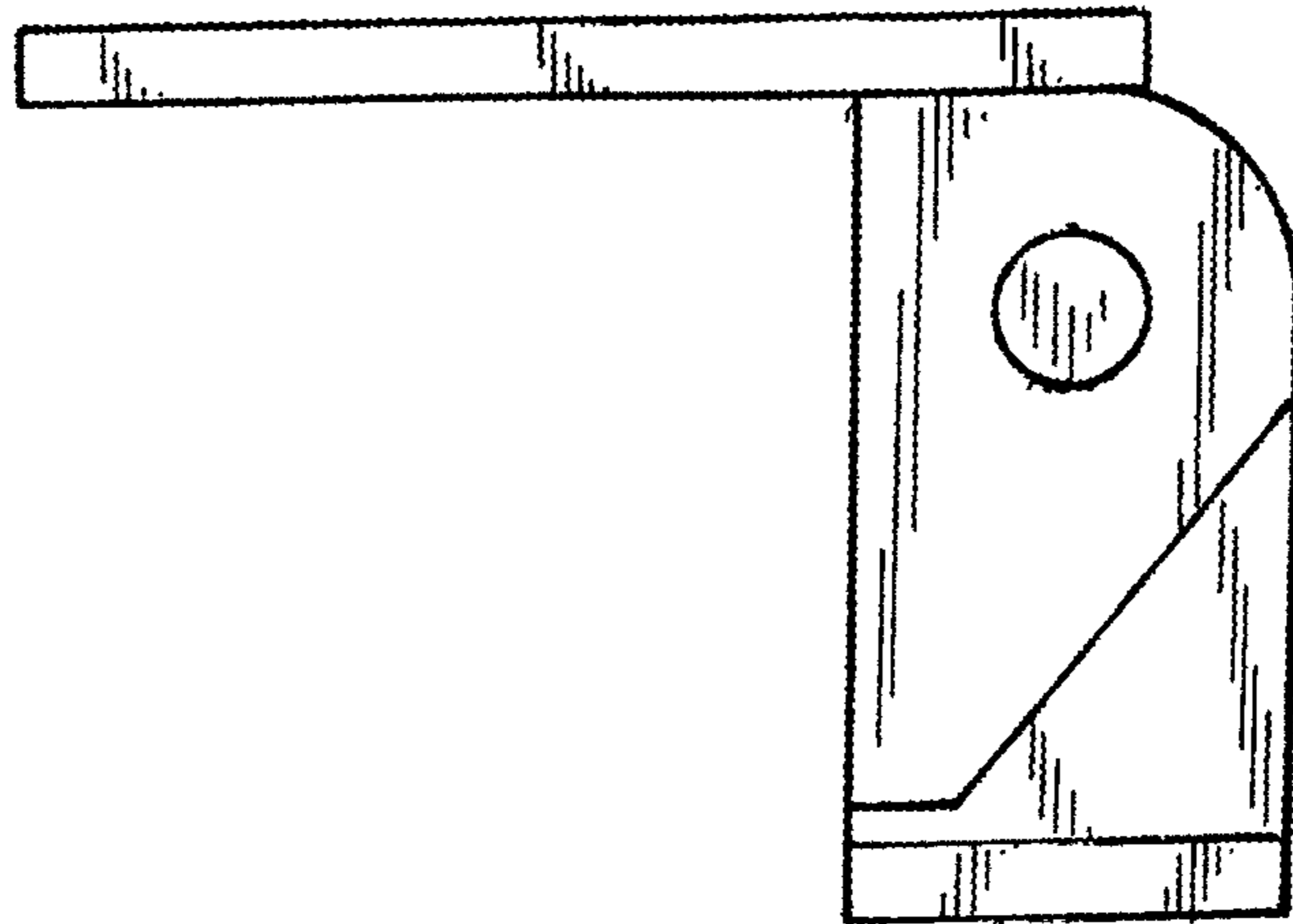


FIG. 5

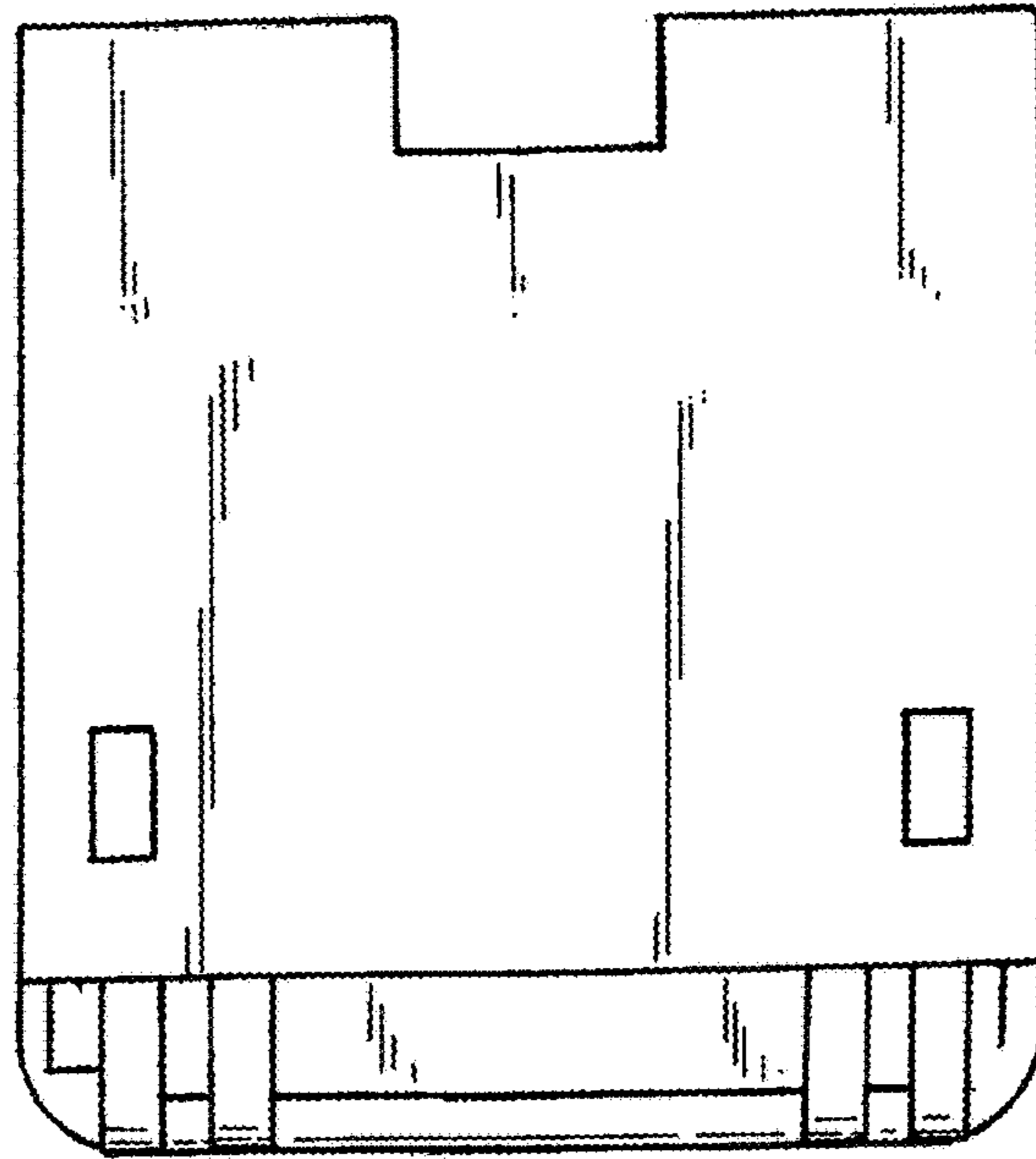


FIG. 6

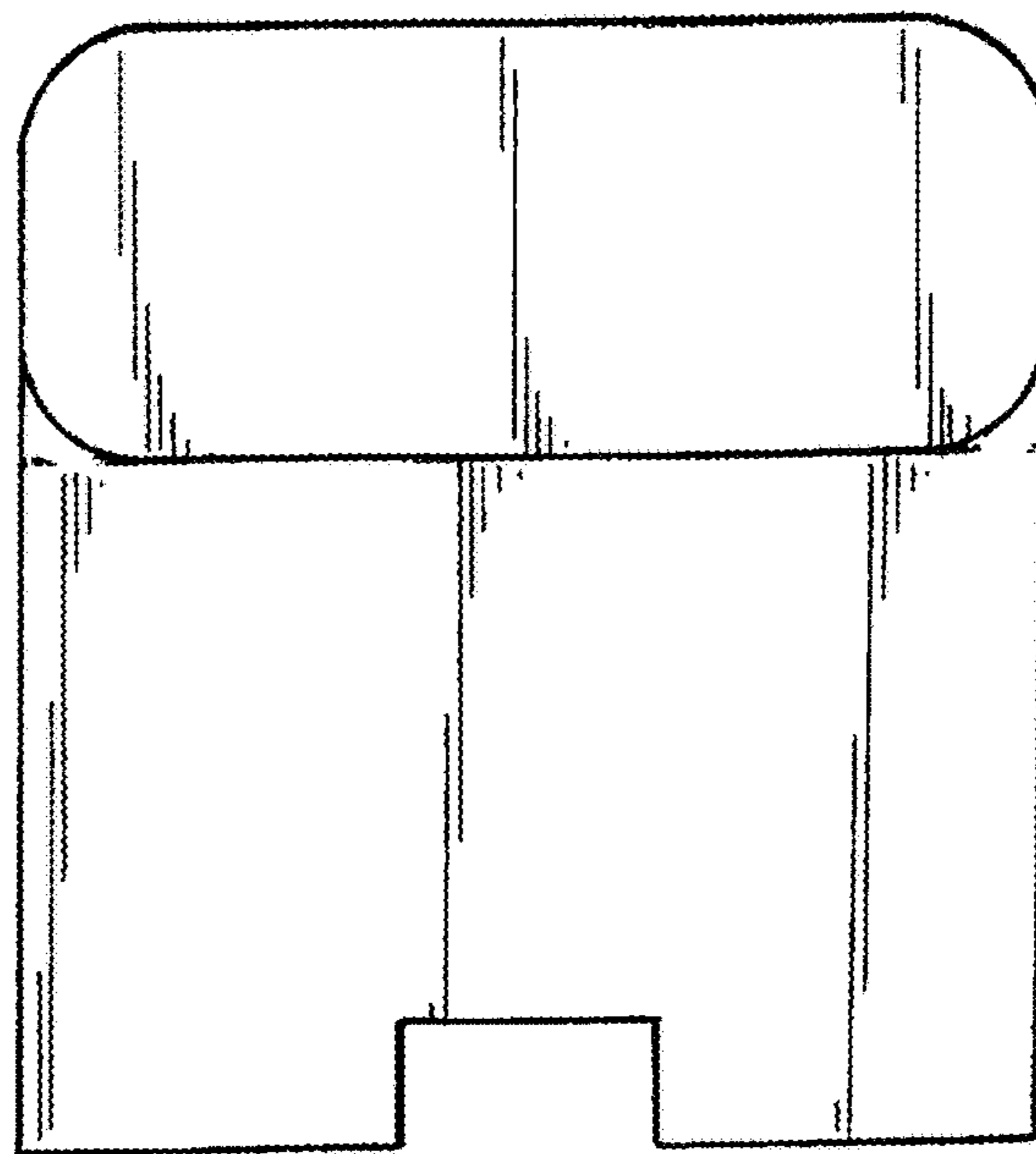


FIG. 7

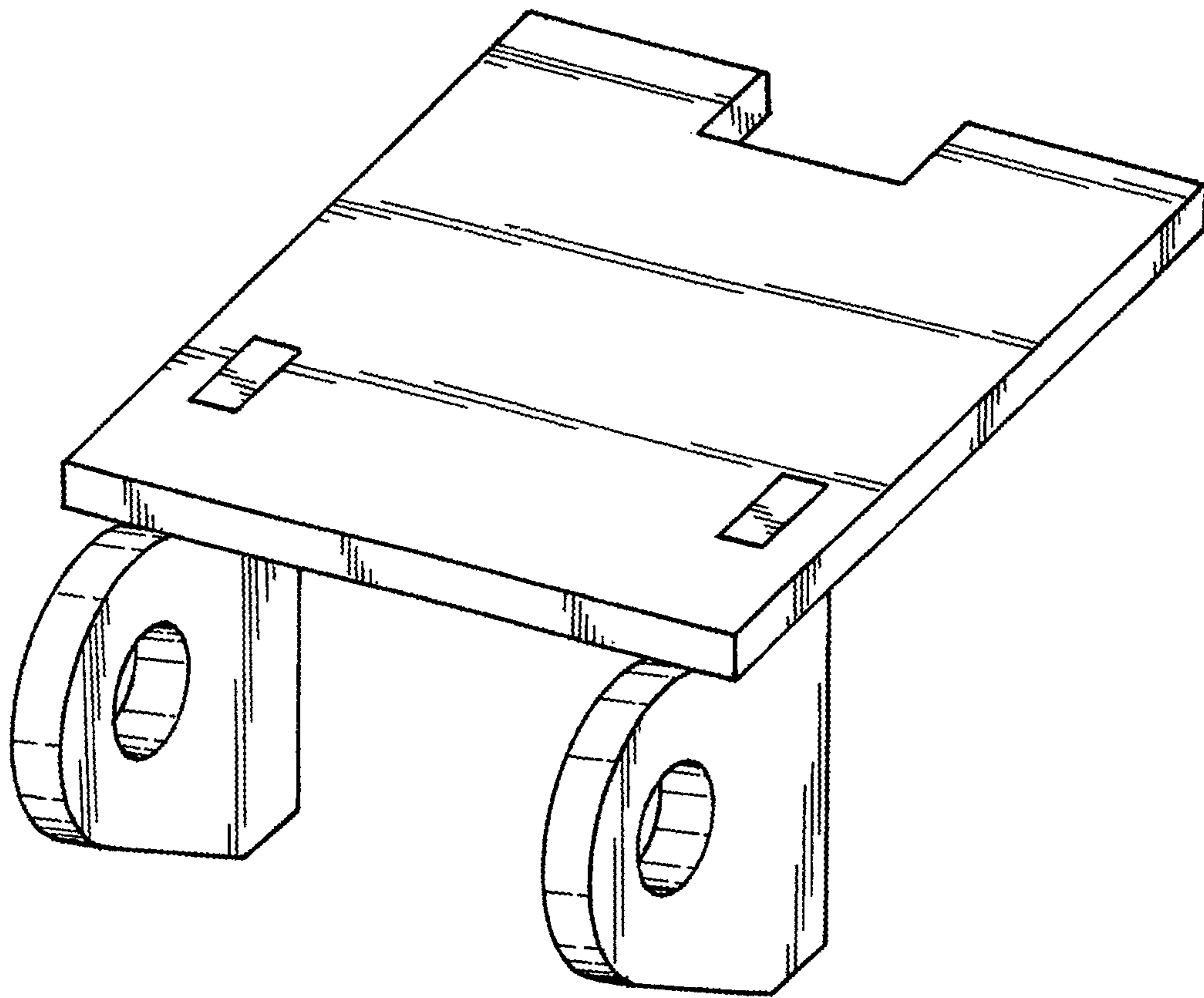


FIG.8

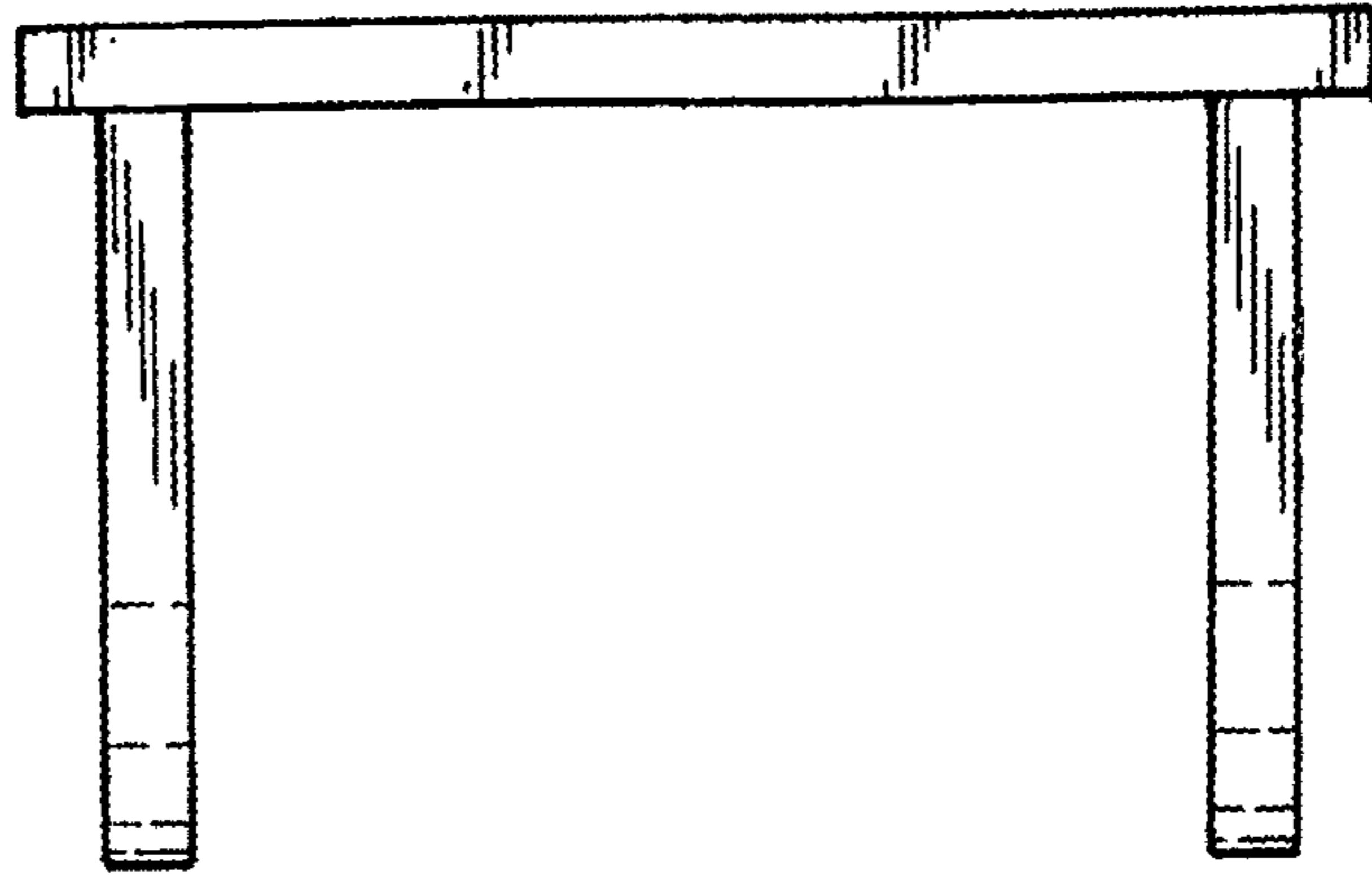


FIG. 9

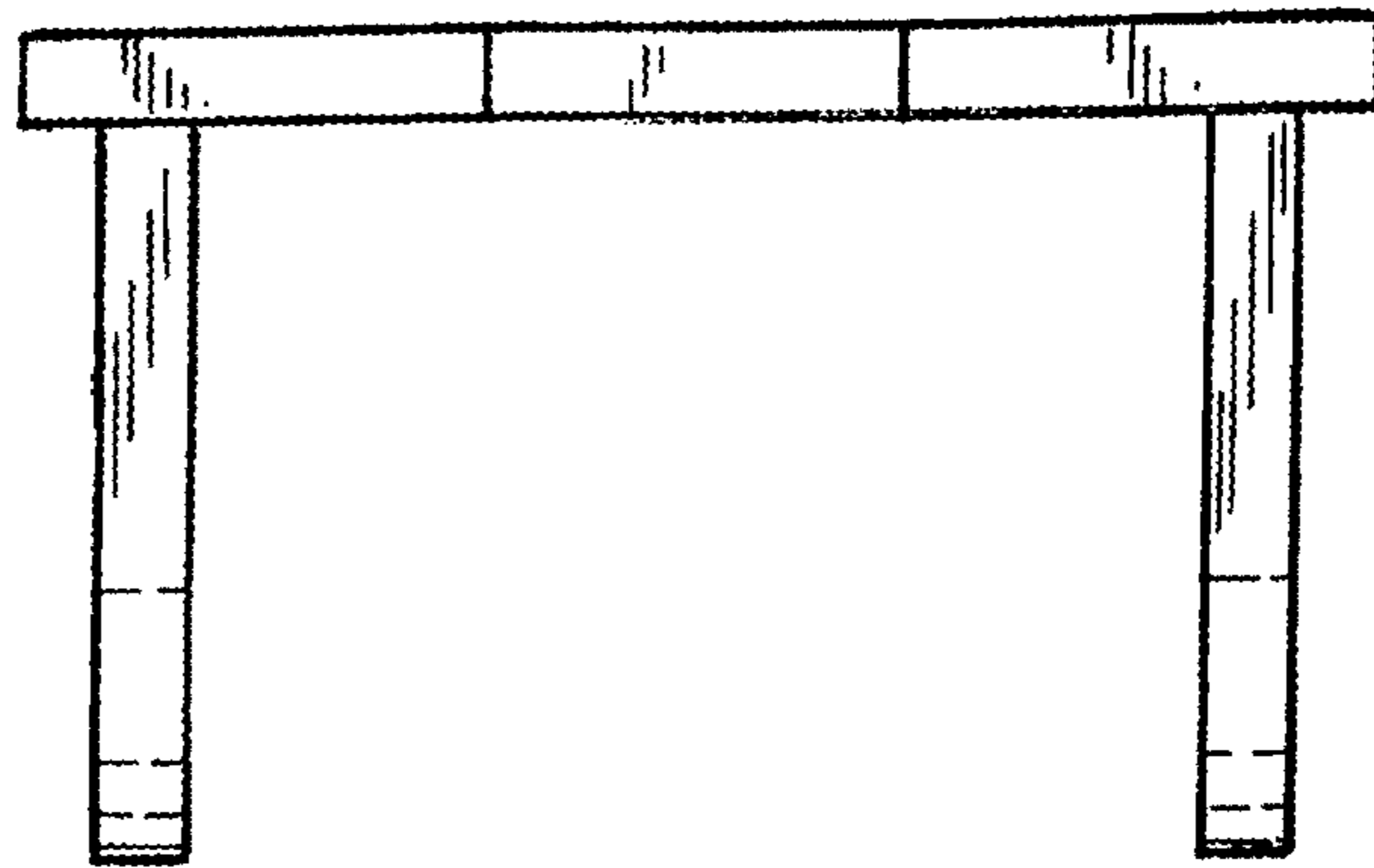


FIG. 10

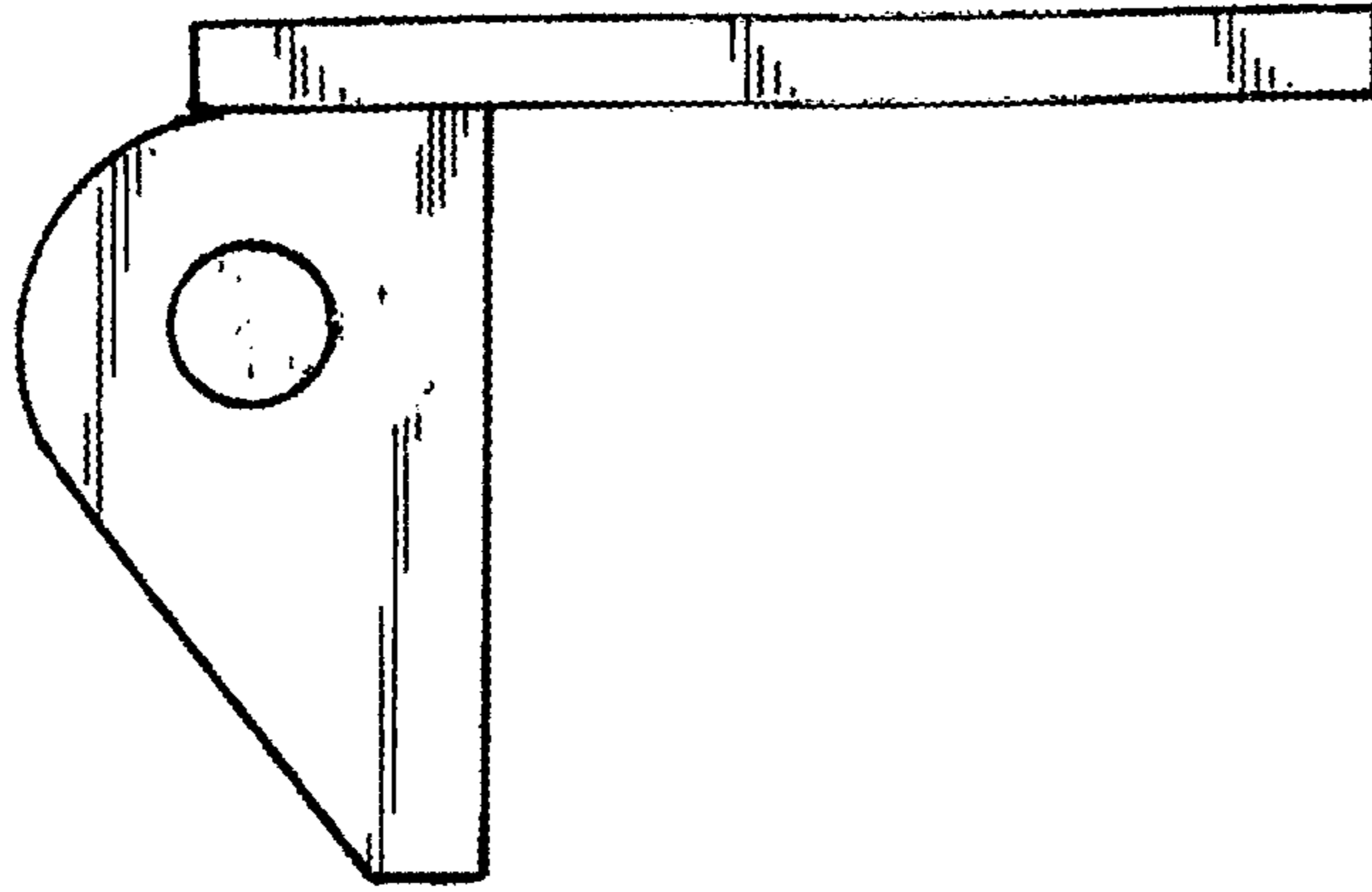


FIG. 11

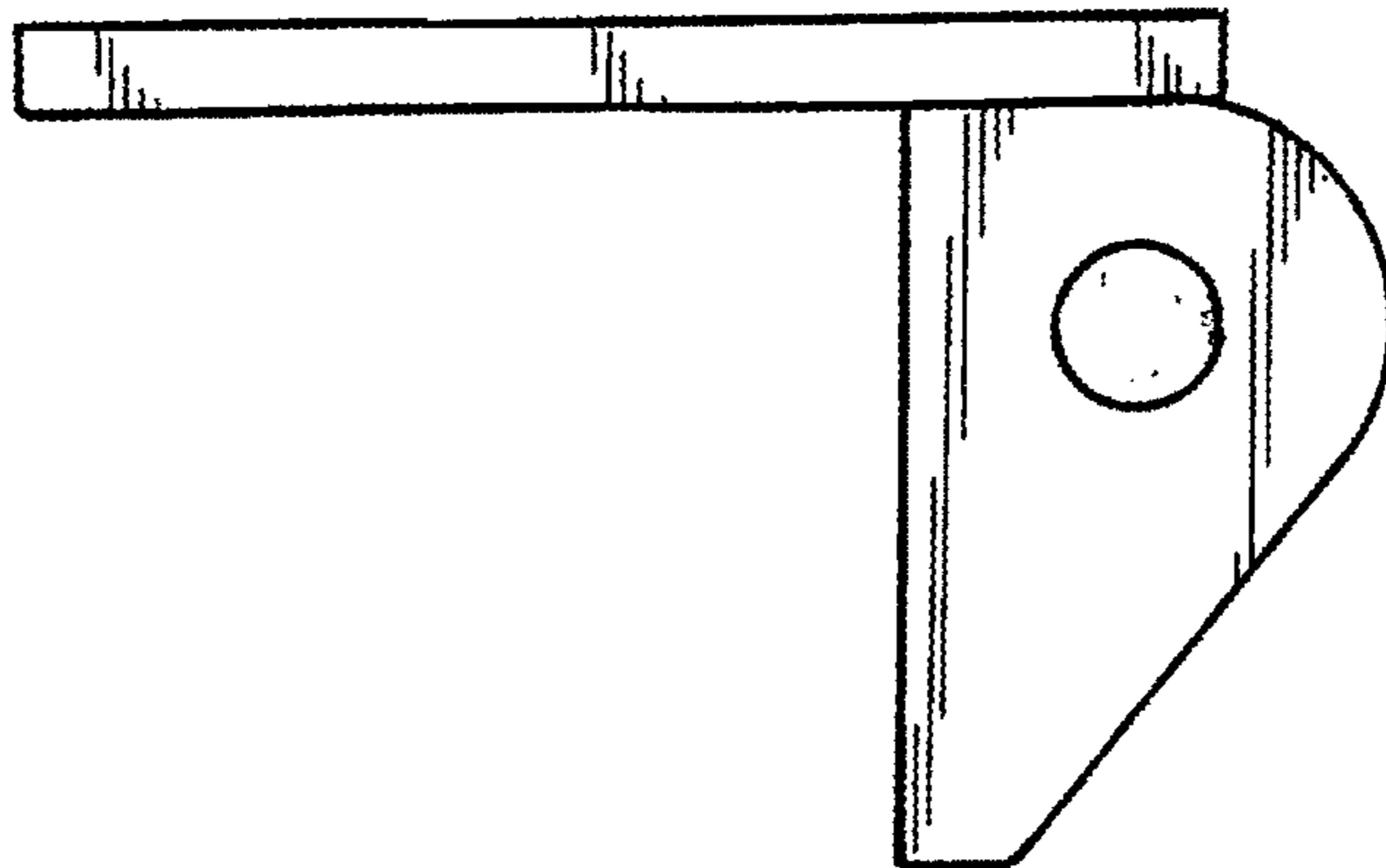


FIG. 12

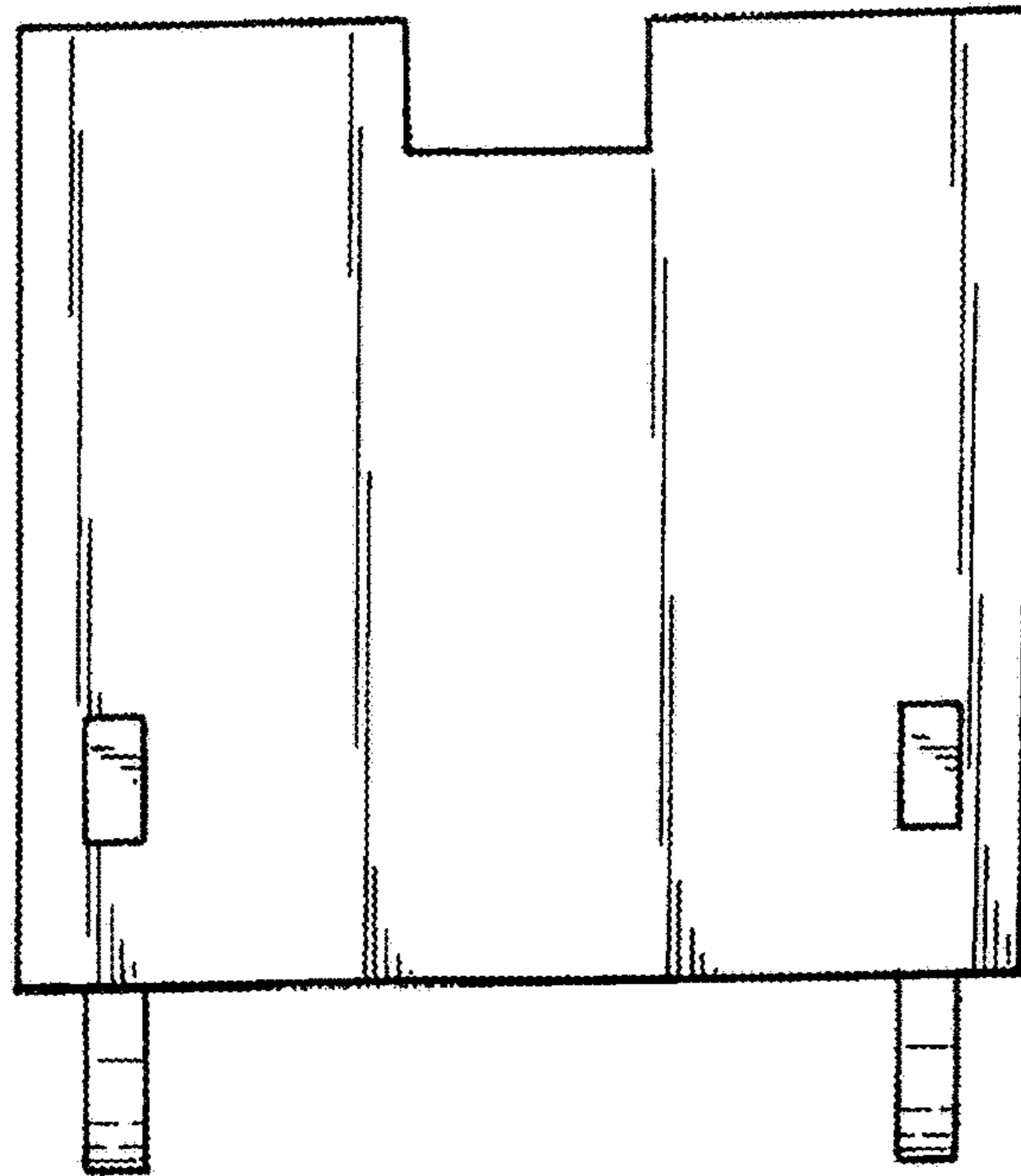


FIG.13

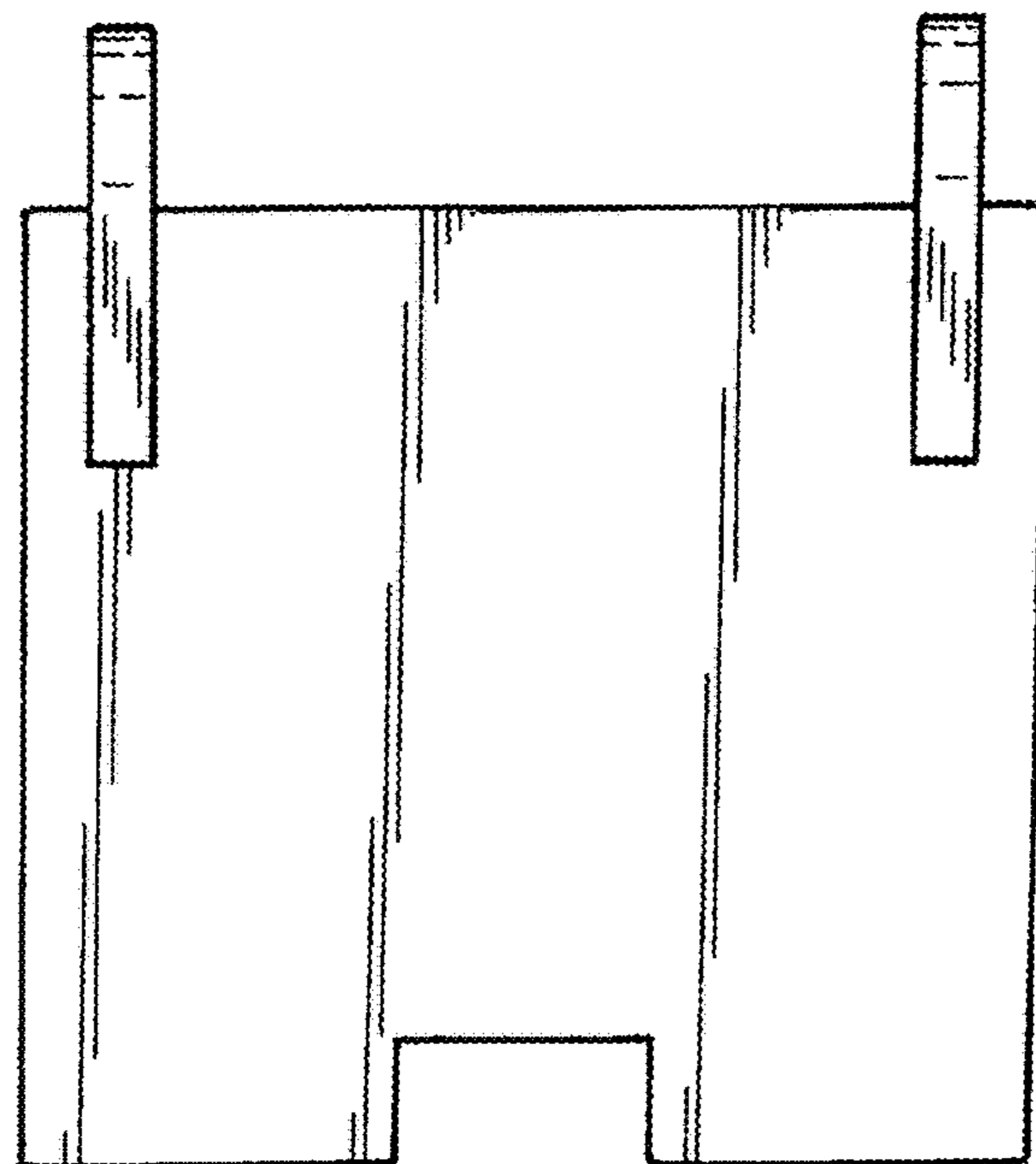


FIG.14

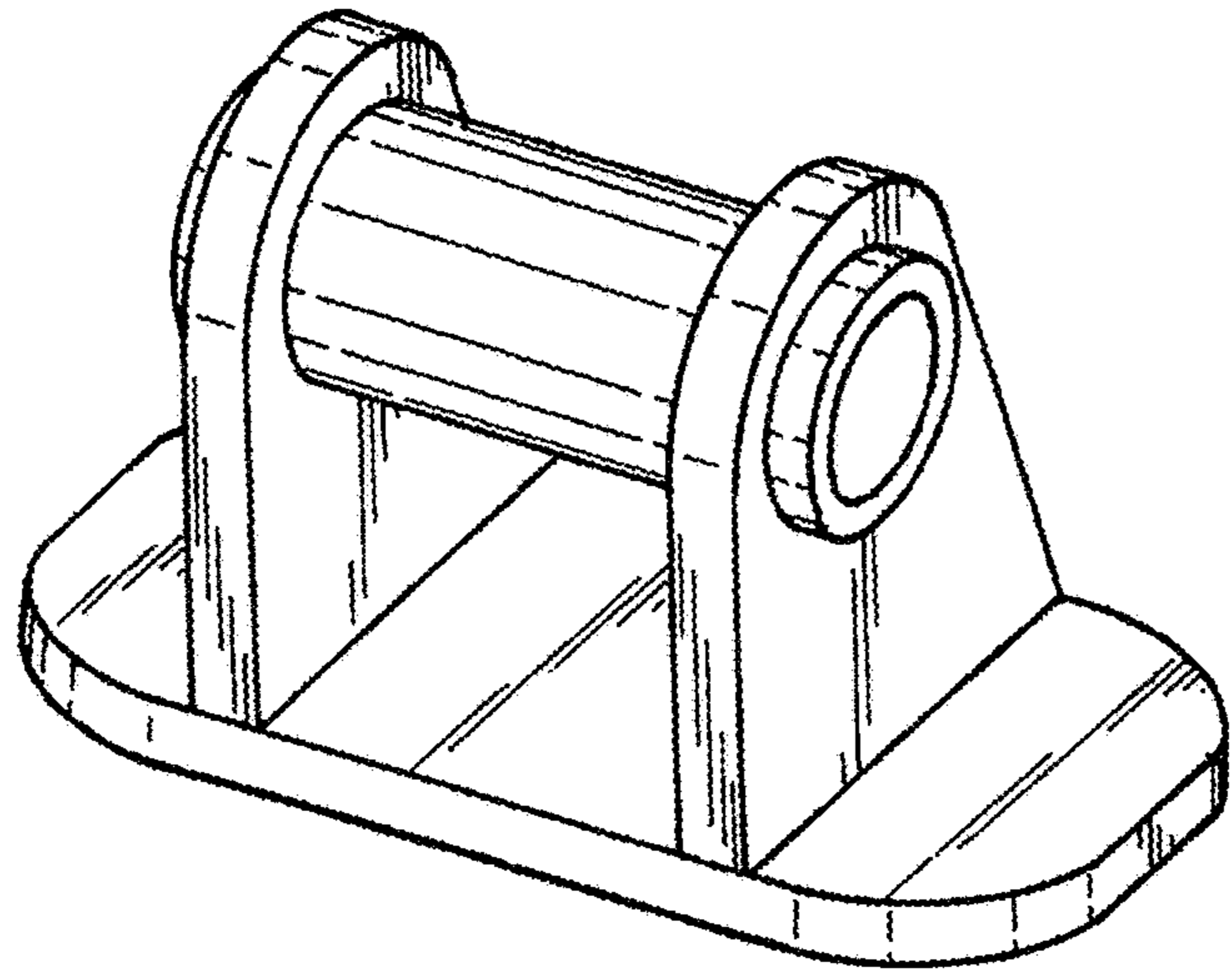


FIG. 15

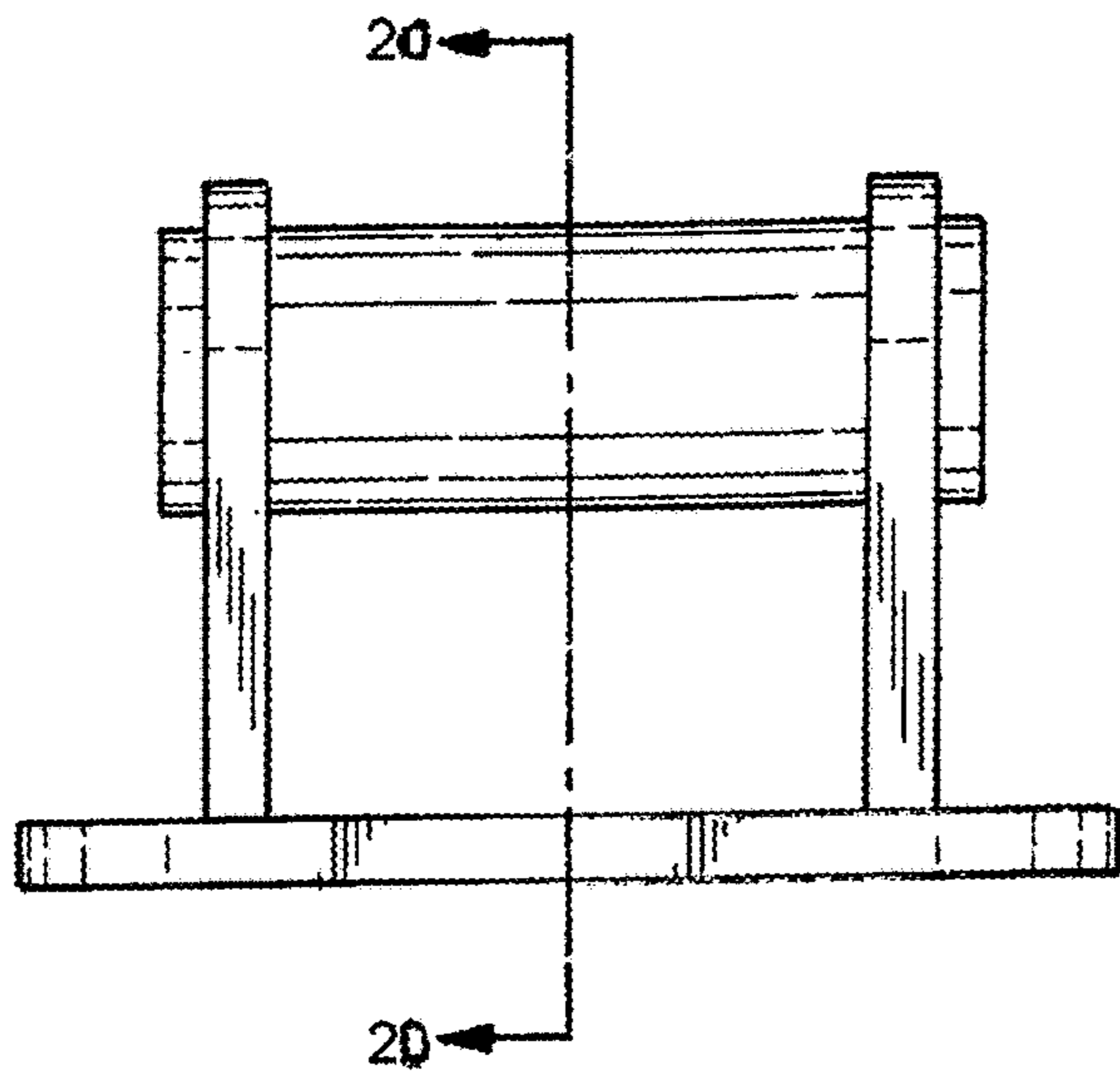


FIG. 16

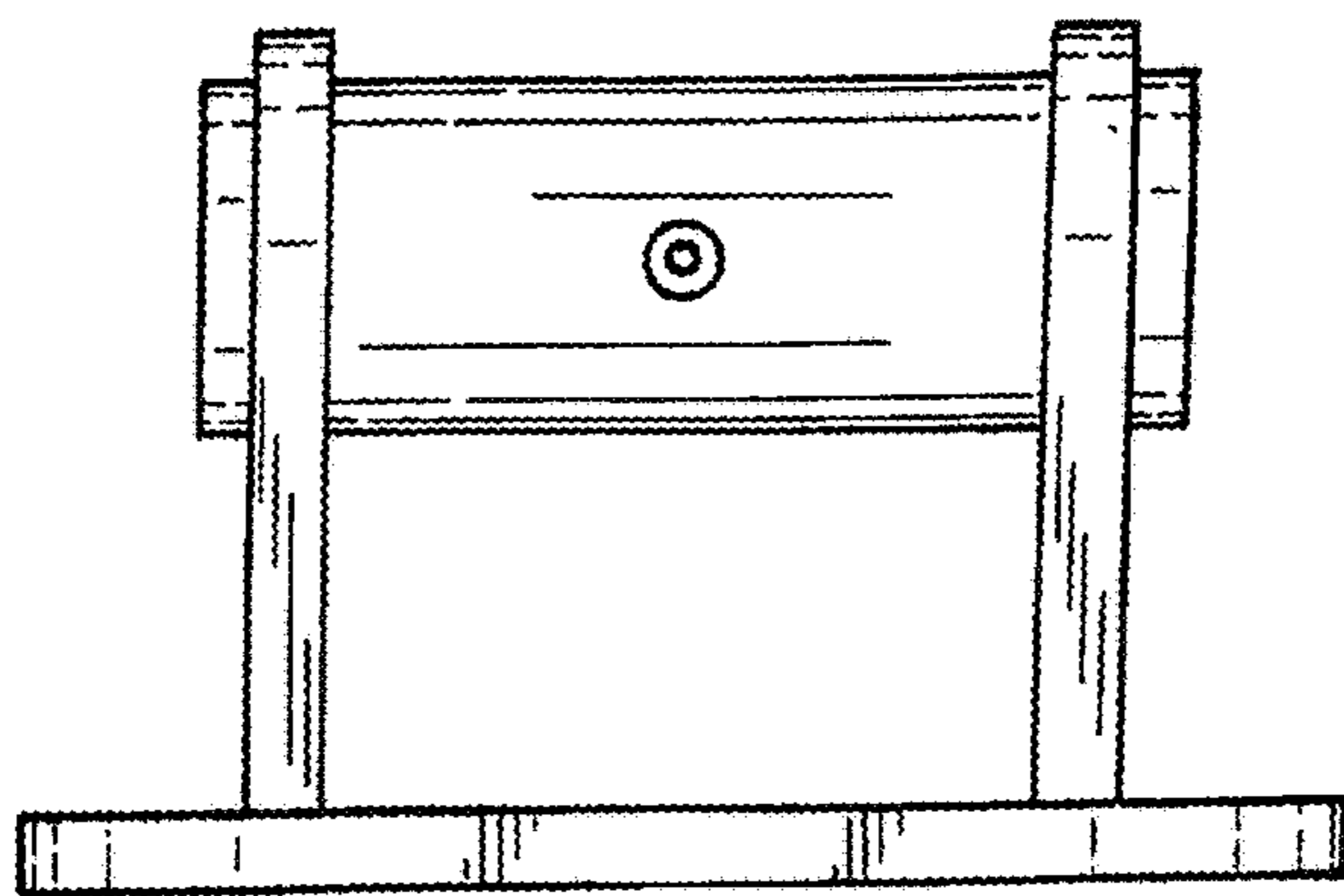


FIG. 17

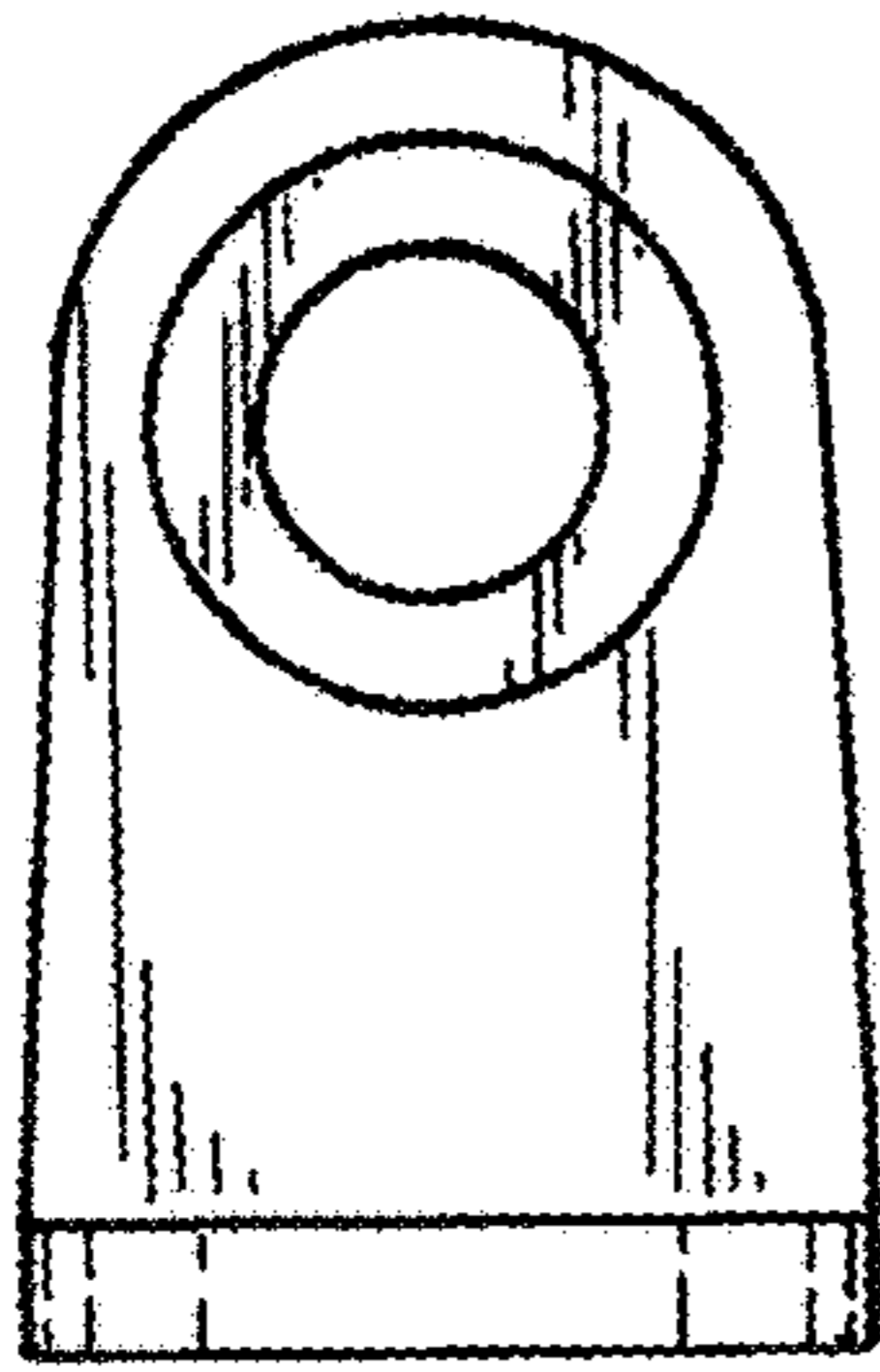


FIG.18

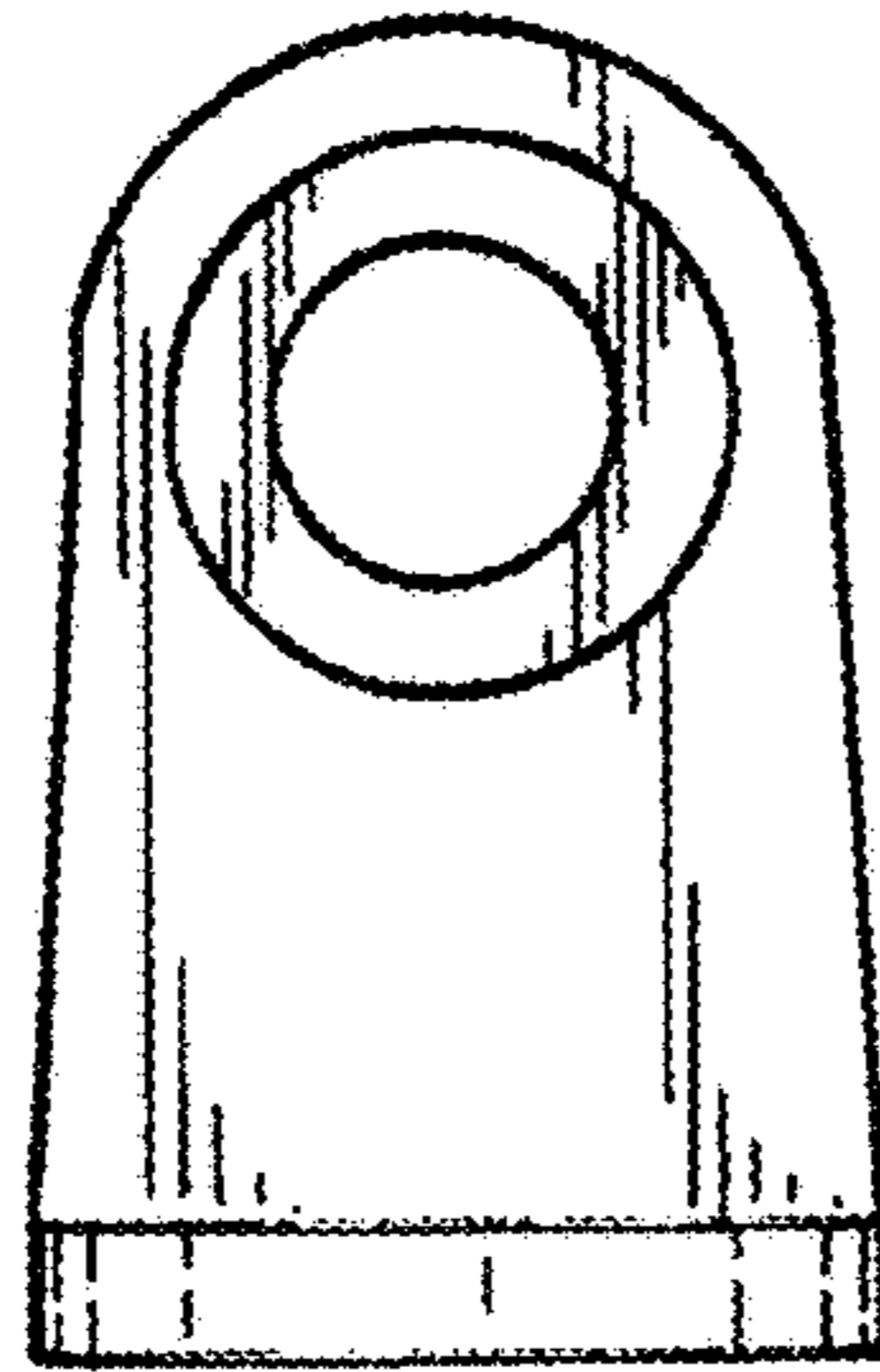


FIG.19

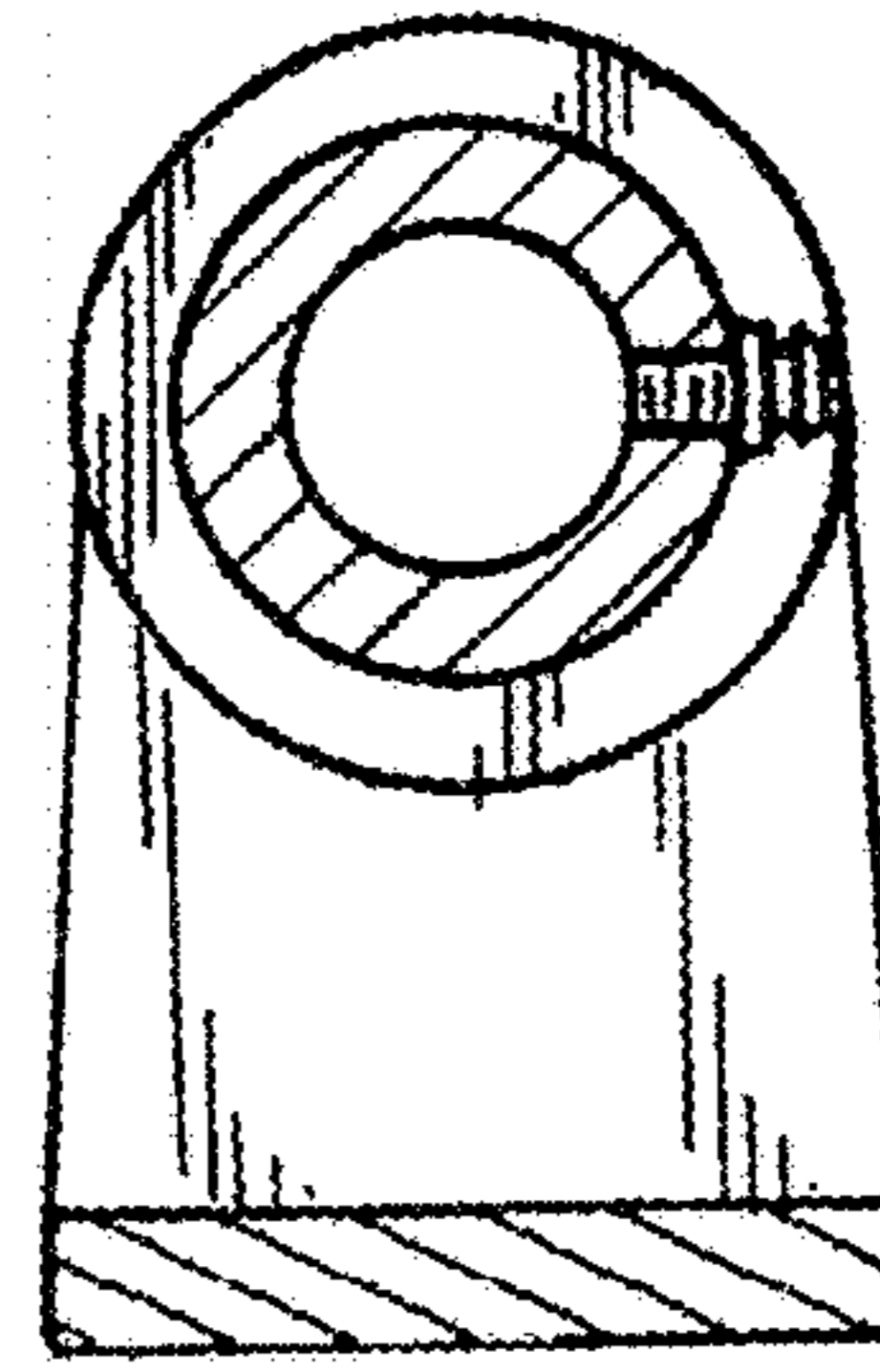


FIG.20

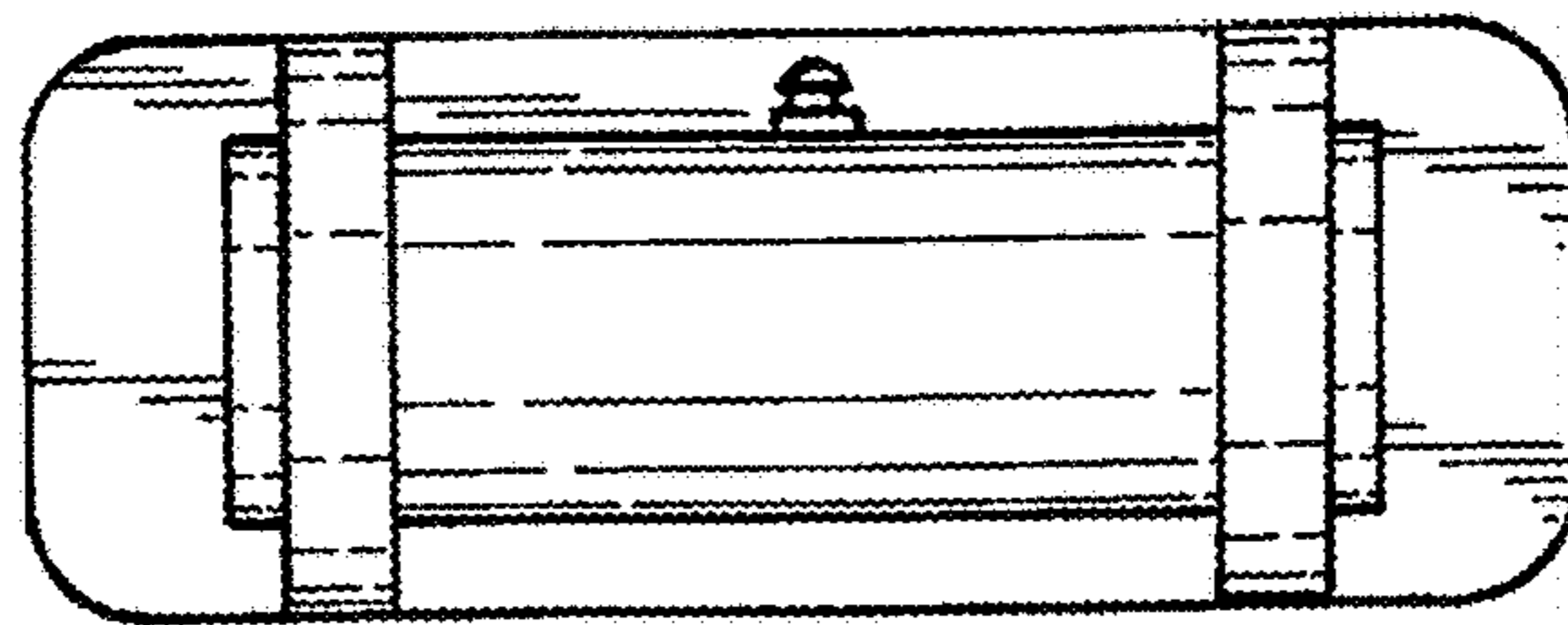


FIG.21

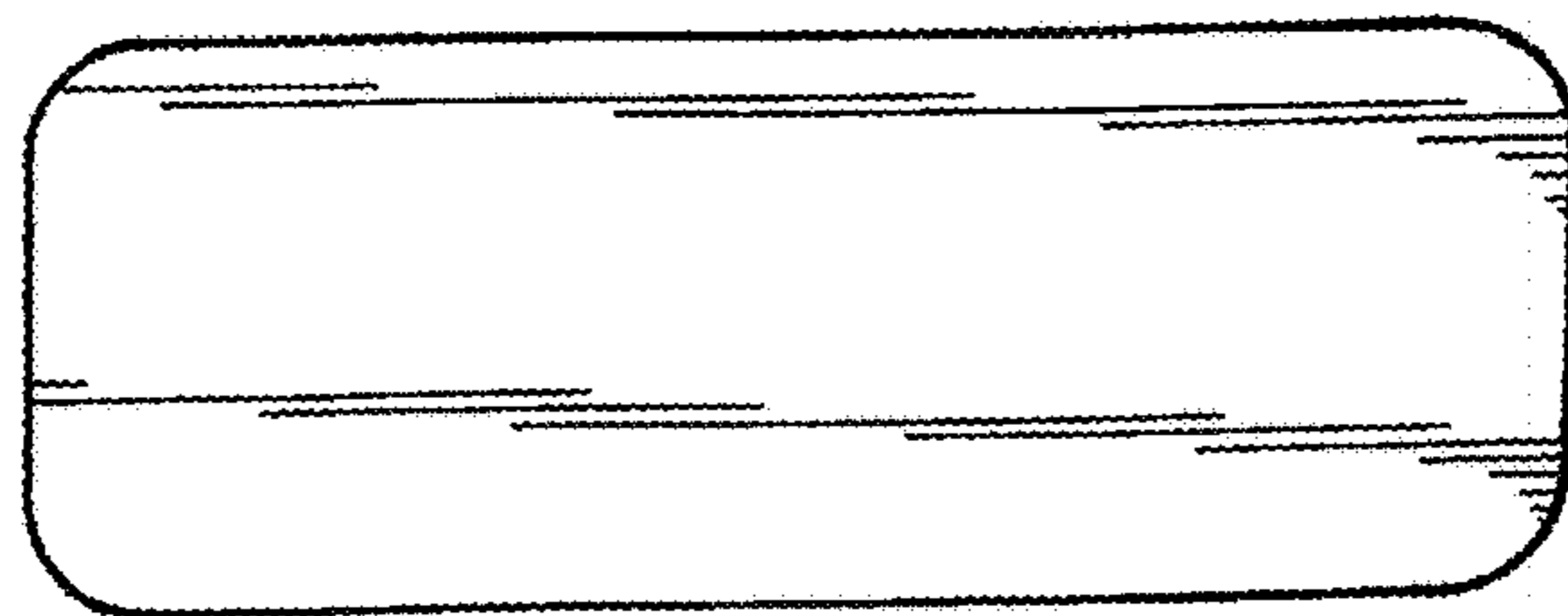


FIG.22