



US00D809891S

(12) **United States Design Patent**  
**Bullard**

(10) **Patent No.:** **US D809,891 S**

(45) **Date of Patent:** **\*\* Feb. 13, 2018**

- (54) **SQUARE TEXTURE HAMMER**
- (71) Applicant: **Wubbers, LLC**, Lubbock, TX (US)
- (72) Inventor: **Patricia Bullard**, Lubbock, TX (US)
- (73) Assignee: **Wubbers, LLC**, Lubbock, TX (US)
- (\*\*) Term: **15 Years**

D477,517 S *	7/2003	Siemers .....	D8/77
D478,265 S *	8/2003	Chen .....	D8/76
D522,340 S *	6/2006	Hung .....	D8/76
D601,397 S *	10/2009	Johnsen .....	D8/75
D601,398 S *	10/2009	Youngren .....	D8/78
D604,136 S *	11/2009	Youngren .....	D8/78
D672,218 S *	12/2012	Youngren .....	D8/78
D677,550 S *	3/2013	Bauer-Juarez .....	D8/75

\* cited by examiner

(21) Appl. No.: **29/581,831**

*Primary Examiner* — Philip S Hyder

(22) Filed: **Oct. 21, 2016**

(74) *Attorney, Agent, or Firm* — Vincent J. Allen; Krista Y. Chan; Carstens & Cahoon, LLP

**Related U.S. Application Data**

(63) Continuation of application No. 15/299,967, filed on Oct. 21, 2016.

(51) **LOC (11) Cl.** ..... **08-02**

(52) **U.S. Cl.**  
USPC ..... **D8/75; D8/78**

(58) **Field of Classification Search**  
USPC ..... D8/75, 76, 77, 78, 79, 80, 81, 45, 14,  
D8/105

CPC ... B25D 1/00; B25D 1/02; B25D 1/04; B25D  
1/045; B25D 1/06; B25D 1/12; B25D  
1/14; B25D 1/16; B25G 1/01; B25G  
1/02; B25G 1/102

See application file for complete search history.

(56) **References Cited**

**U.S. PATENT DOCUMENTS**

3,712,284 A *	1/1973	Porter .....	B25D 1/00 125/40
6,339,974 B1 *	1/2002	Kotschner .....	B25D 1/06 81/23

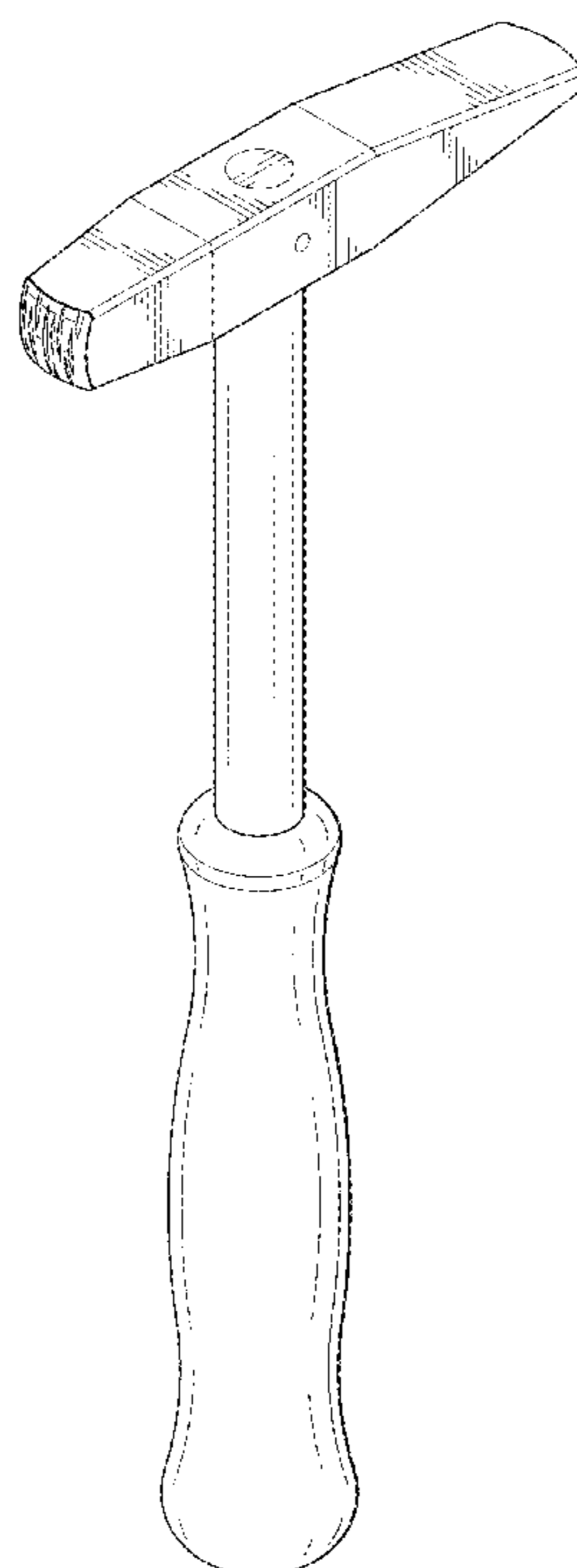
(57) **CLAIM**

The ornamental design for a square texture hammer, as shown and described.

**DESCRIPTION**

FIG. 1 is a perspective view of a square texture hammer; FIG. 2 is a right side view of the square texture hammer; FIG. 3 is a left side view of the square texture hammer; FIG. 4 is a back view of the square texture hammer; FIG. 5 is a front view of the square texture hammer; FIG. 6 is a top view of the square texture hammer; FIG. 7 is a bottom view of the square texture hammer; and, FIG. 8 is a perspective view of the square texture hammer.

**1 Claim, 6 Drawing Sheets**



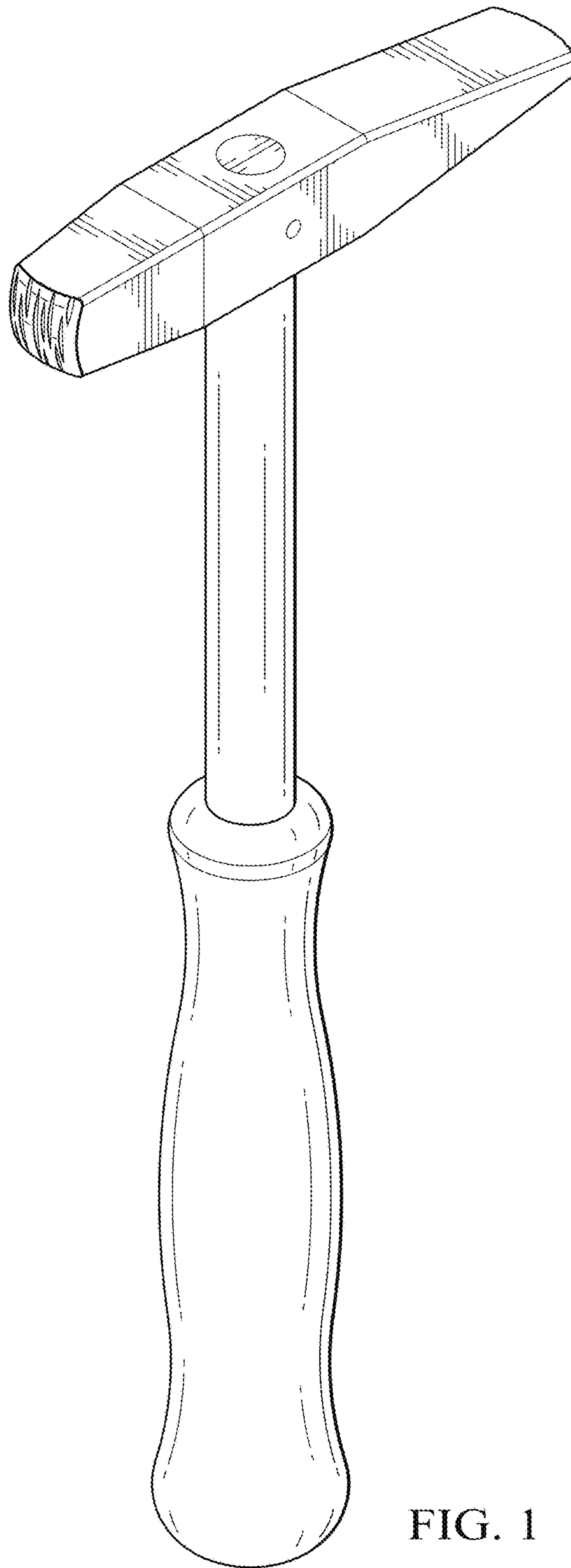


FIG. 1

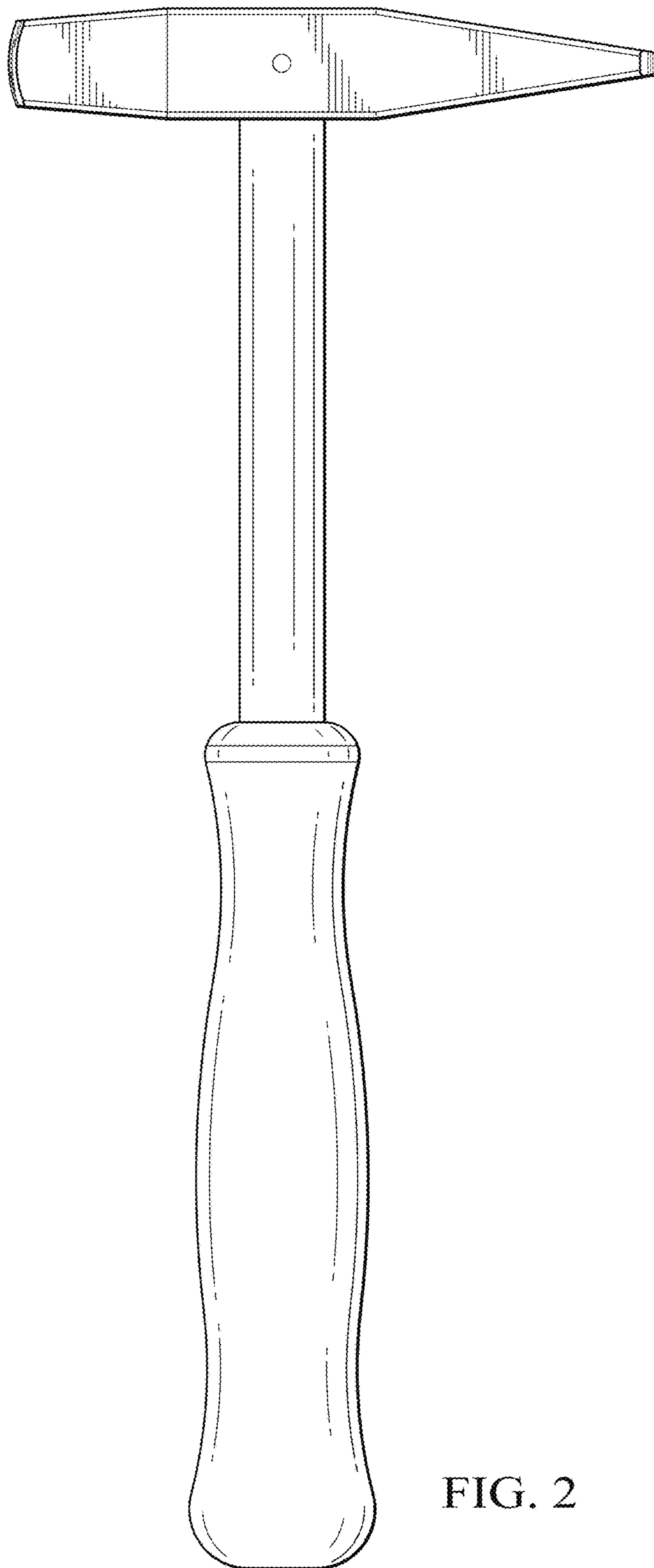


FIG. 2

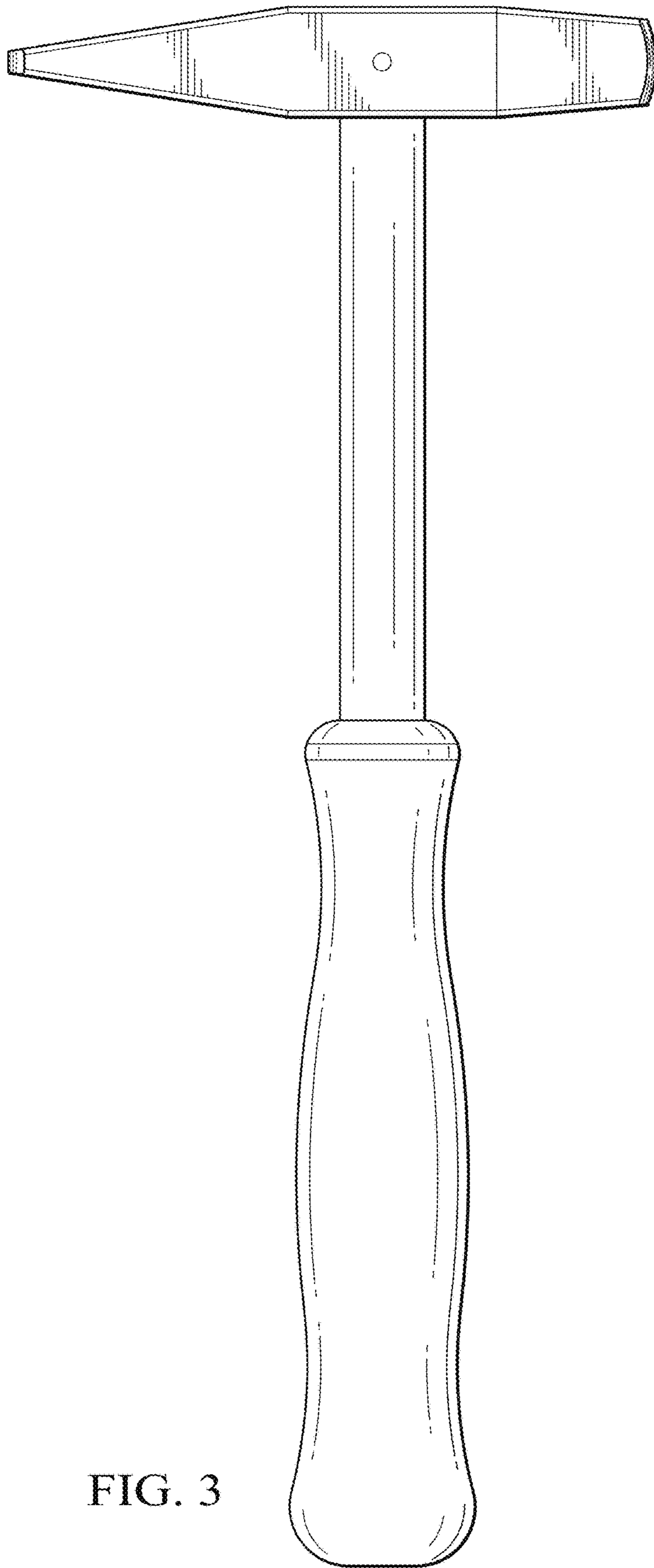


FIG. 3

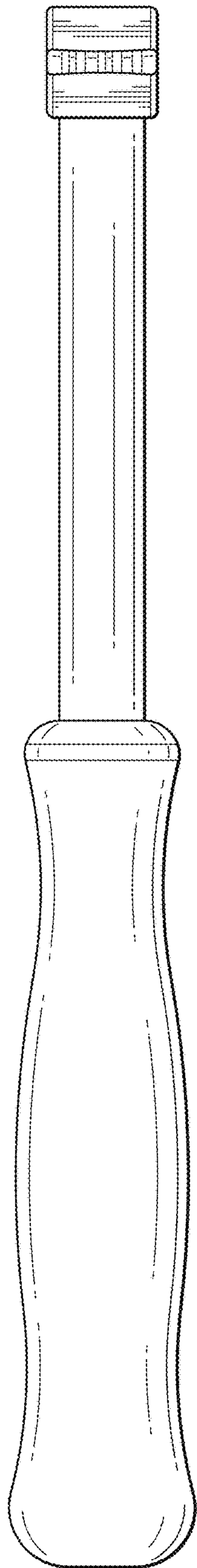


FIG. 4

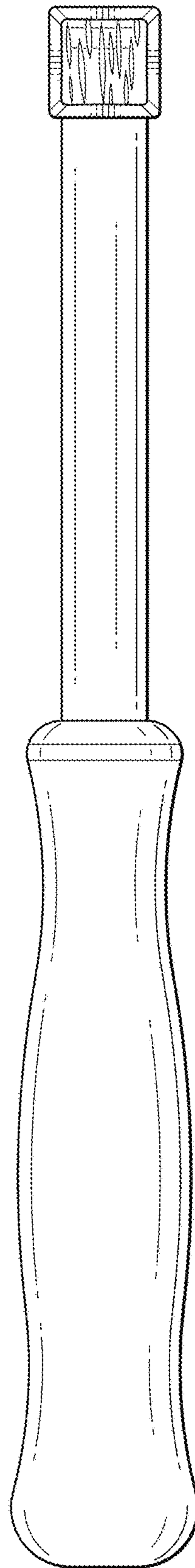


FIG. 5

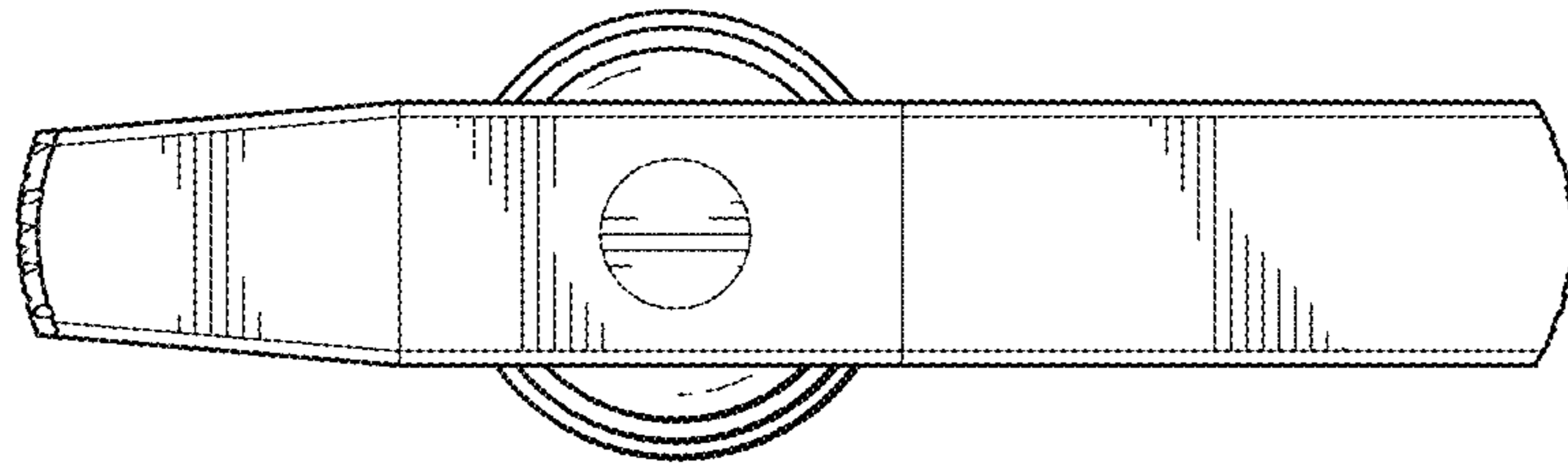


FIG. 6

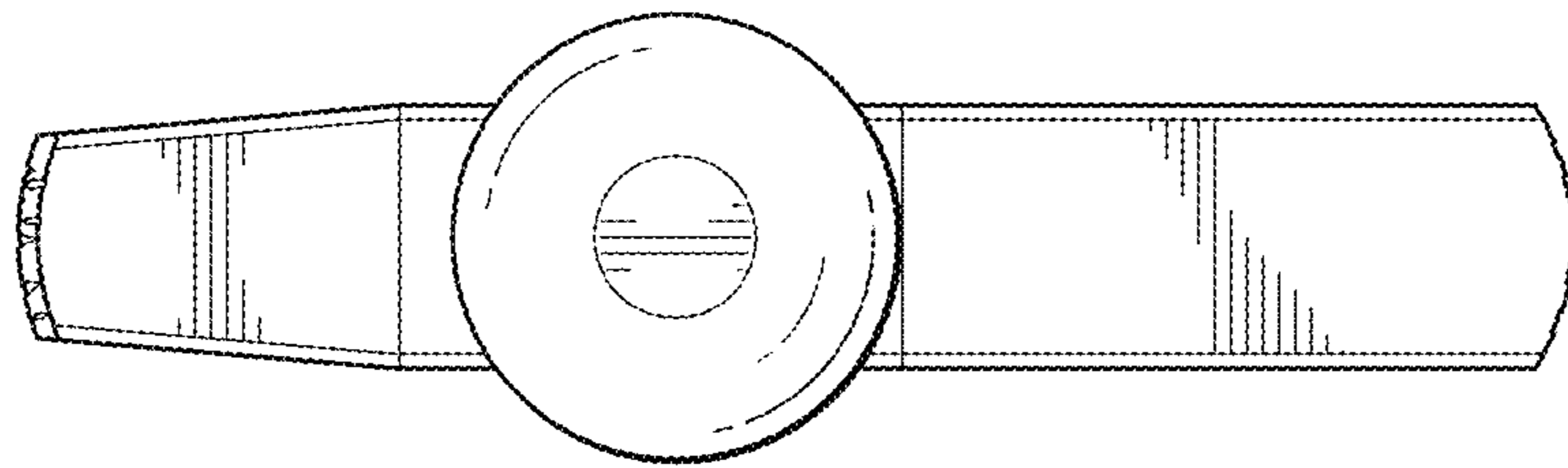


FIG. 7

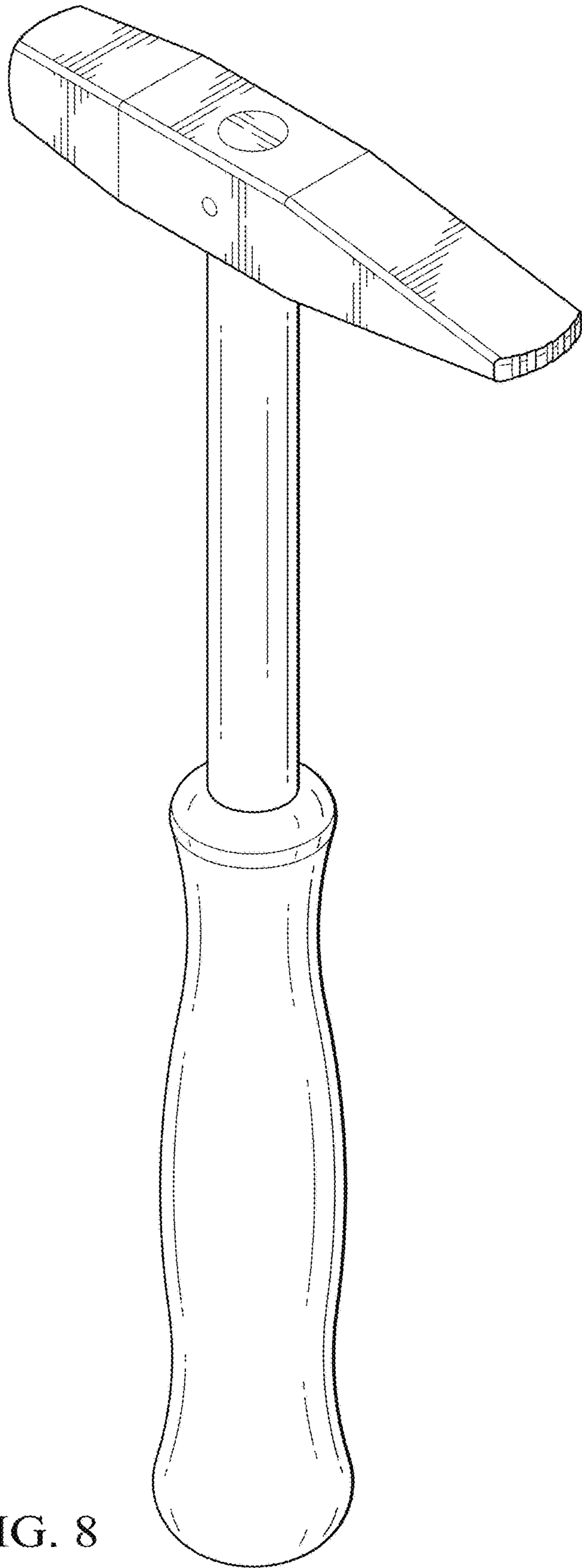


FIG. 8