



US00D809889S

(12) **United States Design Patent**
Bullard

(10) **Patent No.:** **US D809,889 S**

(45) **Date of Patent:** **** Feb. 13, 2018**

- (54) **OVAL TEXTURE HAMMER**
- (71) Applicant: **Wubbers, LLC**, Lubbock, TX (US)
- (72) Inventor: **Patricia Bullard**, Lubbock, TX (US)
- (73) Assignee: **Wubbers, LLC**, Lubbock, TX (US)
- (**) Term: **15 Years**

6,460,210 B1 *	10/2002	Alpert	B25C 11/00
			7/144
7,168,339 B2 *	1/2007	Nau	B25D 1/04
			7/143
D537,696 S *	3/2007	Fraga	D8/75
D601,397 S *	10/2009	Johnsen	D8/75
D729,029 S *	5/2015	Garcia	D8/75
D769,097 S *	10/2016	Welsh	D8/75

* cited by examiner

(21) Appl. No.: **29/581,782**

Primary Examiner — Philip S Hyder

(22) Filed: **Oct. 21, 2016**

(74) *Attorney, Agent, or Firm* — Vincent J. Allen; Krista Y. Chan; Carstens & Cahoon, LLP

Related U.S. Application Data

(63) Continuation of application No. 15/299,967, filed on Oct. 21, 2016.

(51) **LOC (11) Cl.** **08-02**

(52) **U.S. Cl.**
USPC **D8/75**

(58) **Field of Classification Search**
USPC D8/14, 75, 76, 77, 78, 79, 80, 81, 45,
D8/105

CPC ... B25D 1/00; B25D 1/02; B25D 1/04; B25D
1/045; B25D 1/06; B25D 1/12; B25D
1/14; B25D 1/16; B25G 1/01; B25G
1/02; B25G 1/102

See application file for complete search history.

(56) **References Cited**

U.S. PATENT DOCUMENTS

D438,773 S *	3/2001	Pfoertner	D8/75
6,332,376 B1 *	12/2001	Hurley	B25C 11/00
			7/144

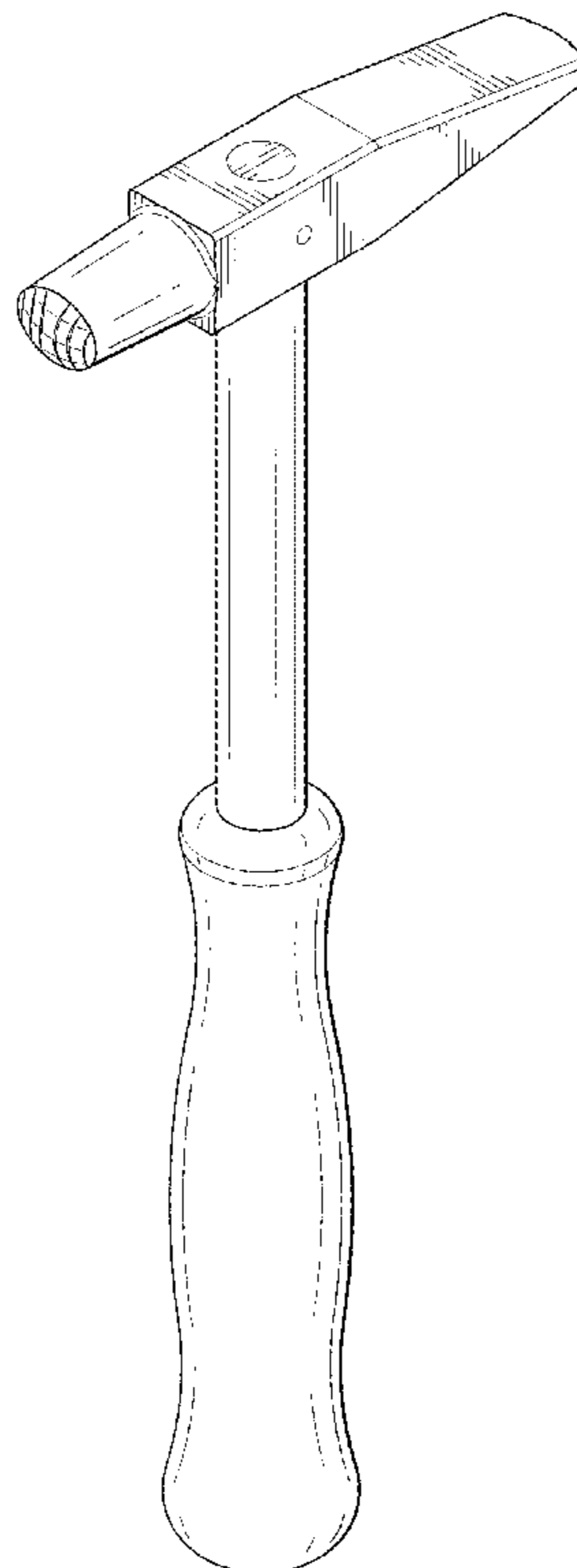
(57) **CLAIM**

The ornamental design for an oval texture hammer, as shown and described.

DESCRIPTION

FIG. 1 is a perspective view of an oval texture hammer; FIG. 2 is a right side view of the oval texture hammer; FIG. 3 is a left side view of the oval texture hammer; FIG. 4 is a back view of the oval texture hammer; FIG. 5 is a front view of the oval texture hammer; FIG. 6 is a top view of the oval texture hammer; FIG. 7 is a bottom view of the oval texture hammer; and, FIG. 8 is a perspective view of the oval texture hammer.

1 Claim, 6 Drawing Sheets



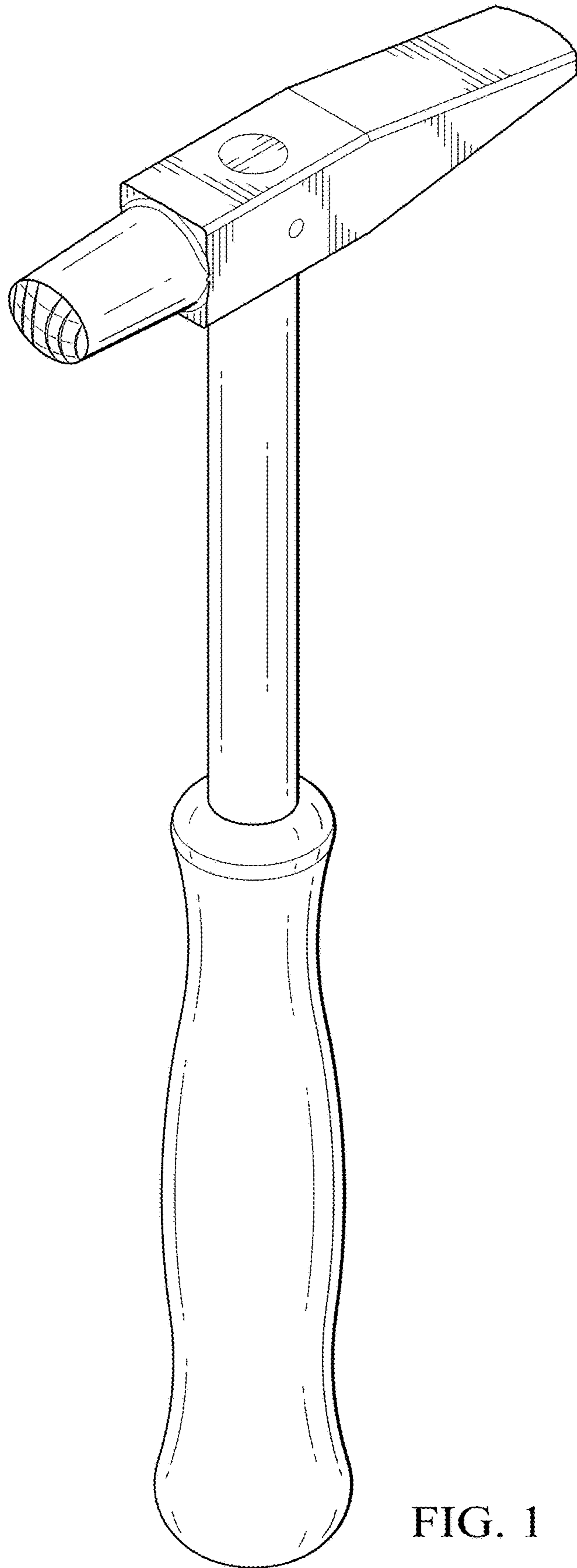


FIG. 1

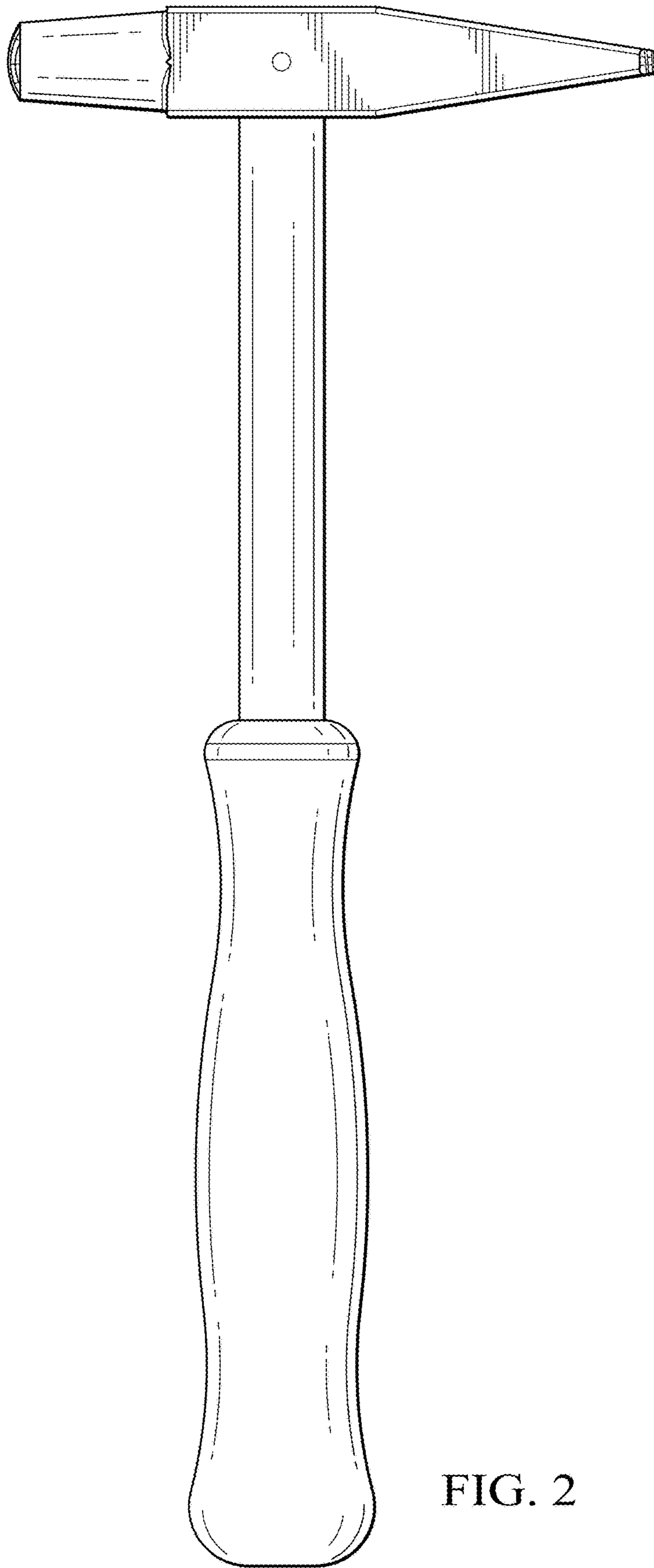


FIG. 2

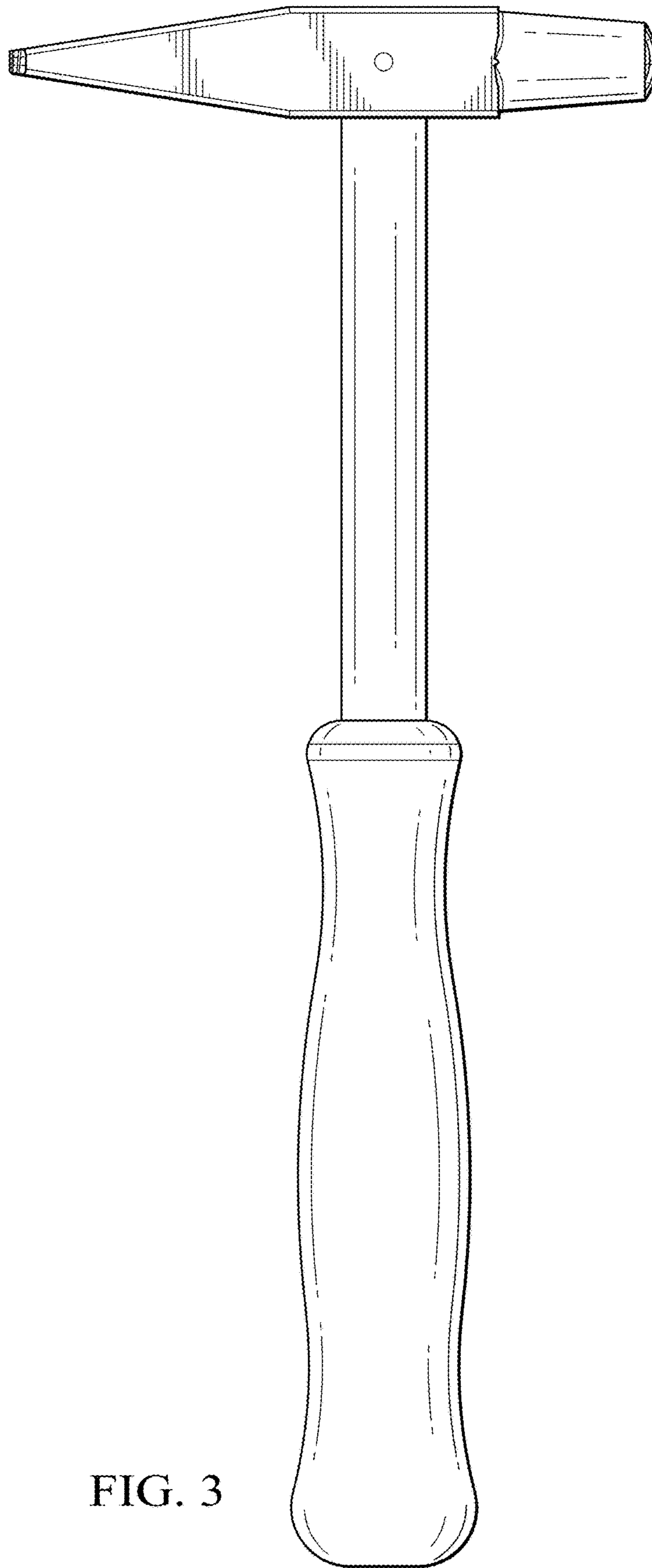


FIG. 3

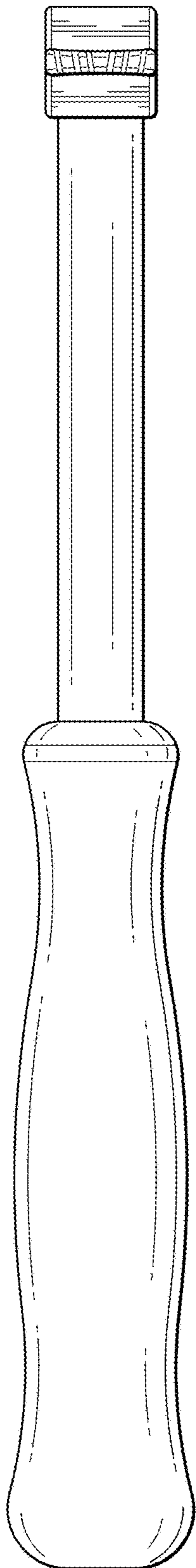


FIG. 4

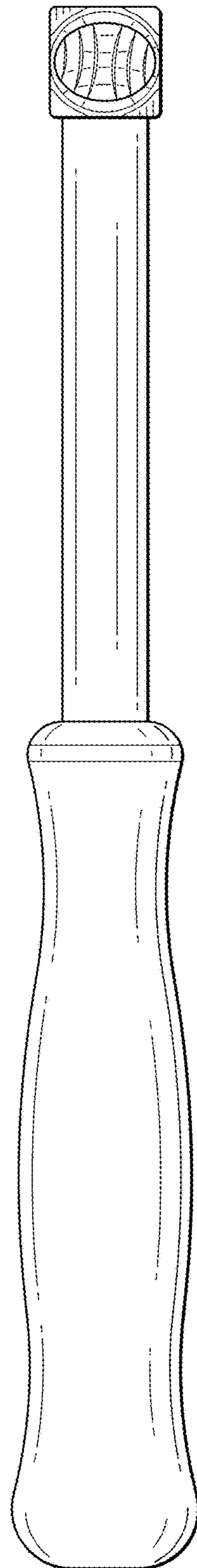


FIG. 5

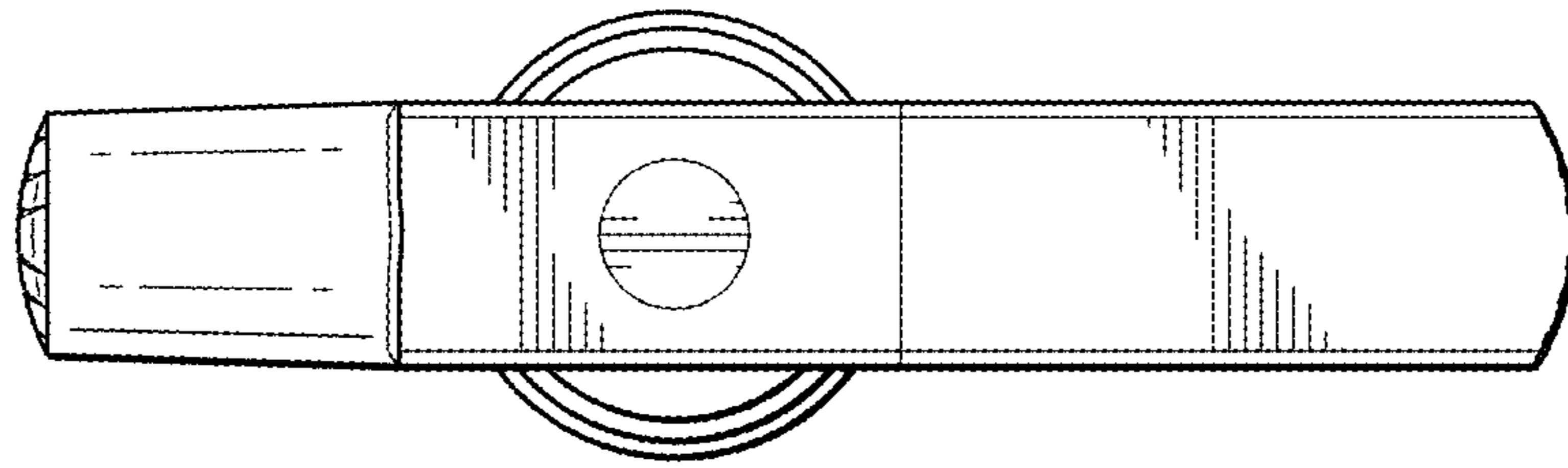


FIG. 6

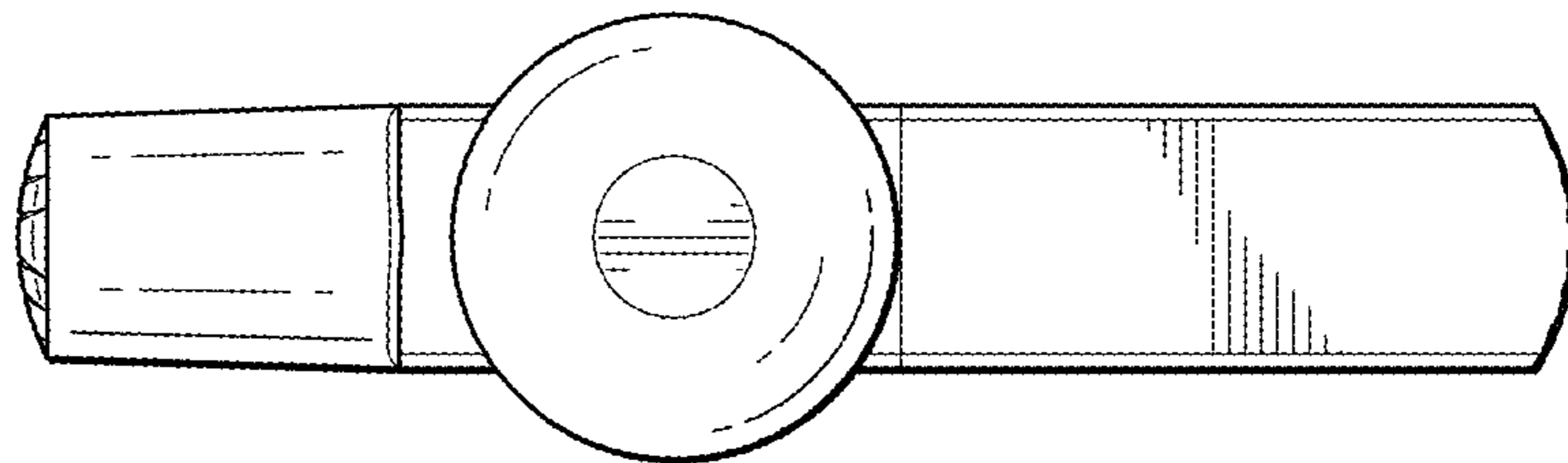


FIG. 7

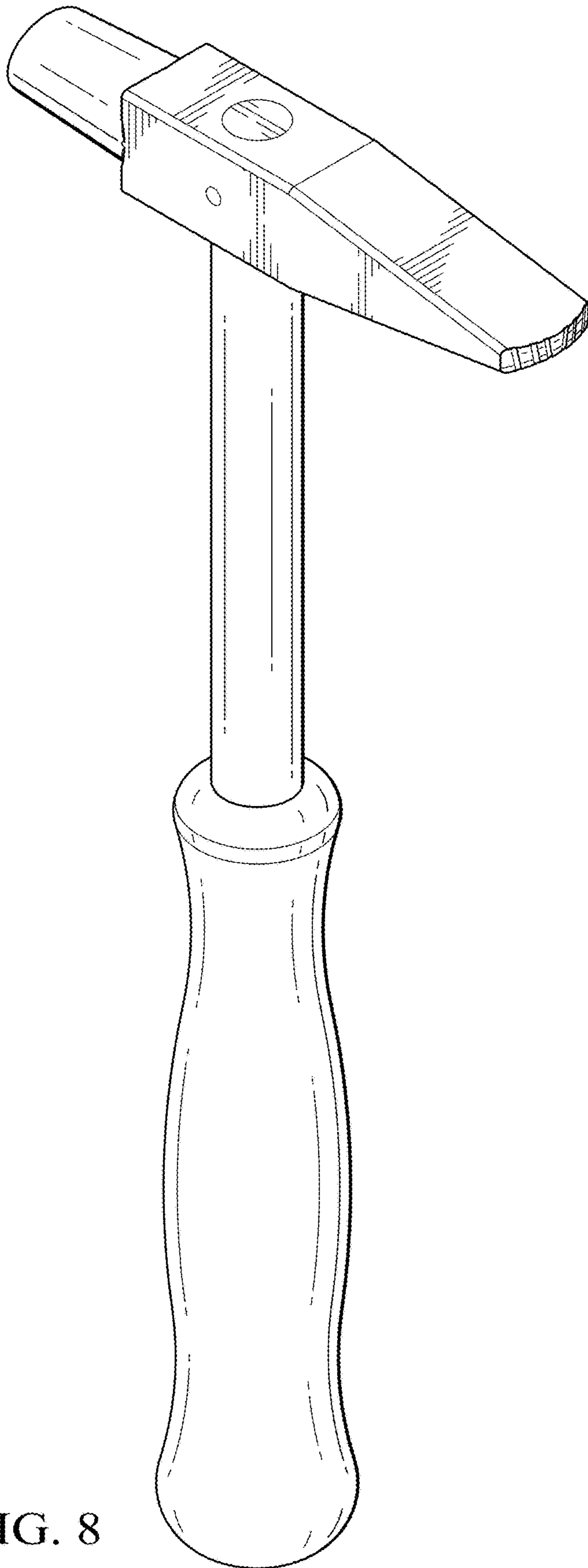


FIG. 8