



US00D809886S

(12) **United States Design Patent** (10) **Patent No.:** **US D809,886 S**
Kiela, II et al. (45) **Date of Patent:** **** Feb. 13, 2018**

(54) BOTTLE OPENER	2,624,489 A *	1/1953 Wishart	B67B 7/44 220/284
(71) Applicant: Curt G. Joa, Inc. , Sheboygan Falls, WI (US)	3,235,123 A	2/1966 Frankenberg	
	D205,370 S *	7/1966 Roeschlaub	81/3.57
	3,542,231 A	11/1970 Wettermann	
(72) Inventors: Gene F. Kiela, II , Plymouth, WI (US); Mark Buckman , Sheboygan Falls, WI (US); James Schwartz , Cascade, WI (US)	3,583,263 A	6/1971 Hengstad	
	3,730,026 A	5/1973 Matsumoto	
	D228,224 S *	8/1973 Schlanger	D8/18
	D232,415 S	8/1974 Matsumoto	
	4,414,865 A	11/1983 Brooks	
	4,433,597 A	2/1984 Rowland	
	D276,691 S	12/1984 Nielsen	
(73) Assignee: Curt G. Joa, Inc. , Sheboygan Falls, WI (US)	4,507,988 A	4/1985 LoFaso	
	D278,950 S *	5/1985 Vaughan	D3/208
	D287,456 S	12/1986 Kobos	
(**) Term: 15 Years	4,760,763 A	8/1988 Trick	
	D303,345 S *	9/1989 Sawatsky	D8/40
(21) Appl. No.: 29/611,721	4,911,038 A	3/1990 Ferrin	
	D335,432 S *	5/1993 Vaughan	D8/34

(Continued)

Primary Examiner — Elizabeth Albert
(74) *Attorney, Agent, or Firm* — Ryan Kromholz & Manion, S.C.

Related U.S. Application Data

(62) Division of application No. 29/563,250, filed on May 3, 2016, now Pat. No. Des. 796,283.

(51) **LOC (11) Cl.** **07-99**

(52) **U.S. Cl.**
USPC **D8/33**

(58) **Field of Classification Search**
USPC D8/14, 16, 18, 19, 33-43, 98, 88, 89,
D8/107, 300, 301, 306-309, DIG. 10
CPC B67B 7/00; B67B 7/04; B67B 7/14; B67B
7/16; B67B 7/18; B67B 7/20; B67B 7/24;
B67B 7/30; B67B 7/34; B67B 7/36;
B67B 7/44
See application file for complete search history.

(57) **CLAIM**

The ornamental design for a bottle opener, as shown and described.

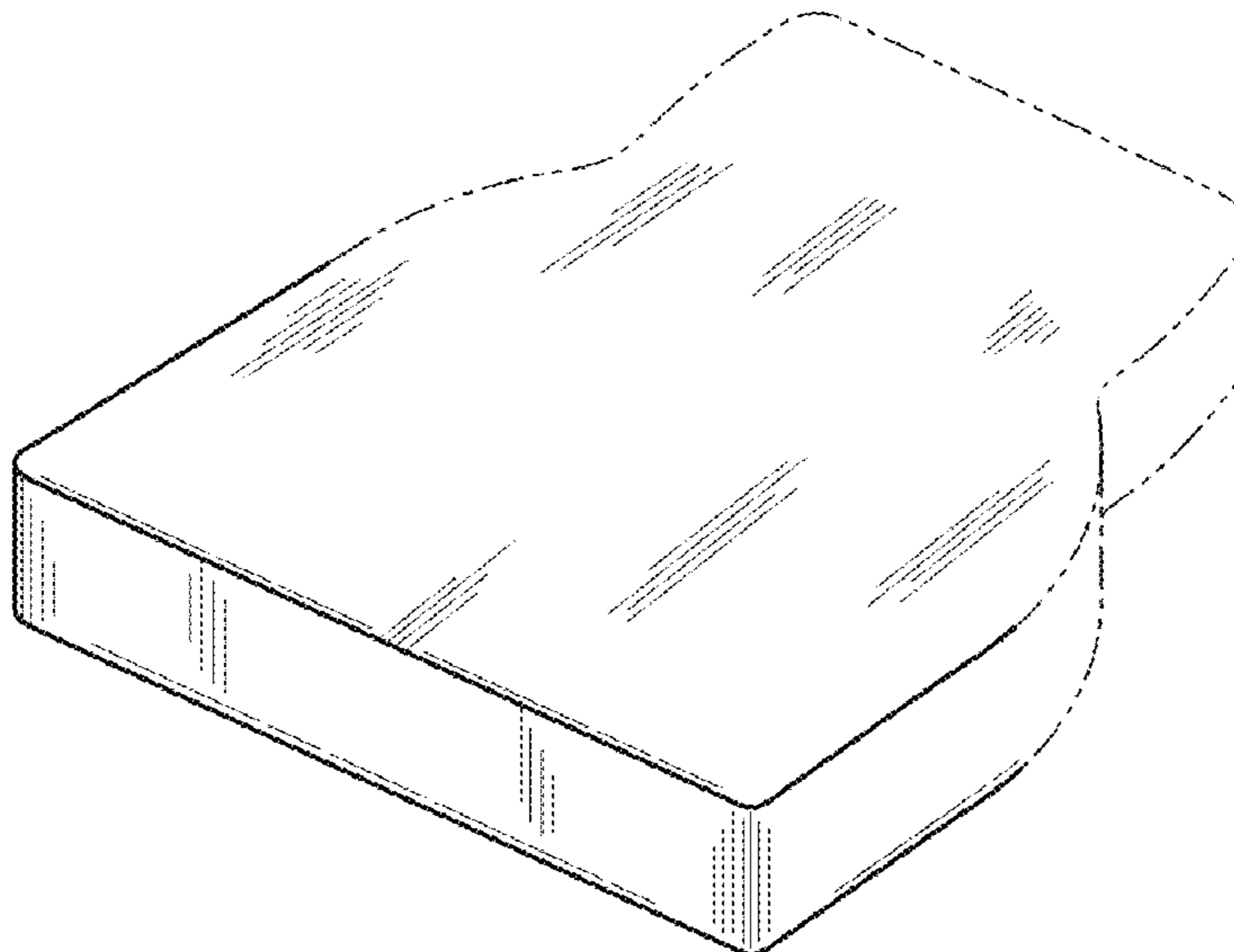
DESCRIPTION

FIG. 1 is a top perspective view;
FIG. 2 is a bottom perspective view;
FIG. 3 is a top view;
FIG. 4 is a bottom view;
FIG. 5 is a left side view;
FIG. 6 is a right side view;
FIG. 7 is a front view;
FIG. 8 is a front section view; and,
FIG. 9 is a back view.
The broken lines show a portion of the bottle opener that forms no part of the claimed design.

(56) **References Cited**
U.S. PATENT DOCUMENTS

807,380 A	12/1905	Hicks
1,366,045 A	1/1921	White
2,222,382 A	11/1940	Truesdale

1 Claim, 2 Drawing Sheets



(56)

References Cited

U.S. PATENT DOCUMENTS

5,911,794 A * 6/1999 Nordhoff B65D 17/165
220/713
D503,318 S 3/2005 Rocco
D553,922 S * 10/2007 Fujino D8/14
D627,614 S * 11/2010 Flint D8/18
D642,374 S * 8/2011 Morrish D3/210
D687,693 S * 8/2013 Caudle D8/40
8,596,167 B2 12/2013 Bartz
D711,707 S * 8/2014 Hoyord D8/18
9,695,027 B2 * 7/2017 Magniet B65D 85/8043

* cited by examiner

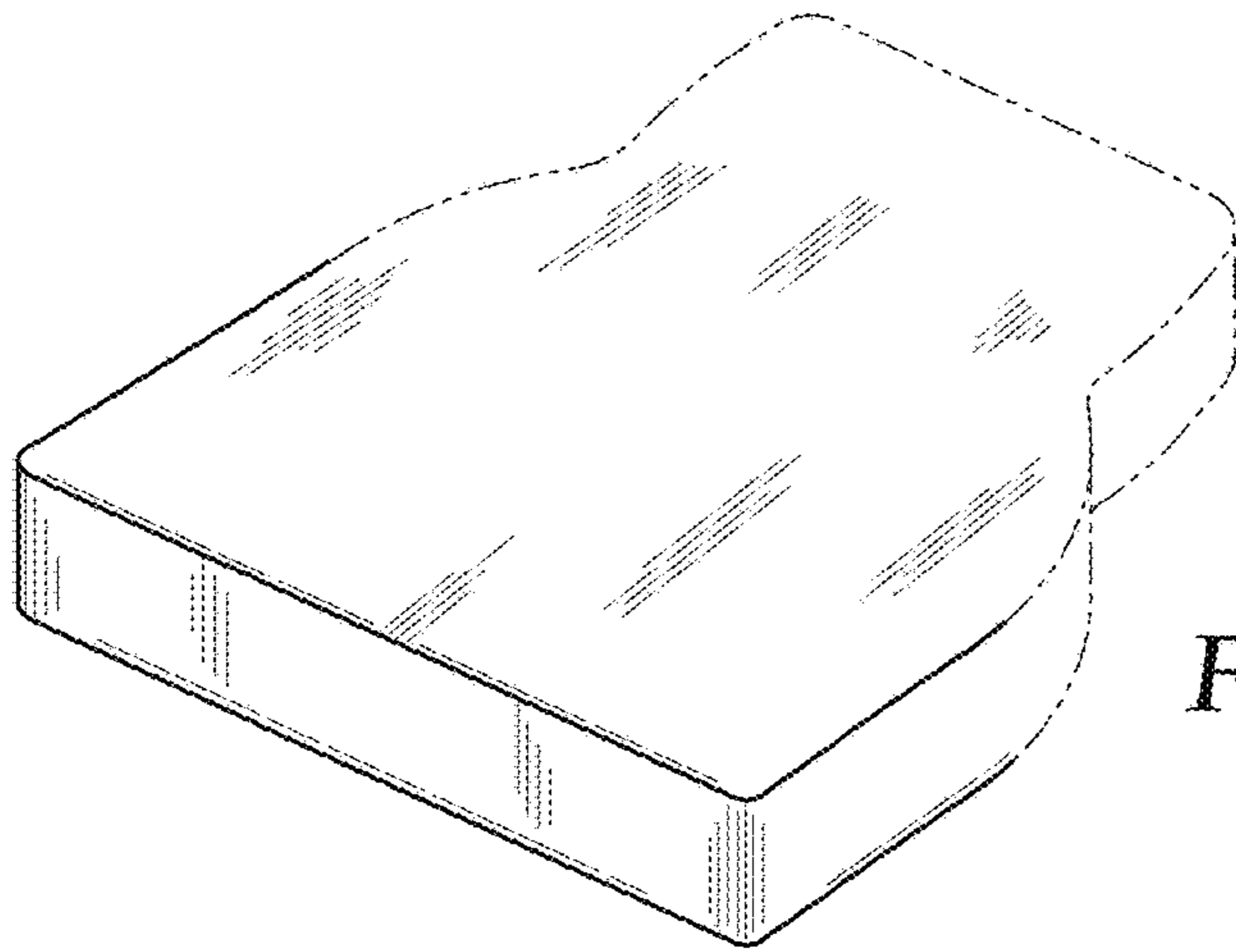


Fig. 1

Fig. 2

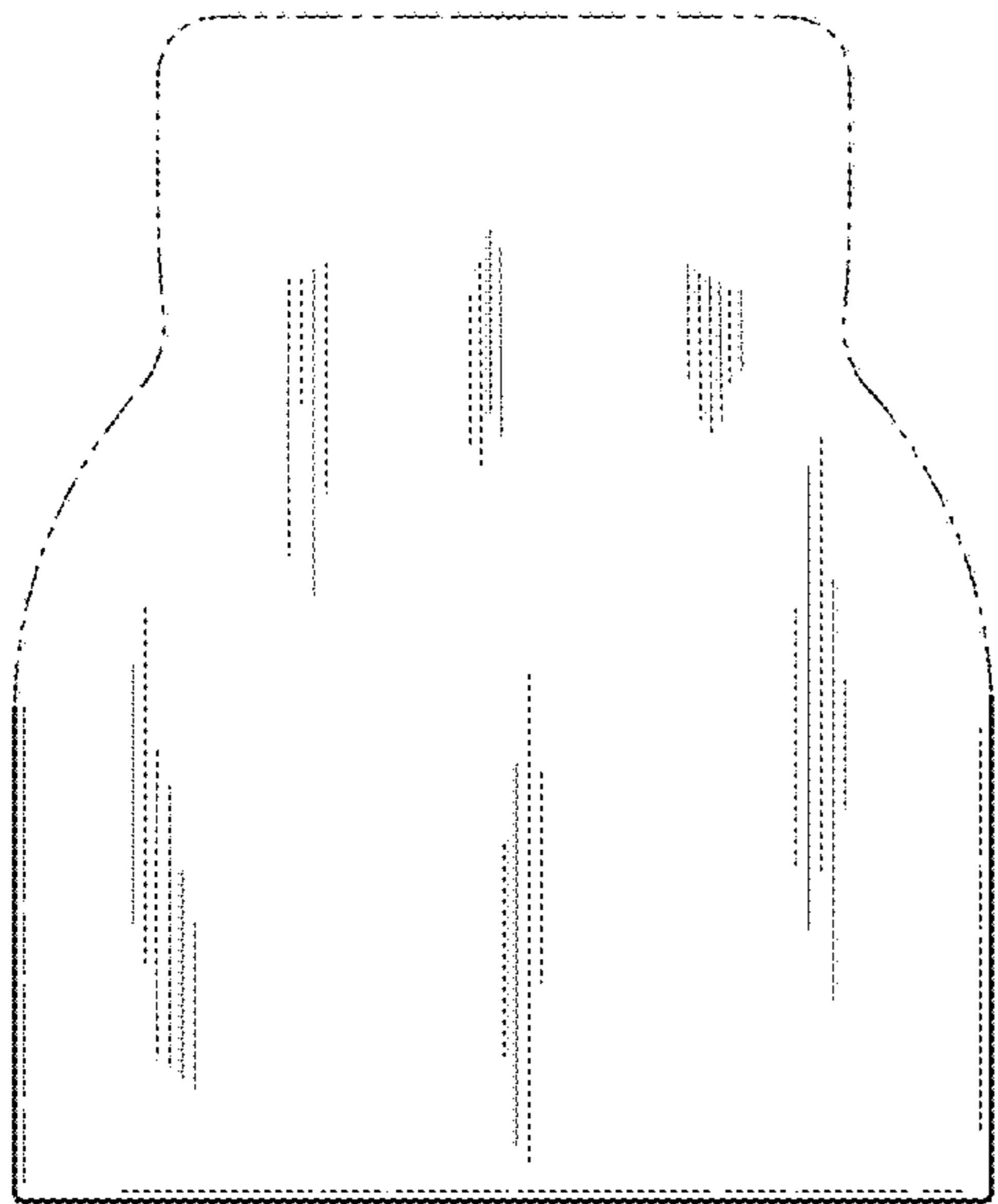
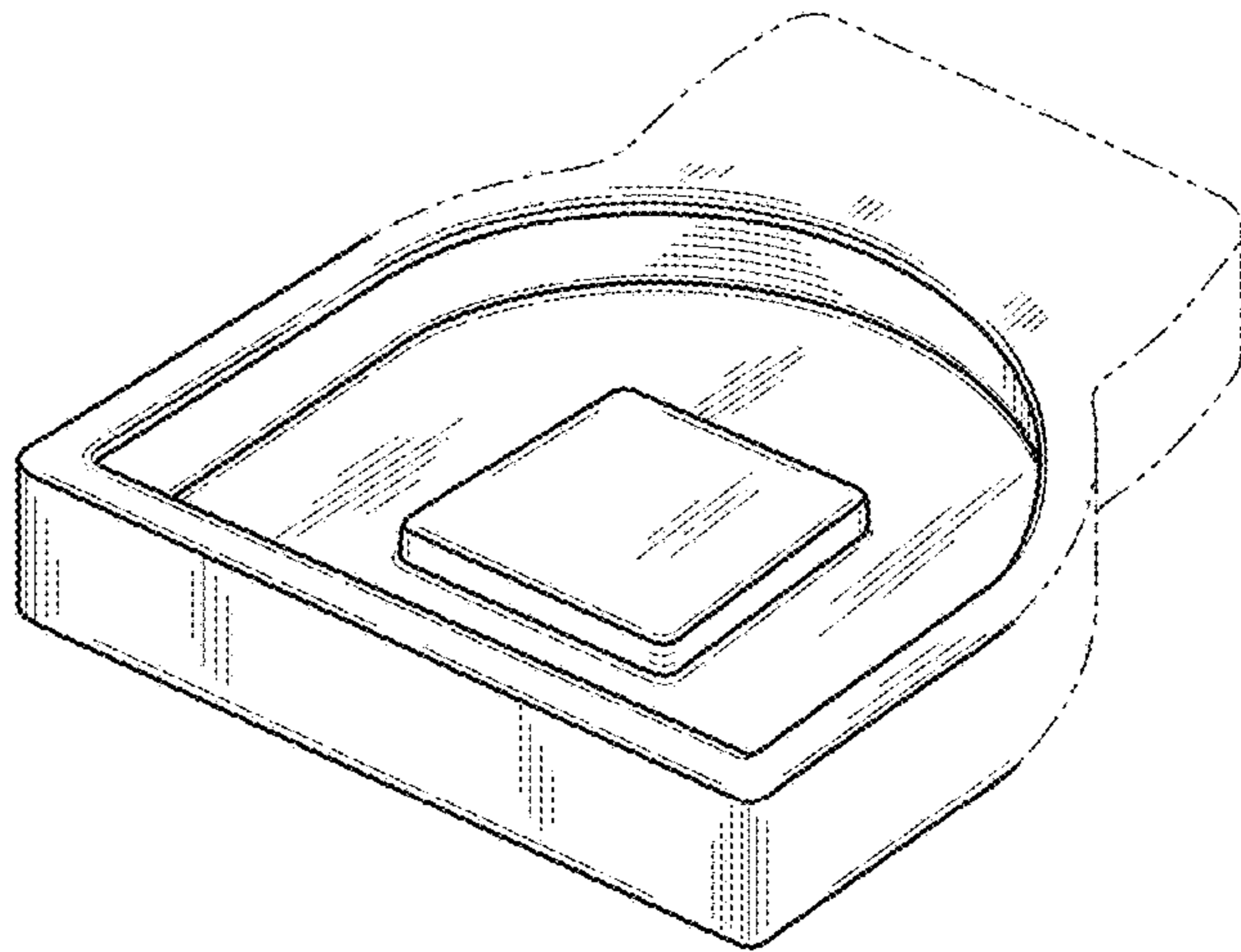


Fig. 3

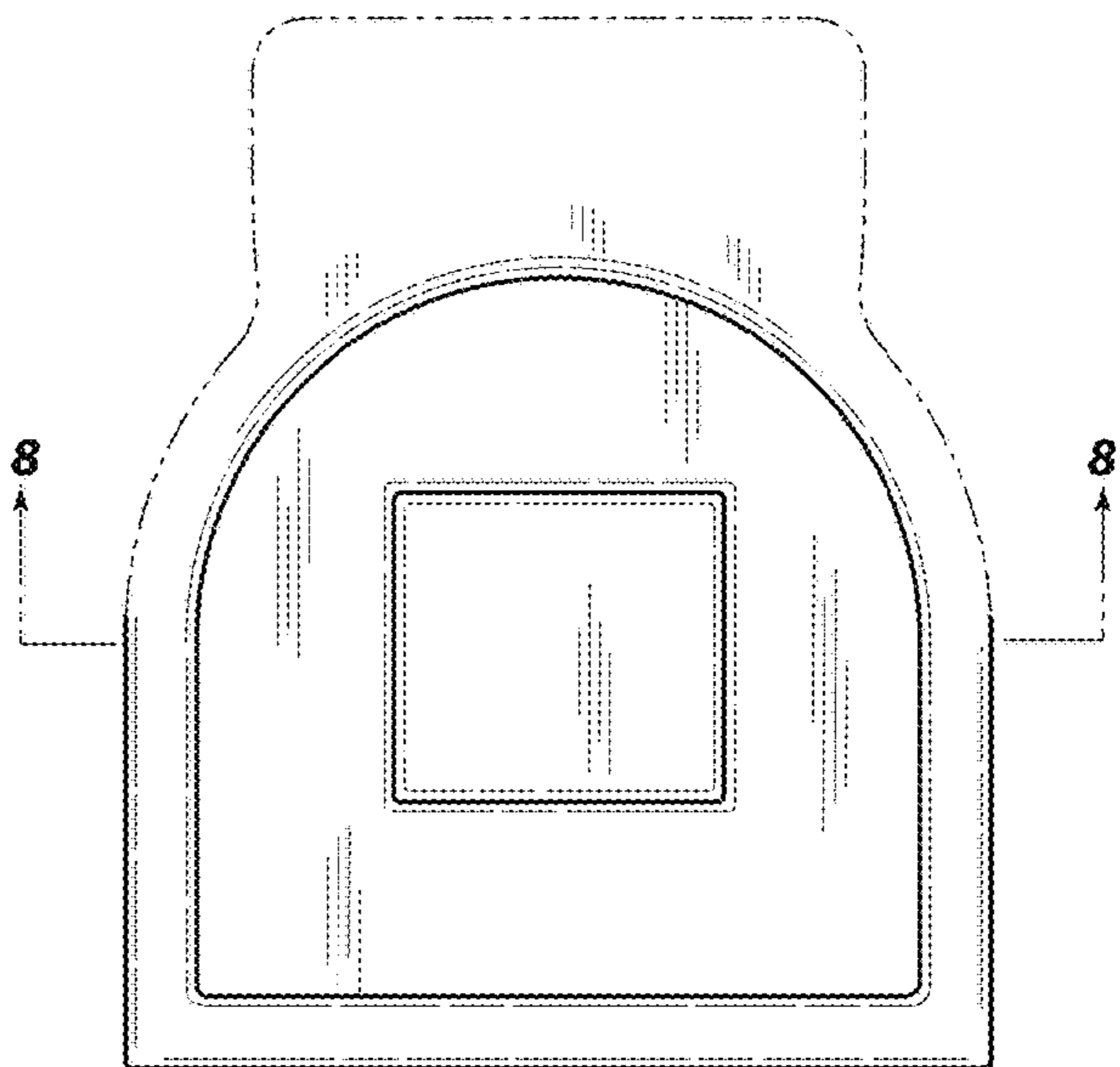


Fig. 4



Fig. 5



Fig. 6



Fig. 7

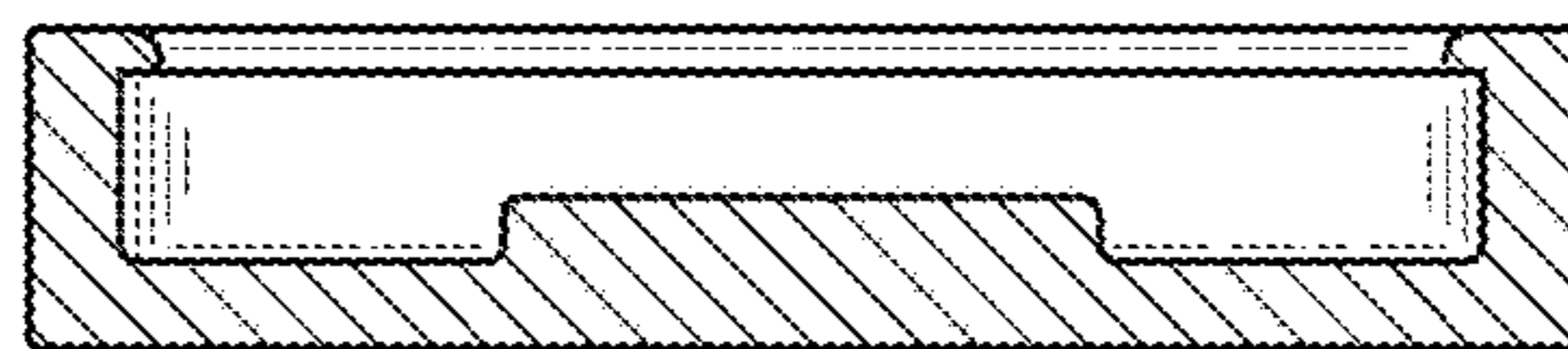


Fig. 8

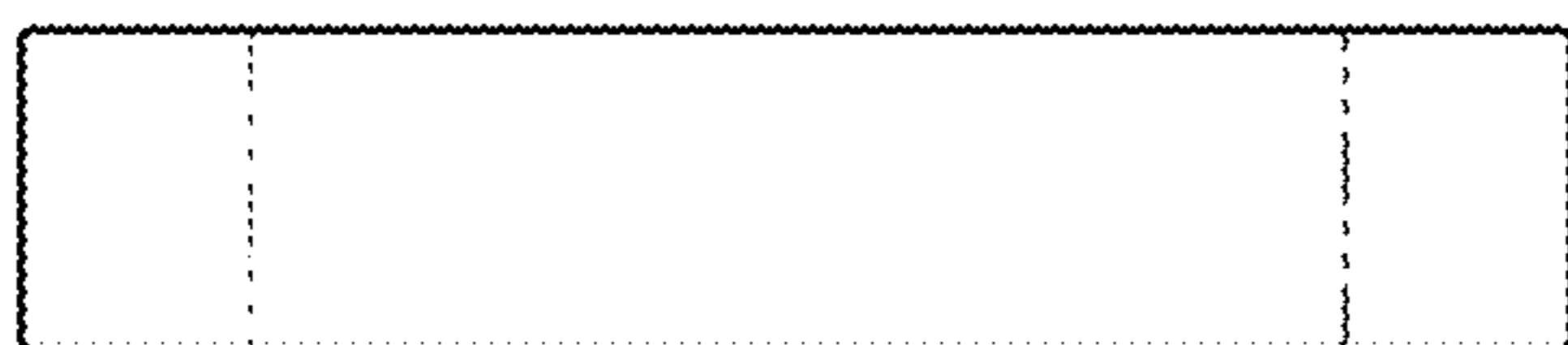


Fig. 9