



US00D809885S

(12) **United States Design Patent**
Kiela, II et al.

(10) **Patent No.:** **US D809,885 S**

(45) **Date of Patent:** **** Feb. 13, 2018**

(54) **BOTTLE OPENER**

(71) Applicant: **Curt G. Joa, Inc.**, Sheboygan Falls, WI (US)

(72) Inventors: **Gene F. Kiela, II**, Plymouth, WI (US);
Mark Buckman, Sheboygan Falls, WI (US); **James Schwartz**, Cascade, WI (US)

(73) Assignee: **Curt G. Joa, Inc.**, Sheboygan Falls, WI (US)

(**) Term: **15 Years**

(21) Appl. No.: **29/611,720**

(22) Filed: **Jul. 25, 2017**

Related U.S. Application Data

(62) Division of application No. 29/563,250, filed on May 3, 2016, now Pat. No. Des. 796,283.

(51) **LOC (11) Cl.** **07-99**

(52) **U.S. Cl.**
USPC **D8/33**

(58) **Field of Classification Search**
USPC D8/14, 16, 18, 19, 33-43, 98
CPC B67B 7/00; B67B 7/04; B67B 7/14; B67B 7/16; B67B 7/18; B67B 7/20; B67B 7/24; B67B 7/30; B67B 7/34; B67B 7/36; B67B 7/44

See application file for complete search history.

(56) **References Cited**

U.S. PATENT DOCUMENTS

807,380 A 12/1905 Hicks
1,366,045 A 1/1921 White

2,222,382 A	11/1940	Truesdale	
3,235,123 A	2/1966	Frankenberg	
3,542,231 A	11/1970	Wettermann	
3,583,263 A	6/1971	Herigstad	
3,730,026 A	5/1973	Matsumoto	
D232,415 S	8/1974	Matsumoto	
4,414,865 A	11/1983	Brooks	
4,433,597 A	2/1984	Rowland	
D276,691 S	12/1984	Nielsen	
4,507,988 A	4/1985	LoFaso	
D287,456 S	12/1986	Kobos	
4,760,763 A	8/1988	Trick	
4,911,038 A	3/1990	Ferrin	
D503,318 S	3/2005	Rocco	
8,596,167 B2	12/2013	Bartz	
D755,596 S *	5/2016	Ranftl D8/40
2017/0327276 A1 *	11/2017	Martini B65D 41/0485

* cited by examiner

Primary Examiner — Elizabeth Albert

(74) *Attorney, Agent, or Firm* — Ryan Kromholz & Manion, S.C.

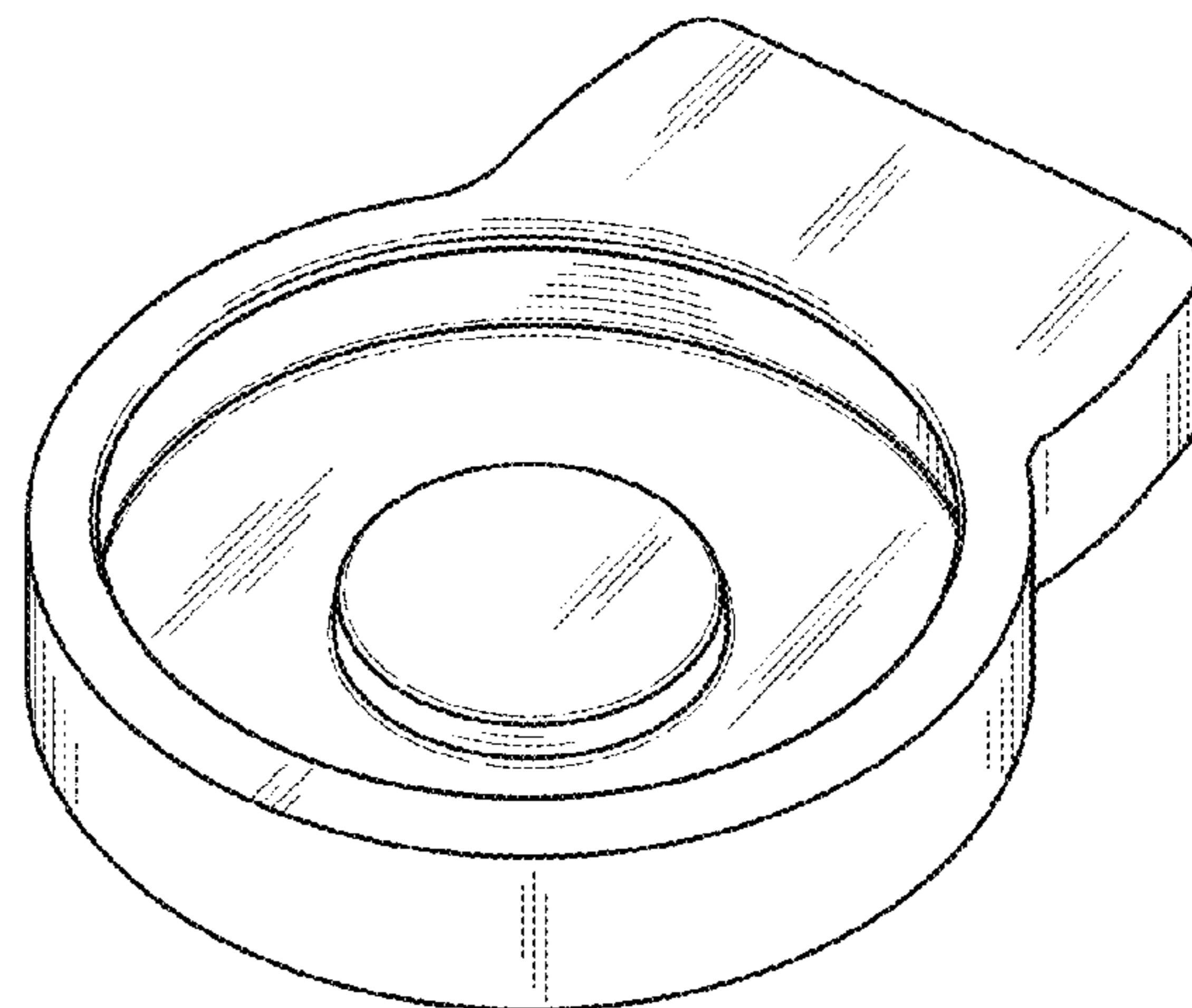
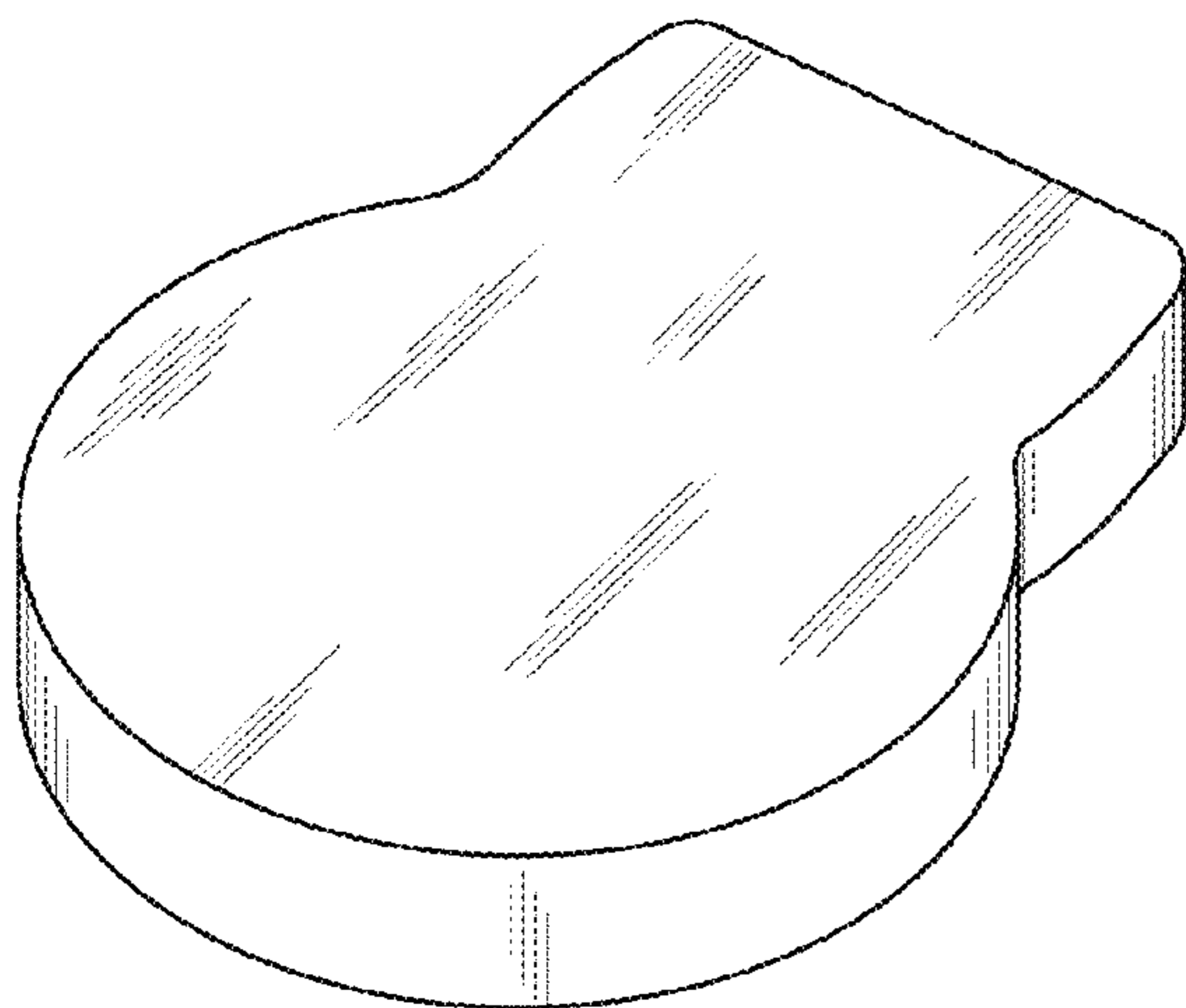
(57) **CLAIM**

The ornamental design for a bottle opener, as shown and described.

DESCRIPTION

FIG. 1 is a top perspective view;
FIG. 2 is a bottom perspective view;
FIG. 3 is a top view;
FIG. 4 is a bottom view;
FIG. 5 is a left side view;
FIG. 6 is a right side view;
FIG. 7 is a front view;
FIG. 8 is a sectional view taken along the line 8-8 in FIG. 4; and,
FIG. 9 is a back view.

1 Claim, 2 Drawing Sheets



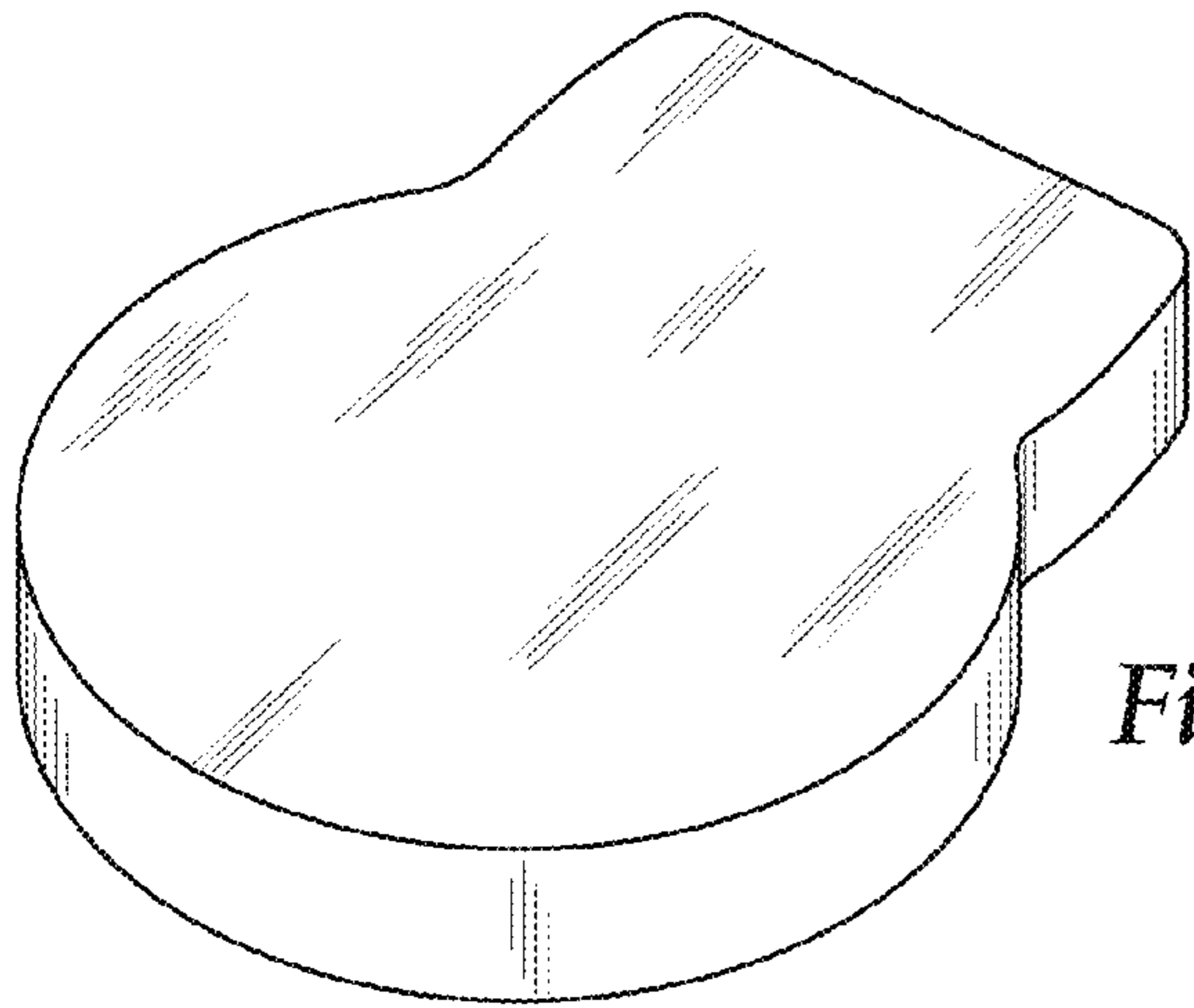


Fig. 1

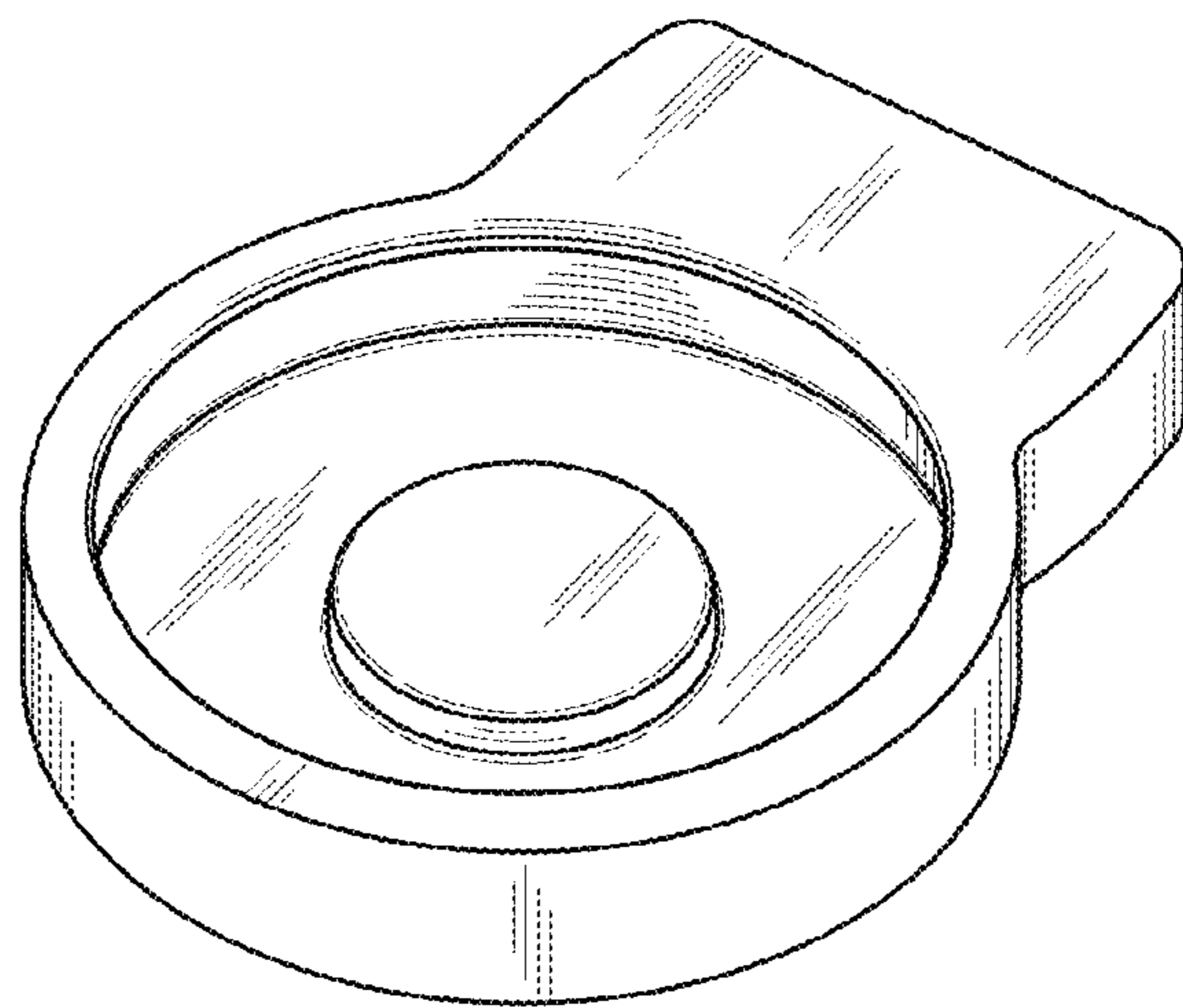


Fig. 2

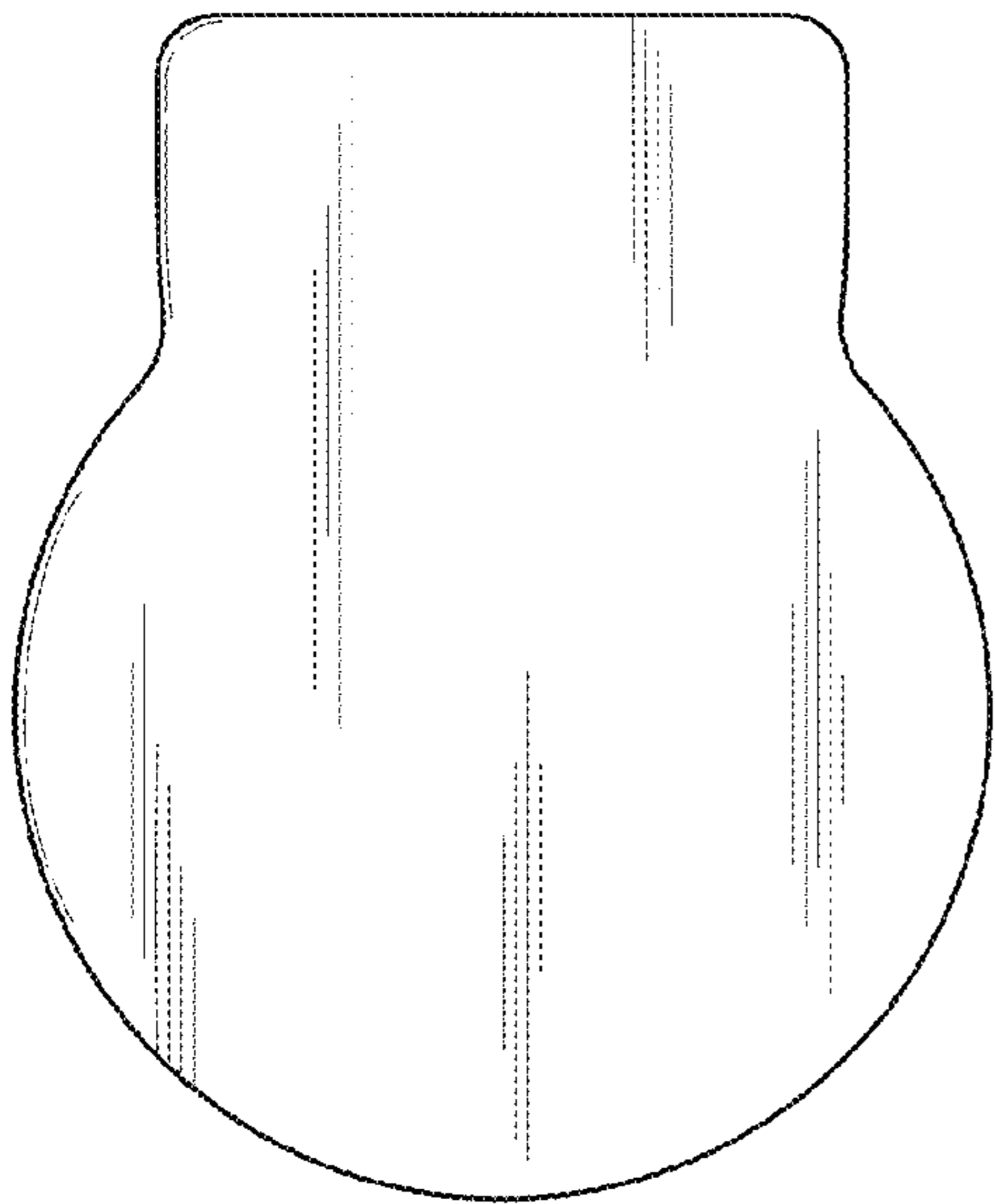


Fig. 3

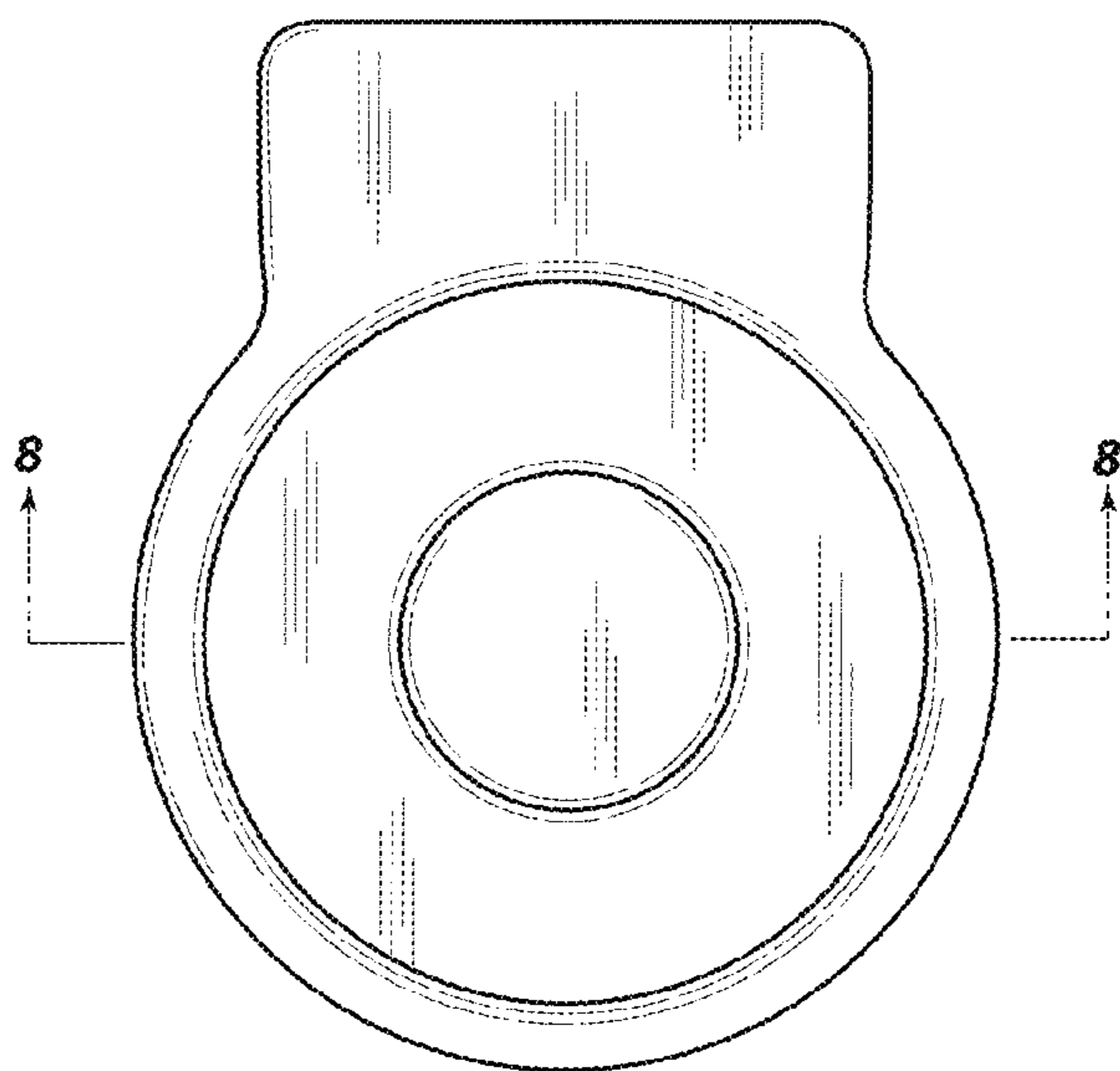


Fig. 4

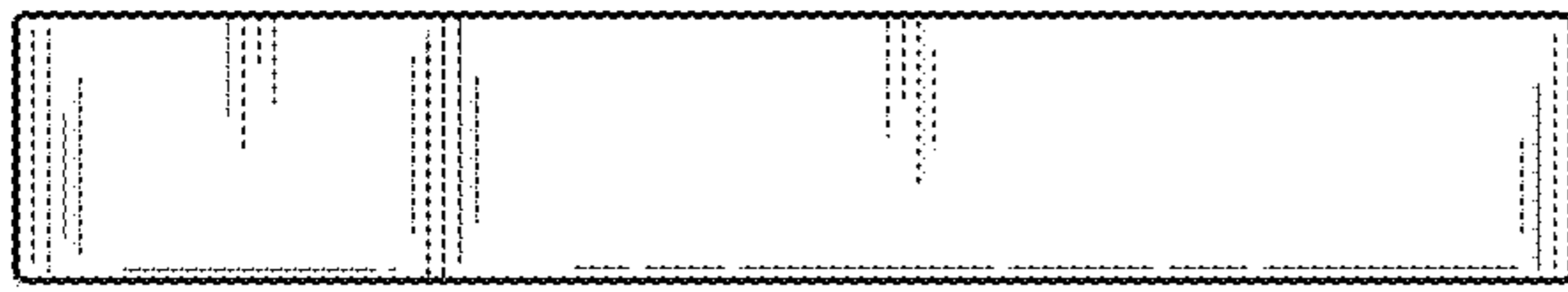


Fig. 5



Fig. 6



Fig. 7



Fig. 8

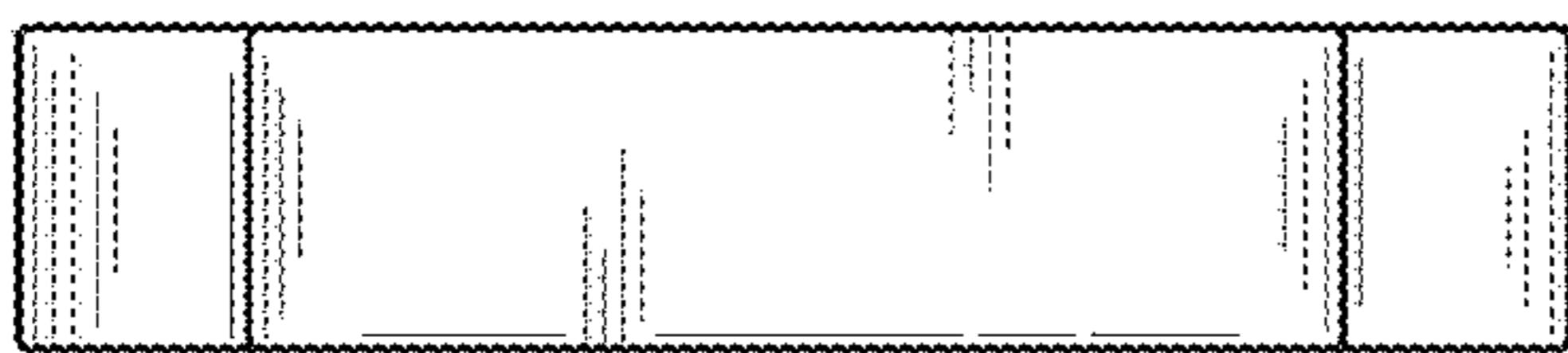


Fig. 9