



US00D809883S

(12) **United States Design Patent** (10) **Patent No.:** **US D809,883 S**
Trudeau (45) **Date of Patent:** **** Feb. 13, 2018**

(54) **SPRINKLER HOUSING REMOVAL TOOL**

(71) Applicant: **William Michael Trudeau**, Upland, CA (US)

(72) Inventor: **William Michael Trudeau**, Upland, CA (US)

(**) Term: **15 Years**

(21) Appl. No.: **29/585,507**

(22) Filed: **Nov. 24, 2016**

Related U.S. Application Data

(63) Continuation-in-part of application No. 14/601,110, filed on Jan. 20, 2015, now abandoned.

(51) **LOC (11) Cl.** **08-05**

(52) **U.S. Cl.**
USPC **D8/14**

(58) **Field of Classification Search**

USPC D8/14, 1, 21, 70, 382
CPC B25B 13/54; B25B 13/481; B25B 13/50;
B25B 13/508; B25B 13/5083; B25B
13/06; Y10T 29/53657; Y10T 29/53687;
Y10T 29/53691; Y10T 29/53952; Y10T
29/53961; Y10T 29/23974; Y10T
29/53983

See application file for complete search history.

(56) **References Cited**

U.S. PATENT DOCUMENTS

1,075,710 A 10/1913 Goodwin
2,787,492 A 4/1957 Gisser
4,059,883 A 11/1977 Osborne
D248,536 S * 7/1978 Domasin D8/21
4,788,894 A 12/1988 Mitschele
4,904,010 A 2/1990 Lacey
6,213,488 B1 4/2001 Filice et al.
6,234,411 B1 5/2001 Walker et al.
6,349,624 B1 * 2/2002 Fahringer B25B 13/48
7/157

6,575,232 B1 6/2003 Nakado et al.
6,732,946 B2 5/2004 Veazie
6,796,013 B2 9/2004 Melker et al.
6,957,477 B1 * 10/2005 Neiman B25B 27/14
29/278
7,185,567 B2 * 3/2007 Ide B25B 13/50
81/124.2
8,230,950 B2 7/2012 Alcov
8,468,667 B2 6/2013 Straubinger et al.
8,997,323 B1 4/2015 Sanders et al.
(Continued)

OTHER PUBLICATIONS

SRT Sprinkler removal tool. www.sprinklerremovaltool.com (downloaded Dec. 31, 2015).

(Continued)

Primary Examiner — Phillip S Hyder

(74) *Attorney, Agent, or Firm* — Loza & Loza, LLP; Heidi Eisenhut

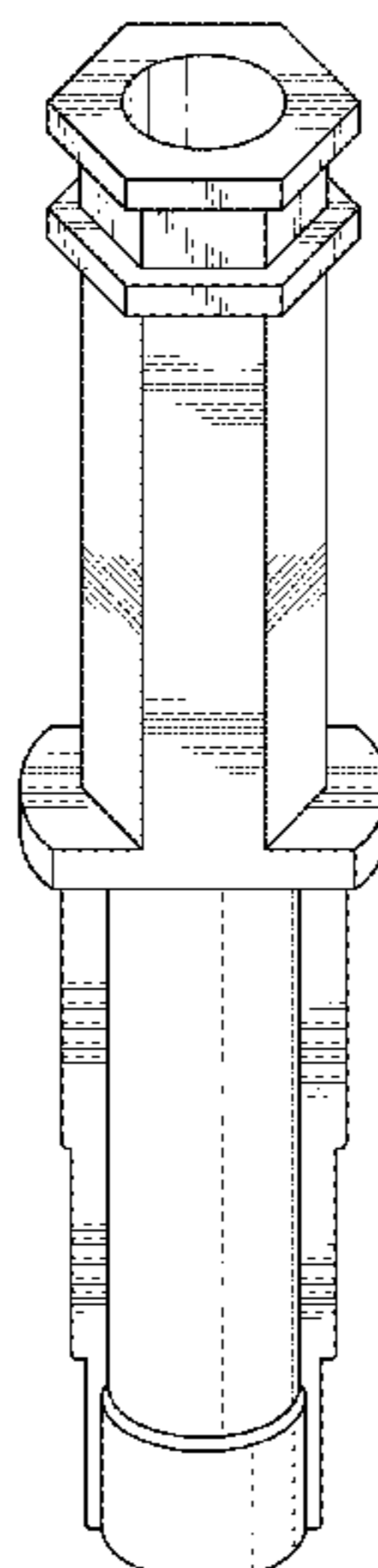
(57) **CLAIM**

The ornamental design for a sprinkler housing removal tool, as shown and described.

DESCRIPTION

FIG. 1 is a front top left perspective of a sprinkler housing removal tool of the present invention; FIG. 2 is a top plan view of the sprinkler housing removal tool of FIG. 1; FIG. 3 is a bottom plan view of the sprinkler housing removal tool of FIG. 1; and, FIG. 4 is a first side elevation view of the sprinkler housing removal tool of FIG. 1, the second side being a mirror image thereof. The broken lines in FIG. 3 depict a portion of the sprinkler housing removal tool that is not considered part of the claimed design.

1 Claim, 2 Drawing Sheets



(56)

References Cited

U.S. PATENT DOCUMENTS

8,997,723	B2 *	4/2015	Glugla	F02D 41/008 123/406.23
9,364,941	B2	6/2016	Olkowski, Jr.	
2003/0019950	A1	1/2003	Veazie	
2003/0079574	A1	5/2003	Llamas et al.	
2003/0218078	A1	11/2003	Veazie	
2004/0088844	A1	5/2004	Klann	
2006/0123539	A1	6/2006	Mayer	
2009/0013832	A1	1/2009	Duffey et al.	
2013/0180369	A1	7/2013	Dolan	
2013/0333217	A1	12/2013	Curry et al.	
2014/0310934	A1	10/2014	Olkowski, Jr.	
2015/0202748	A1	7/2015	Trudeau	

OTHER PUBLICATIONS

The RQT Tool Sprinkler removal tool. "Leave the shovel in the shed." www.lawnsite.com (downloaded Dec. 31, 2015).
Picture of RQT Device (Dec. 31, 2015).

* cited by examiner

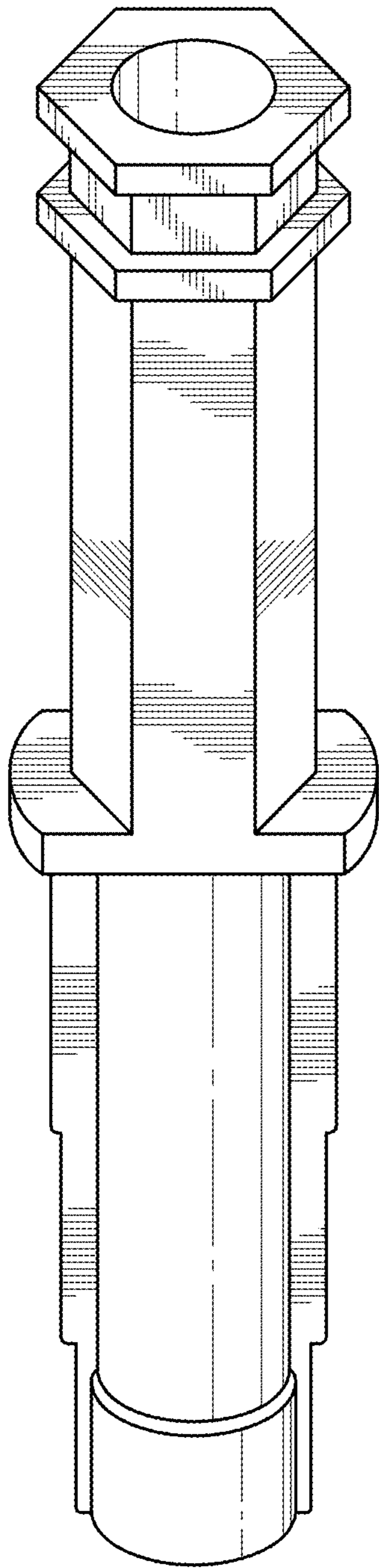


FIG. 1

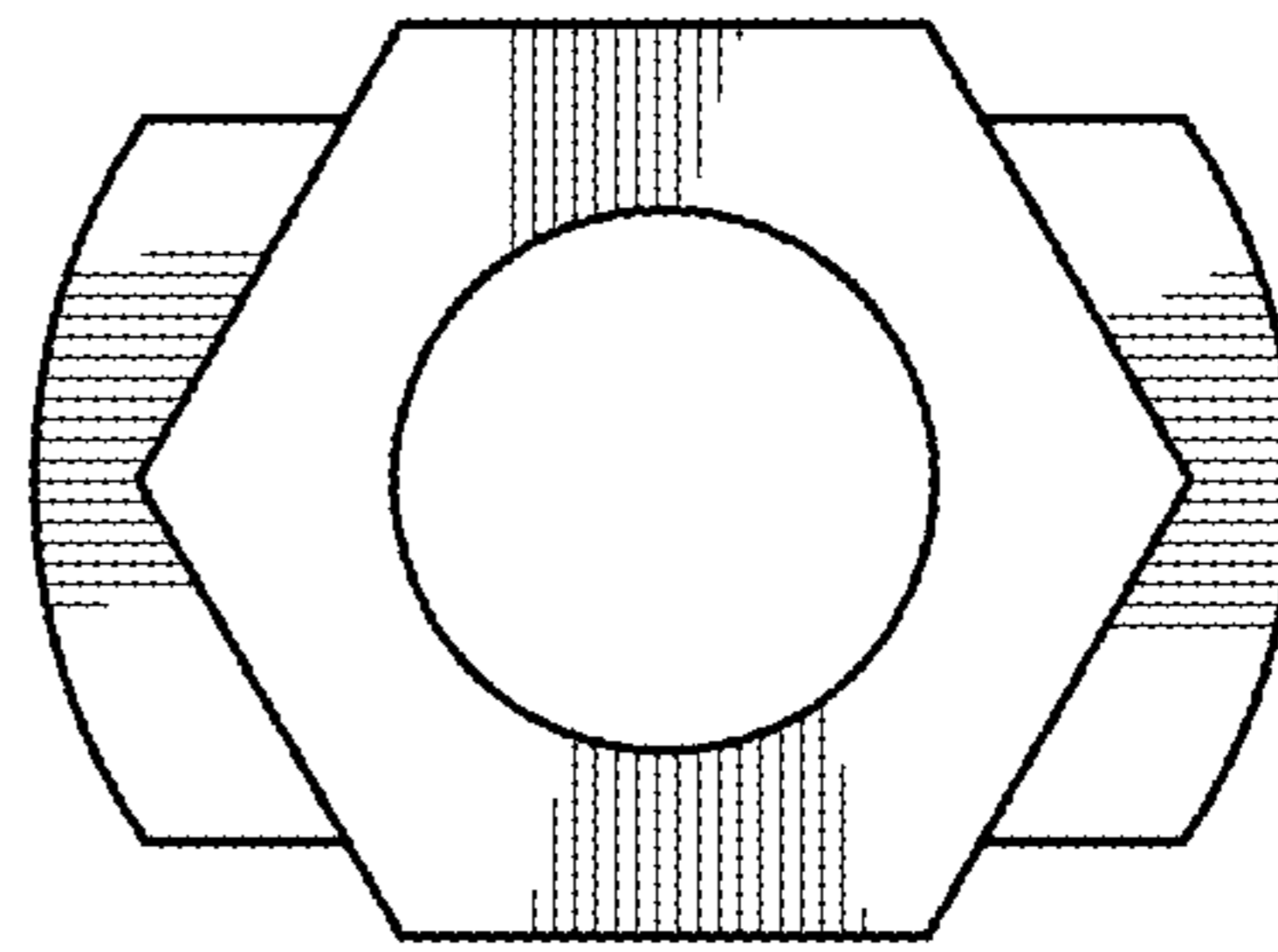


FIG. 2

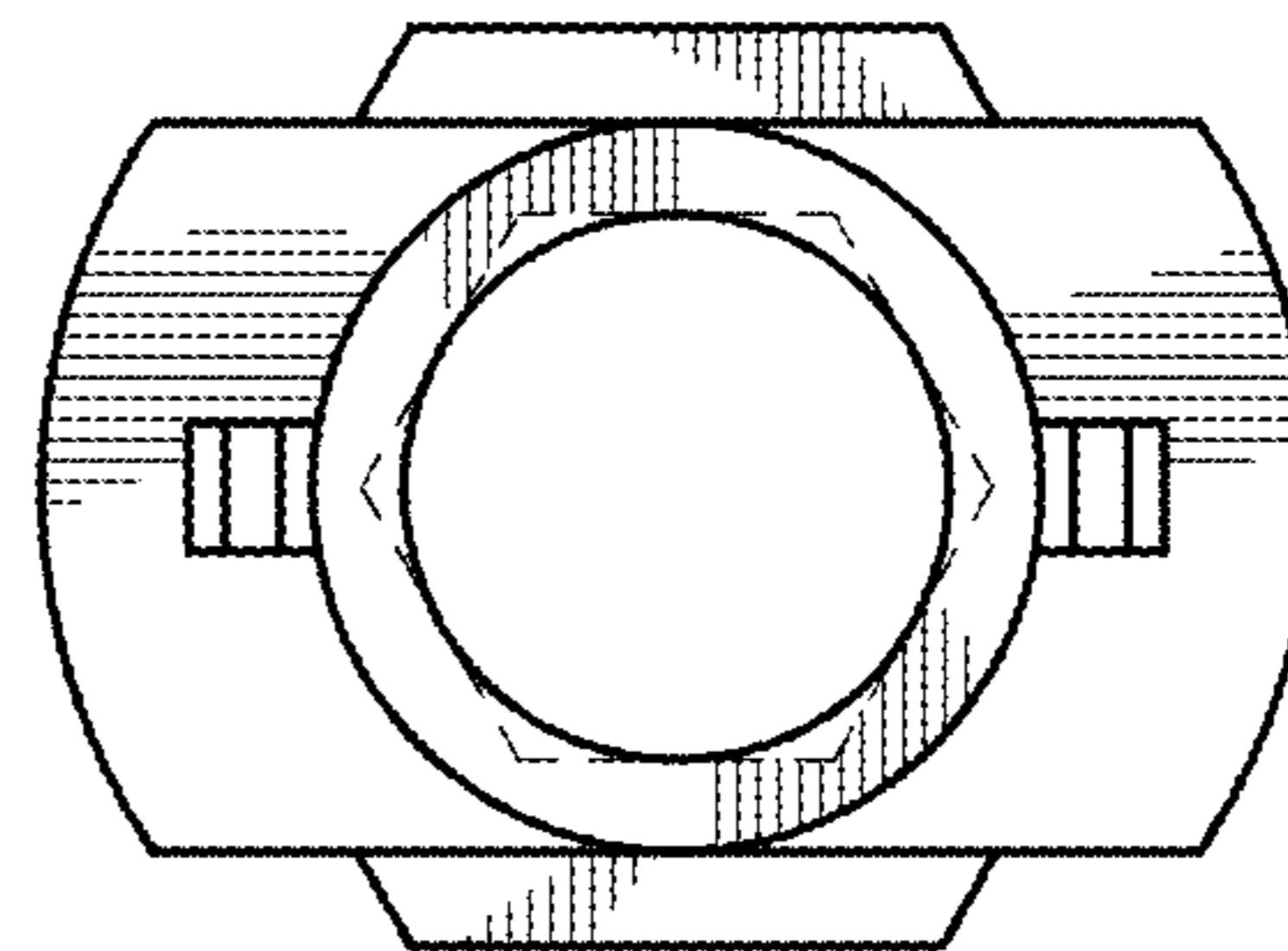


FIG. 3

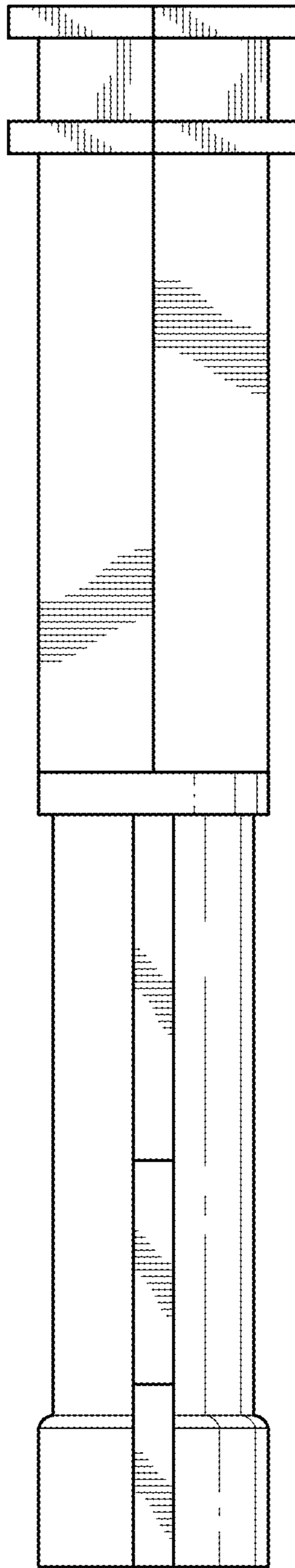


FIG. 4