



US00D809882S

(12) **United States Design Patent** (10) **Patent No.:** **US D809,882 S**  
**Rosenbaum et al.** (45) **Date of Patent:** **\*\* Feb. 13, 2018**

(54) **SPREADER** 2,691,530 A 10/1954 Krueger  
3,096,984 A 7/1963 Garrison  
(71) Applicant: **CHAPIN MANUFACTURING, INC.,** 3,157,402 A 11/1964 Love, Jr.  
Batavia, NY (US) 3,227,461 A 1/1966 Love, Jr.  
3,993,225 A 11/1976 Manni  
(72) Inventors: **Neil Jonathan Rosenbaum,** 4,140,280 A 2/1979 Allen et al.  
Fayetteville, NY (US); **Howard Scott** 5,119,993 A \* 6/1992 Gunzel, Jr. .... A01C 15/02  
**Ryan,** Skaneateles, NY (US); **Fred A.** 239/600  
**Marconi, Jr.,** Erieville, NY (US) 5,123,598 A 6/1992 Courtney et al.  
D327,823 S \* 7/1992 Demarest ..... D15/13  
(Continued)

(73) Assignee: **CHAPIN MANUFACTURING, INC.,**  
Batavia, NY (US)

(\*\*) Term: **15 Years**

(21) Appl. No.: **29/552,008**

(22) Filed: **Jan. 19, 2016**

(51) **LOC (11) Cl.** ..... **08-01**

(52) **U.S. Cl.**  
USPC ..... **D8/2; D15/13**

(58) **Field of Classification Search**  
USPC ..... D15/13; D8/2; D32/17; 239/654, 663,  
239/686, 526, 375, 379, 652, 653, 683,  
239/154, 687, 668, 681; 406/102, 98,  
406/135; 222/75, 324, 473, 175  
CPC ..... A01C 15/02; A01C 15/00; A01C 15/04;  
A01C 15/006; A01C 7/00; A01C 7/02;  
E01C 19/203; E01C 19/205; E01C  
2019/206; E01H 10/007; A01M 9/003;  
A01M 9/0007; A01M 9/038; A01M  
9/0046

See application file for complete search history.

(56) **References Cited**

**U.S. PATENT DOCUMENTS**

502,604 A 8/1893 Bollinger  
579,049 A 3/1897 Eltzroth  
649,953 A 5/1900 Rinderknecht  
1,948,668 A 2/1934 Kuchler  
2,514,962 A 7/1950 McElhatton

**OTHER PUBLICATIONS**

Chapin Hand Crank Spreader—1.5L, Model #84150, www.chapinmfg.com, printed Dec. 4, 2015.

(Continued)

*Primary Examiner* — Mark Goodwin

(74) *Attorney, Agent, or Firm* — Lukacher Law Group;  
Kenneth J. Lukacher

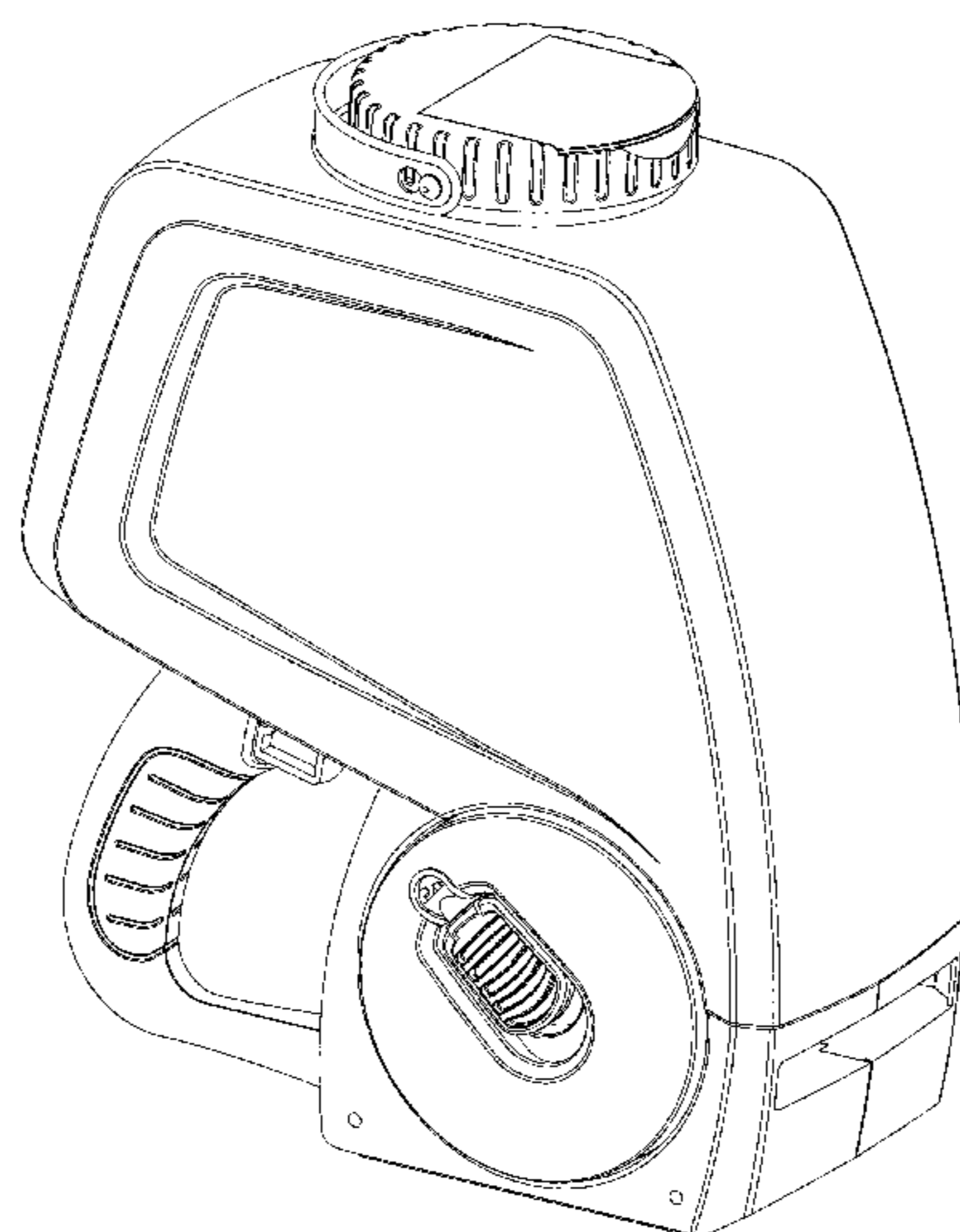
(57) **CLAIM**

The ornamental design for a spreader, as shown and described.

**DESCRIPTION**

FIG. 1 is a perspective view looking downwardly from the left of a spreader along the front thereof in accordance with our design;  
FIG. 2 is a perspective view looking downwardly from the left along the rear thereof in accordance with our design;  
FIG. 3 is a front view thereof;  
FIG. 4 is a rear view thereof;  
FIG. 5 is a right elevational view thereof;  
FIG. 6 is a left elevational view thereof;  
FIG. 7 is a top view thereof;  
FIG. 8 is a bottom view thereof; and,  
FIG. 9 is a perspective view looking downwardly from the bottom thereof.

**1 Claim, 9 Drawing Sheets**



(56)

**References Cited**

U.S. PATENT DOCUMENTS

D333,951	S *	3/1993	Courtney .....	D8/2
5,271,568	A	12/1993	Stevie	
5,285,971	A	2/1994	Havlovitz	
D387,638	S	12/1997	Delaby et al.	
6,092,746	A *	7/2000	Dillon .....	A01C 7/02 239/142
D534,044	S	12/2006	Zak	
D552,946	S	10/2007	Shanklin et al.	
7,281,675	B2 *	10/2007	Elrod .....	A01G 1/125 239/650
7,328,861	B2	2/2008	Sagol et al.	
8,191,804	B1	6/2012	Pullara, Jr.	
D744,303	S	12/2015	Marconi	
D796,922	S *	9/2017	Hsu .....	D15/13
2007/0034710	A1 *	2/2007	Elrod .....	A01G 1/125 239/146
2014/0263484	A1 *	9/2014	Marconi .....	A01M 9/0046 222/637

OTHER PUBLICATIONS

Scotts Turf Builder 5 Lbs. Broadcast Spreader, Item #203124, [www.lowes.com](http://www.lowes.com), printed Dec. 4, 2015.

Quick Start Guide, Scotts Handy Green II Hand-Held Broadcast Spreader, The Scotts Company LLC, 2011.

Precision HHBS-125 6 Lb Capacity Handheld Broadcast Spreader, [walmart.com](http://walmart.com), printed Dec. 4, 2015.

Plantmates 76500 All-Purpose Spreader, [amazon.com](http://amazon.com), printed Dec. 4, 2015.

Solo 421S 20-Pound Capacity Portable Spreader, [amazon.com](http://amazon.com), printed Dec. 4, 2015.

\* cited by examiner

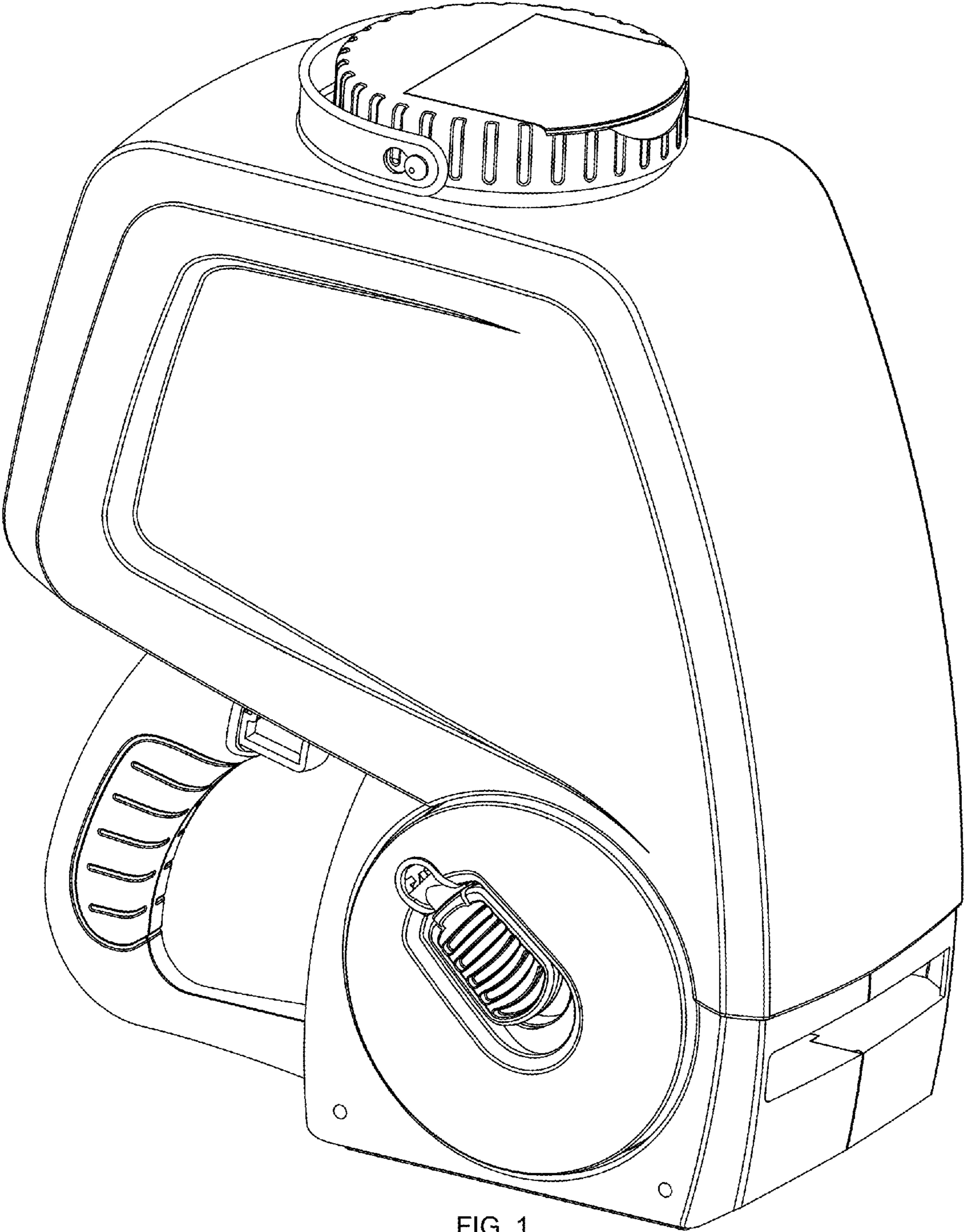


FIG. 1

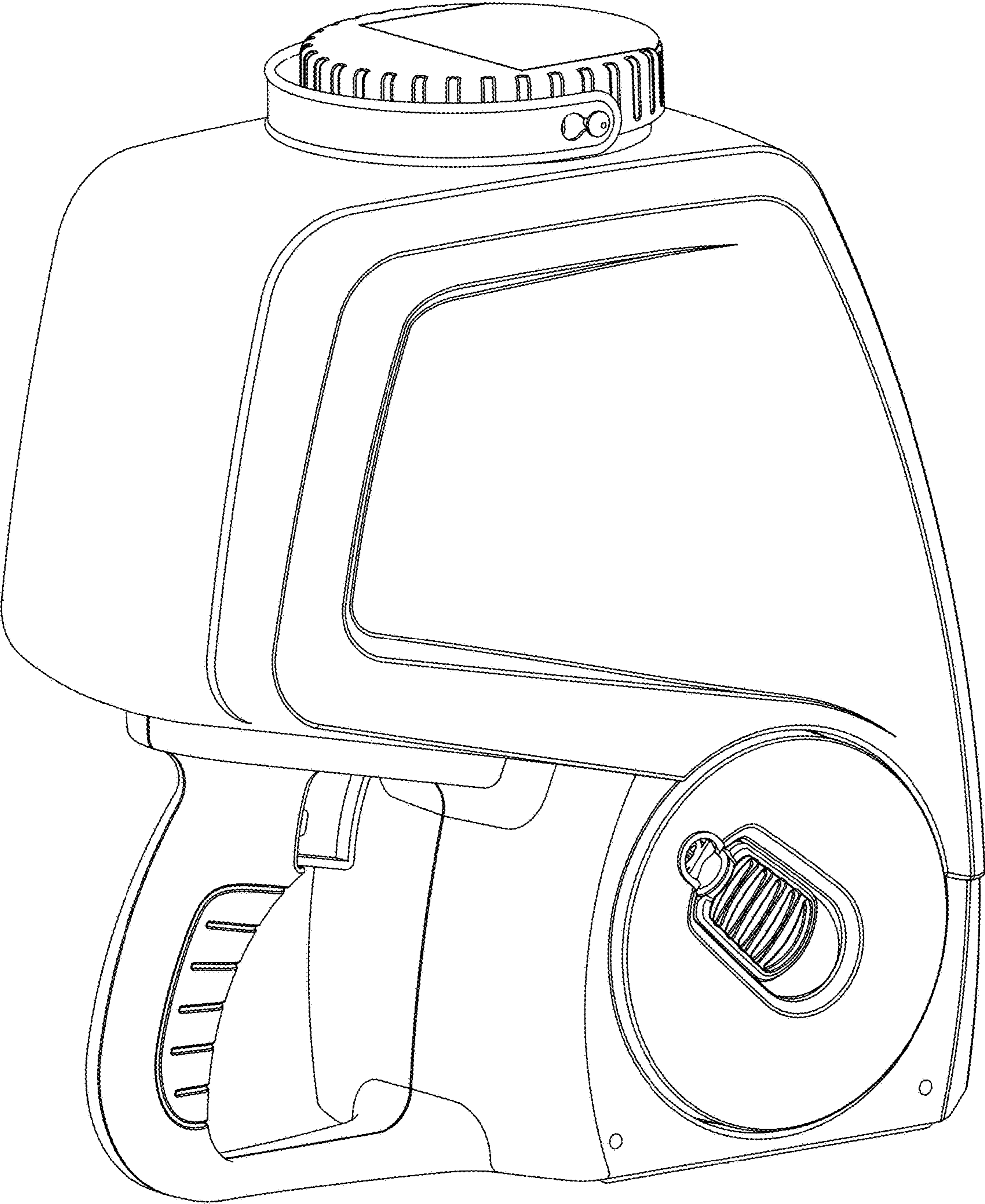


FIG. 2

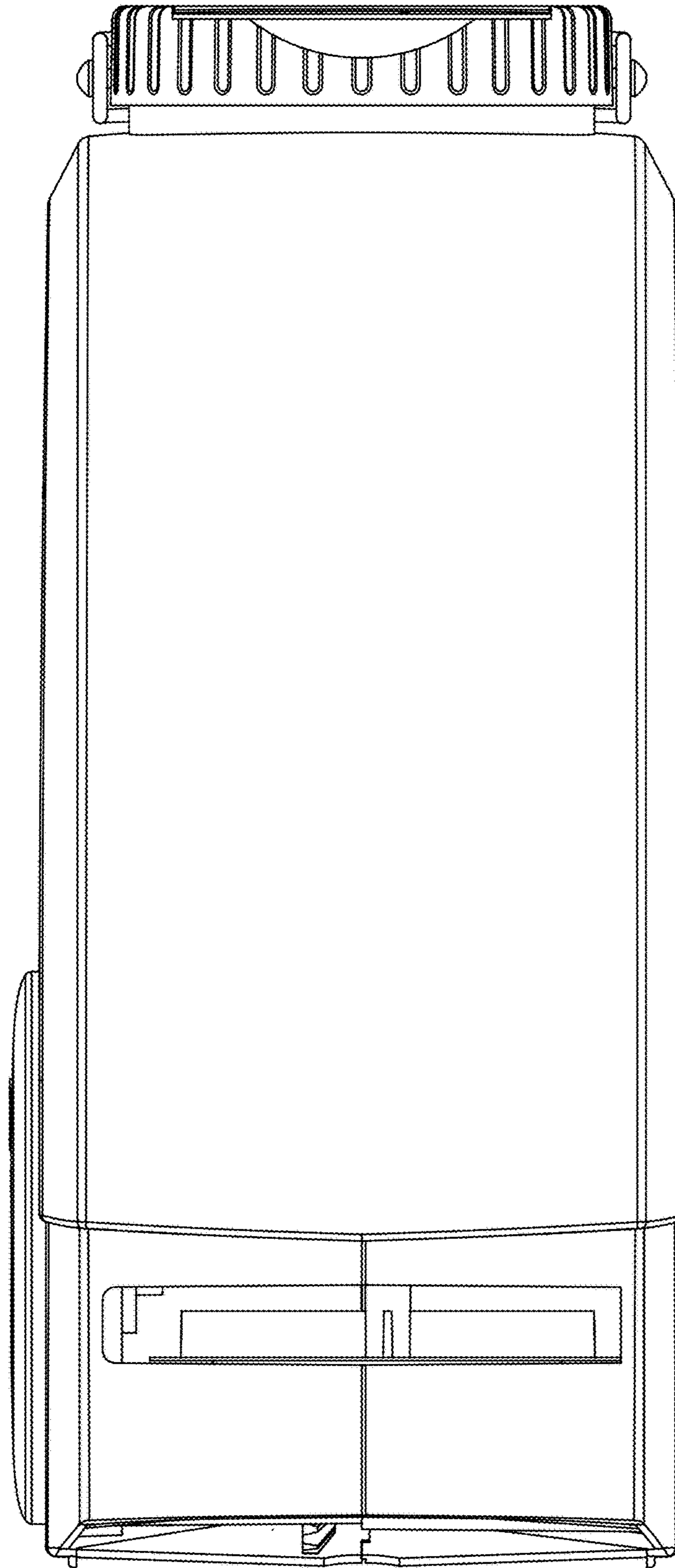


FIG. 3

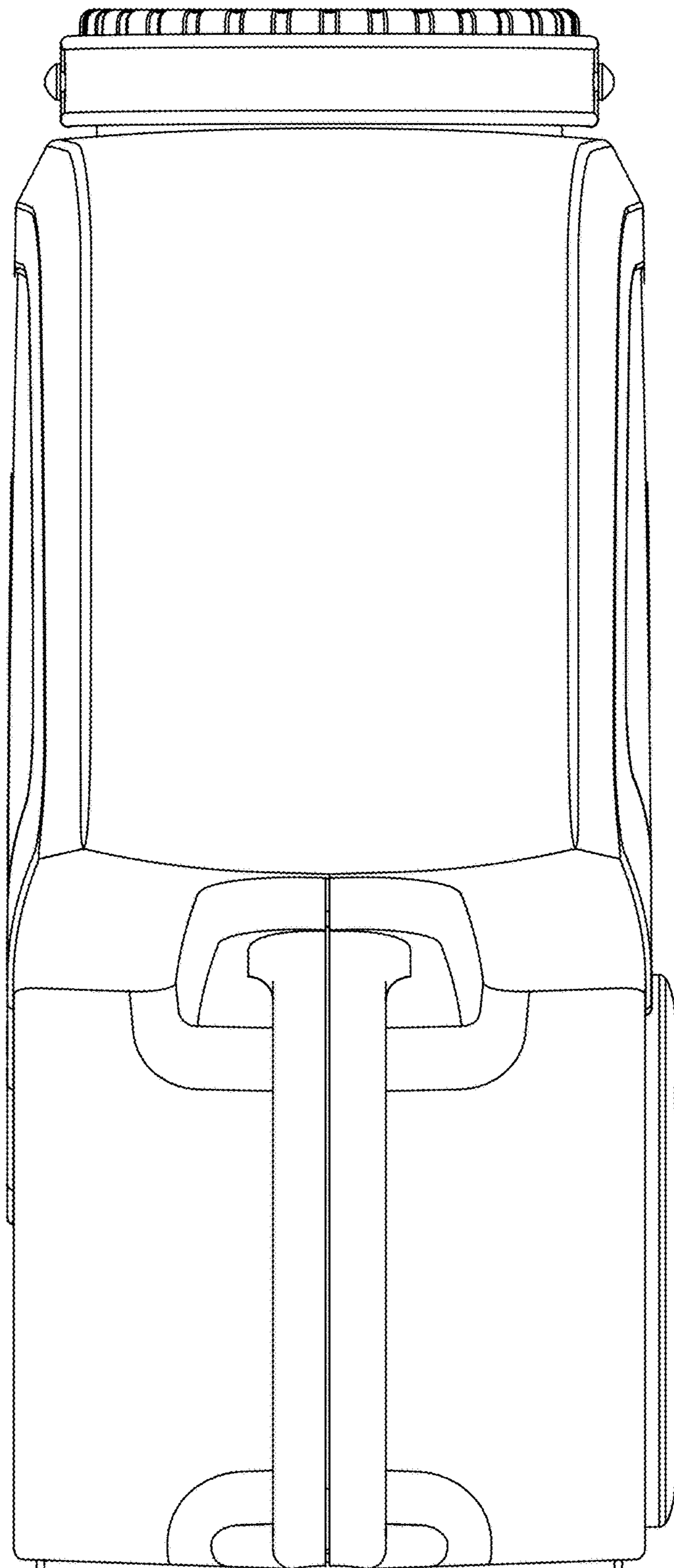


FIG. 4

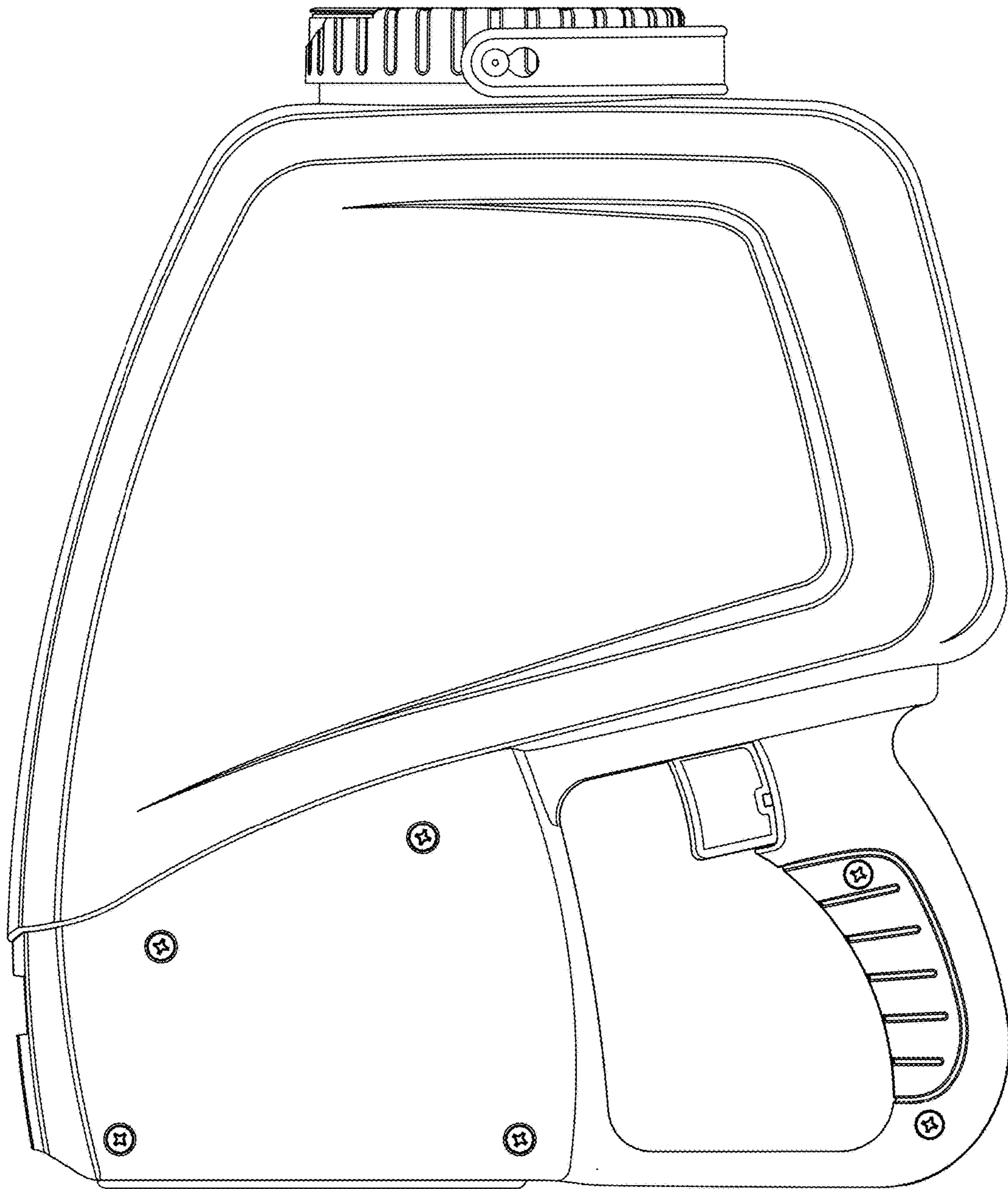


FIG. 5

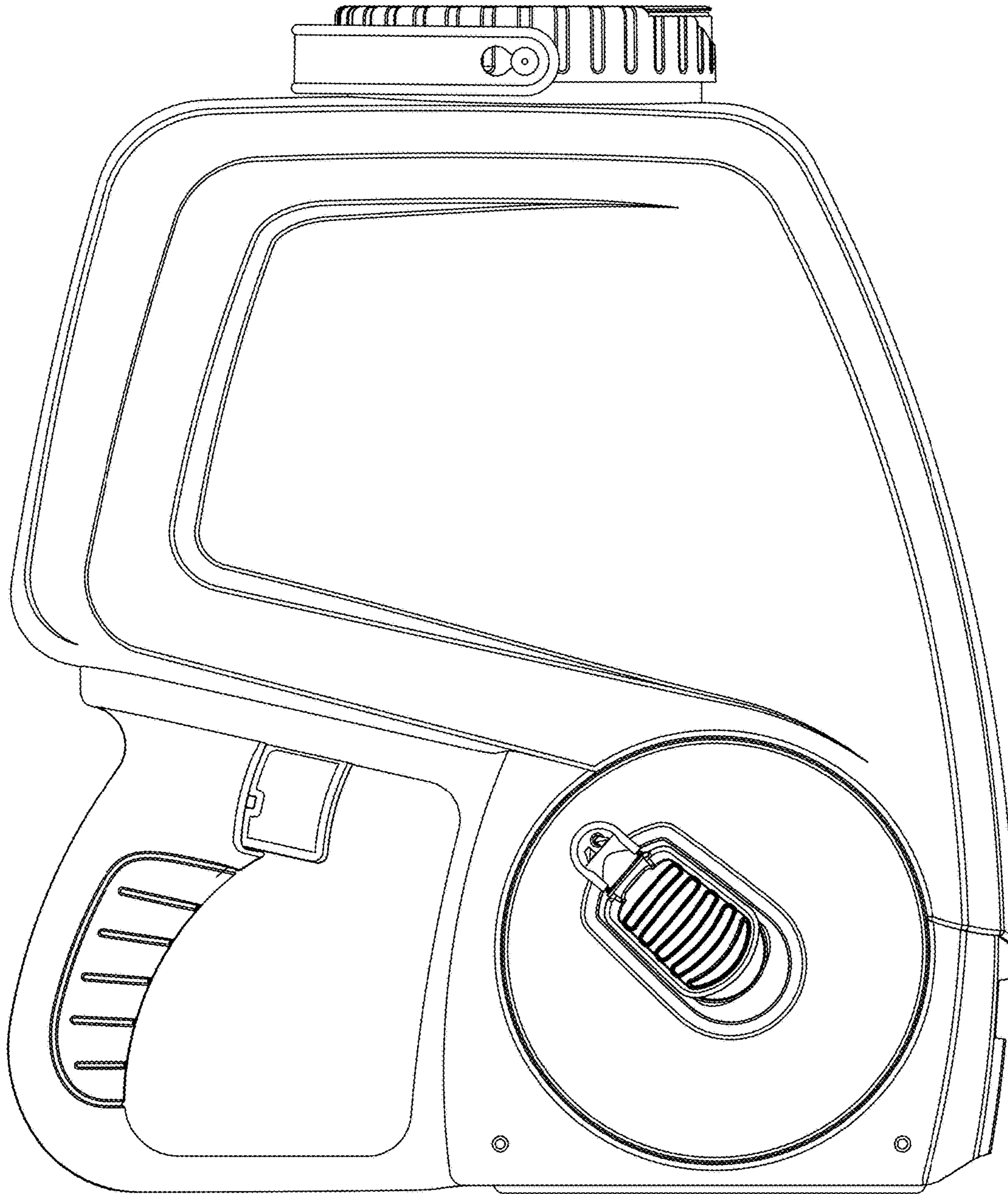


FIG. 6



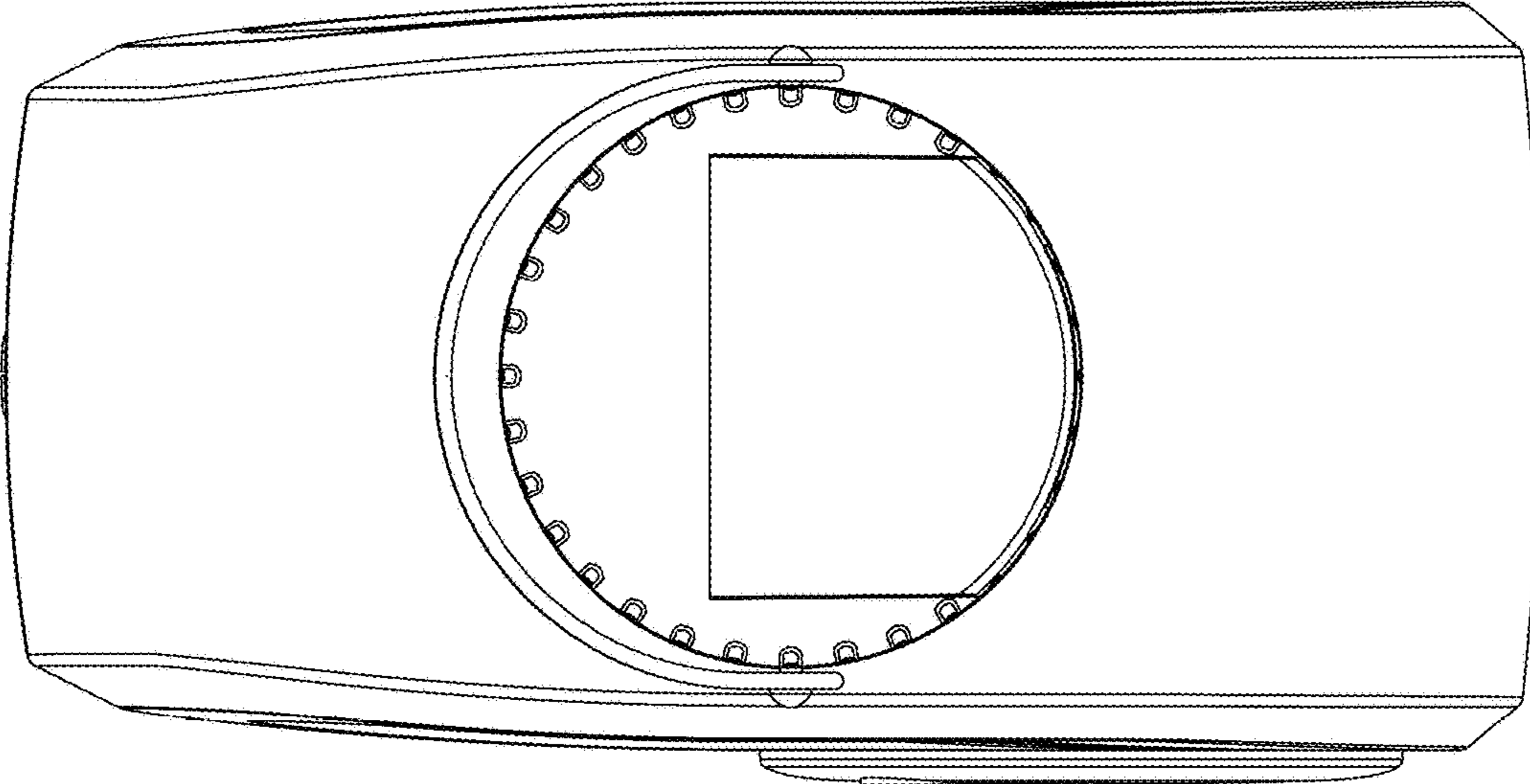


FIG. 7

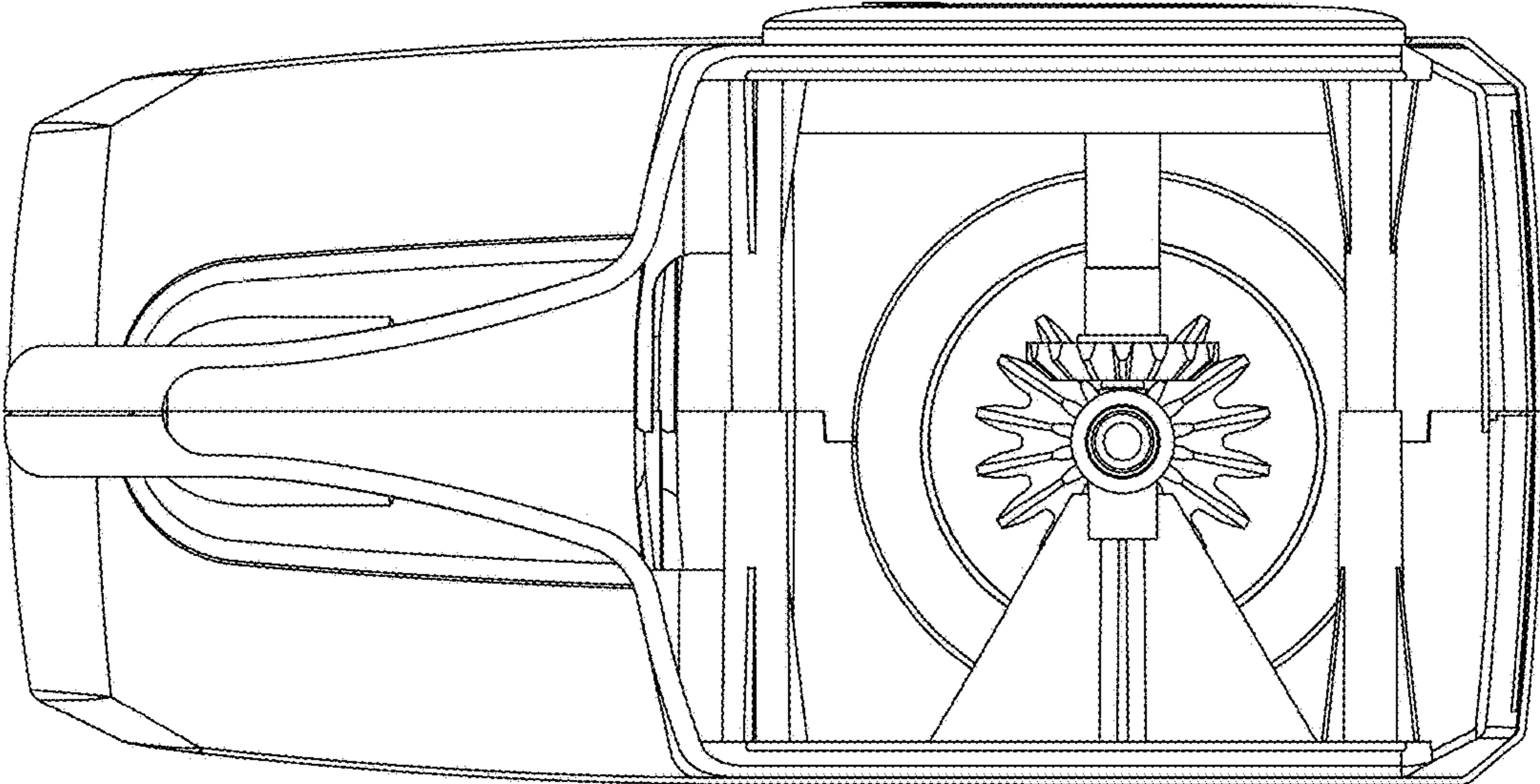


FIG. 8

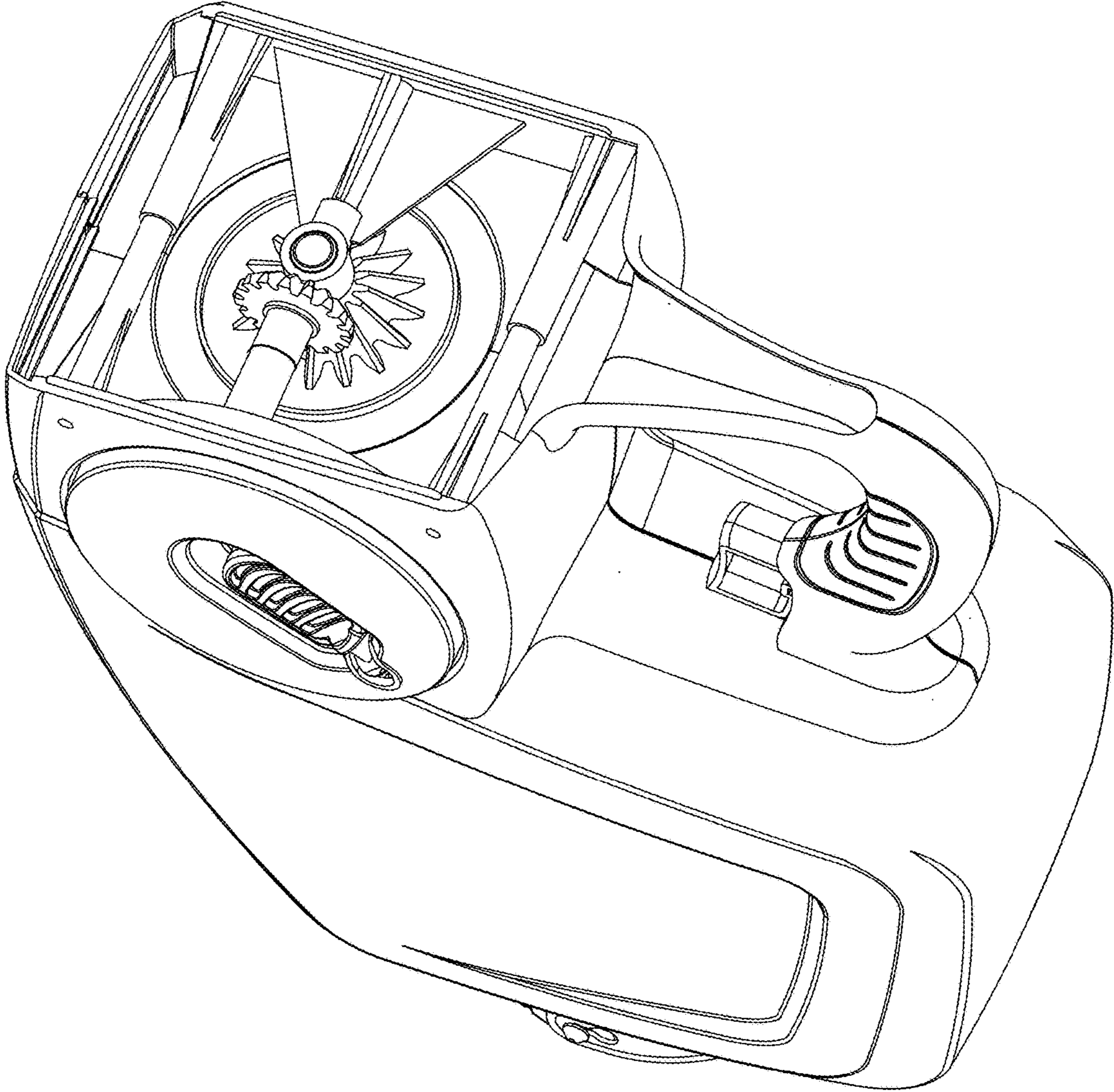


FIG. 9