



US00D809881S

(12) **United States Design Patent**
Exley

(10) **Patent No.:** **US D809,881 S**
(45) **Date of Patent:** **** Feb. 13, 2018**

- (54) **FOOD CUTTING DEVICE**
- (71) Applicant: **ONTEL PRODUCTS CORPORATION**, Fairfield, NJ (US)
- (72) Inventor: **Ross Exley**, Fairfield, NJ (US)
- (73) Assignee: **Ontel Products Corporation**, Fairfield, NJ (US)
- (**) Term: **14 Years**
- (21) Appl. No.: **29/519,161**
- (22) Filed: **Mar. 3, 2015**
- (51) **LOC (11) Cl.** **07-04**
- (52) **U.S. Cl.**
USPC **D7/693**; D7/673
- (58) **Field of Classification Search**
USPC D7/672-676, 693, 359, 412, 376-386,
D7/677-679, 372-375, 694-698; 83/932;
99/353
CPC B26D 3/24-3/283; B26D
2003/285-2003/288; B26D 2210/02;
B26D 7/01; B26D 7/00; A47J 43/25;
A47J 43/55; A47J 17/16; A23N 7/026
See application file for complete search history.

D506,649 S * 6/2005 Muro D7/693
7,077,058 B2 * 7/2006 Muro A47J 17/16
99/541
D535,534 S * 1/2007 Wong D7/693
(Continued)

FOREIGN PATENT DOCUMENTS

CN 202723661 U 2/2013

OTHER PUBLICATIONS

Inspiralyzer, Nov. 5, 2015, Williams-Sonoma, <http://www.williams-sonoma.com/products/inspiralyzer/>.
(Continued)

Primary Examiner — Susan Bennett Hattan
Assistant Examiner — Brett Miller
(74) *Attorney, Agent, or Firm* — John S. Artz; Dickinson Wright, PLLC

(57) **CLAIM**
The ornamental design for a food cutting device, substantially as shown and described.

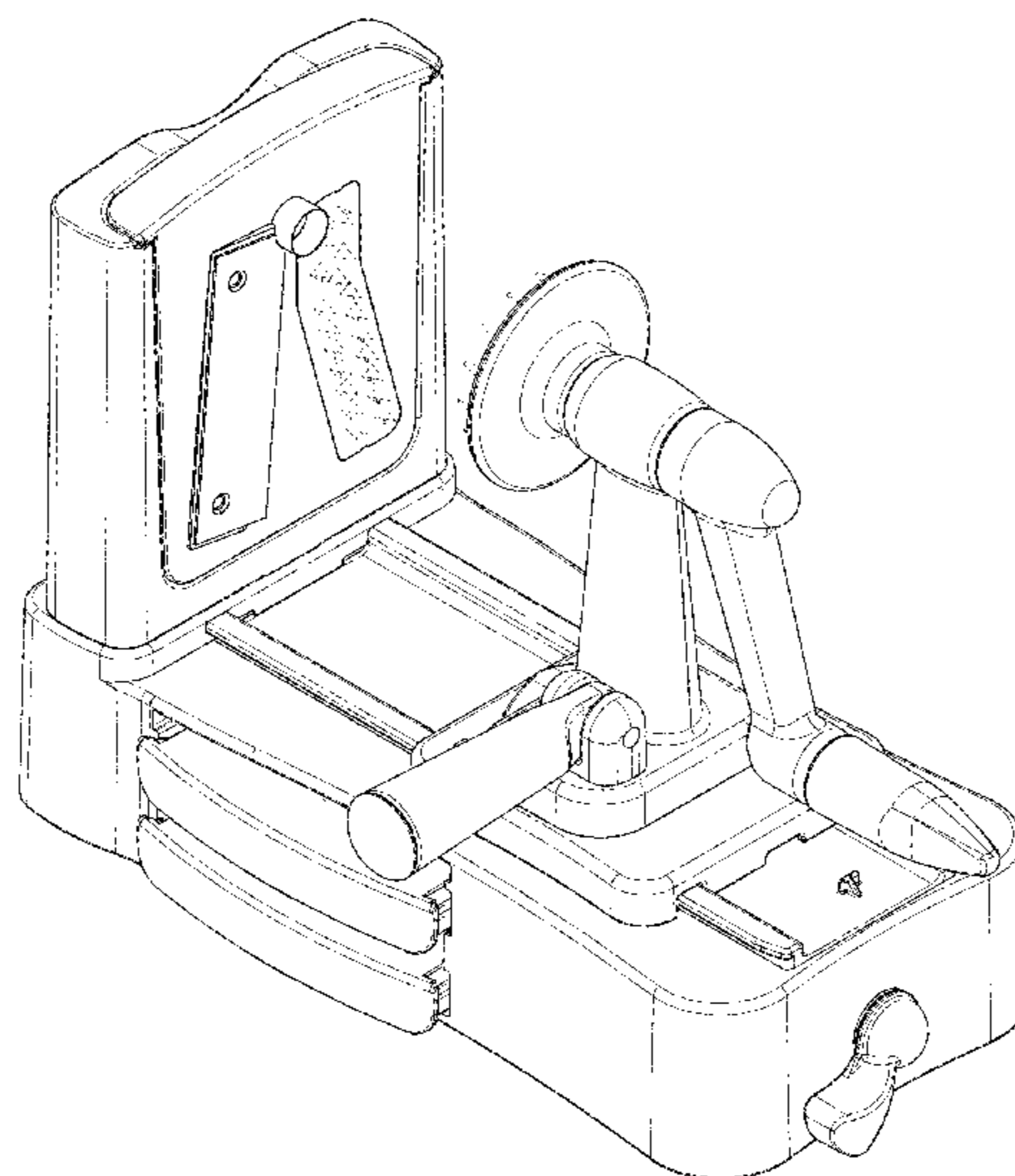
DESCRIPTION

FIG. 1 is an isometric view showing the front, top and right side of my design;
FIG. 2 is a front elevation view of my design;
FIG. 3 is a rear elevation view of my design;
FIG. 4 is an elevation view showing the left side of my design;
FIG. 5 is an elevation view showing the right side of my design;
FIG. 6 is a top plan view of my design;
FIG. 7 is a bottom plan view of my design; and,
FIG. 8 is an exploded view showing the front, top and right side of my design with removable parts and interchangeable blades.
The portions of the drawings shown in broken lines depict environment and do not constitute part of the claimed invention.

(56) **References Cited**
U.S. PATENT DOCUMENTS

- 2,508,868 A 5/1950 Ross
- D254,590 S * 4/1980 Doyel D7/381
- 5,690,022 A * 11/1997 Chai A47J 17/16
99/541
- 5,950,528 A * 9/1999 Wang A47J 17/16
99/542
- D414,983 S * 10/1999 Wong D7/381
- 6,053,098 A * 4/2000 Yamamoto B26D 3/11
83/932
- D448,629 S * 10/2001 Wong D7/381
- D465,137 S * 11/2002 Wong D7/693

1 Claim, 8 Drawing Sheets



(56)

References Cited

U.S. PATENT DOCUMENTS

D689,348 S * 9/2013 Wong D7/693
D747,916 S * 1/2016 Wong D7/381
2016/0250768 A1* 9/2016 Levine B26D 3/11

OTHER PUBLICATIONS

Paderno Spiralizer 4-Blade, Oct. 21, 2014, Williams-Sonoma,
<http://www.williams-sonoma.com/products/4769345/>.*

* cited by examiner

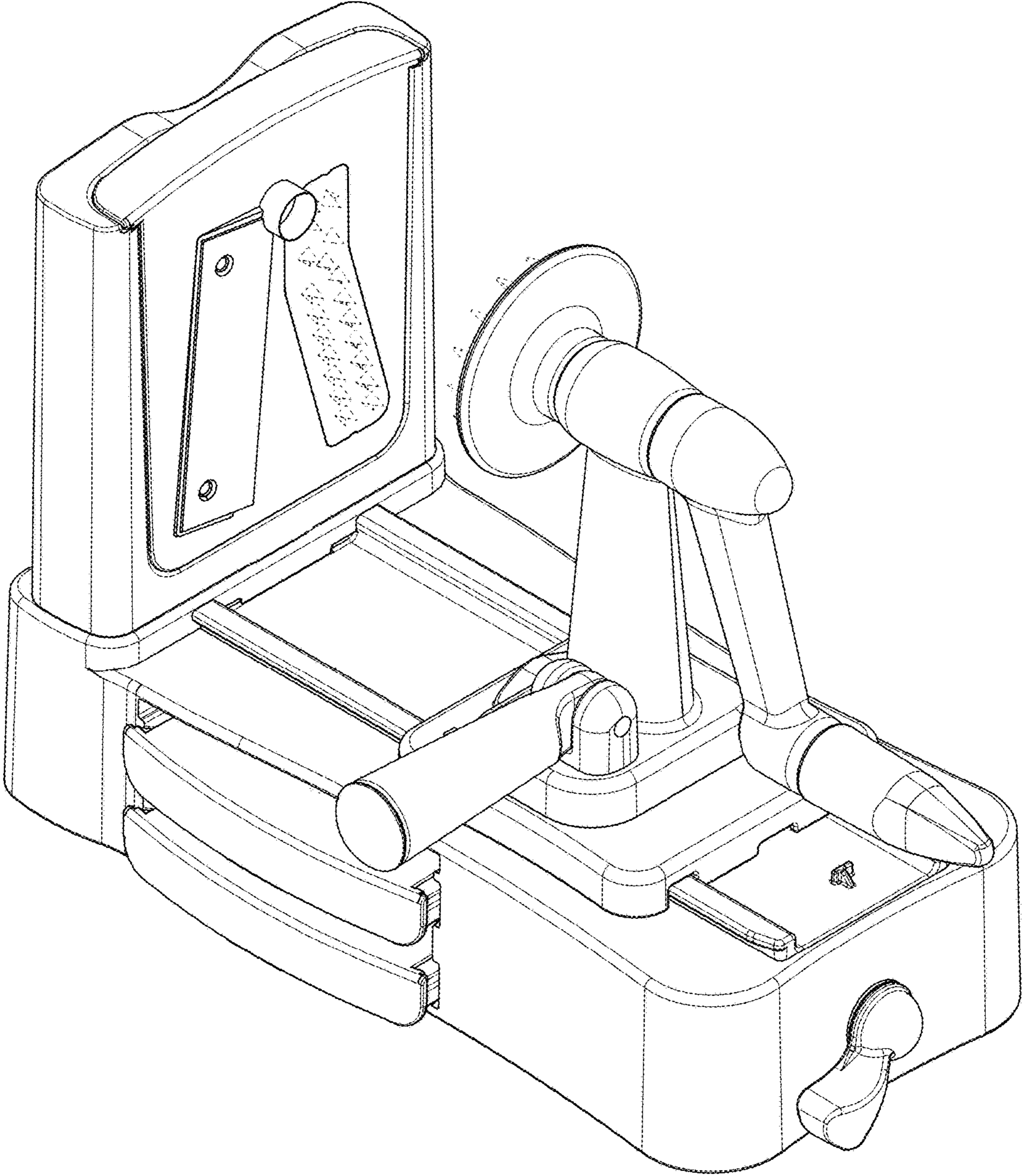


FIG. 1

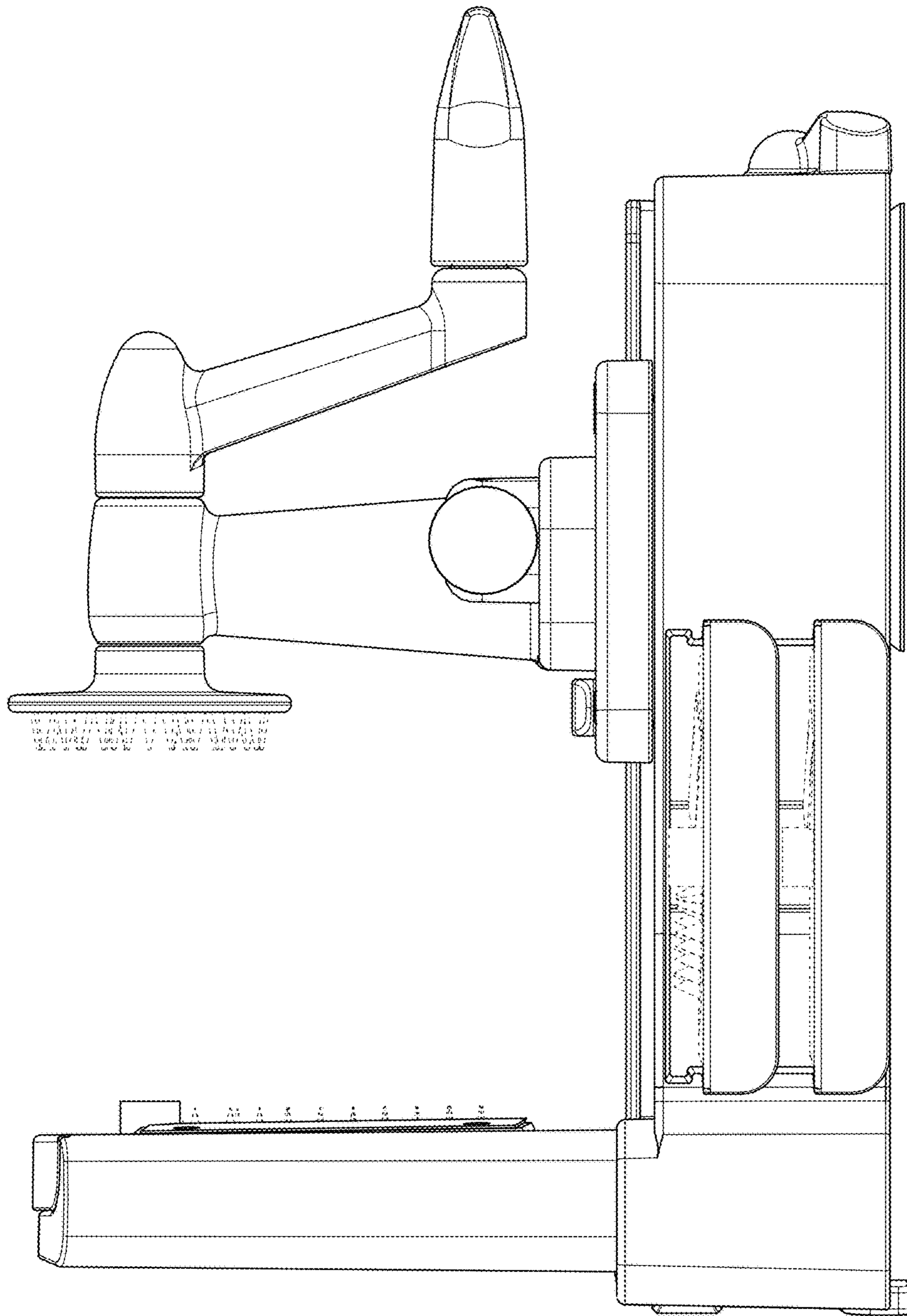


FIG. 2

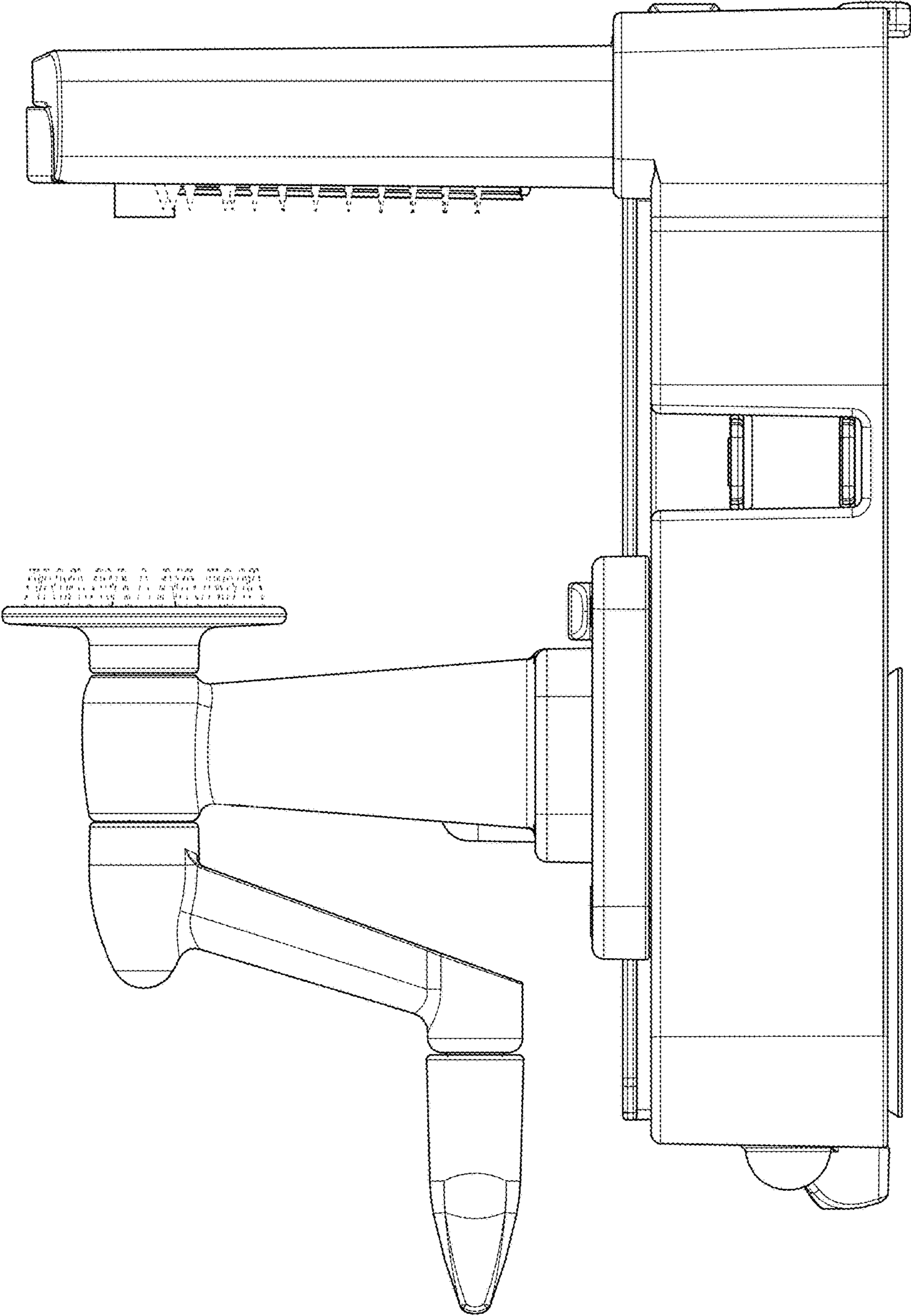


FIG. 3

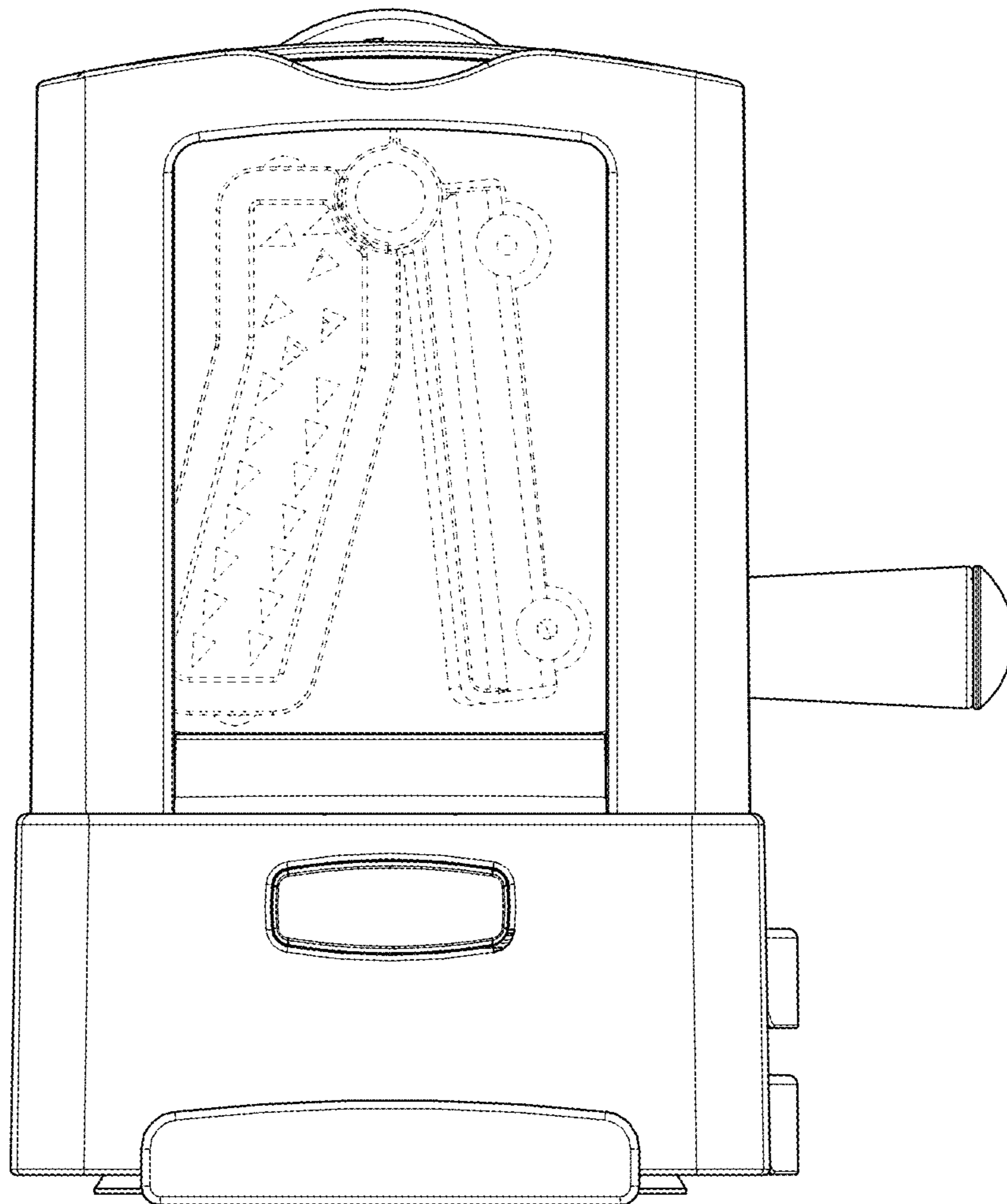


FIG. 4

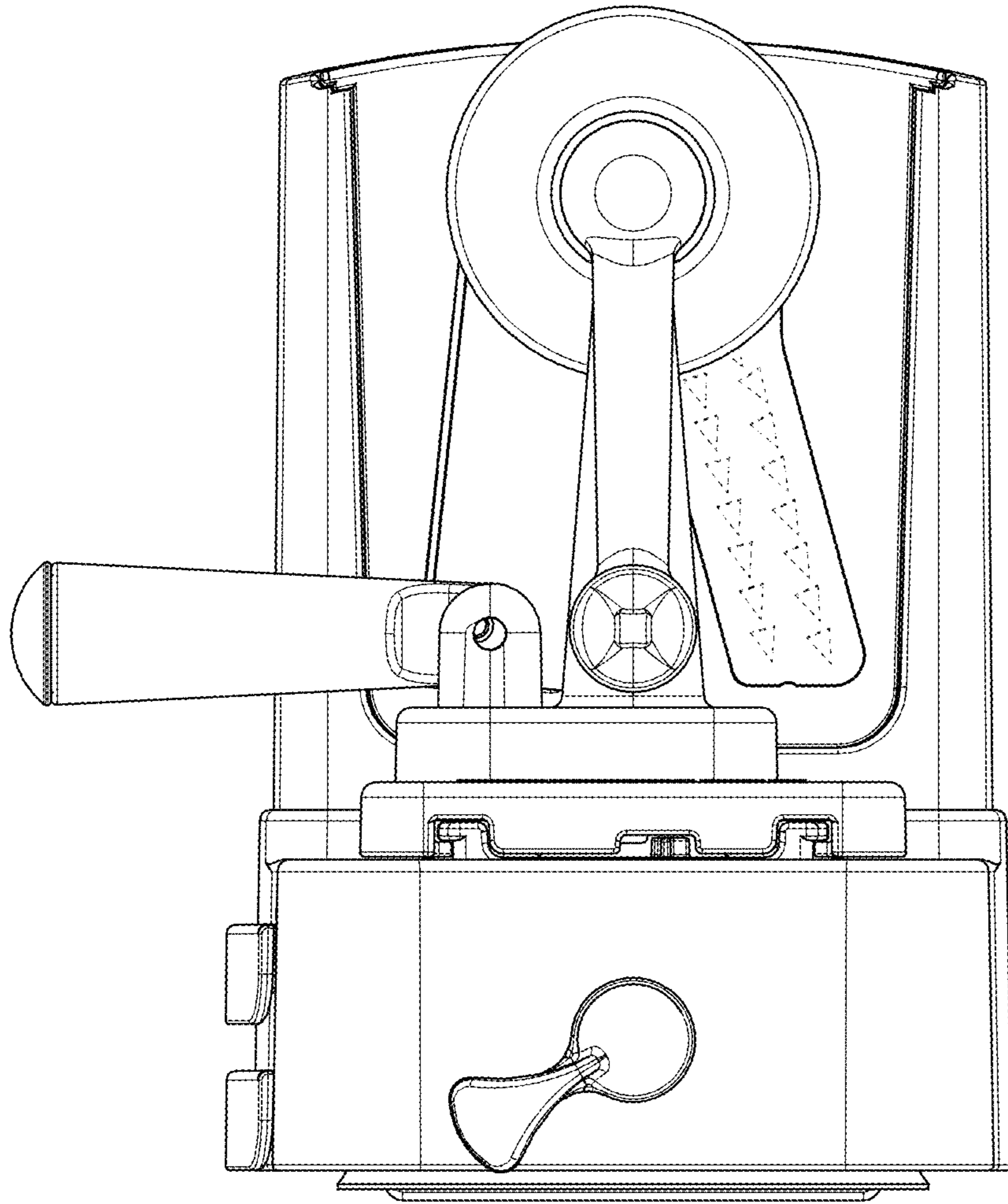


FIG. 5

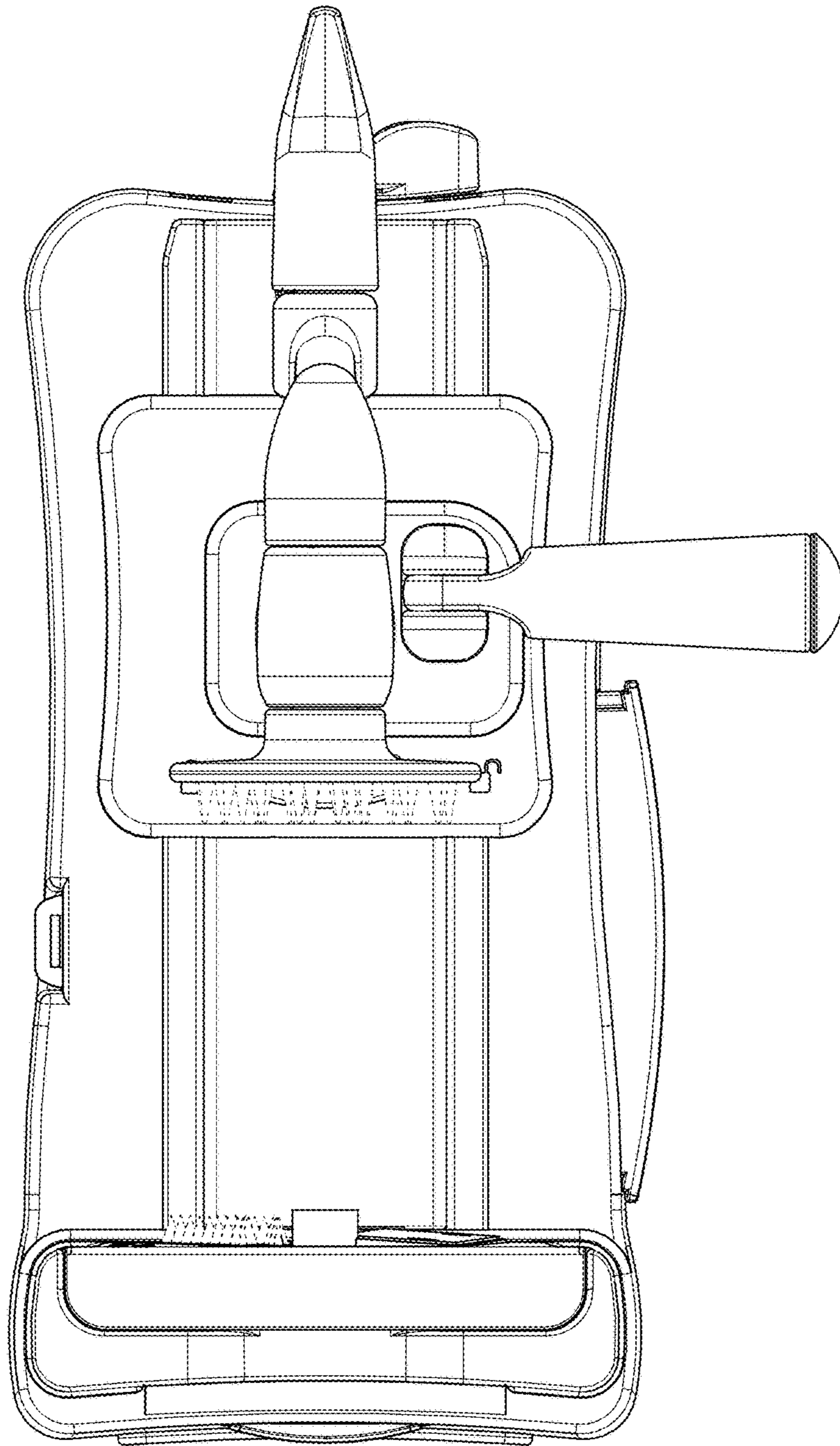


FIG. 6

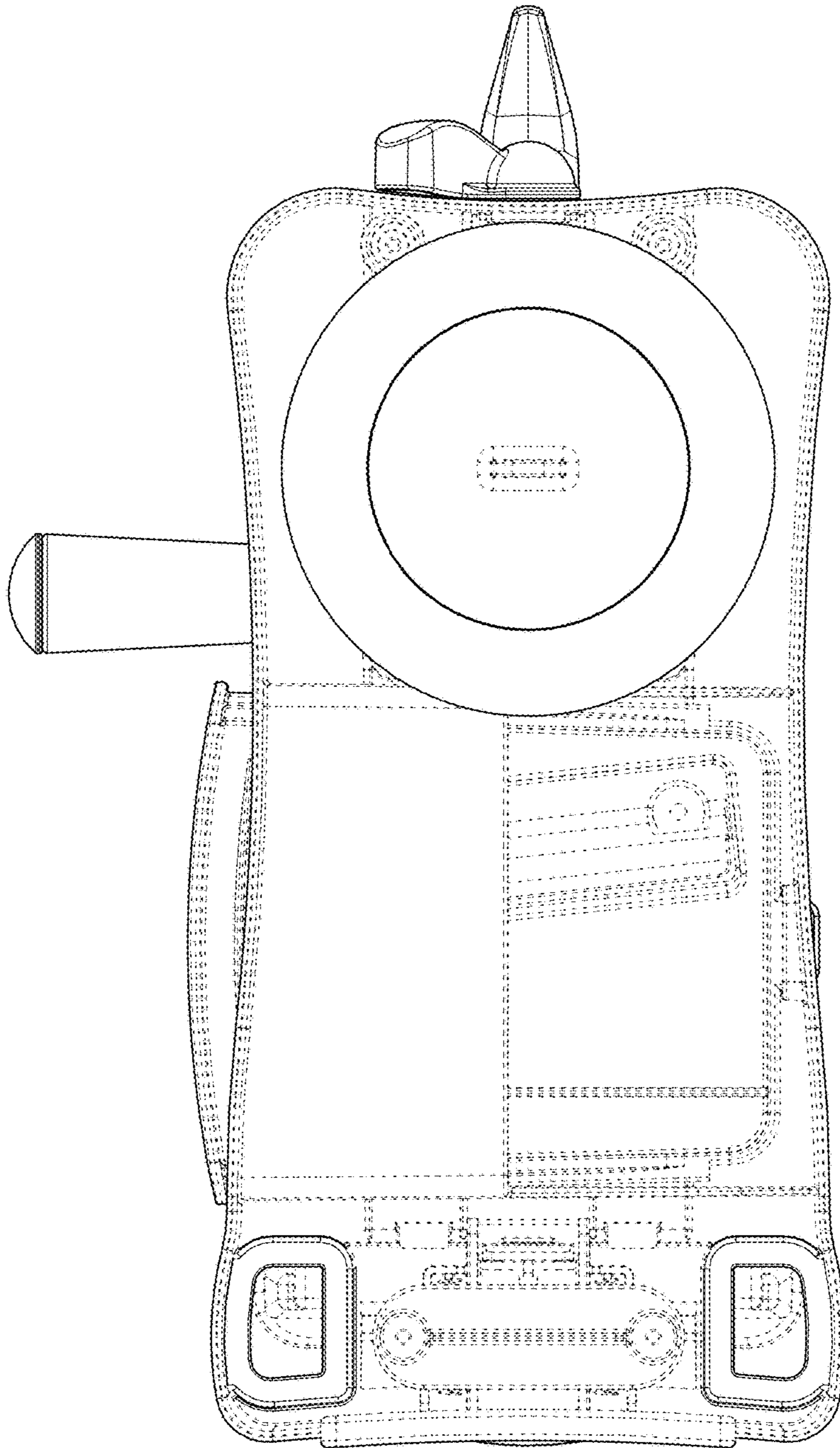


FIG. 7

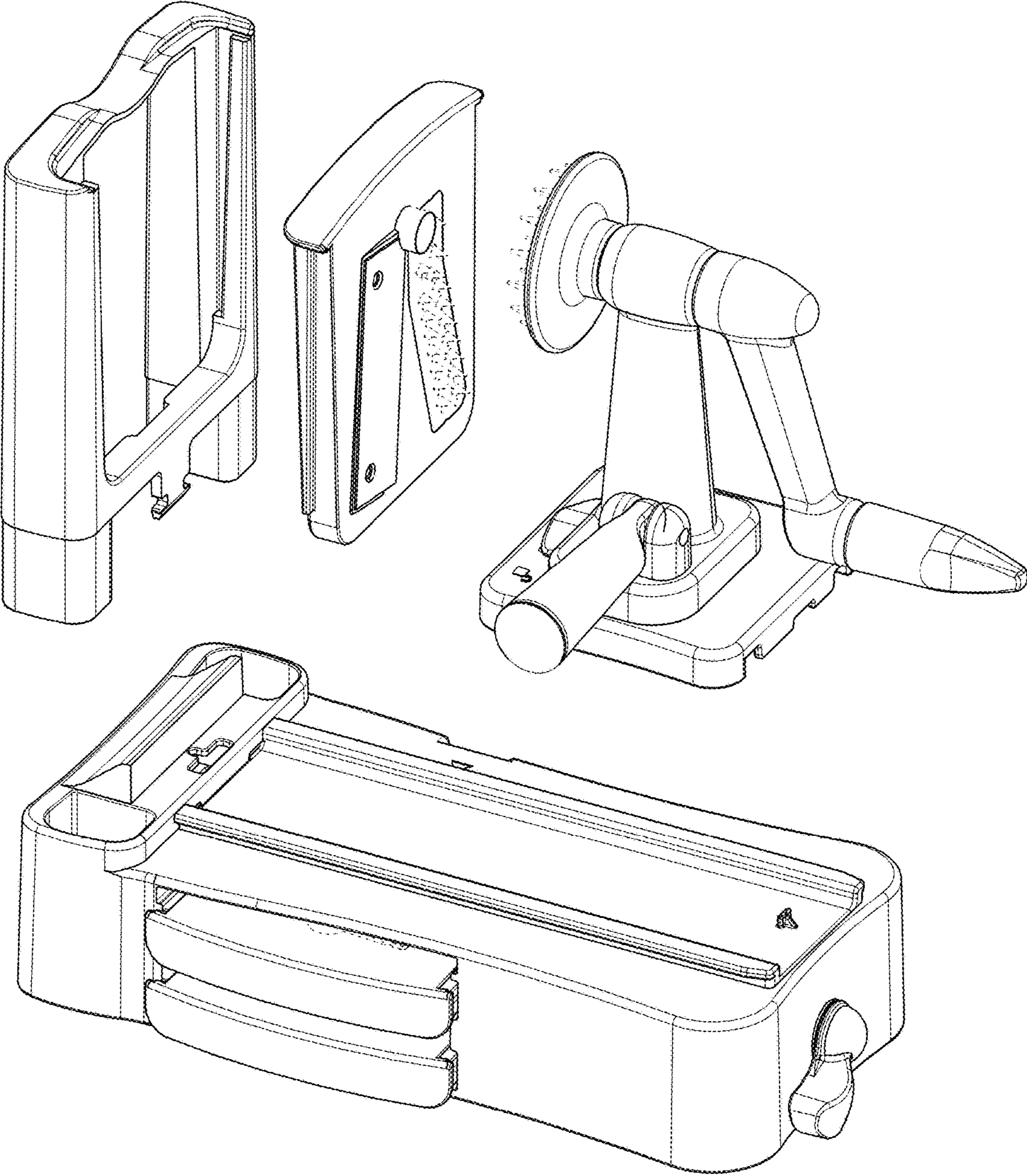


FIG. 8