



US00D809880S

(12) **United States Design Patent**
Perkail

(10) **Patent No.:** **US D809,880 S**

(45) **Date of Patent:** **** Feb. 13, 2018**

(54) **COMBINATION HERBAL GRINDER AND CONTAINER**

(71) Applicant: **Yarndi, LLC**, Great Falls, VA (US)

(72) Inventor: **Jason Perkail**, Washington, DC (US)

(73) Assignee: **Yarndi, LLC**, Great Falls, VA (US)

(**) Term: **15 Years**

(21) Appl. No.: **29/621,931**

(22) Filed: **Oct. 12, 2017**

(51) **LOC (11) Cl.** **07-04**

(52) **U.S. Cl.**
USPC **D7/679**

(58) **Field of Classification Search**
USPC D7/679, 590-597, 693, 372, 373, 381,
D7/383; D27/195
CPC .. A47J 42/14; A47J 42/00; A47J 42/04; A47J
42/34; A47J 42/40; A47J 42/50; A47J
19/04; A47J 43/25; A47J 43/04; A47J
44/00; A24B 7/00; A24C 5/40
See application file for complete search history.

(56) **References Cited**

U.S. PATENT DOCUMENTS

7,367,519 B2 * 5/2008 de Groote A47J 19/04
241/168
D594,288 S * 6/2009 Mah D7/678
D628,011 S * 11/2010 De Pra' D7/372

D628,024 S * 11/2010 Arn D7/679
D635,413 S * 4/2011 Griffin D7/693
8,220,732 B2 * 7/2012 Griffin A47J 43/04
241/169.1
8,695,906 B2 4/2014 Hainbach
D739,076 S 9/2015 Grumbacher et al.
RE46,408 E * 5/2017 Hainbach
2009/0050722 A1 * 2/2009 de Groote A47J 42/04
241/169.1
2013/0221144 A1 * 8/2013 Zhang A47J 42/08
241/169.1
2014/0353412 A1 12/2014 Grumbacher et al.
2017/0245541 A1 * 8/2017 Pagan A24B 7/00

* cited by examiner

Primary Examiner — Terry Wallace

(74) *Attorney, Agent, or Firm* — Maier & Maier, PLLC

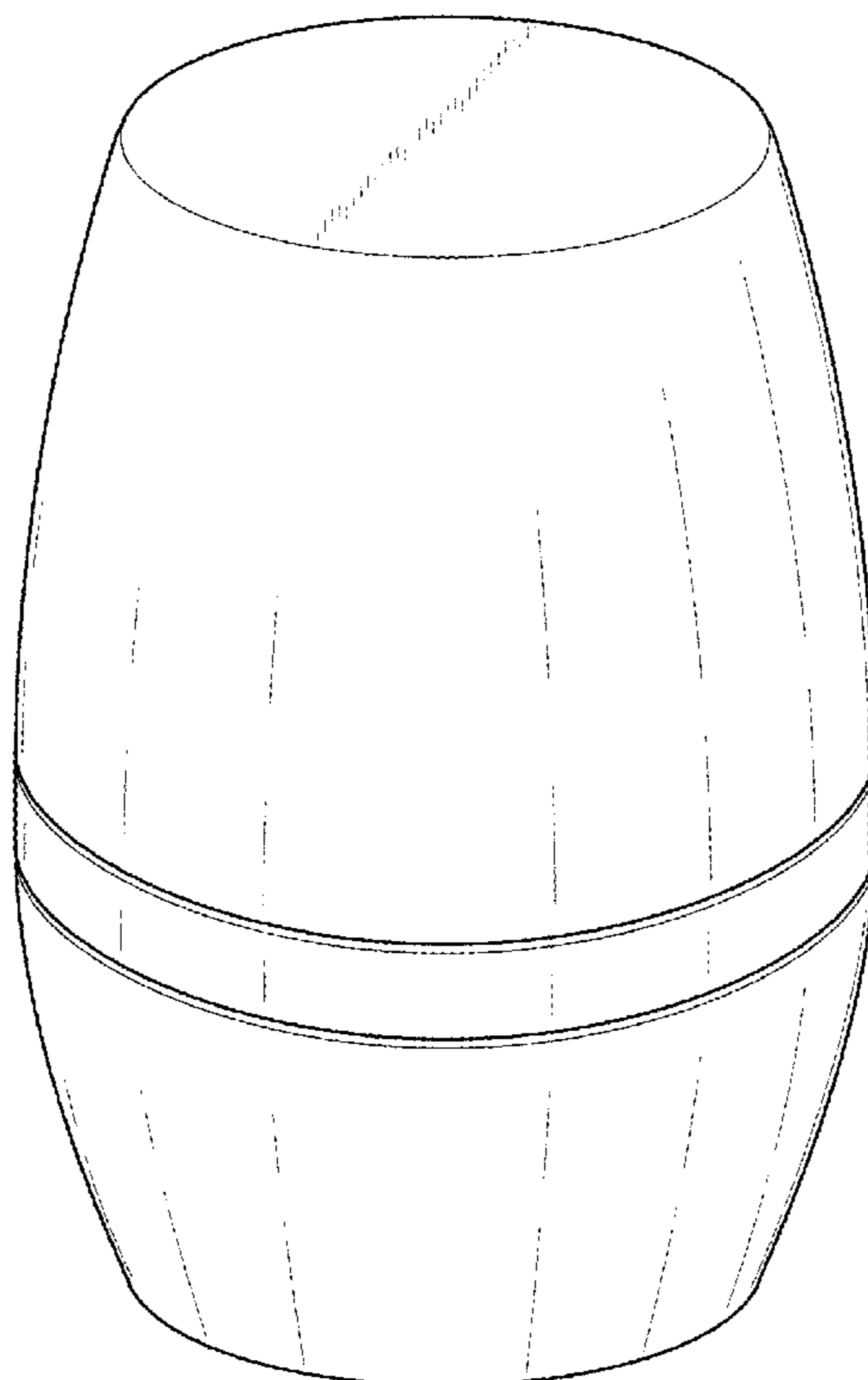
(57) **CLAIM**

The ornamental design for a combination herbal grinder and container, as shown and described.

DESCRIPTION

FIG. 1 is an upper perspective view of a combination herbal grinder and container, showing my design;
FIG. 2 is a lower perspective view thereof;
FIG. 3 is a front elevational view thereof;
FIG. 4 is a rear elevational view thereof;
FIG. 5 is a left side elevational view thereof;
FIG. 6 is a right side elevational view thereof;
FIG. 7 is a top plan view thereof; and,
FIG. 8 is a bottom plan view thereof.

1 Claim, 7 Drawing Sheets



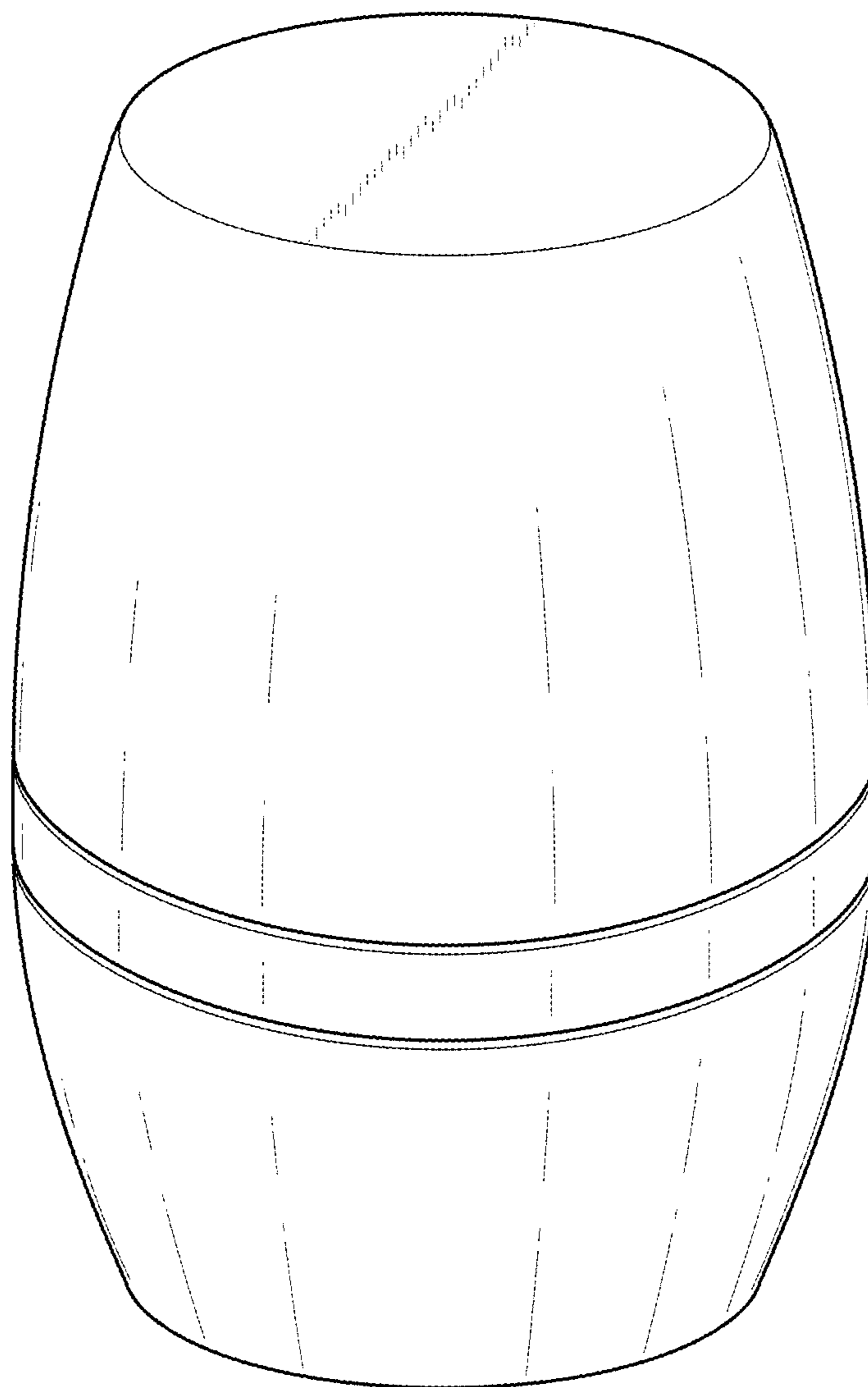


Fig. 1

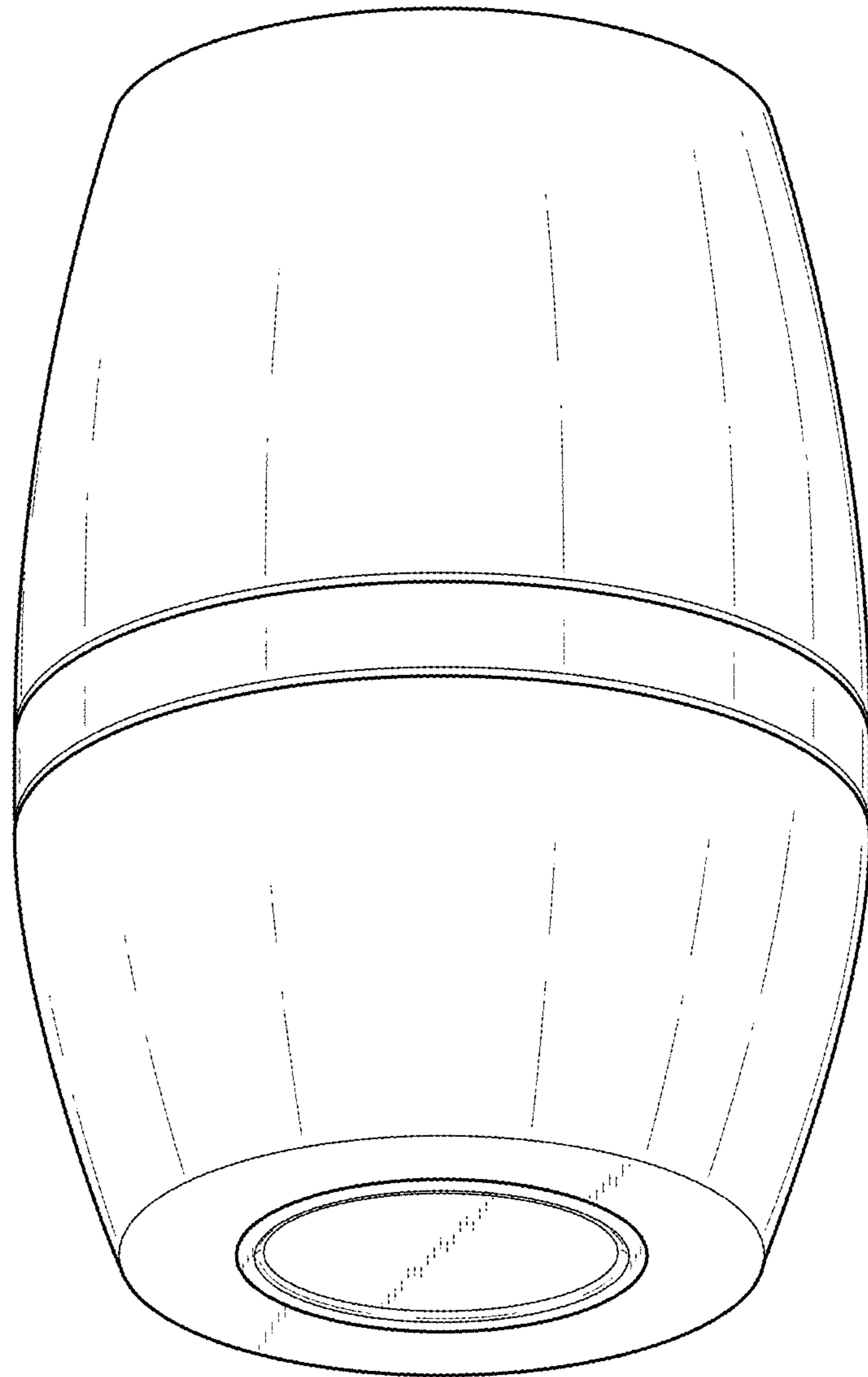


Fig. 2

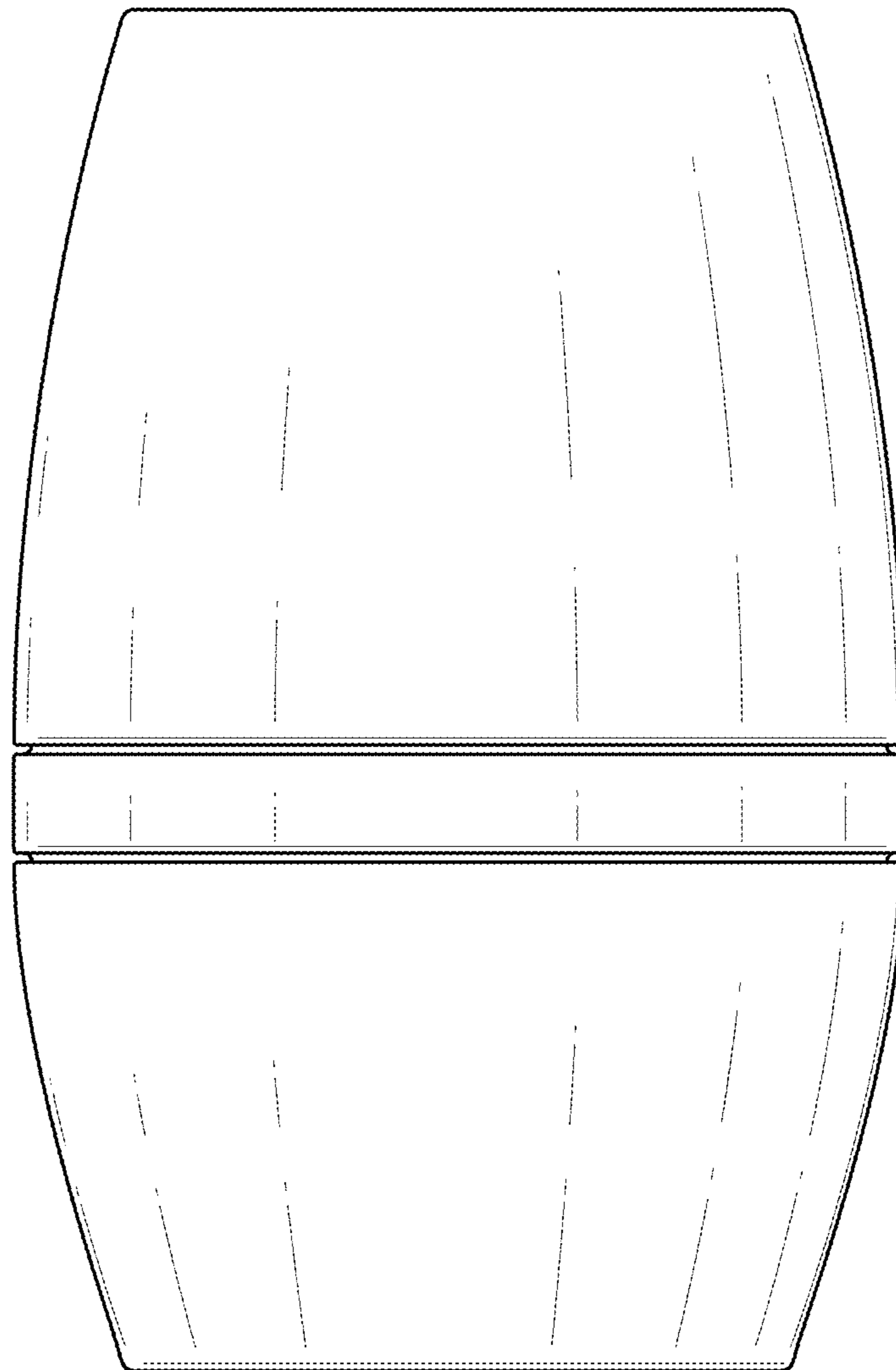


Fig. 3

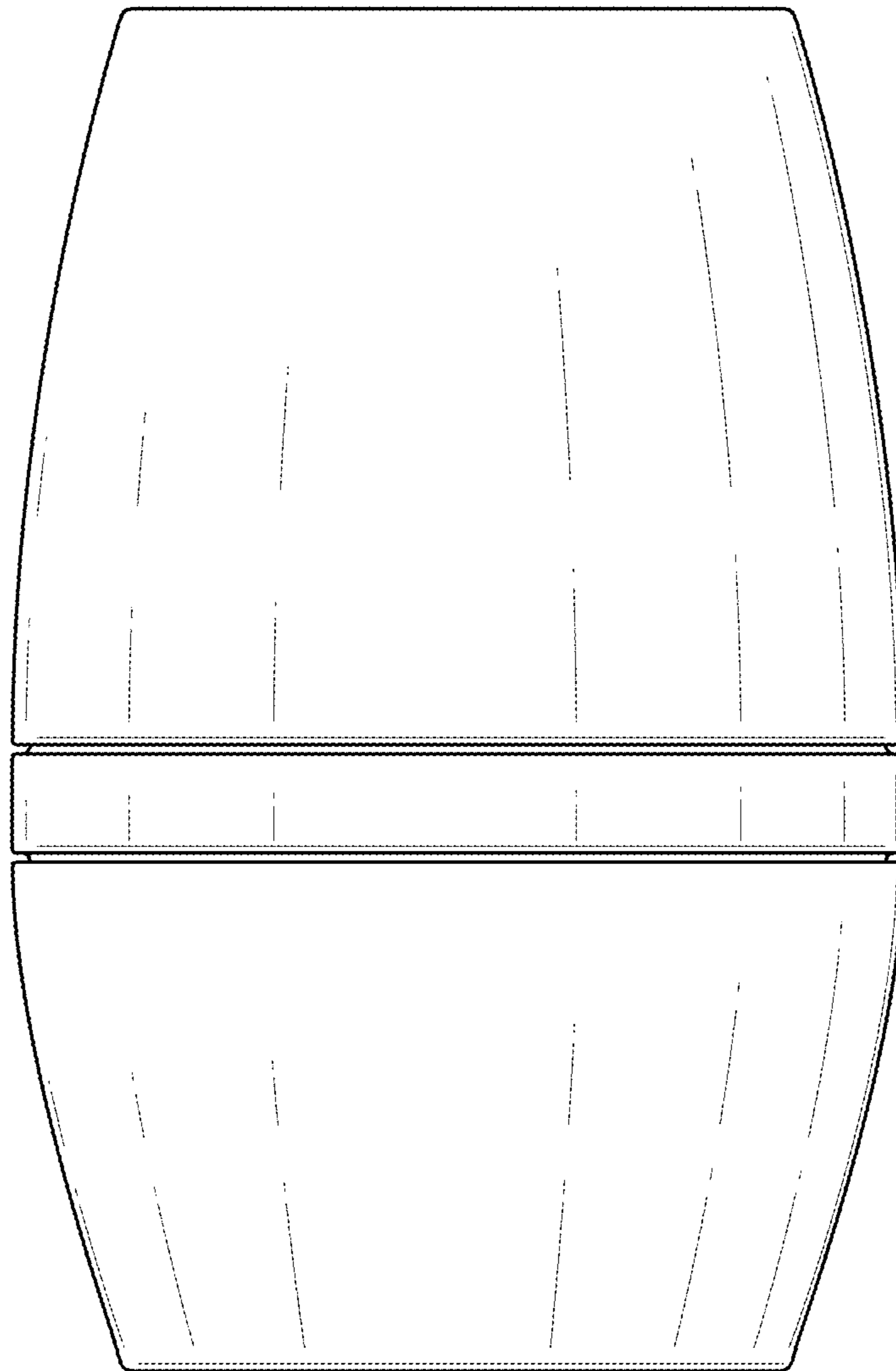


Fig. 4

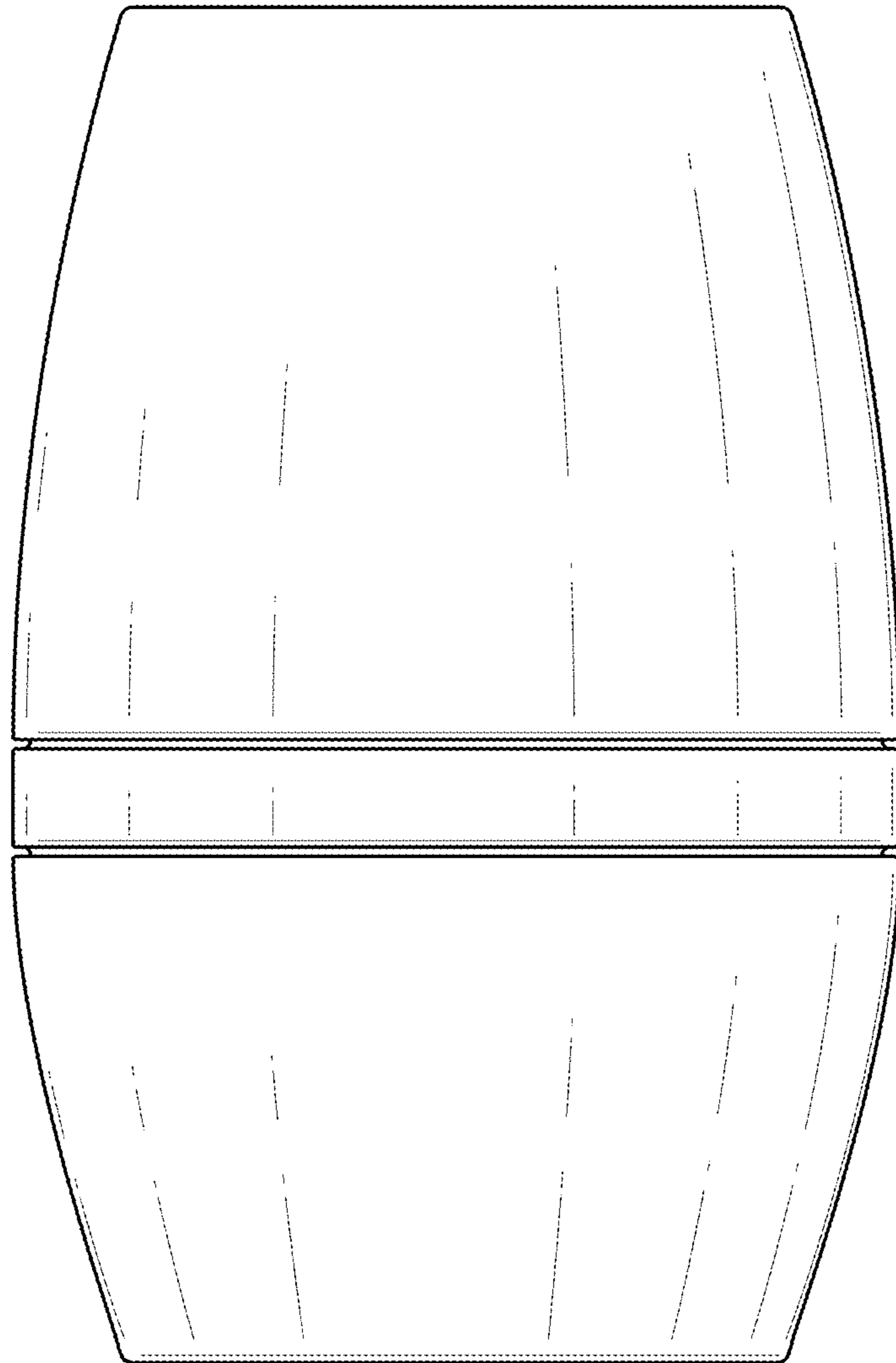


Fig. 5

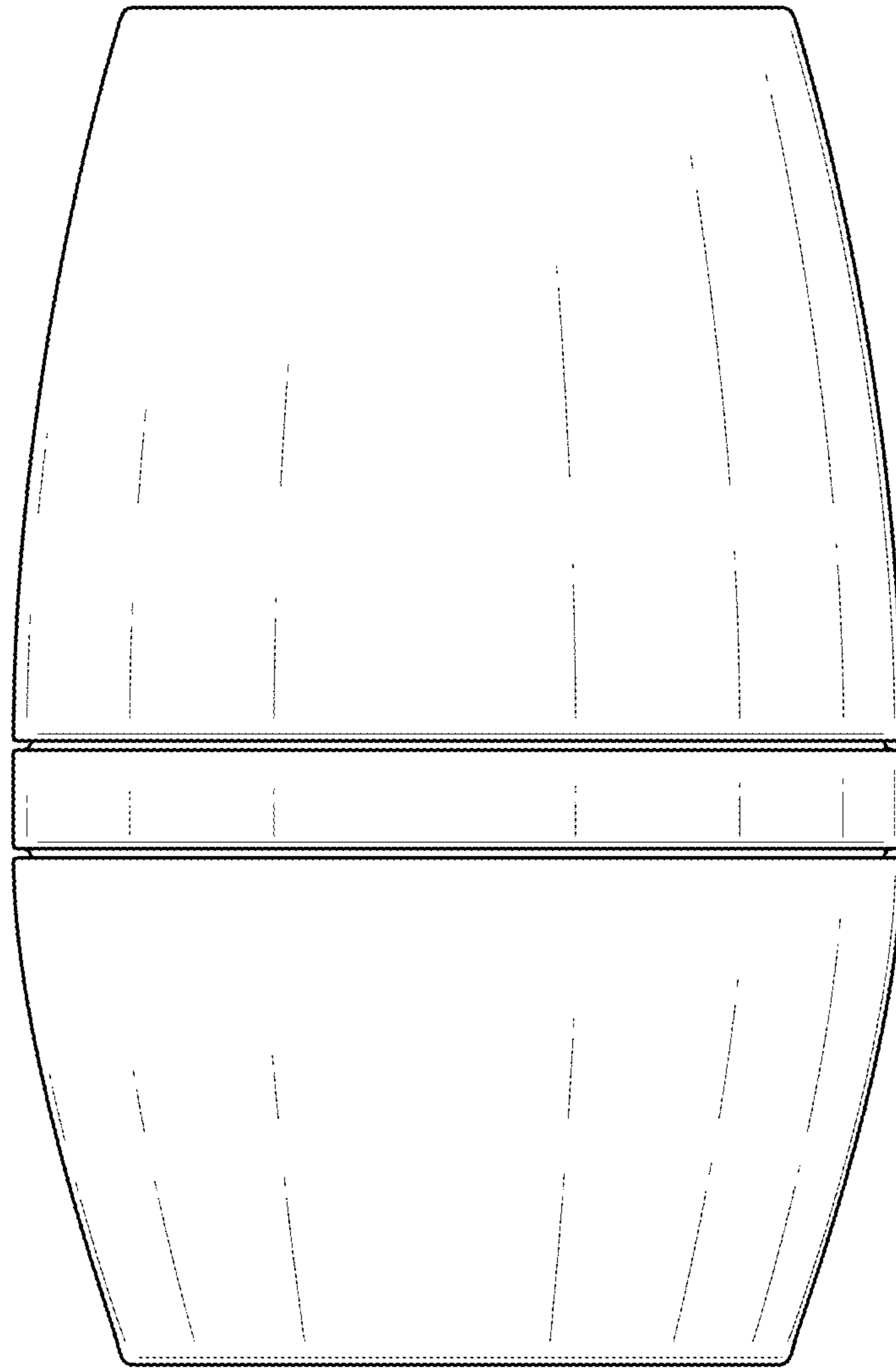


Fig. 6

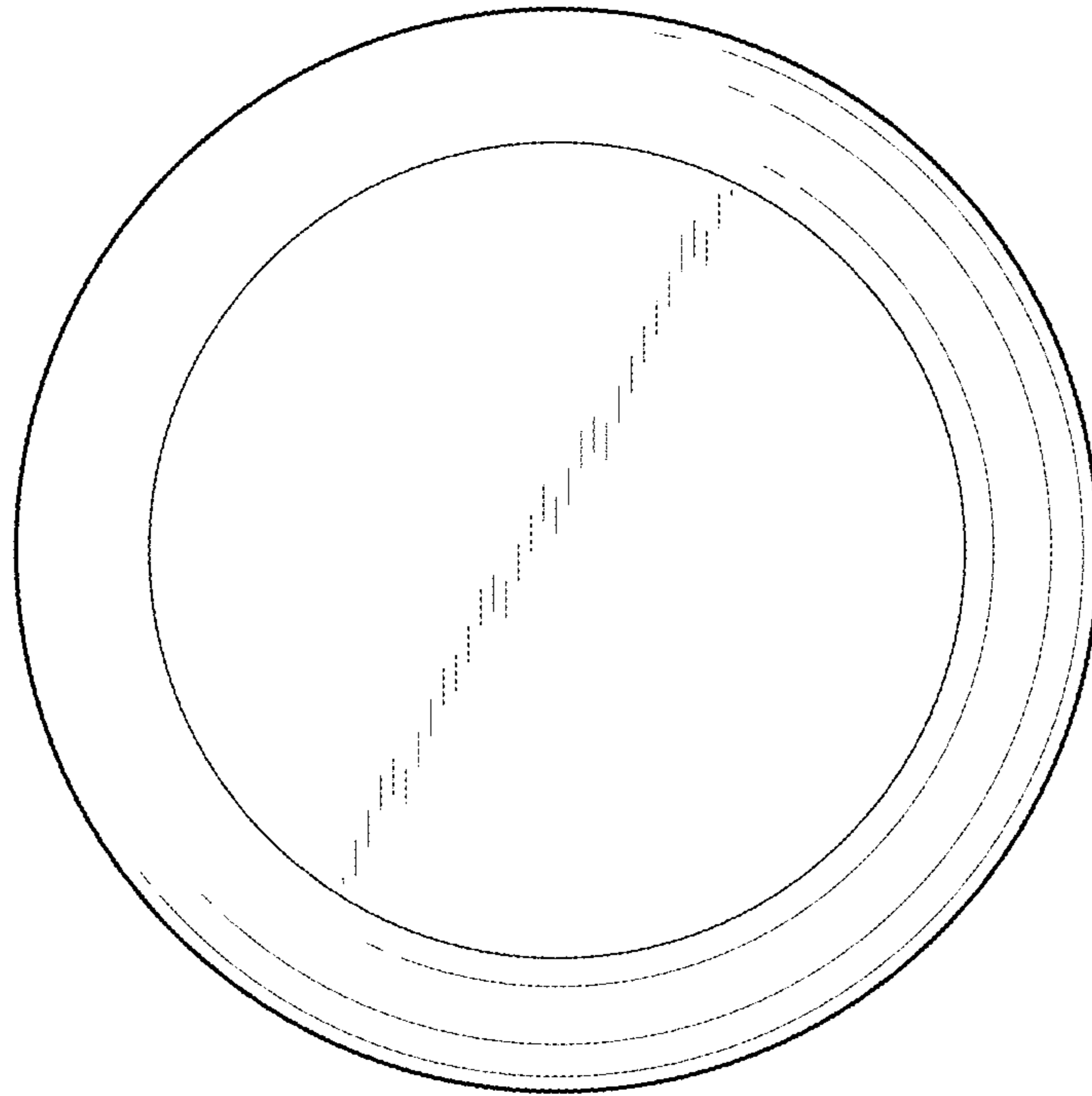


Fig. 7

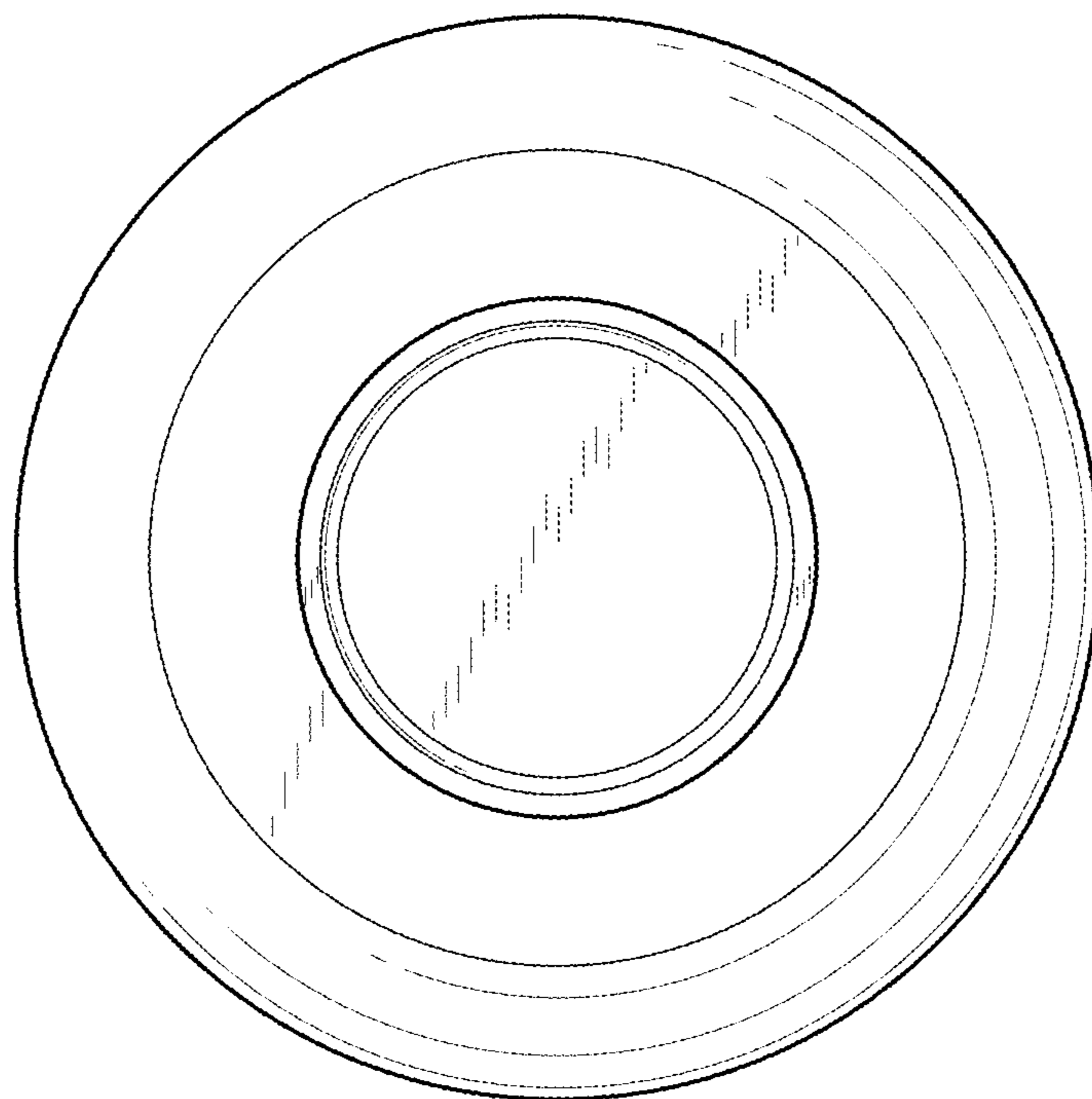


Fig. 8