



US00D809879S

(12) **United States Design Patent** (10) **Patent No.:** **US D809,879 S**
Cucci (45) **Date of Patent:** **** Feb. 13, 2018**

(54) ROLLER BOARD ASSEMBLY	4,862,793 A *	9/1989	Steiner	A47J 37/10 99/353
(71) Applicant: Jennifer Cucci , Surprise, AZ (US)	D382,776 S *	8/1997	McLeod	D7/698
(72) Inventor: Jennifer Cucci , Surprise, AZ (US)	7,213,508 B2 *	5/2007	Staton	A47J 29/00 99/353
(**) Term: 15 Years	D678,001 S *	3/2013	Cucci	D7/672
(21) Appl. No.: 29/531,977	D691,427 S *	10/2013	Cucci	D7/672
(22) Filed: Jun. 30, 2015	D691,431 S *	10/2013	Cucci	D7/672
	D732,908 S *	6/2015	Cucci	D7/672
	2004/0055475 A1 *	3/2004	Canicas	A21B 3/155 99/353
	2004/0212117 A1 *	10/2004	Lee	B28B 1/004 425/332
	2012/0222987 A1 *	9/2012	Cucci	A21C 11/00 206/526

Related U.S. Application Data

(63) Continuation-in-part of application No. 29/462,476, filed on Aug. 5, 2013, now Pat. No. Des. 732,908, which is a continuation-in-part of application No. 29/445,489, filed on Feb. 12, 2013, now Pat. No. Des. 691,427, which is a continuation of application No. 29/386,731, filed on Mar. 4, 2011, now Pat. No. Des. 678,001.

(51) **LOC (11) Cl.** **07-04**
(52) **U.S. Cl.**
USPC **D7/672**

(58) **Field of Classification Search**
USPC D7/672-679, 693, 359, 412, 376-386,
D7/372-375, 694-698; 83/932
CPC B26D 3/24-3/283; B26D
2003/285-2003/288; B26D 2210/02;
B26D 7/01; B26D 7/00; A47J 43/25;
A47J 43/255; A21C 11/00; A21C 11/008;
A21C 7/01; A21C 5/08; A21C 9/066
See application file for complete search history.

(56) **References Cited**

U.S. PATENT DOCUMENTS

432,127 A *	7/1890	Dyer	A21C 7/01 425/332
2,490,616 A *	12/1949	Brabazon	A21C 3/021 D7/697
D267,463 S *	1/1983	Thompson	D7/698

* cited by examiner

Primary Examiner — Susan Bennett Hattan
Assistant Examiner — Brett Miller
(74) *Attorney, Agent, or Firm* — IPTechLaw

(57) **CLAIM**

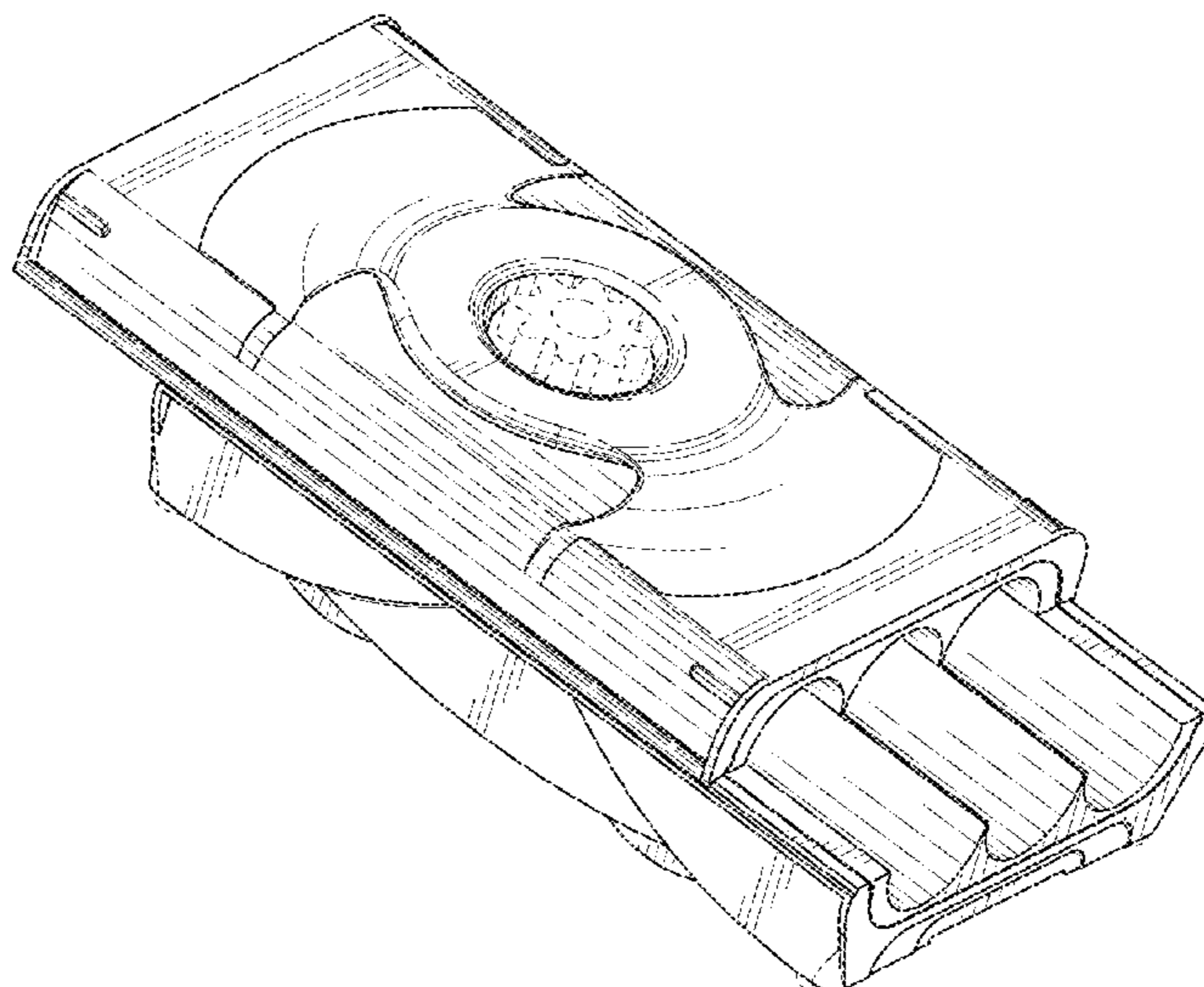
The ornamental design for a roller board assembly, as shown and described.

DESCRIPTION

FIG. 1 is perspective view of a roller board assembly; FIG. 2 is a front view thereof; FIG. 3 is a back view thereof; FIG. 4 is a right side view thereof; FIG. 5 is a left side view thereof; FIG. 6 is a top view thereof; FIG. 7 is a bottom view thereof; and, FIG. 8 is an exploded view of the roller board assembly of FIGS. 1-7.

All broken lines are directed to environment and are for illustrative purposes only and form no part of the claimed design. The dash-dot broken lines depict boundaries of the claimed design and form no part thereof.

1 Claim, 6 Drawing Sheets



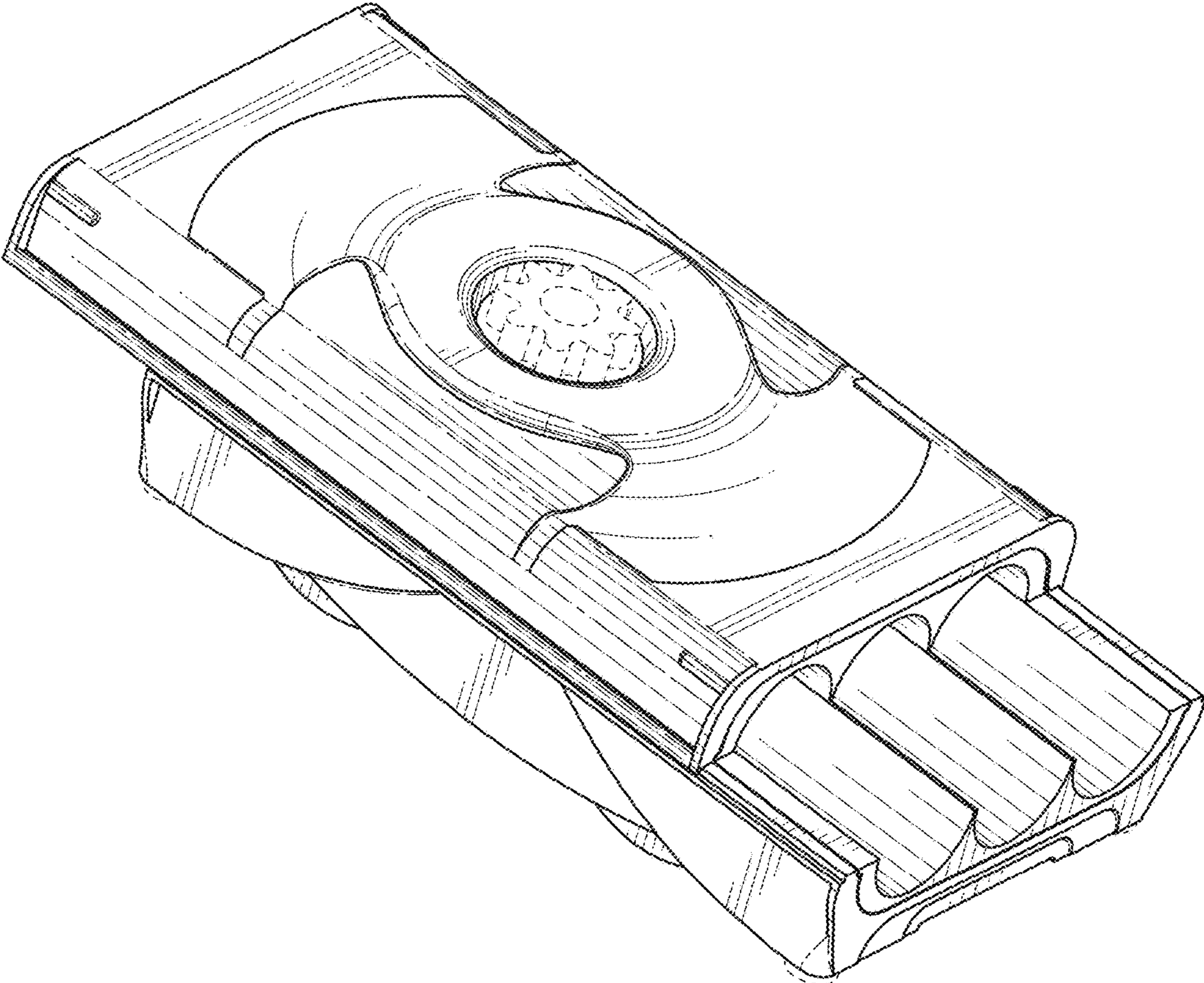


FIG. 1

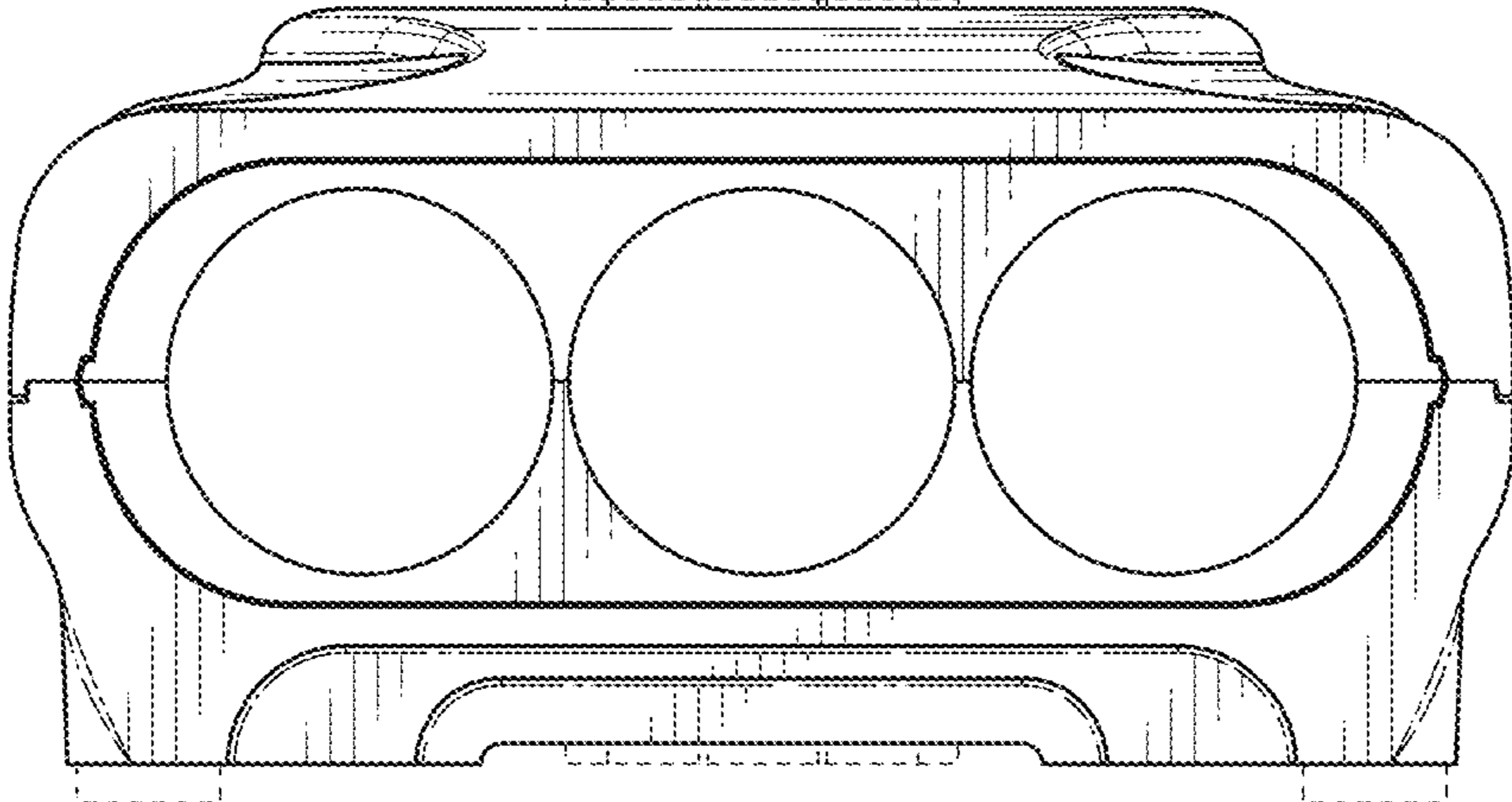


FIG. 2

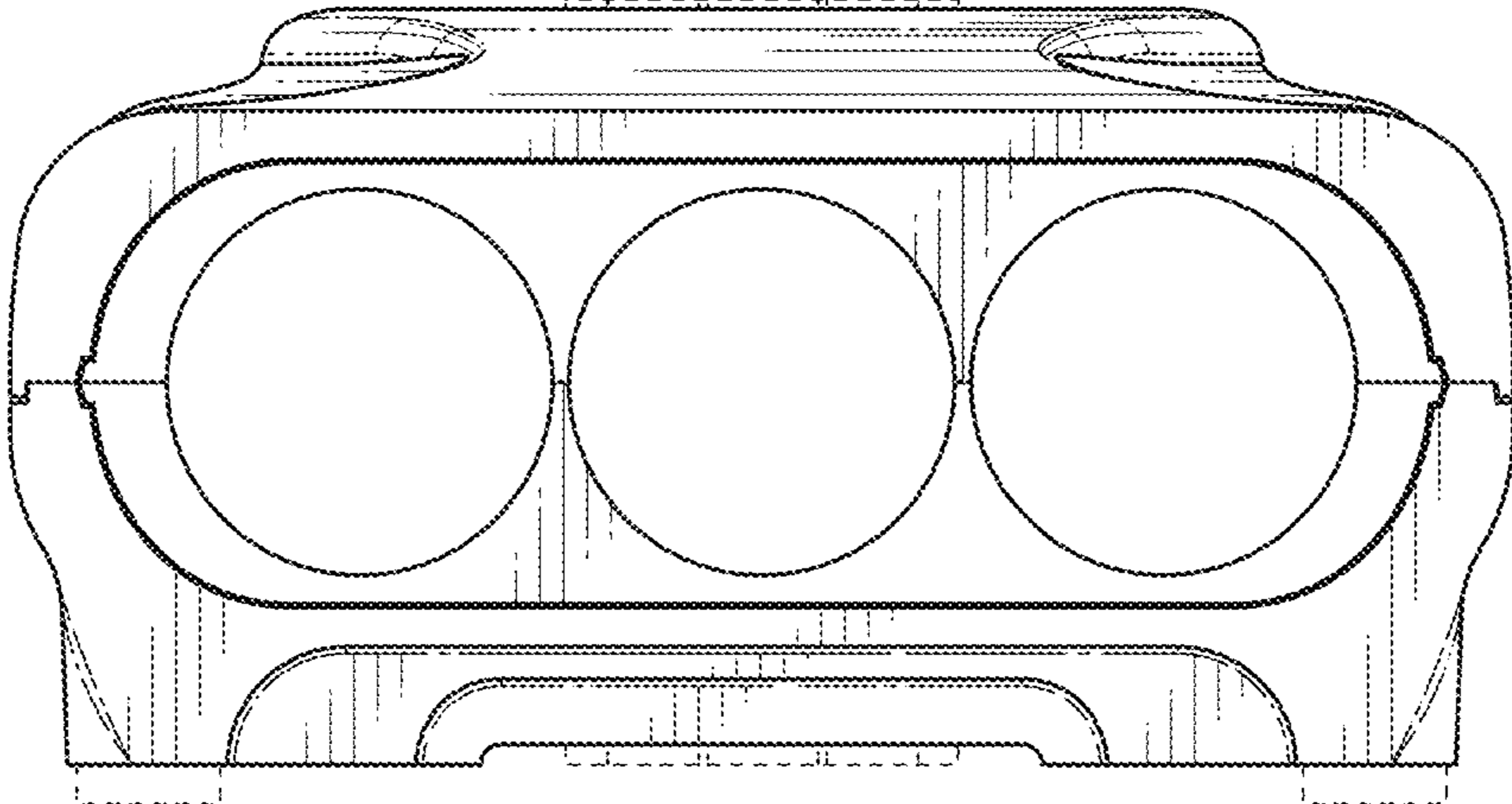


FIG. 3

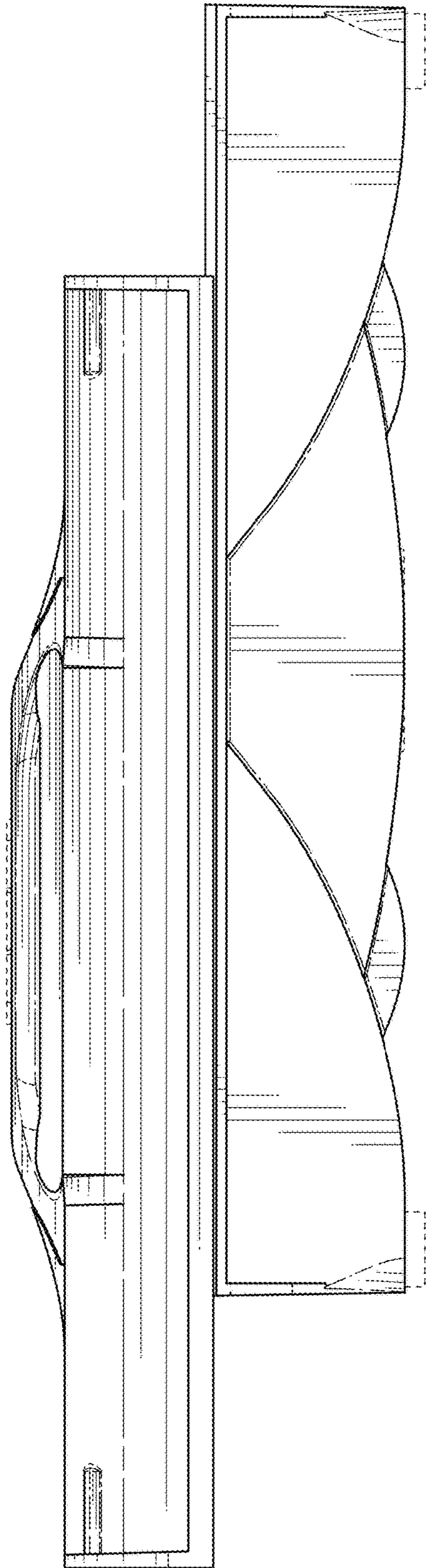


FIG. 4

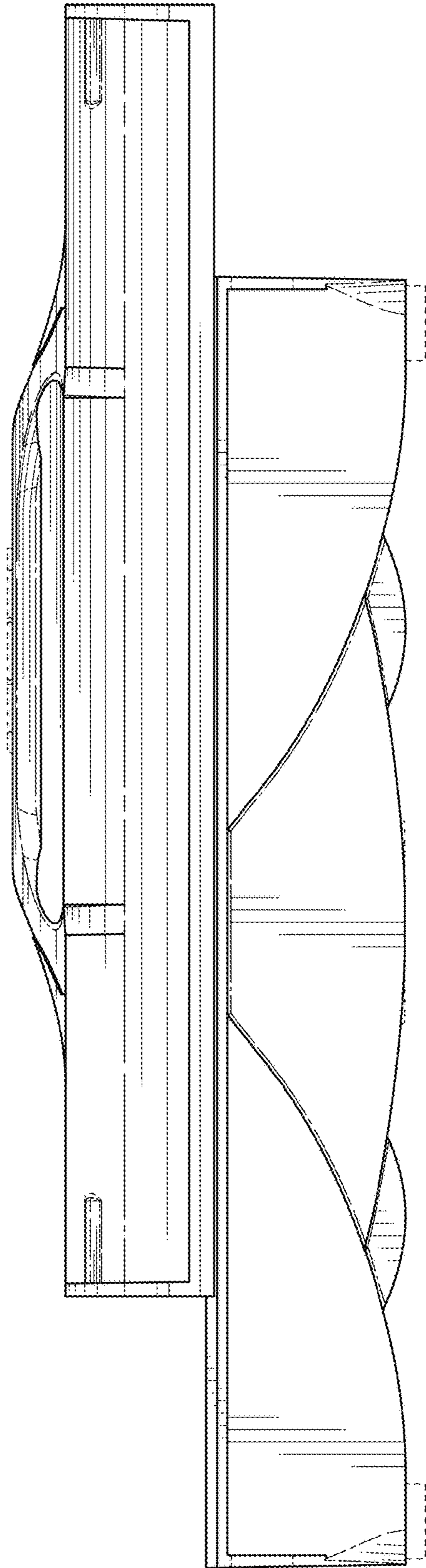


FIG. 5

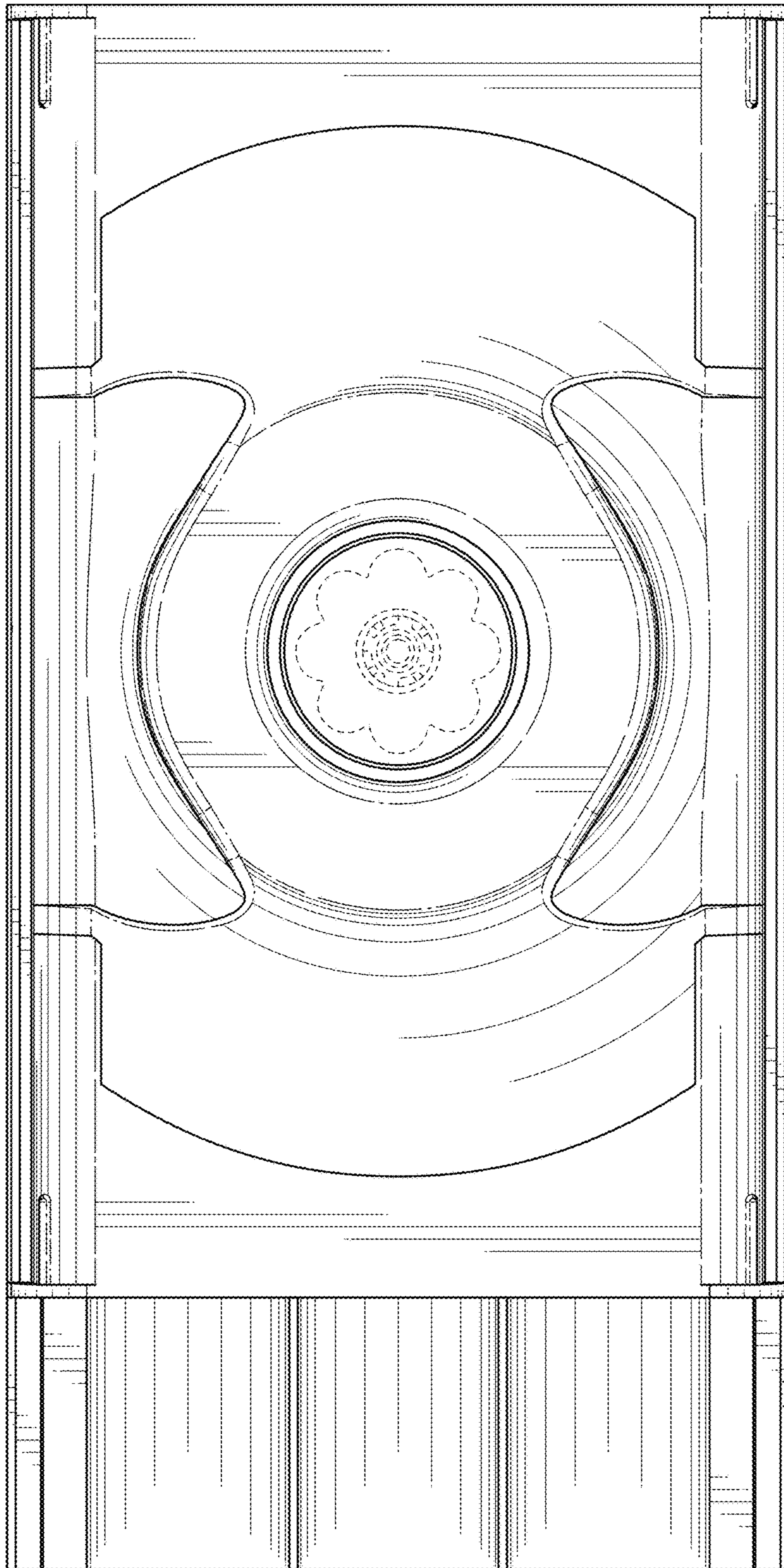


FIG. 6

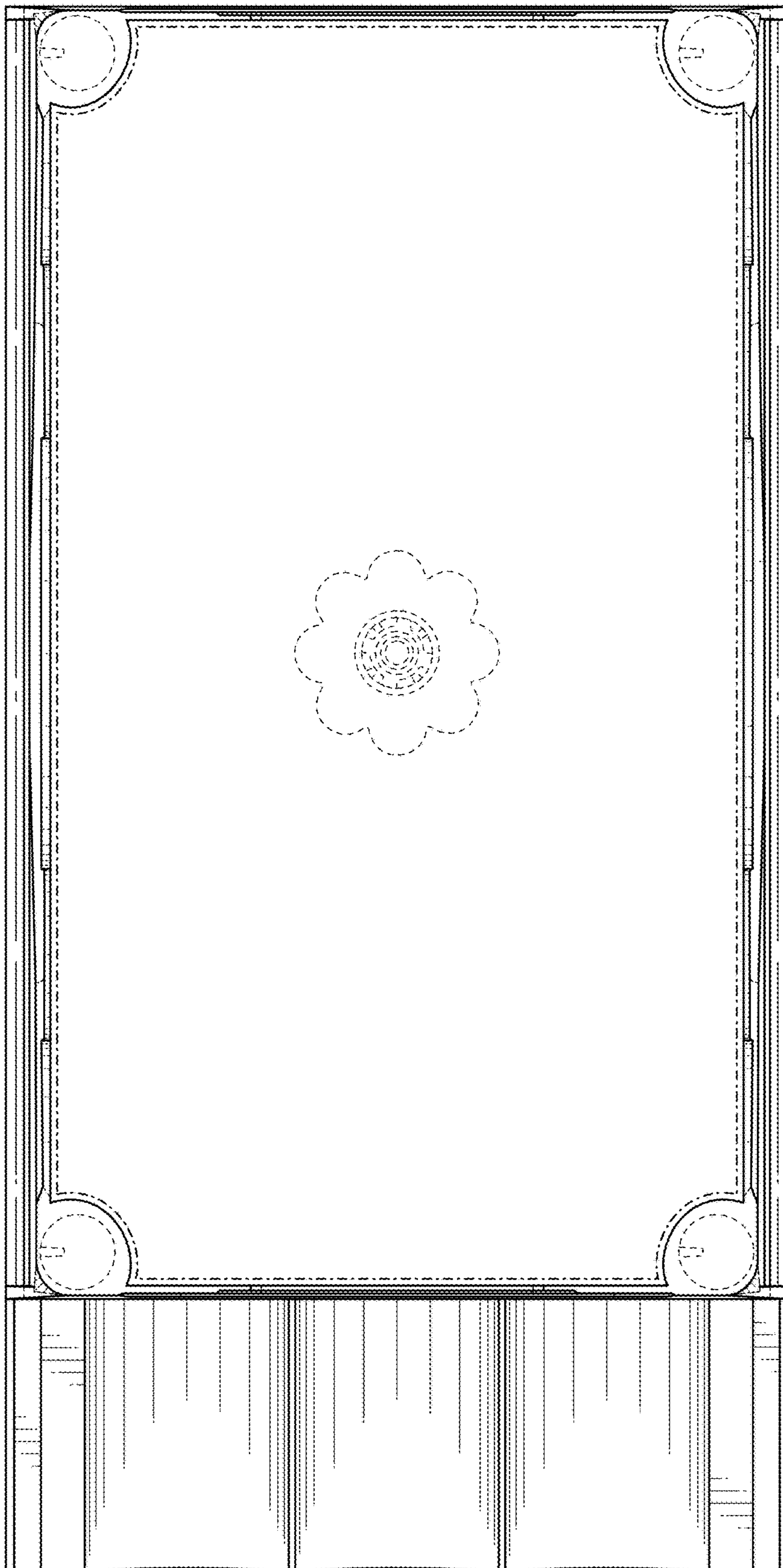


FIG. 7

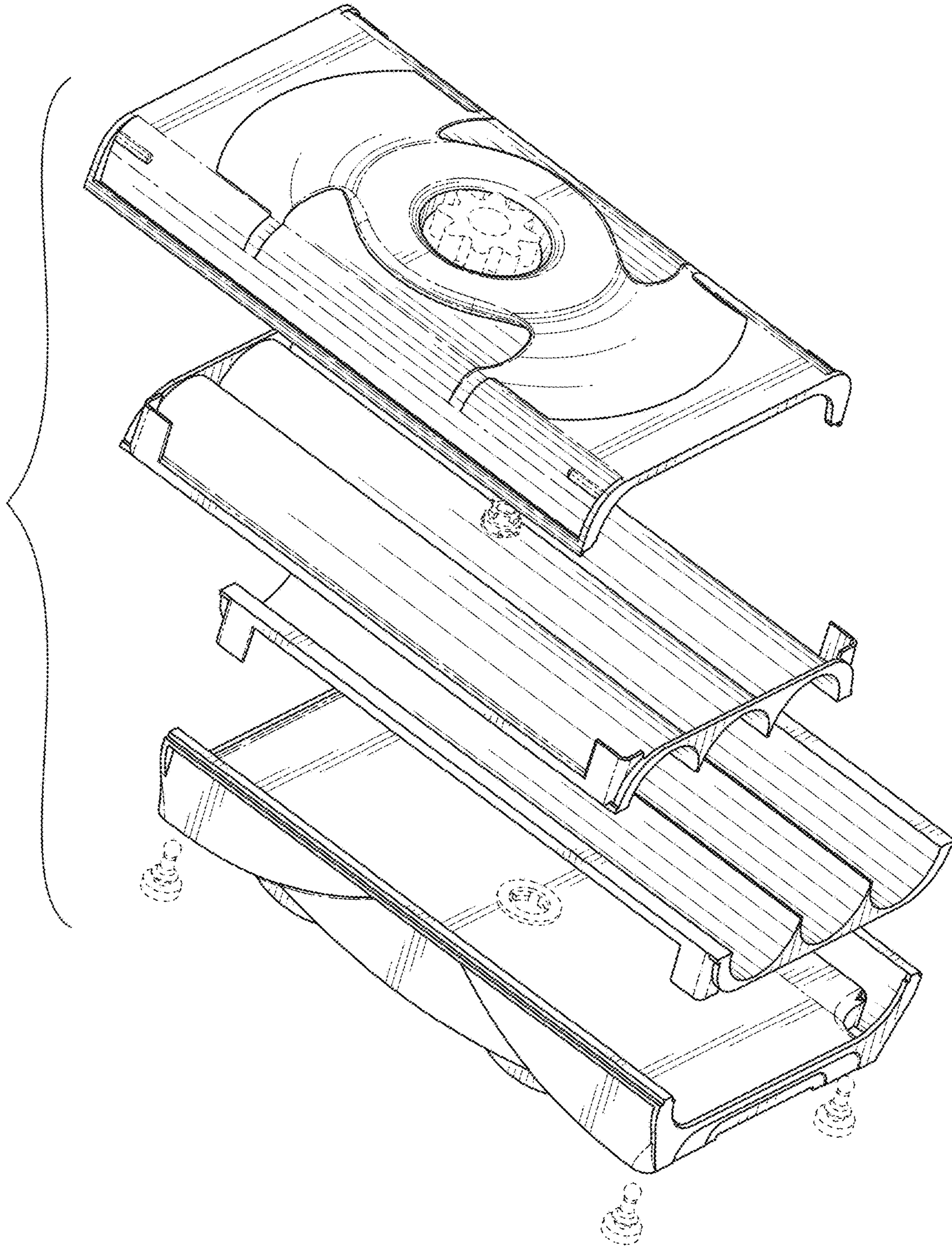


FIG. 8