



US00D809878S

(12) **United States Design Patent**
McFarland et al.

(10) **Patent No.:** **US D809,878 S**

(45) **Date of Patent:** **** Feb. 13, 2018**

(54) **DISPOSABLE TEASPOON**

(71) Applicant: **Max Packaging**, Attalla, AL (US)

(72) Inventors: **Gary McFarland**, Attalla, AL (US);
Dennis Ashley, Attalla, AL (US);
Frank James, Attalla, AL (US); **Rhys McFarland**, Attalla, AL (US)

(73) Assignee: **Gadsden Coffee Company Inc.**, Atalla, AL (US)

(**) Term: **15 Years**

(21) Appl. No.: **29/570,084**

(22) Filed: **Jul. 5, 2016**

(51) **LOC (11) Cl.** **07-03**

(52) **U.S. Cl.**
USPC **D7/653; D7/401.2**

(58) **Field of Classification Search**
USPC D7/368, 401.2, 642-645, 653-664, 669,
D7/675-677, 683, 688-689, 691;
D8/107, 300-301; D22/117-118
CPC ... A01D 9/02; A01D 9/04; A01D 9/06; A47G
21/00; A47G 21/004; A47G 21/005;
A47G 21/02; A47G 21/023; A47G 21/04;
A47G 21/06; A47G 21/08; A47J 43/28;
A47J 43/281; A47J 43/282; A61F 13/10;
A61J 7/0023; B25G 1/00; B25G 1/01;
B25G 1/02; B25G 3/00; B65D 71/00;
B65D 75/56; B65D 75/563; B65D
75/566; B67B 7/00; B67B 7/724; B67B
7/73

See application file for complete search history.

(56) **References Cited**

U.S. PATENT DOCUMENTS

D50,626 S * 4/1917 Malmquist D7/653
D193,734 S * 10/1962 Jainecker D7/653

D197,666 S * 3/1964 Denzel D7/653
D235,242 S * 6/1975 Dart et al. D7/653
D236,420 S * 8/1975 Dart et al. D7/653
5,904,250 A * 5/1999 De Schutter A47G 21/06
206/553
D490,661 S * 6/2004 Shane-Schuldt D7/653
D530,573 S * 10/2006 Wagner D7/653
D531,860 S * 11/2006 Lee D7/653
D614,913 S * 5/2010 Ito D7/401.2
D756,172 S * 5/2016 Mou D7/653
D778,123 S * 2/2017 Mou D7/401.2
D778,124 S * 2/2017 Mou D7/401.2

* cited by examiner

Primary Examiner — Ricky Pham

(74) *Attorney, Agent, or Firm* — Michael Indrajana, Esq.

(57) **CLAIM**

The ornamental design for a disposable teaspoon, as shown and described.

DESCRIPTION

FIG. 1 is a perspective view of a disposable teaspoon incorporating the new design.

FIG. 2 is an alternate perspective view of a disposable teaspoon incorporating the new design.

FIG. 3 is a top view of a disposable teaspoon incorporating the new design.

FIG. 4 is a bottom view of a disposable teaspoon incorporating the new design.

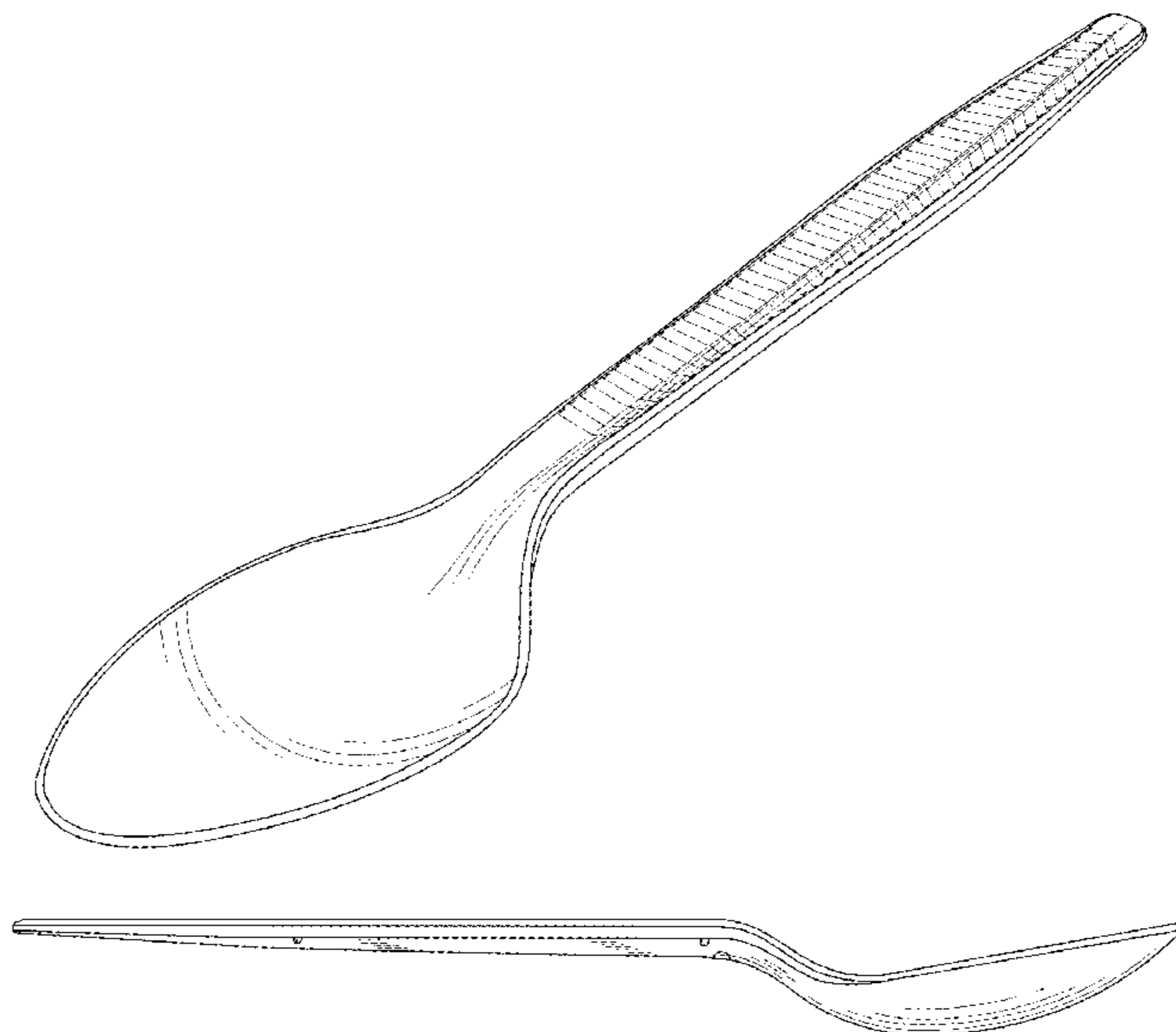
FIG. 5 is a right view of a disposable teaspoon incorporating the new design.

FIG. 6 is a left view of a disposable teaspoon incorporating the new design.

FIG. 7 is a rear view of a disposable teaspoon incorporating the new design; and,

FIG. 8 is a front view of a disposable teaspoon incorporating the new design.

1 Claim, 8 Drawing Sheets



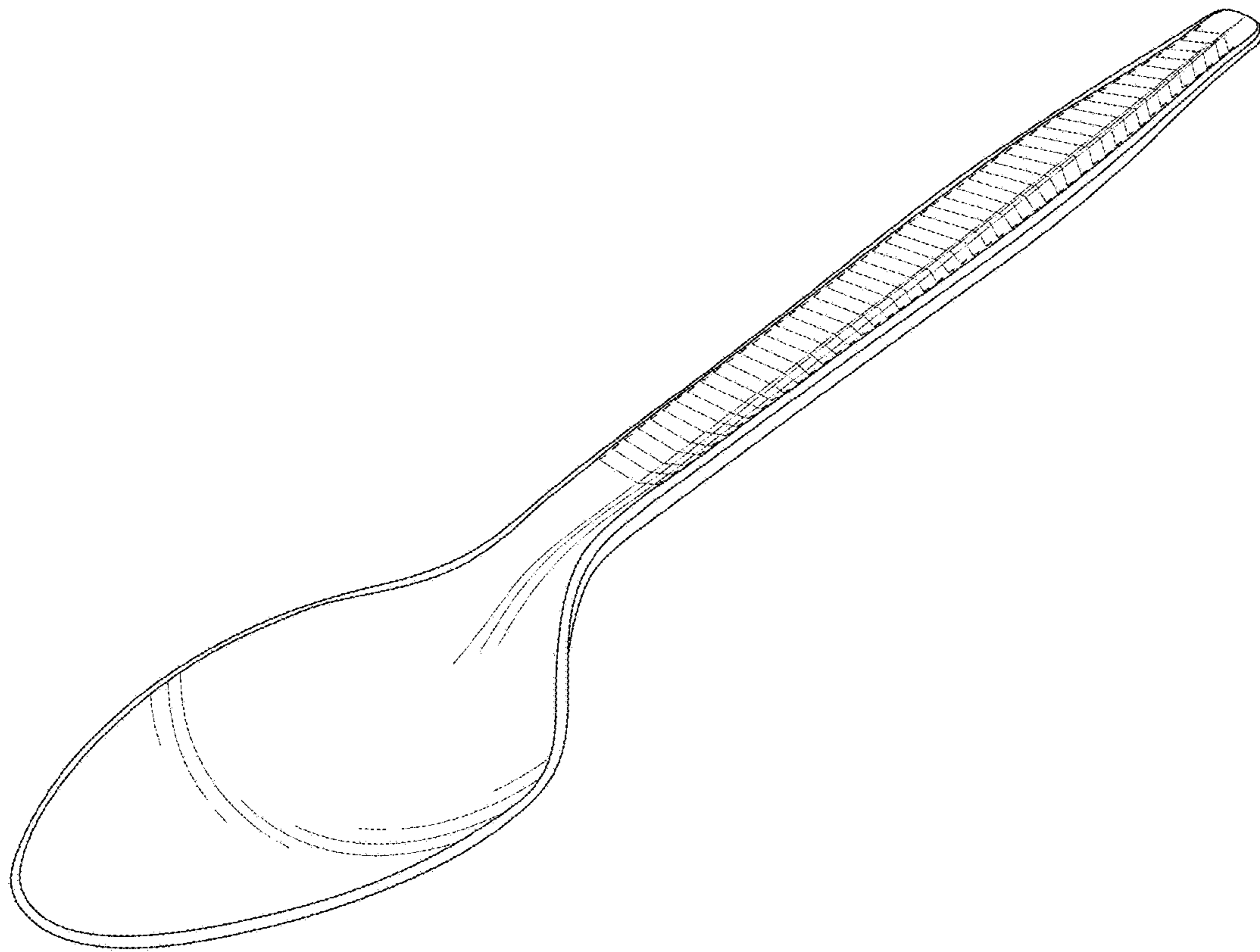


FIG. 1

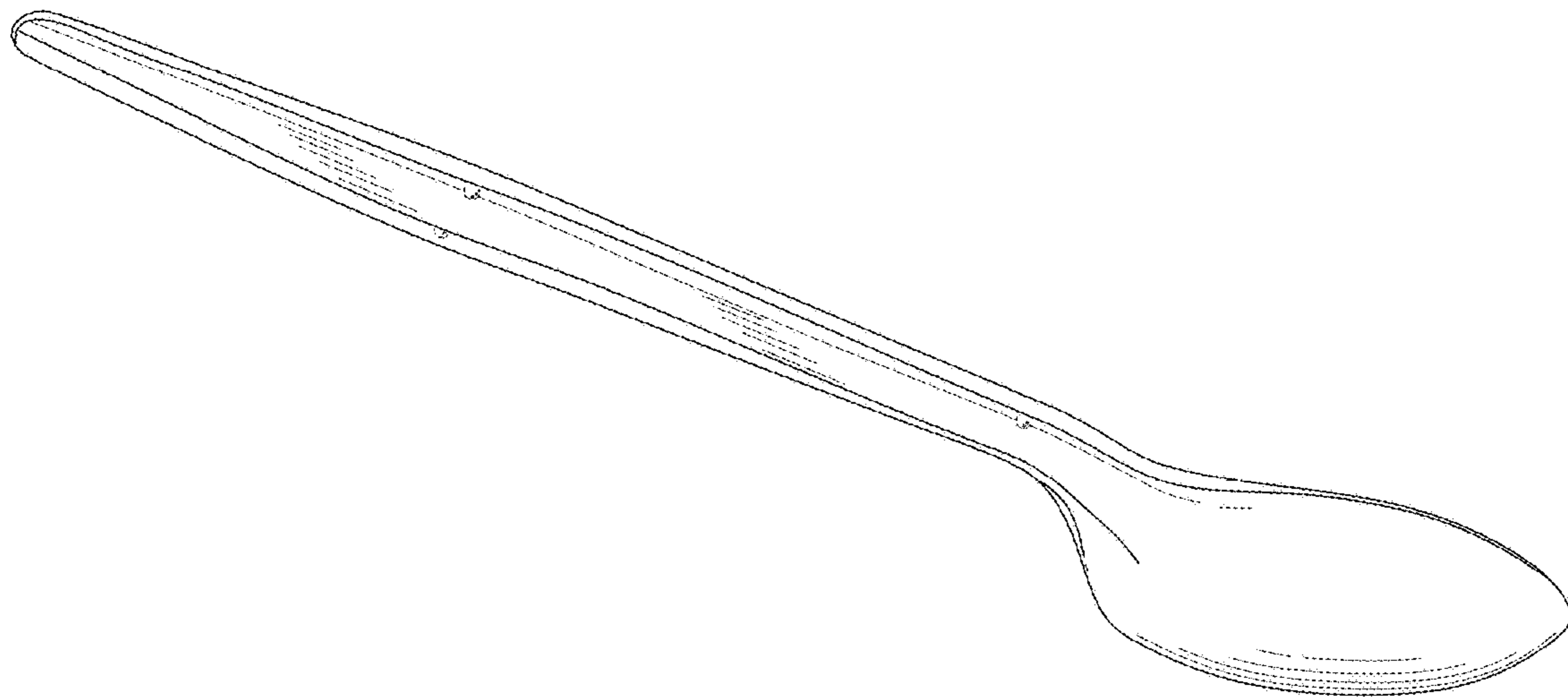


FIG. 2

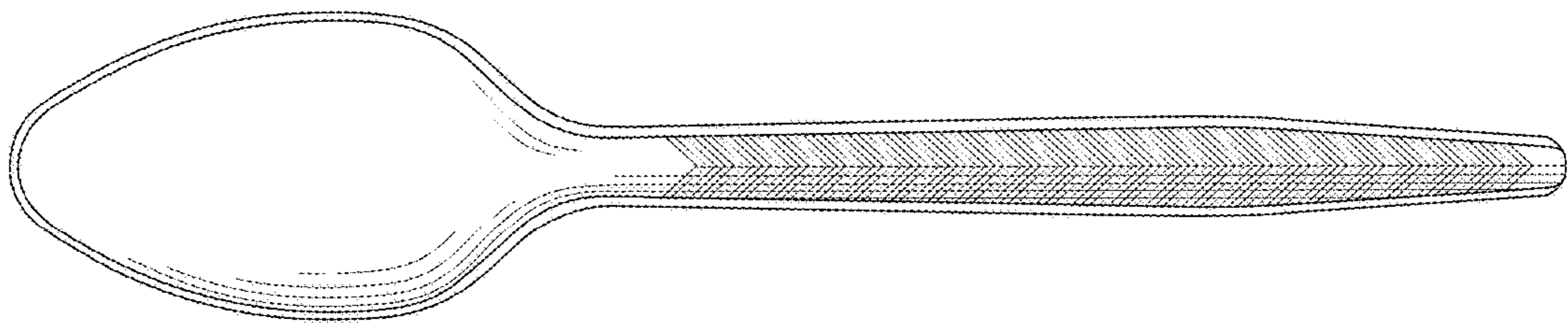


FIG. 3

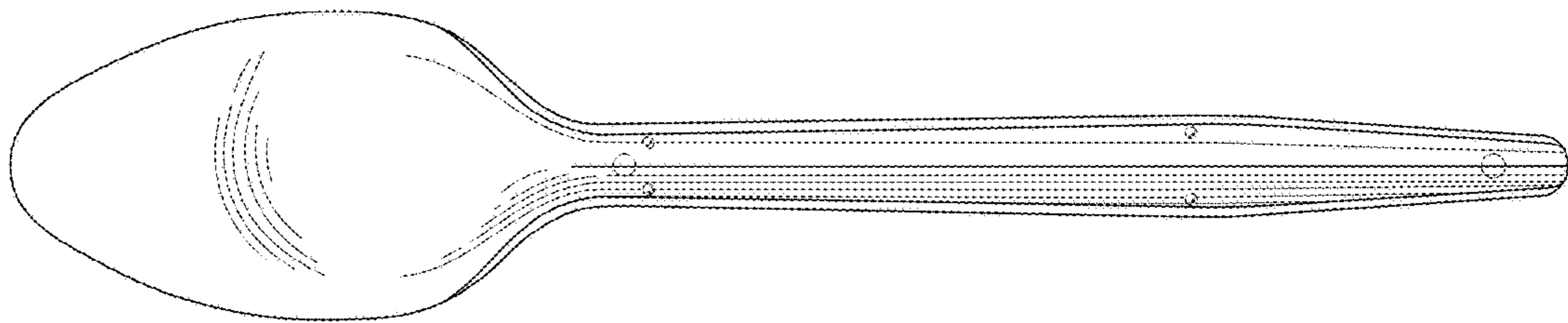


FIG. 4



FIG. 5

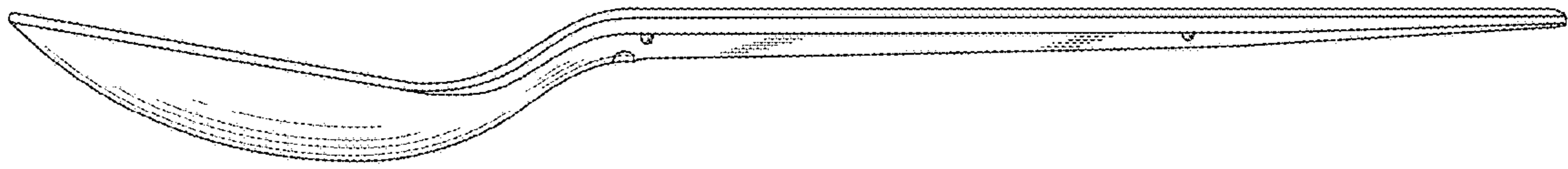


FIG. 6

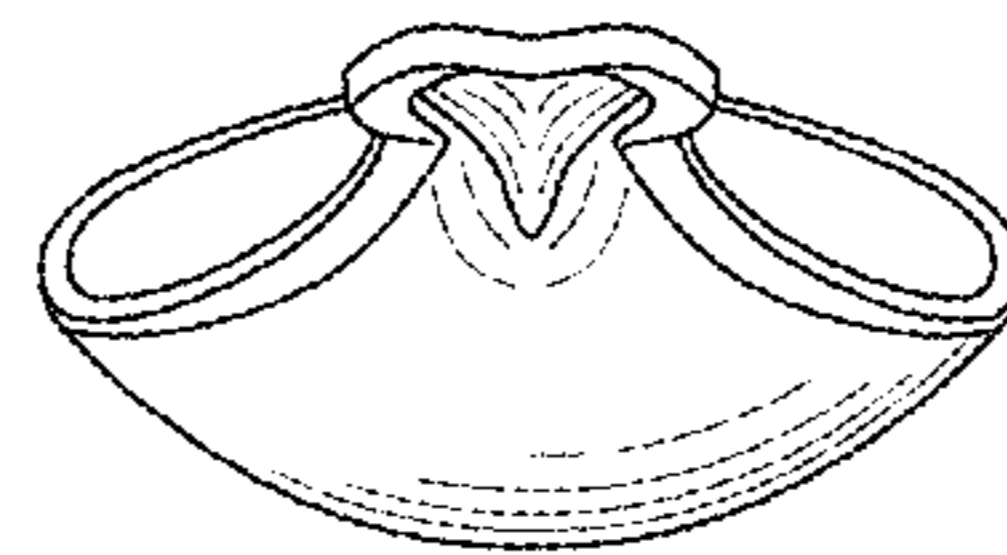


FIG. 7

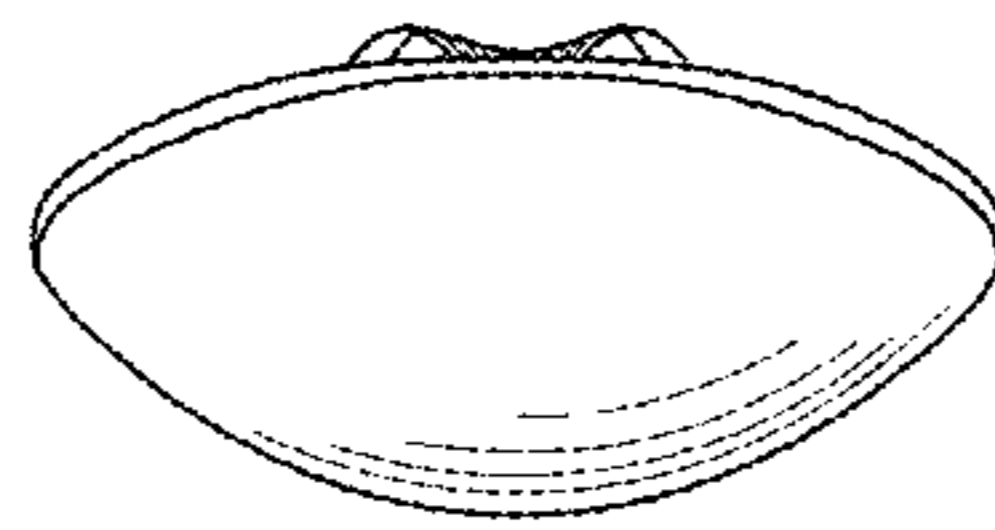


FIG. 8