



US00D809877S

(12) **United States Design Patent**
Black

(10) **Patent No.:** **US D809,877 S**

(45) **Date of Patent:** **** Feb. 13, 2018**

(54) **LUNCH BOX BOOK**

(71) Applicant: **Black + Blum Ltd.**, London (GB)

(72) Inventor: **Daniel Shields Black**,
Northamptonshire (GB)

(73) Assignee: **BLACK + BLUM LTD.** (GB)

(**) Term: **15 Years**

(21) Appl. No.: **29/580,705**

(22) Filed: **Oct. 12, 2016**

(30) **Foreign Application Priority Data**

Aug. 17, 2016 (EM) 003344266-0001

Aug. 17, 2016 (EM) 003344266-0002

(51) **LOC (11) Cl.** **07-07**

(52) **U.S. Cl.**
USPC **D7/629**

(58) **Field of Classification Search**

USPC D7/629, 538-542, 601, 602, 630;
D9/415-419, 424-432; 206/541-548,
206/216, 217; 220/4.21, 4.24, 236, 326,
220/573.1, 574-575, 780, 789-794, 801,
220/802

CPC . A47J 47/02; A47J 47/08; A47J 47/10; A47G
19/00; B65D 1/26; B65D 43/0206; B65D
43/0214; B65D 43/00; B65D 1/00; B65D
1/22; B65D 1/32; B65D 1/14; B65D
1/24; B65D 1/34; B65D 3/00; B65D
3/02; B65D 3/28; B65D 5/00; B65D
5/0085; B65D 5/009; B65D 5/18; B65D
7/00; B65D 7/02; B65D 11/00; B65D
11/02; B65D 11/10; B65D 39/00

See application file for complete search history.

(56) **References Cited**

U.S. PATENT DOCUMENTS

D304,008 S * 10/1989 Hornung D3/271.5
5,181,612 A 1/1993 Liu

D682,052 S * 5/2013 Thomas D7/629
D744,825 S 12/2015 Johansen
D763,629 S 8/2016 Swartz et al.
D767,950 S * 10/2016 Kraemer D7/629

(Continued)

OTHER PUBLICATIONS

“Adorable and Ornate Book Style Red Japanese Lunch Box”,
<http://www.mrslinckitchen.com/1260.html>, accessed on Dec. 14,
2016.

Primary Examiner — Wan Laymon

Assistant Examiner — Mark Booker

(74) *Attorney, Agent, or Firm* — J.A. Lindeman & Co.,
PLLC

(57) **CLAIM**

The ornamental design for a lunch box book, as shown and
described.

DESCRIPTION

FIG. 1 is a front and right side perspective view of the lunch
box book in accordance with my new design.

FIG. 2 is a front and right side exploded view of the lunch
box book of FIG. 1 with the decorative band removed.

FIG. 3 is a front view of the lunch box book of FIG. 1.

FIG. 4 is a left side view of the lunch box book of FIG. 1.

FIG. 5 is a top view of the lunch box book of FIG. 1.

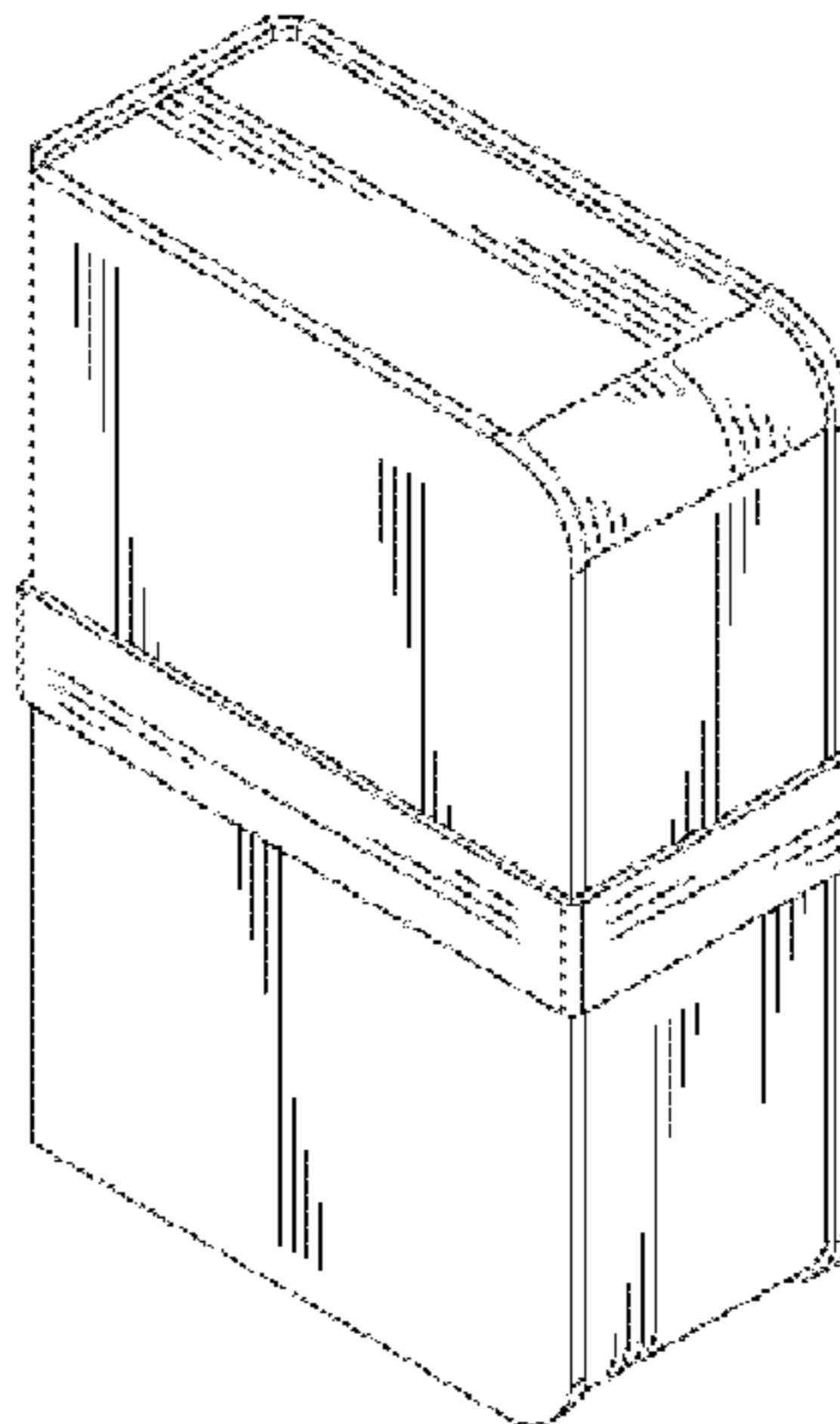
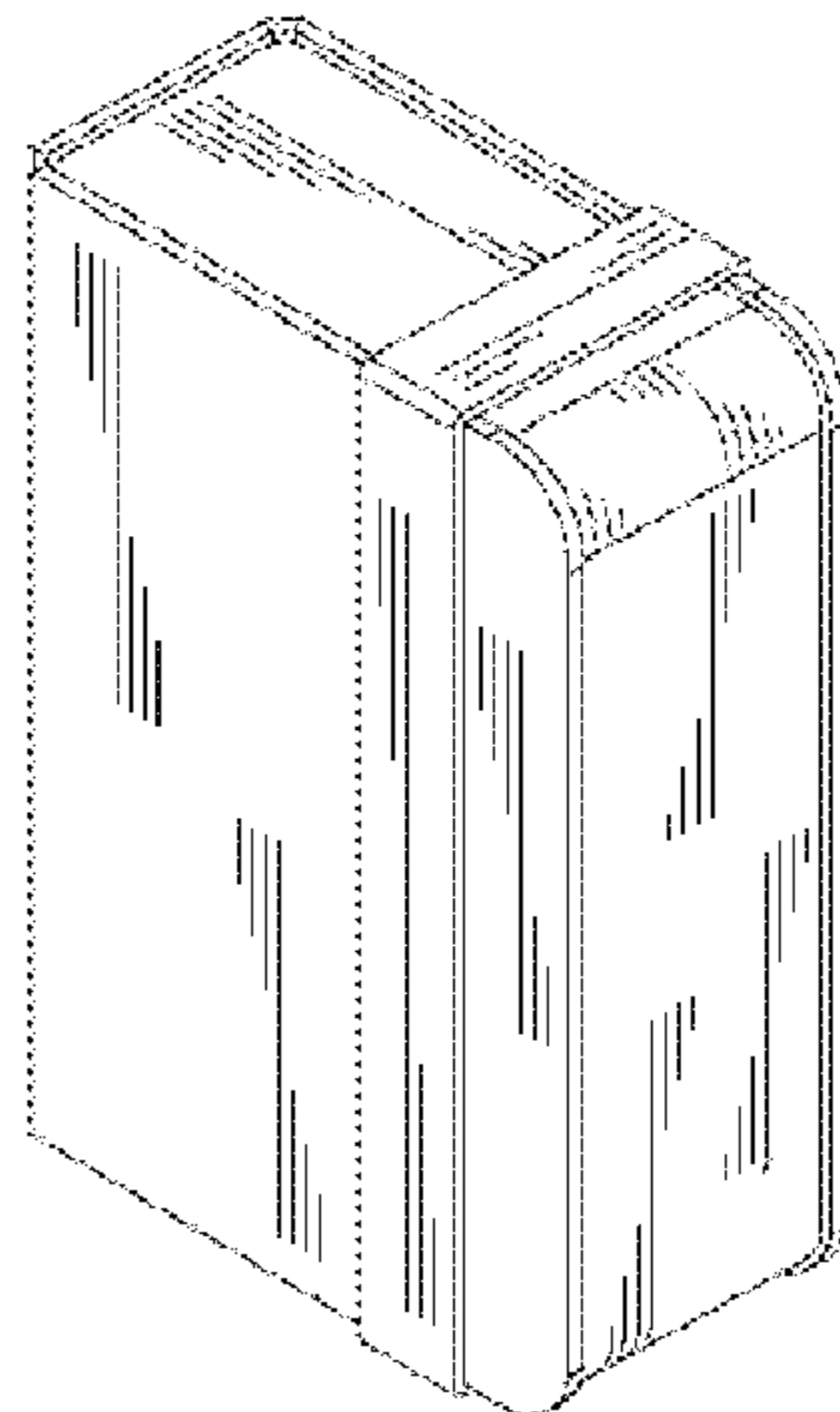
FIG. 6 is a front and right side perspective view of the lunch
box book of FIG. 1 in an open position.

FIG. 7 is a bottom view of the lunch box book of FIG. 1 in
an open position.

FIG. 8 is a front and right side perspective view of a
variation of the lunch box book of FIG. 1; and,

FIG. 9 is a front and right side exploded view of the variation
of the lunch box book of FIG. 8.

1 Claim, 9 Drawing Sheets



(56)

References Cited

U.S. PATENT DOCUMENTS

2014/0332527 A1* 11/2014 Judd A45C 11/20
220/4.21

* cited by examiner

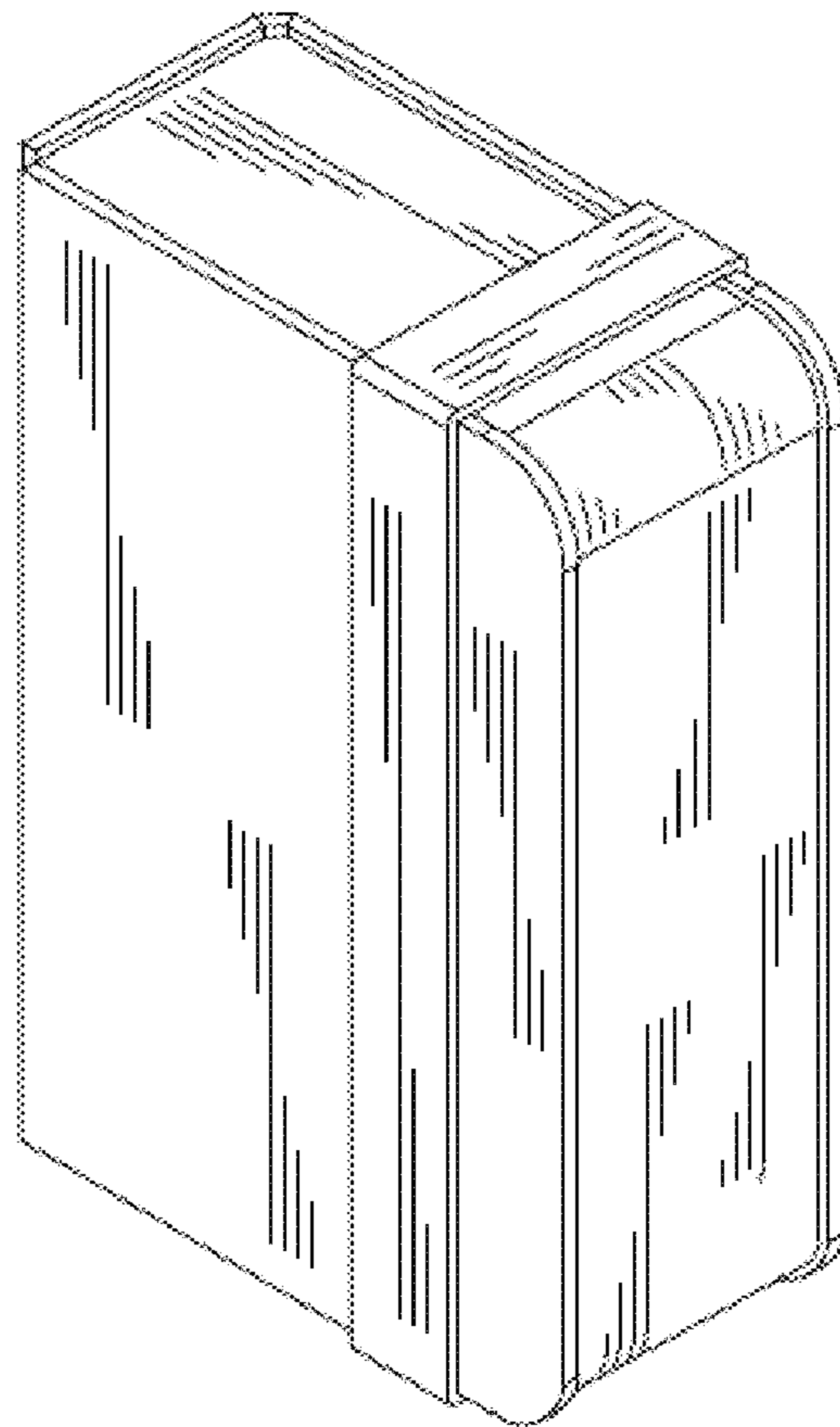


FIG.1

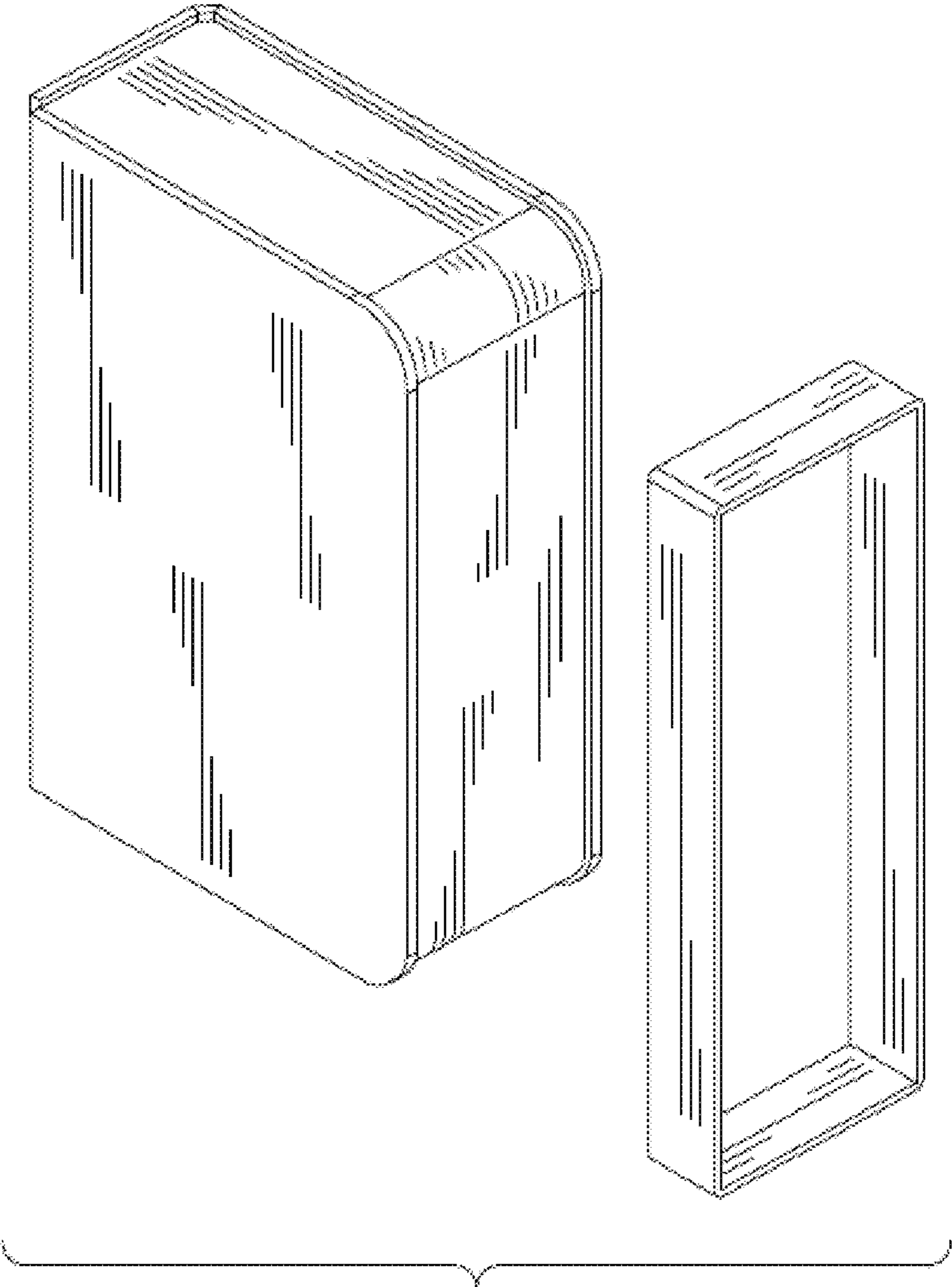


FIG.2

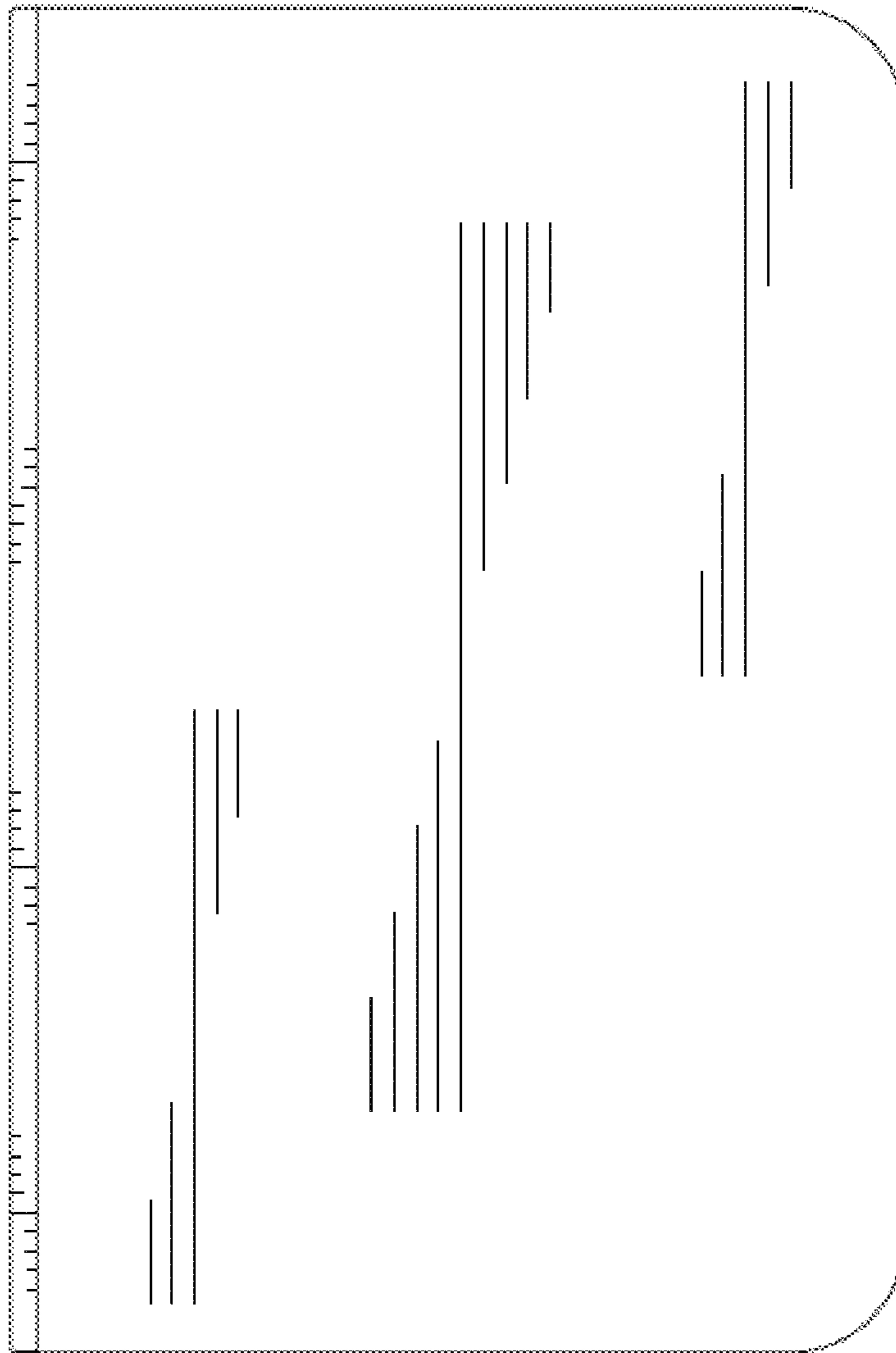


FIG.3

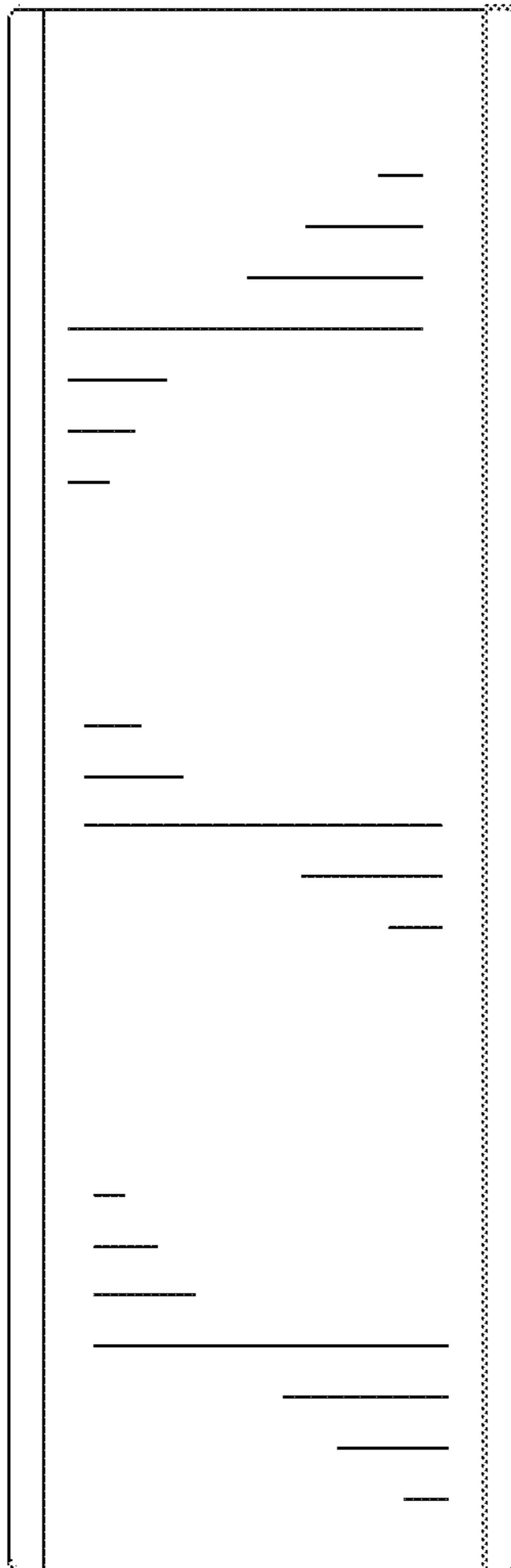


FIG.4

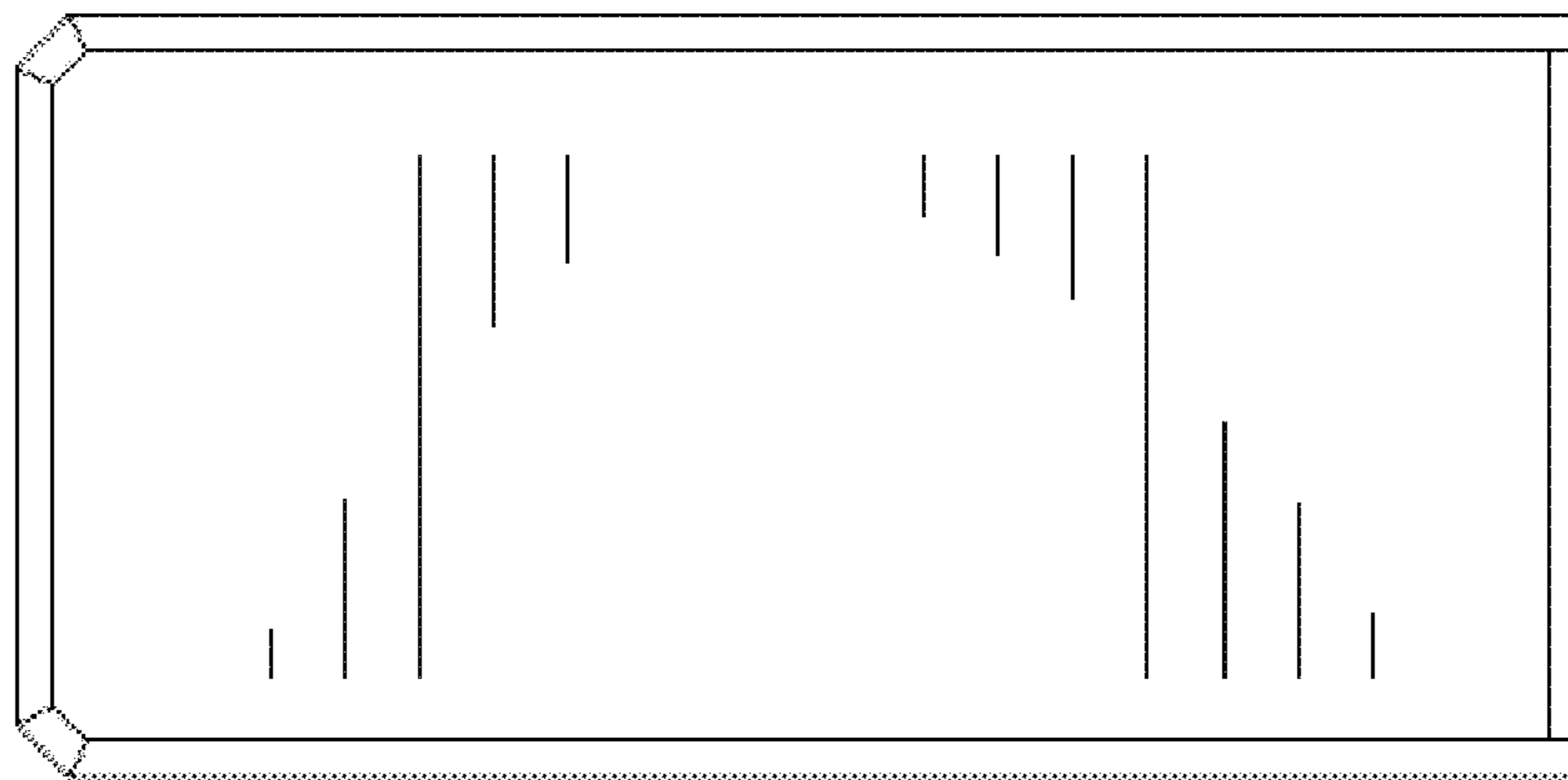


FIG.5

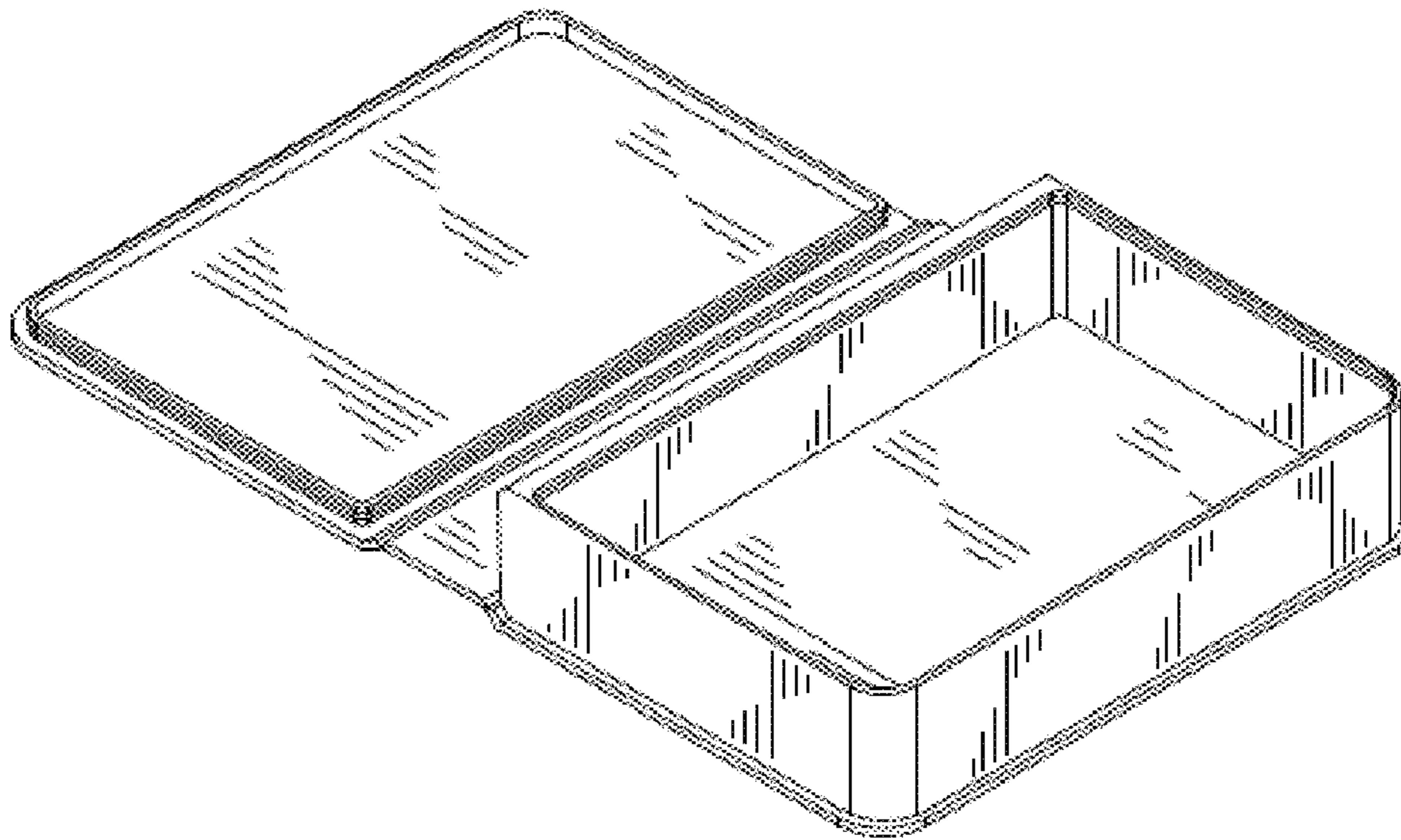


FIG.6

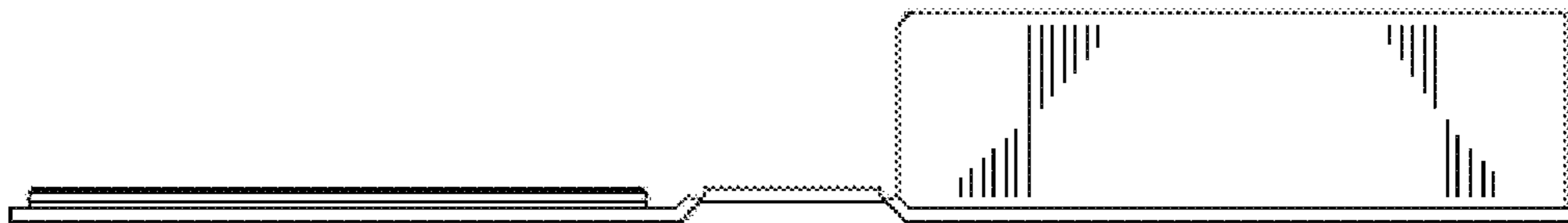


FIG.7

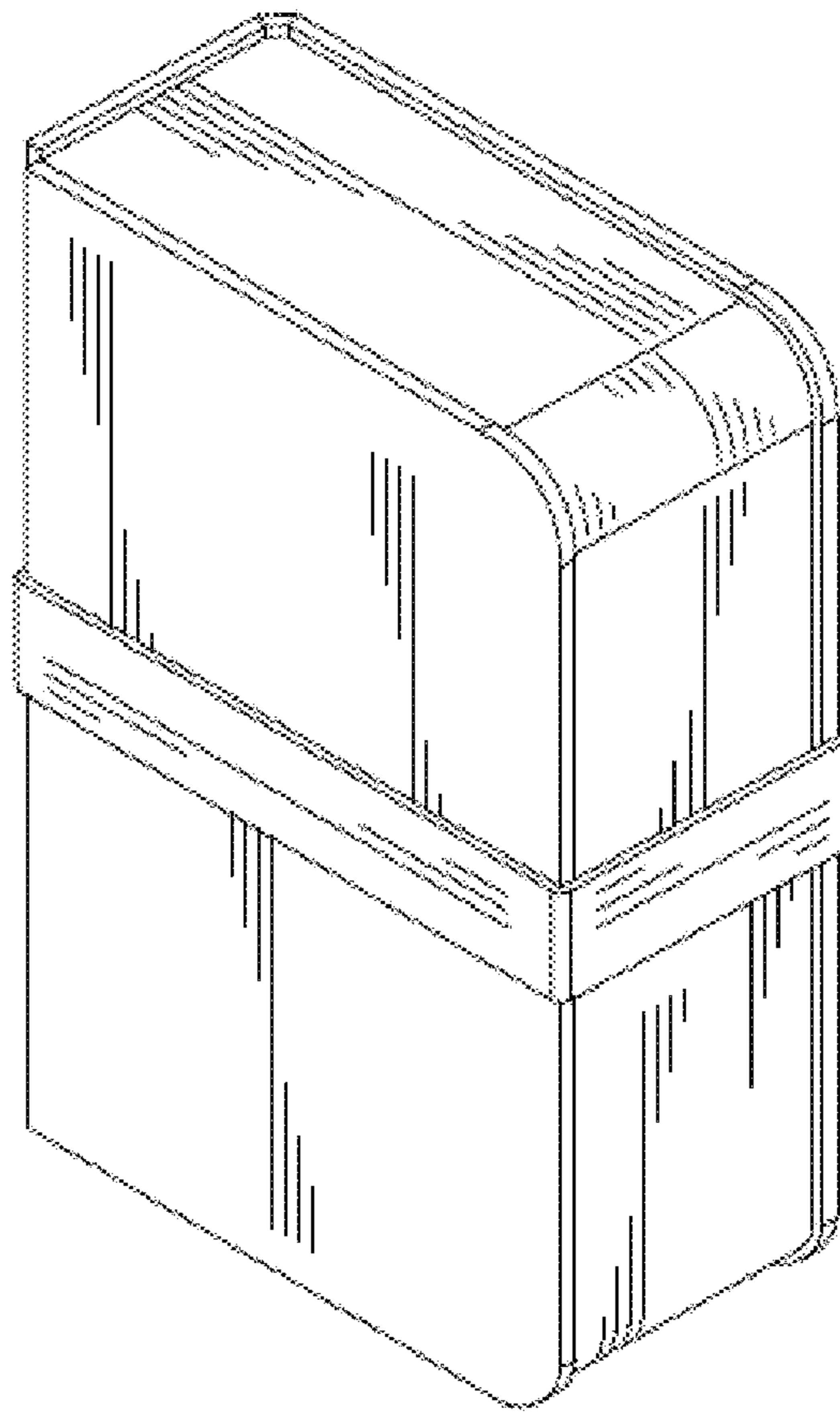


FIG.8

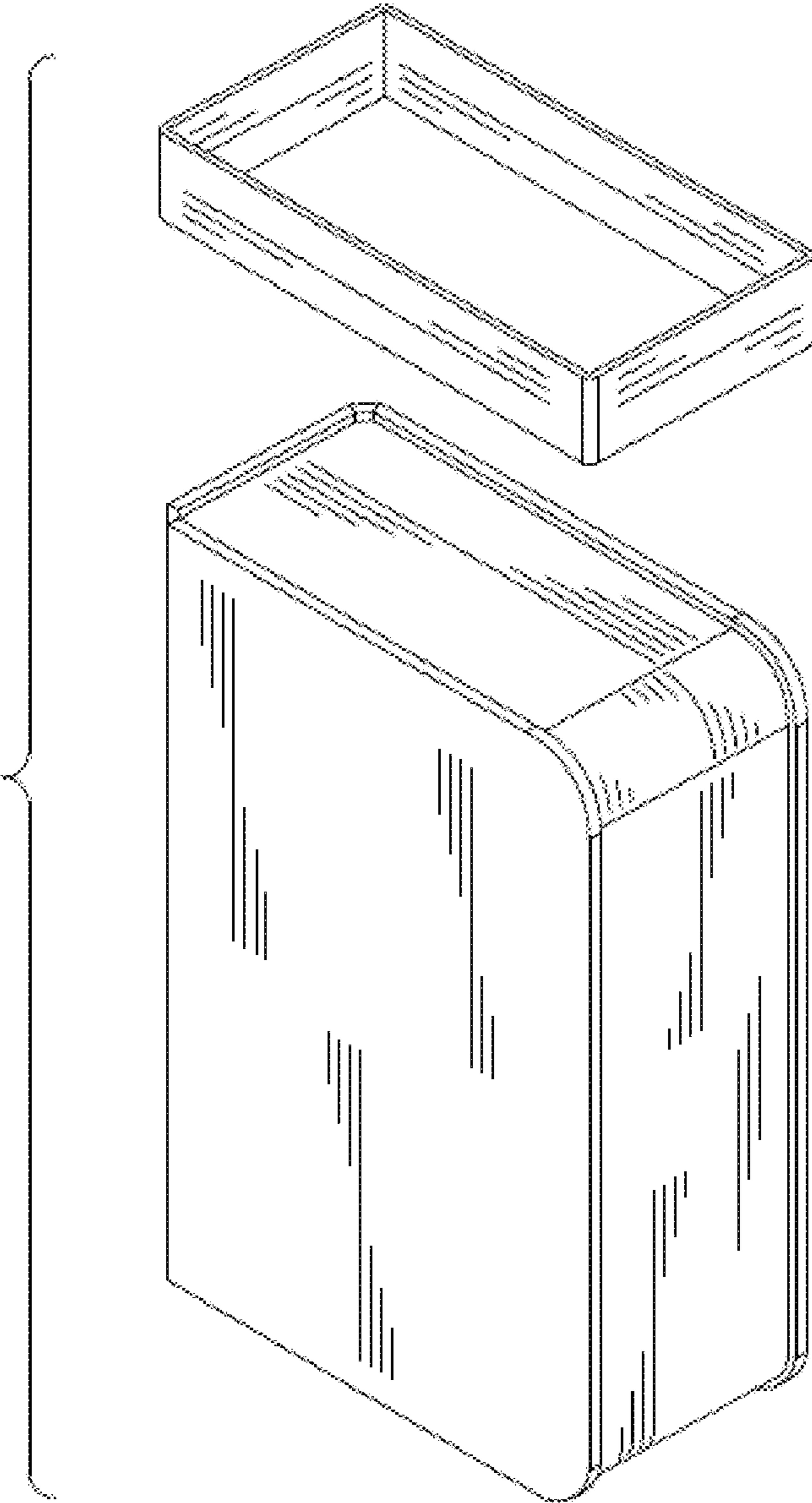


FIG.9