



US00D809876S

(12) **United States Design Patent** (10) **Patent No.:** **US D809,876 S**
Delgado Carmona (45) **Date of Patent:** **** Feb. 13, 2018**

(54) **SNACK CUP WITH BEAR SHAPE**

(71) Applicant: **Dart Industries Inc.**, Orlando, FL (US)

(72) Inventor: **Sara L. Delgado Carmona**, Orlando, FL (US)

(73) Assignee: **Dart Industries Inc.**, Orlando, FL (US)

(**) Term: **15 Years**

(21) Appl. No.: **29/565,393**

(22) Filed: **May 20, 2016**

(51) **LOC (11) Cl.** **07-01**

(52) **U.S. Cl.**
 USPC **D7/628; D9/608; D7/578; D7/516; D7/564; D7/539; D7/544**

(58) **Field of Classification Search**
 USPC **D7/507, 510, 509, 300.1, 300, 397, 536, D7/514, 515, 544, 539, 516, 564, 578, D7/628; D9/605, 604, 608, 601; 222/175; 224/148.6, 148.2, 148.3**
 CPC **A45F 3/20; A45F 2005/008; A45F 5/00; A45F 3/16**
 See application file for complete search history.

5,614,275 A * 3/1997 Chan A47G 19/2227 220/574

D401,141 S * 11/1998 Carroll D9/608

D419,867 S * 2/2000 Hager D9/608

D490,305 S * 5/2004 Takacs D7/599

D504,052 S * 4/2005 Wang D7/628

D540,621 S * 4/2007 Wahl D7/515

D554,432 S * 11/2007 Roth D7/510

D573,894 S * 7/2008 Takacs D21/604

D690,995 S * 10/2013 Franco D7/515

D692,278 S * 10/2013 Perez D11/149

D693,228 S * 11/2013 Kelley D9/608

D722,805 S * 2/2015 Banos D24/198

D739,254 S * 9/2015 Delgado Carmona D9/605

D766,094 S * 9/2016 Delgado Carmona D9/607

D766,730 S * 9/2016 Delgado Carmona D9/608

D777,513 S * 1/2017 Nguyen D7/400

D782,252 S * 3/2017 Delgado Carmona D7/628

(Continued)

OTHER PUBLICATIONS

U.S. Appl. No. 29/533,915, filed Jul. 23, 2015, Delgado Carmona.

Primary Examiner — Marianne Pandozzi
(74) *Attorney, Agent, or Firm* — Taylor J. Ross

(57) **CLAIM**

The ornamental design for a snack cup with bear shape, as shown and described.

DESCRIPTION

FIG. 1 is a top, front and left side perspective view of a snack cup with bear shape showing my new design;
 FIG. 2 is a bottom, rear and left side perspective view thereof;
 FIG. 3 is a top plan view thereof;
 FIG. 4 is a bottom plan view thereof;
 FIG. 5 is a front elevation view thereof;
 FIG. 6 is a rear elevation view thereof;
 FIG. 7 is a left side elevation view thereof; and,
 FIG. 8 is a right side elevation view thereof.

1 Claim, 4 Drawing Sheets

(56) **References Cited**

U.S. PATENT DOCUMENTS

2,689,424 A * 9/1954 Clagett A47G 19/2227 215/379

D178,333 S * 7/1956 Smirin D7/511

2,893,591 A * 7/1959 Barradas A47G 19/2227 220/629

D193,154 S * 7/1962 Gartzman D7/517

D206,097 S * 10/1966 Neiswanger D21/659

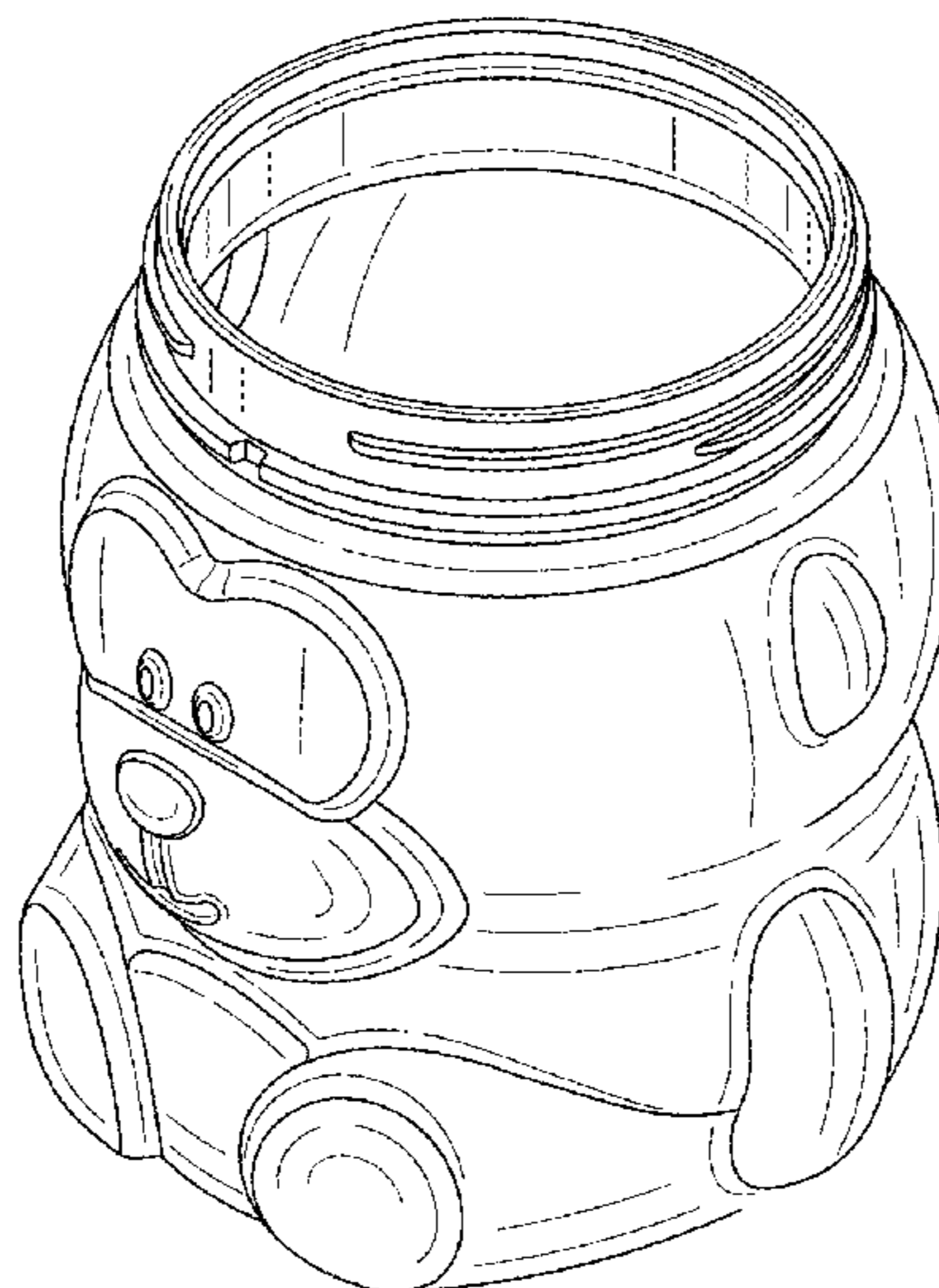
D237,909 S * 12/1975 Apilado D21/604

D342,020 S * 12/1993 Orosz D9/607

D358,299 S * 5/1995 Brown D7/510

D358,300 S * 5/1995 Brown D7/510

D358,301 S * 5/1995 Brown D7/510



(56)

References Cited

U.S. PATENT DOCUMENTS

D782,883 S * 4/2017 Delgado Carmona D7/628
D799,331 S * 10/2017 Delgado Carmona D9/611

* cited by examiner

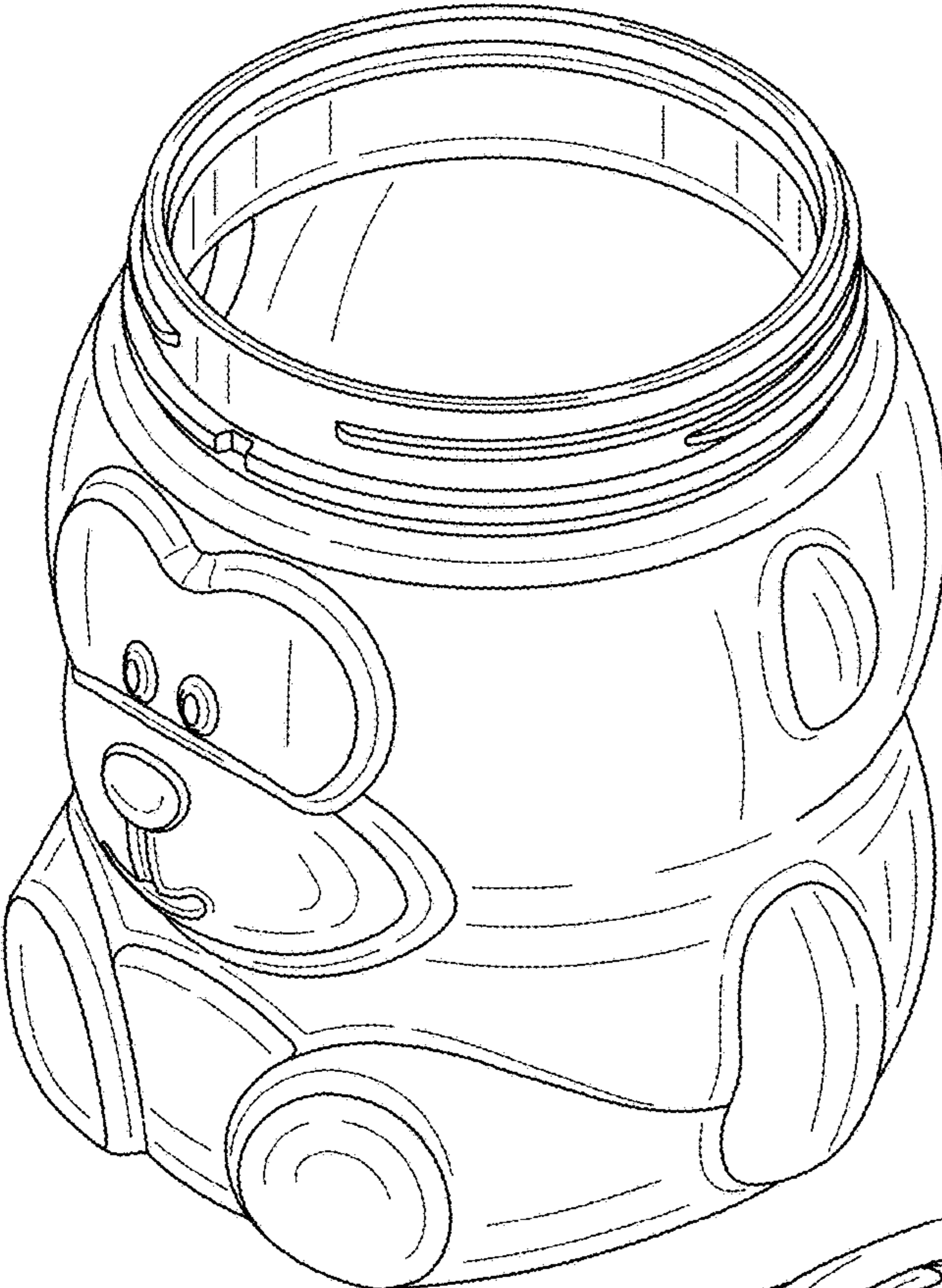


FIG. 1

FIG. 2

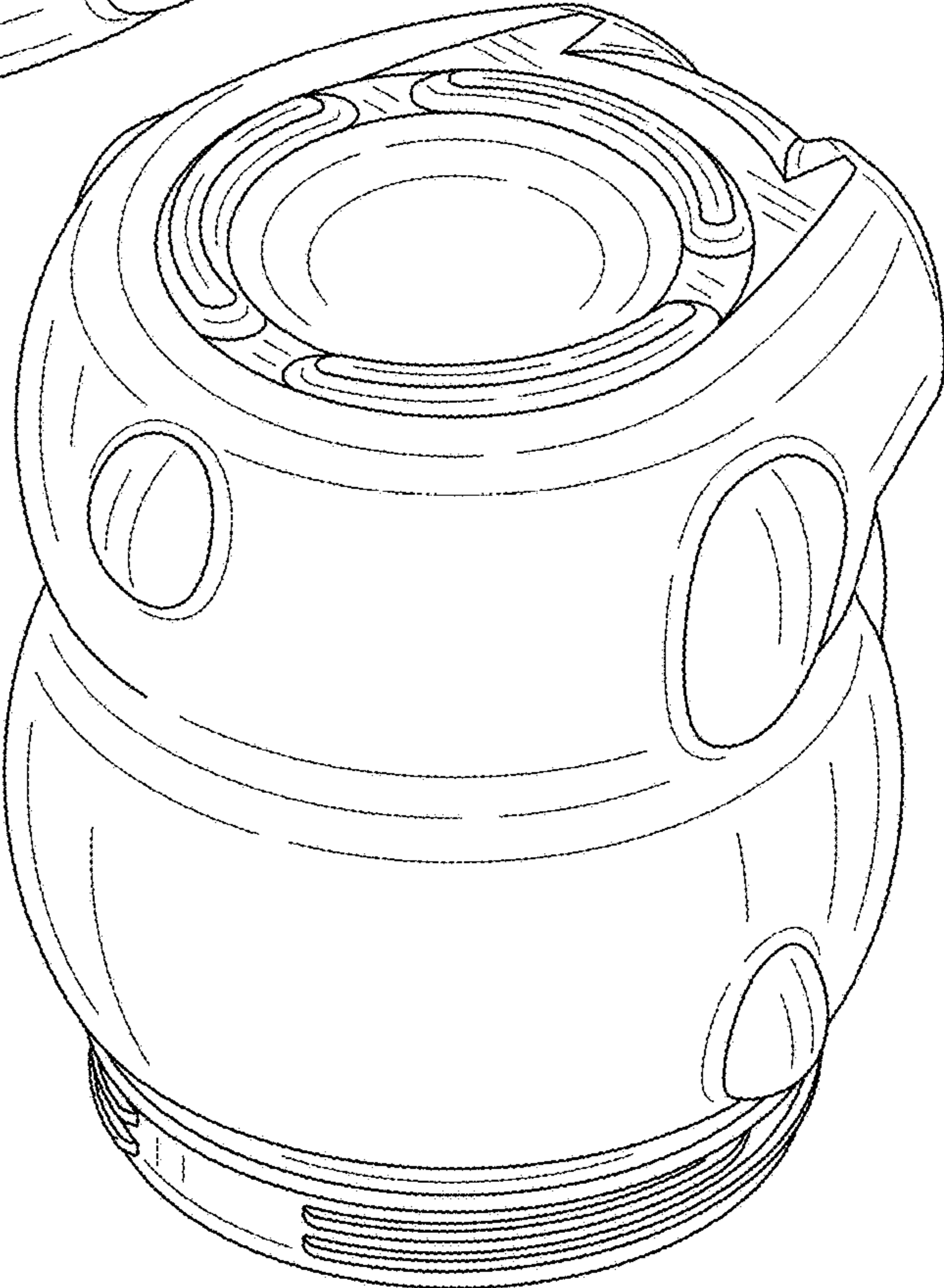


FIG. 3

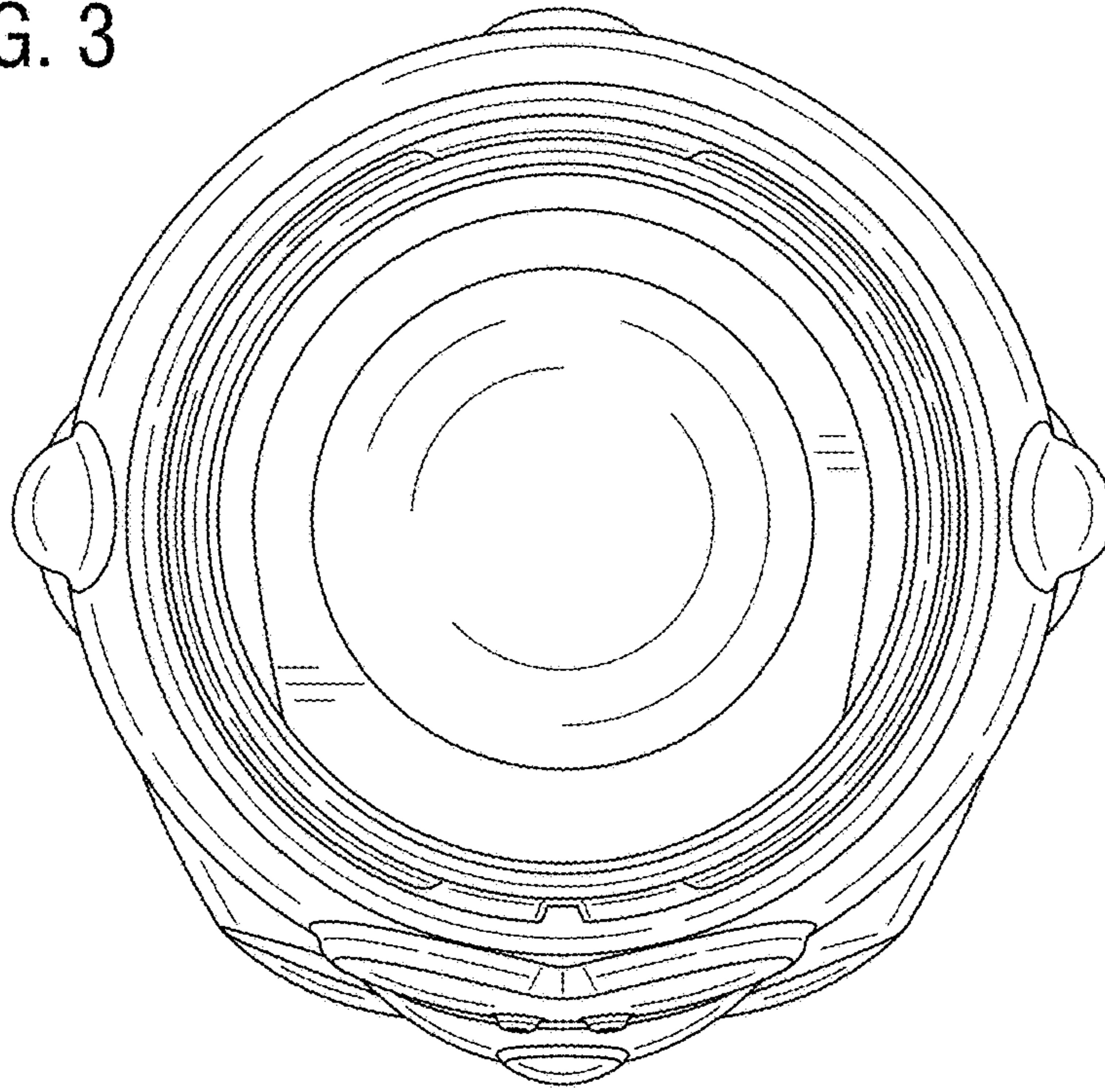
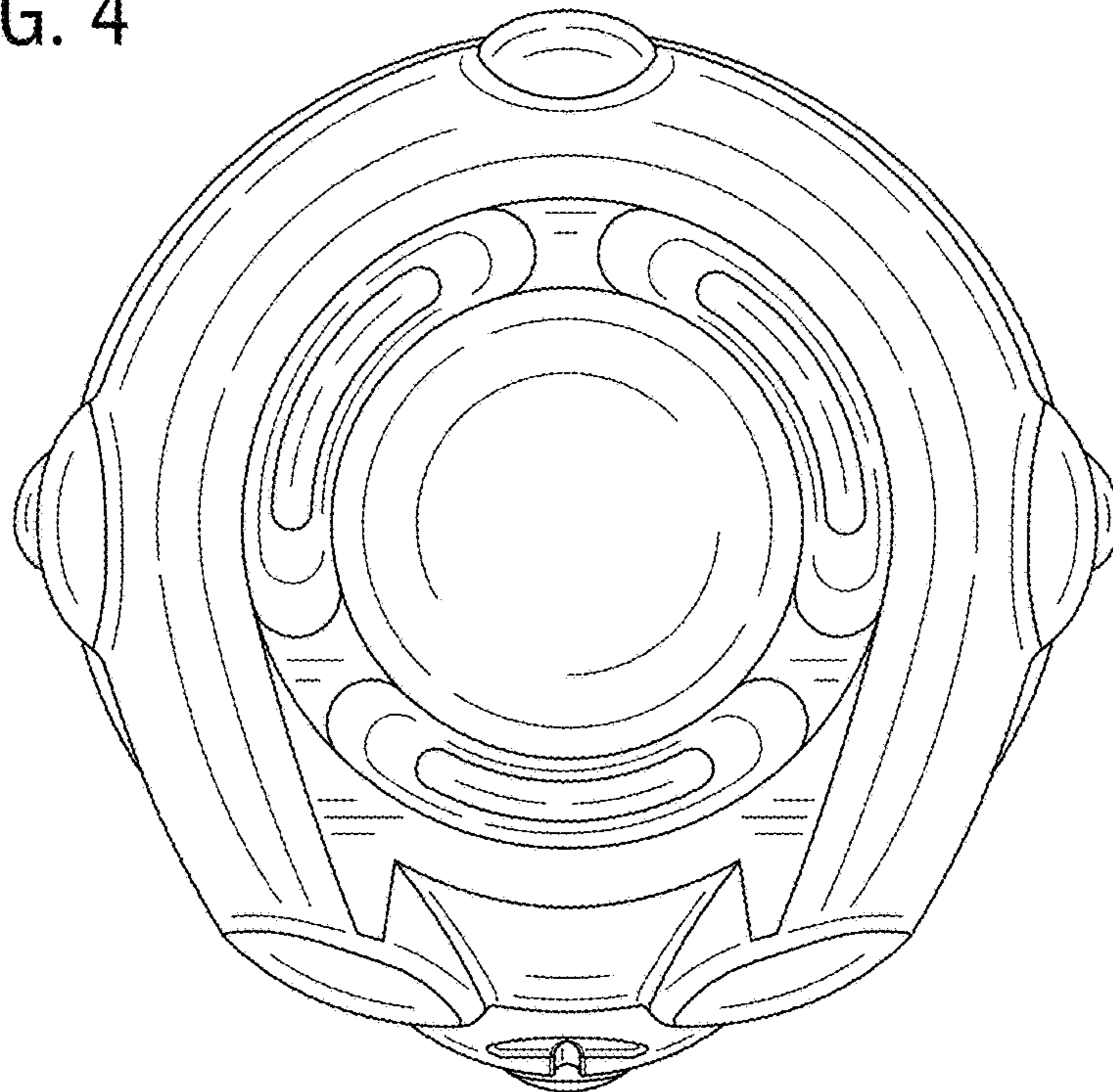


FIG. 4



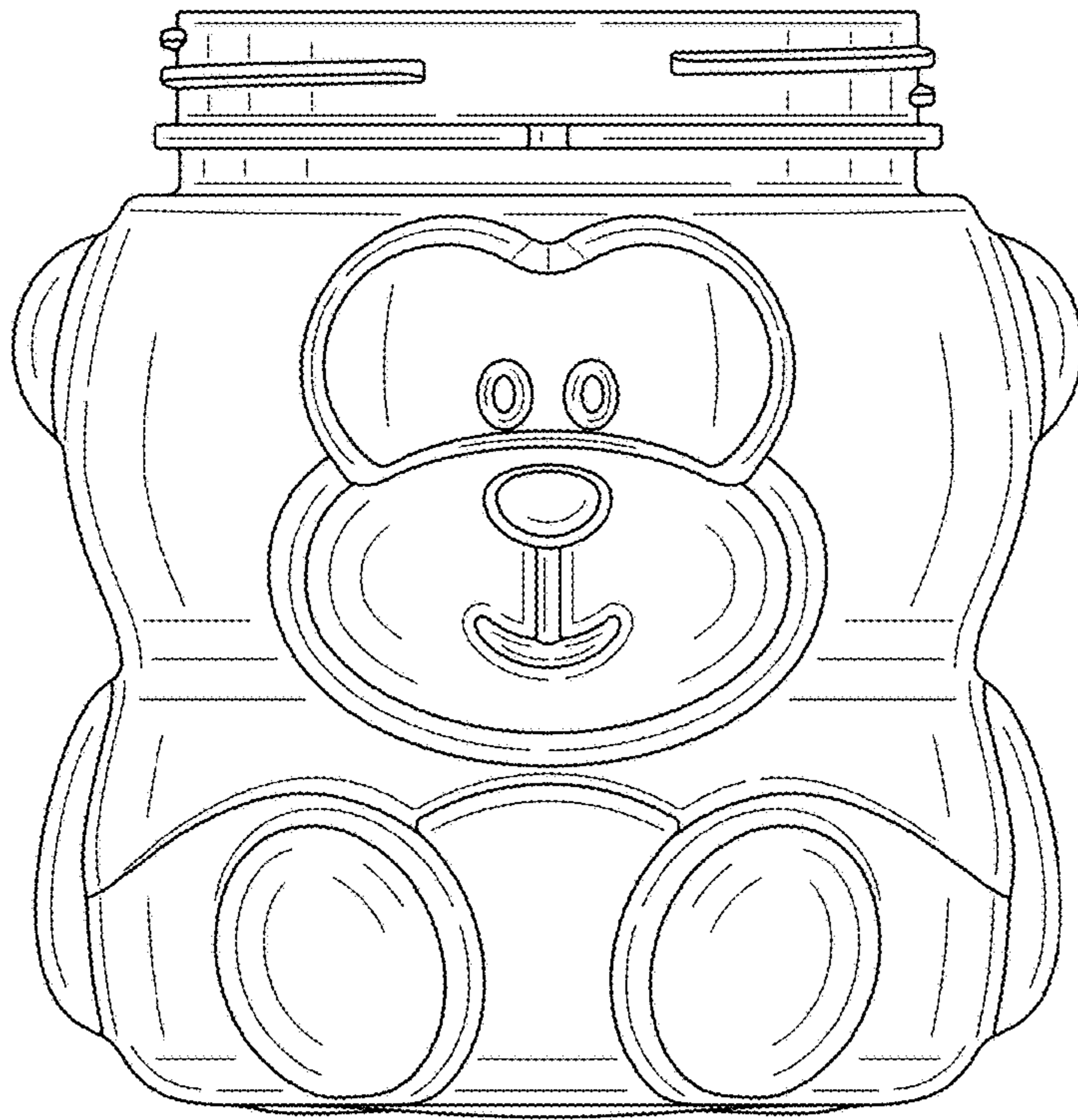


FIG. 5

FIG. 6

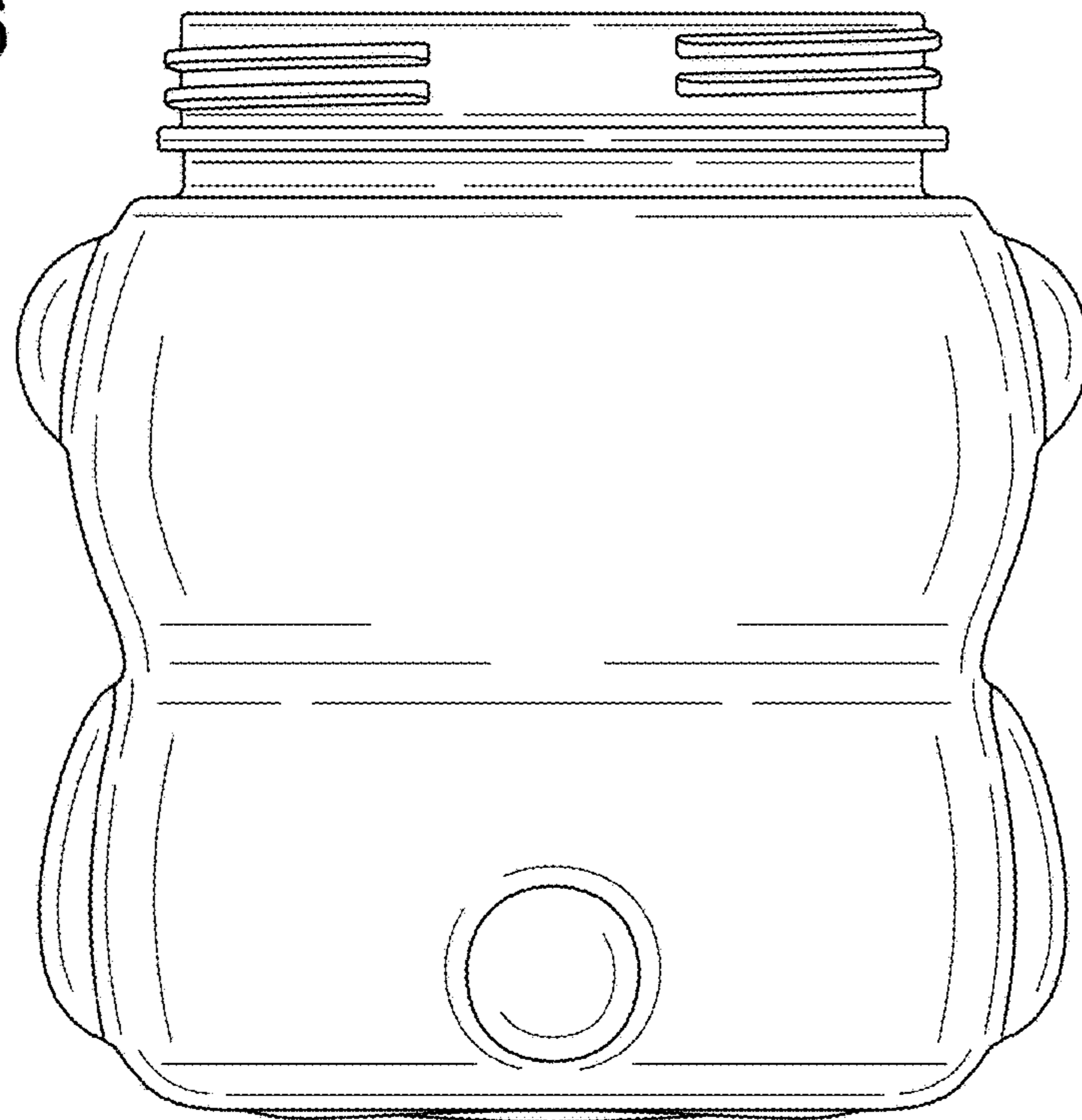


FIG. 7

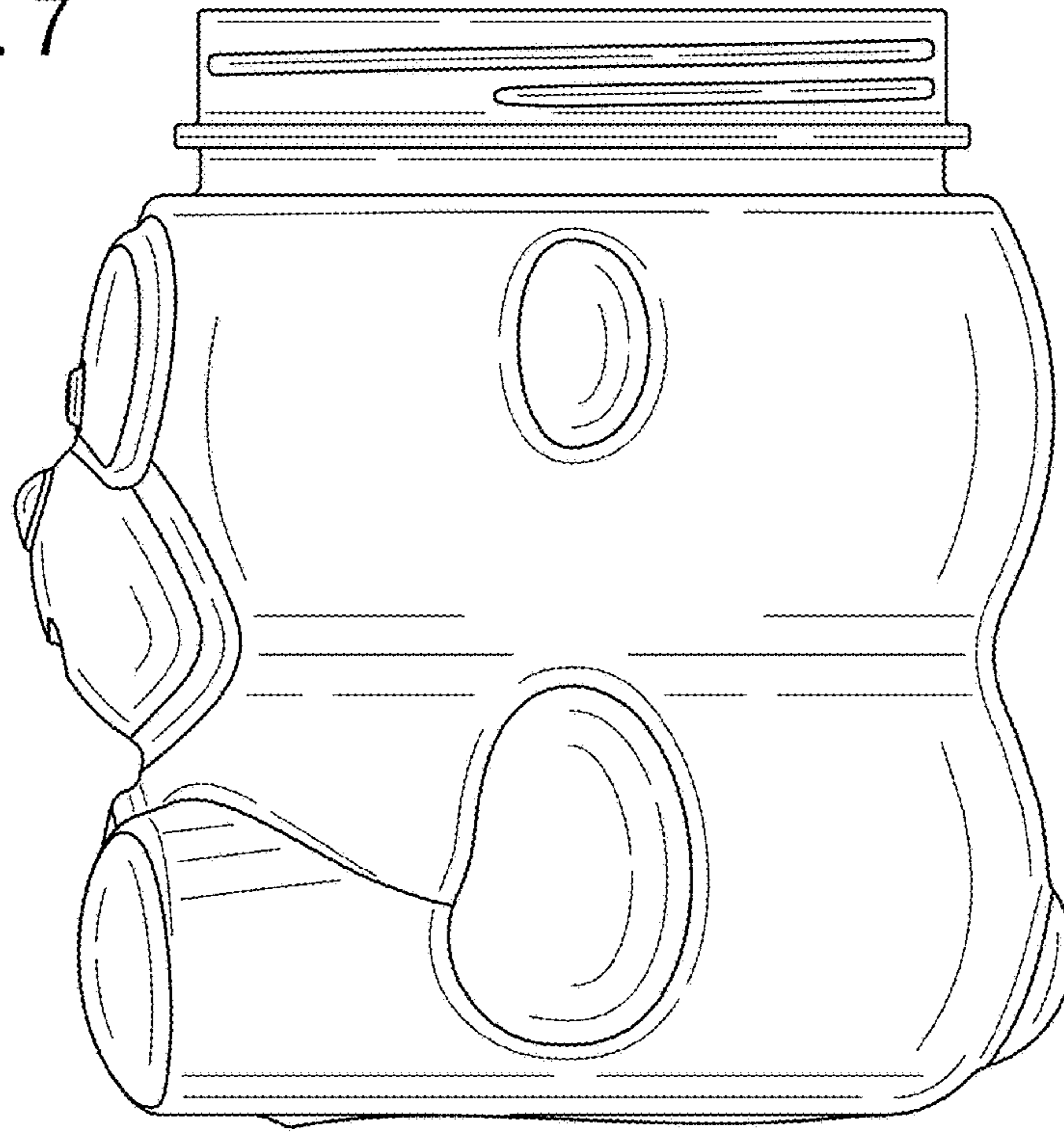


FIG. 8

