



US00D809864S

(12) **United States Design Patent**
Rigas

(10) **Patent No.:** **US D809,864 S**

(45) **Date of Patent:** **** Feb. 13, 2018**

- (54) **KITCHEN CUTLERY HANDLE**
- (71) Applicant: **Peter Rigas**, Yardley, PA (US)
- (72) Inventor: **Peter Rigas**, Yardley, PA (US)
- (**) Term: **15 Years**
- (21) Appl. No.: **29/584,891**
- (22) Filed: **Nov. 18, 2016**

Related U.S. Application Data

- (62) Division of application No. 29/532,262, filed on Jul. 3, 2015, now Pat. No. Des. 776,977.
- (51) **LOC (11) Cl.** **07-03**
- (52) **U.S. Cl.**
USPC **D7/401.2; D7/649**
- (58) **Field of Classification Search**
USPC D7/393-395, 401.2, 642-652, 693,
D7/695-696; D8/93, 97-100, 107, 300,
D8/321; D22/117-118
CPC A01B 1/20; A01B 1/22; A22C 25/006;
A47G 21/06; A47G 21/065; A61B
17/3211; A61B 17/3213; B21D 53/64;
B25G 3/36; B26B 1/00; B26B 1/08;
B26B 1/10; B26B 3/00; B26B 3/02;
B26B 3/03; B26B 3/04; B26B 3/06;
B26B 5/00; B26B 5/001; B26B 5/007;
B26B 7/00; B26B 7/005; B26B 9/00;
B26B 9/02; B26B 11/00; B26B 11/006;
B26B 17/00; B26B 17/006; B26B 29/02
See application file for complete search history.

(56) **References Cited**

U.S. PATENT DOCUMENTS

209,649 A	11/1878	Brown et al.
298,829 A	5/1884	Cox
356,453 A	1/1887	Cox
432,991 A	7/1890	Eggleston et al.

472,006 A	3/1892	Walker et al.
527,175 A	10/1894	Hurd
D24,386 S	6/1895	Christy
673,506 A	5/1901	Pitts
734,909 A	7/1903	Maclean
D51,772 S	2/1918	Berkshire
D57,935 S	5/1921	Shivley
1,444,659 A	2/1923	Carlson
1,754,543 A	4/1930	Callum
1,793,171 A	2/1931	Grant
1,819,623 A	8/1931	Rocklin
1,820,234 A	8/1931	Lees
1,967,479 A	7/1934	Platts
2,091,458 A	8/1936	Sleight
2,073,618 A	3/1937	Askue
2,124,615 A	7/1938	Foltz
2,164,117 A	6/1939	Mack
2,168,237 A	8/1939	Polacsek
D137,916 S	5/1944	Mrazek
2,359,098 A	9/1944	Engle

(Continued)

Primary Examiner — Ricky Pham

(74) *Attorney, Agent, or Firm* — Joseph E. Maenner;
Maenner & Associates, LLC

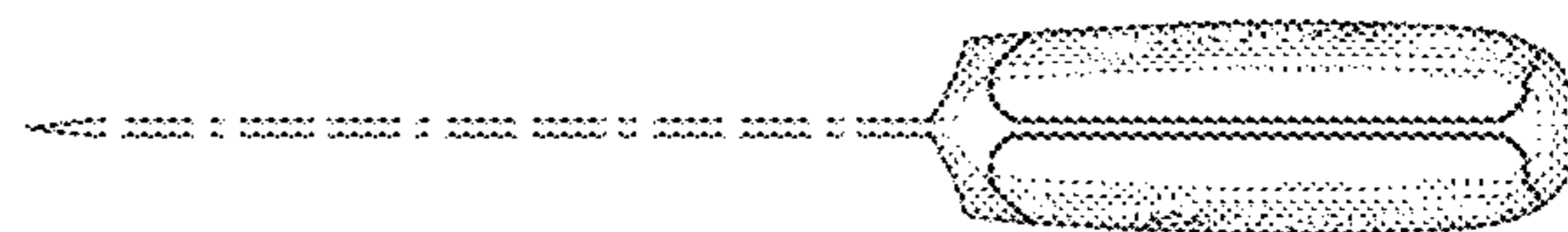
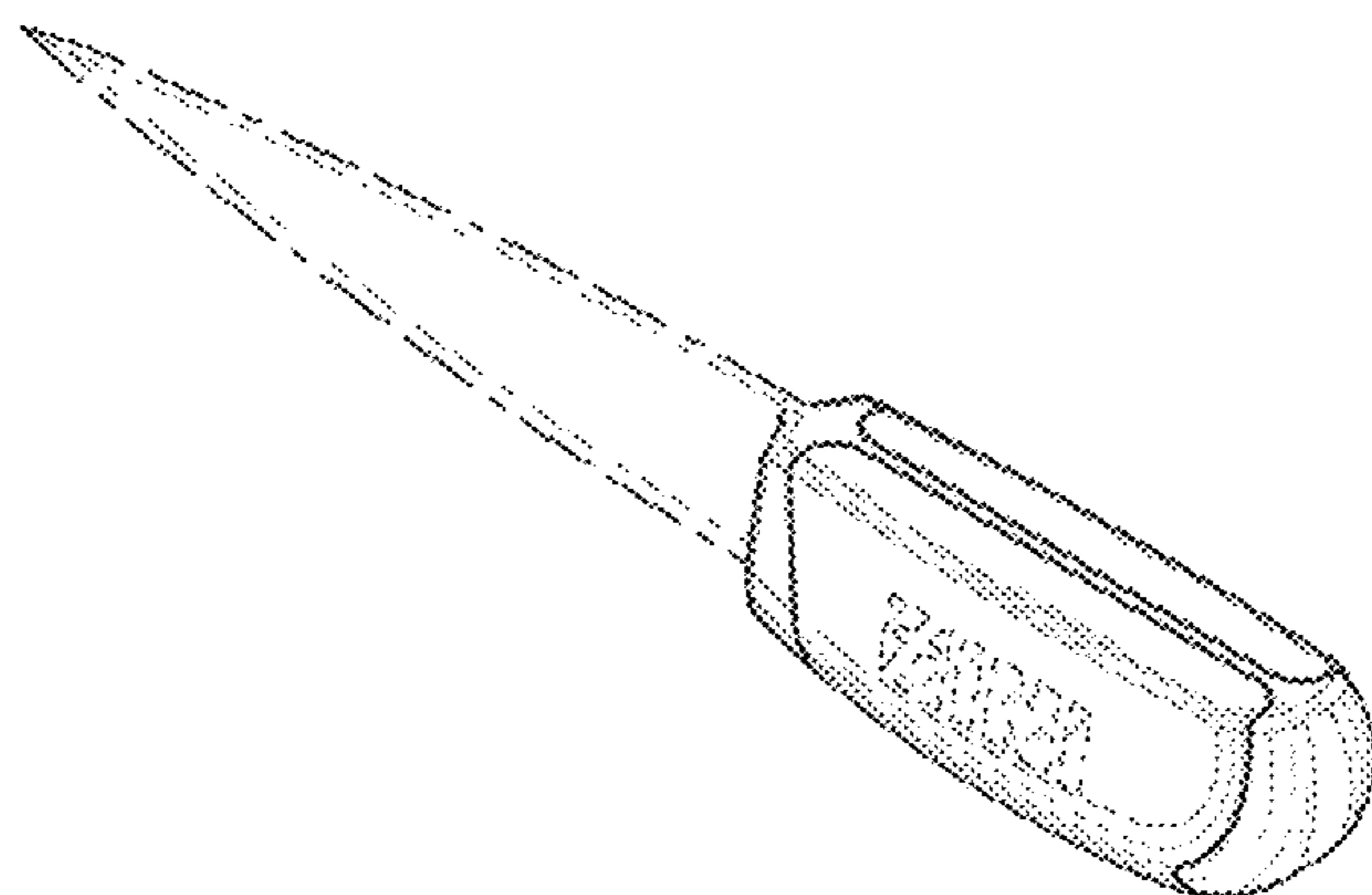
(57) **CLAIM**

The ornamental design for a kitchen cutlery handle, as shown and described.

DESCRIPTION

FIG. 1 is a perspective view of a kitchen cutlery handle showing my new design.
 FIG. 2 is a right side elevational view thereof.
 FIG. 3 is a left side elevational view thereof.
 FIG. 4 is an enlarged front elevational view thereof.
 FIG. 5 is an enlarged rear elevational view thereof.
 FIG. 6 is a top plan view thereof; and,
 FIG. 7 is a bottom plan view thereof.
 The broken lines for the cutlery blade and logo on the handle in FIGS. 1-7 represent environmental subject matter and form no part of the claimed design.

1 Claim, 4 Drawing Sheets



(56)

References Cited

U.S. PATENT DOCUMENTS

D139,768 S 12/1944 Ellinwood
 D143,250 S 12/1945 Storm
 D149,814 S 6/1948 Hvale et al.
 D154,134 S 6/1949 McMillen
 2,520,355 A 8/1950 Bell
 D169,413 S 4/1953 Bordelson
 D182,291 S 3/1958 Lamb
 D225,387 S 12/1972 Krock
 D226,410 S 2/1973 Kunze
 D229,472 S 12/1973 Collins
 D233,122 S 10/1974 Fanzza
 3,865,370 A 2/1975 Rogers
 D234,740 S 4/1975 Friedman
 D235,841 S 7/1975 Cremonese
 3,905,598 A 9/1975 Ballog
 3,947,977 A 4/1976 Bishop
 4,030,841 A 6/1977 Balasty
 4,076,427 A 2/1978 Anderson
 4,087,911 A 5/1978 Schrock et al.
 4,178,684 A 12/1979 Mightiy
 4,202,095 A 5/1980 Gingras
 D257,056 S 9/1980 Spivey
 4,283,854 A 8/1981 Austin
 4,470,327 A 9/1984 Gerber, Jr. et al.
 D278,953 S 5/1985 Smith
 4,578,864 A 4/1986 Hoffman
 4,712,304 A 12/1987 Senelli
 D295,011 S 4/1988 Herron et al.
 4,750,760 A 6/1988 Gurley
 D300,601 S 4/1989 Himbert et al.
 4,825,552 A 5/1989 Bendickson et al.
 D303,748 S 10/1989 Yamashigi
 4,885,818 A 12/1989 Arterbury
 D306,812 S 3/1990 Kawasaki
 5,081,380 A 1/1992 Fierthaler
 5,251,380 A 10/1993 Craig
 D368,001 S 3/1996 Cohen et al.
 D373,289 S * 9/1996 Gebhardt D7/401.2
 D379,914 S 6/1997 Bloch
 5,689,890 A 11/1997 Glesser
 5,791,055 A 8/1998 Mangol
 D400,059 S 10/1998 Cohen et al.
 D407,267 S * 3/1999 Juhlin D7/401.2

D407,603 S * 4/1999 Cohen D7/401.2
 D448,253 S 9/2001 Staib, Jr. et al.
 6,305,051 B1 10/2001 Cho
 D455,937 S 4/2002 Huebner
 6,381,855 B1 5/2002 Lin
 D458,511 S * 6/2002 Rorke D7/395
 D462,582 S 9/2002 Parlowski
 6,460,255 B1 10/2002 Dassaud
 D473,430 S 4/2003 Fedor et al.
 D476,535 S 7/2003 Garon
 6,598,302 B1 7/2003 Peppel et al.
 6,625,890 B2 9/2003 Hufnagel et al.
 6,701,624 B1 3/2004 White
 6,745,477 B2 6/2004 Gray
 D538,590 S 3/2007 Stahl
 D539,082 S 3/2007 Molayem
 D539,803 S 3/2007 Moyalem
 7,228,632 B2 6/2007 Fedor et al.
 D546,134 S 7/2007 Leuze
 D551,498 S 9/2007 Schmidt
 D553,916 S * 10/2007 Ono D7/649
 D557,081 S 12/2007 Hadj-Chikh et al.
 7,322,113 B2 1/2008 Tetreault et al.
 D579,267 S 10/2008 Simha
 7,434,320 B2 10/2008 Aston, III
 7,712,402 B2 5/2010 Ishii
 7,726,030 B2 6/2010 Hayes
 D634,022 S 3/2011 Scappaticci
 7,930,804 B2 4/2011 Cornfield
 D649,411 S 11/2011 Lo
 D660,098 S 5/2012 Chen
 8,419,510 B2 4/2013 Neal
 D709,739 S * 7/2014 Zucchi D7/401.2
 D710,158 S 8/2014 Berger
 D747,161 S 1/2016 Makela
 D749,915 S 2/2016 Haas
 D773,886 S * 12/2016 McConnell D7/401.2
 D776,977 S * 1/2017 Rigas D7/349
 2002/0144410 A1 10/2002 Hufnagel et al.
 2002/0170184 A1 11/2002 Lothe
 2004/0123471 A1 7/2004 Onion
 2009/0007434 A1 1/2009 Kwok
 2009/0133268 A1 5/2009 Chambless, III et al.
 2012/0079725 A1 4/2012 Hatch et al.

* cited by examiner

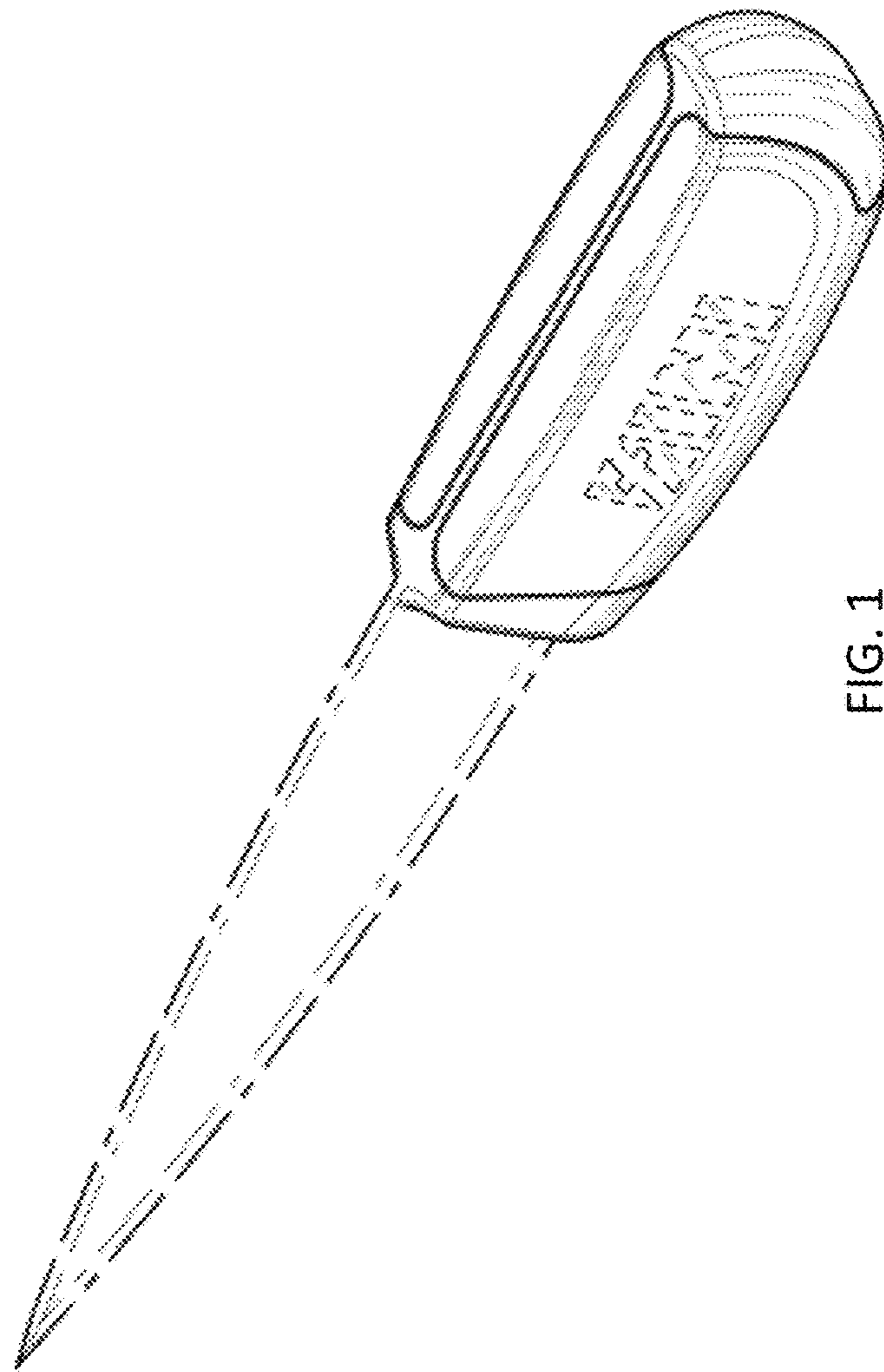


FIG. 1

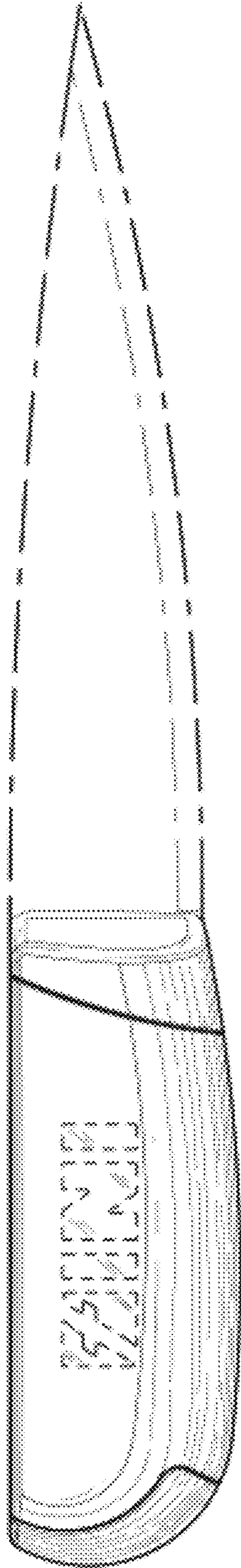


FIG. 2



FIG. 3

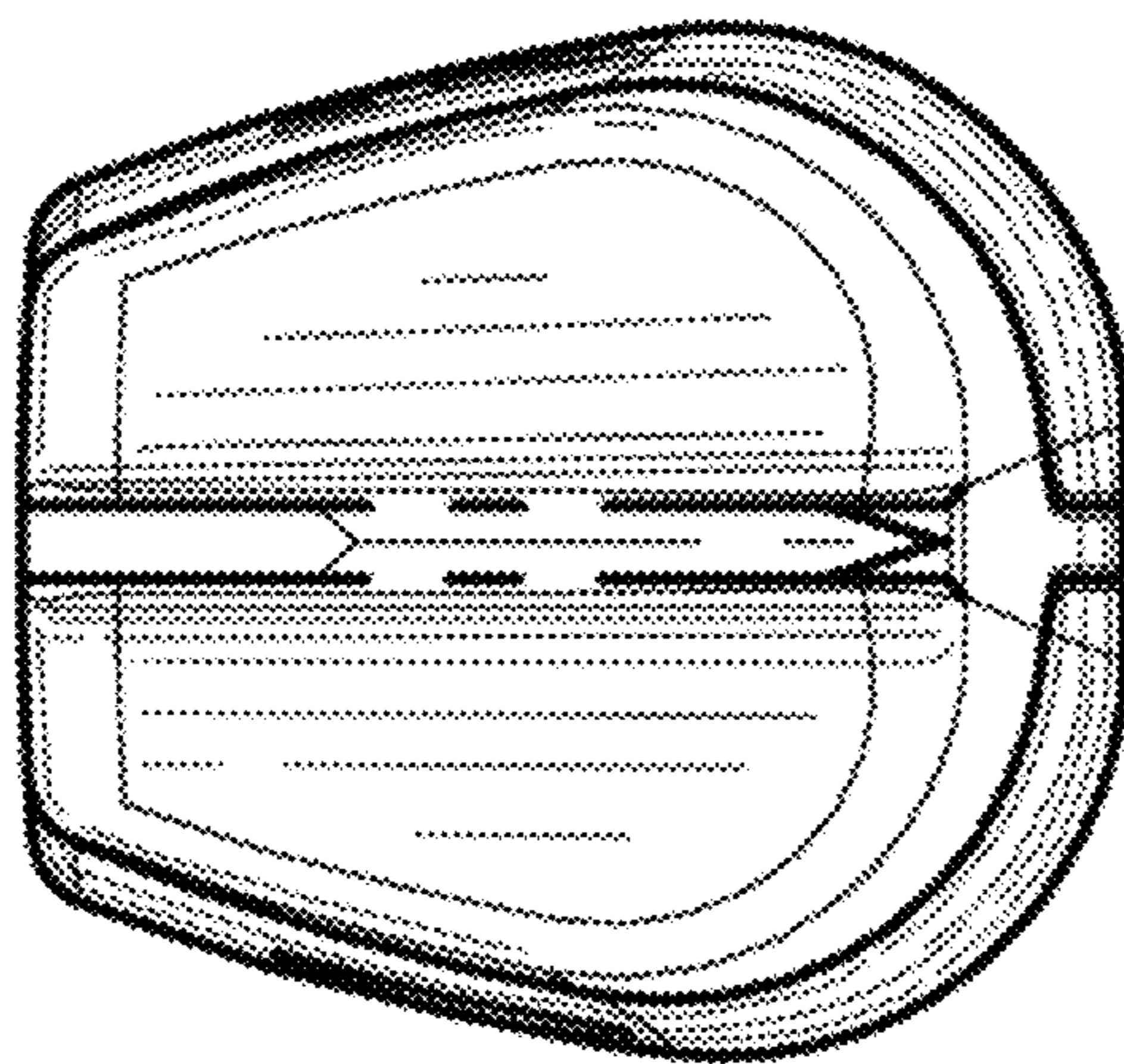


FIG. 4

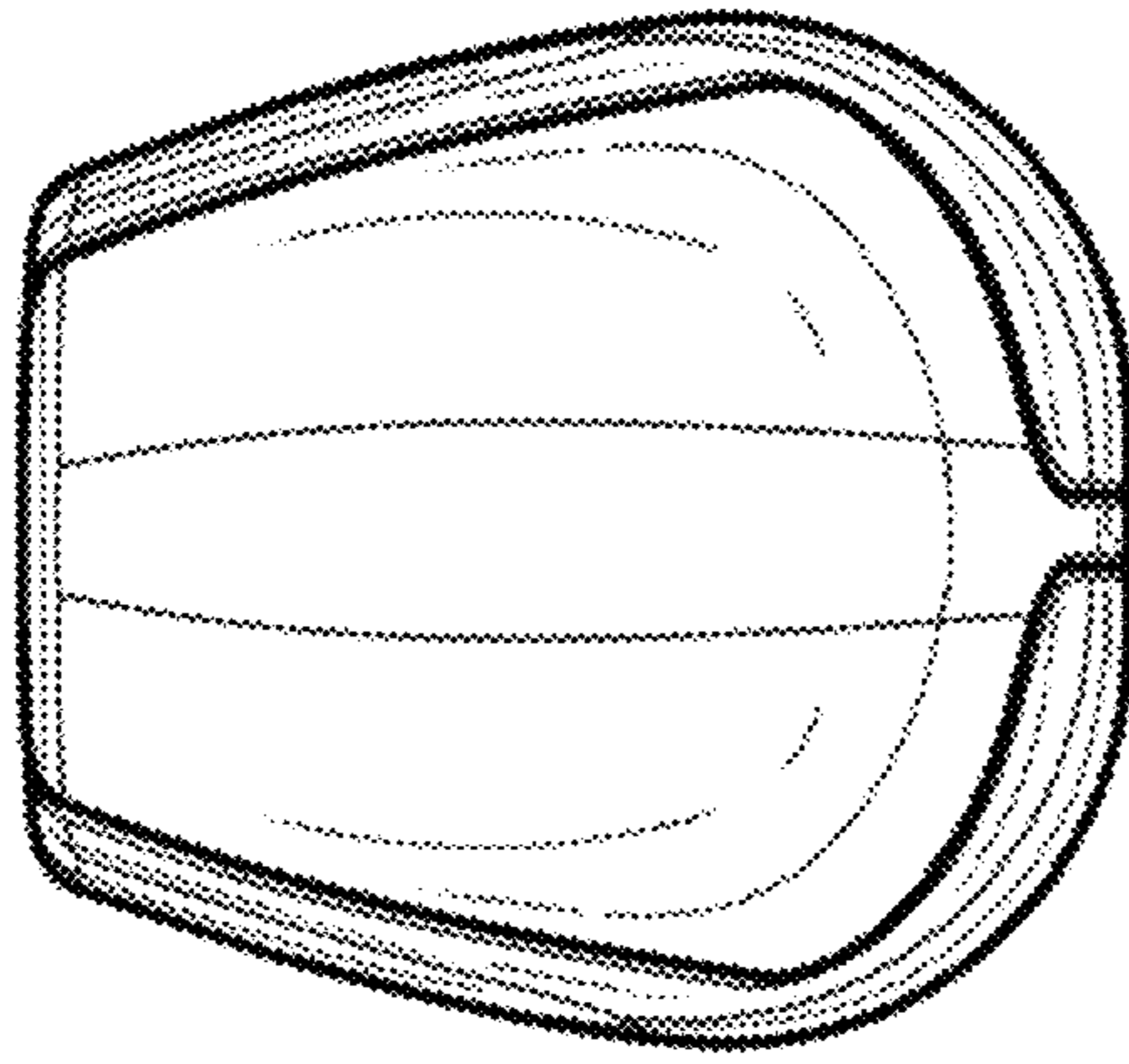


FIG. 5

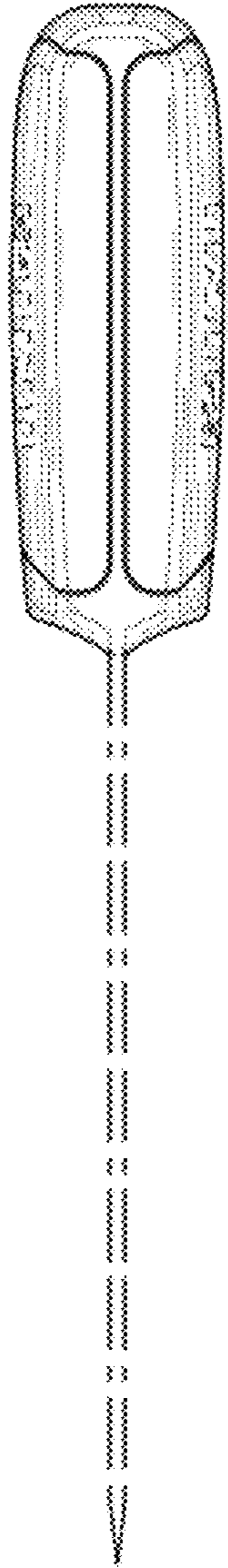


FIG. 6

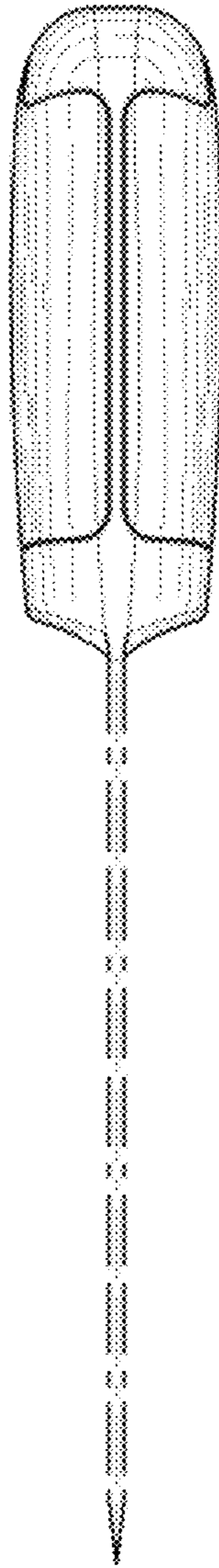


FIG. 7