



US00D809863S

(12) **United States Design Patent**
Yamada

(10) **Patent No.:** **US D809,863 S**

(45) **Date of Patent:** **** Feb. 13, 2018**

(54) **HANDLE FOR KITCHEN KNIVES**

(71) Applicant: **YOSHIDA METAL INDUSTRY CO., LTD.**, Niigata (JP)

(72) Inventor: **Komin Yamada**, Tokyo (JP)

(73) Assignee: **YOSHIDA METAL INDUSTRY CO., LTD.**, Niigata (JP)

(**) Term: **15 Years**

(21) Appl. No.: **29/573,445**

(22) Filed: **Aug. 5, 2016**

(51) **LOC (11) Cl.** **07-03**

(52) **U.S. Cl.**
USPC **D7/401.2**; D7/649

(58) **Field of Classification Search**
USPC D7/393-395, 401.2, 642-652, 673, D7/682-683, 693, 695-696; D8/14, 93, D8/97-100, 107, 300, 321; D22/117-118; D32/52
CPC A01B 1/20; A01B 1/22; A22C 25/006; A47G 21/06; A47G 21/065; A61B 17/3211; A61B 17/3213; B21D 53/64; B25G 1/102; B25G 3/36; B26B 1/00; B26B 1/08; B26B 1/10; B26B 3/00; B26B 3/02; B26B 3/03; B26B 3/04; B26B 3/06; B26B 5/00; B26B 5/001; B26B 5/007; B26B 7/00; B26B 7/005; B26B 9/00; B26B 9/02; B26B 11/00; B26B 11/006; B26B 17/00; B26B 17/006; B26B 29/02; F41B 15/06; F41B 15/08
See application file for complete search history.

(56) **References Cited**

U.S. PATENT DOCUMENTS

D446,689 S * 8/2001 Van Leeuwen D7/401.2
D480,189 S * 9/2003 Libman D32/52

D548,543 S * 8/2007 Izaki D7/649
D563,160 S * 3/2008 Schmidt D7/395
D567,033 S * 4/2008 Seidenfaden D7/649
D568,695 S * 5/2008 Seidenfaden D7/649
D587,535 S * 3/2009 Sverdrup-Jensen D7/649
D612,706 S * 3/2010 Libman D32/52
D621,230 S * 8/2010 Sverdrup-Jensen D7/649
D631,292 S * 1/2011 Bodum D7/401.2
D663,998 S * 7/2012 Lee D7/395
D683,204 S * 5/2013 Yamada D8/107
D751,861 S * 3/2016 Yamada D7/401.2

* cited by examiner

Primary Examiner — Ricky Pham

(74) *Attorney, Agent, or Firm* — Muncy, Geissler, Olds & Lowe, P.C.

(57) **CLAIM**

The ornamental design for a handle for kitchen knives, as shown and described.

DESCRIPTION

FIG. 1 is a front perspective view of a handle for kitchen knives showing my new design.

FIG. 2 is front elevation view of the handle for kitchen knives of FIG. 1.

FIG. 3 is a left side elevation view of the handle for kitchen knives of FIG. 1.

FIG. 4 is a top plan view of the handle for kitchen knives of FIG. 1.

FIG. 5 is a rear perspective view of the handle for kitchen knives of FIG. 1.

FIG. 6 is a right side elevation view of the handle for kitchen knives of FIG. 1.

FIG. 7 is rear elevation view of the handle for kitchen knives of FIG. 1; and,

FIG. 8 is a bottom plan view of the handle for kitchen knives of FIG. 1.

The broken lines in the drawings show environmental structure that forms no part of the claimed design.

1 Claim, 2 Drawing Sheets

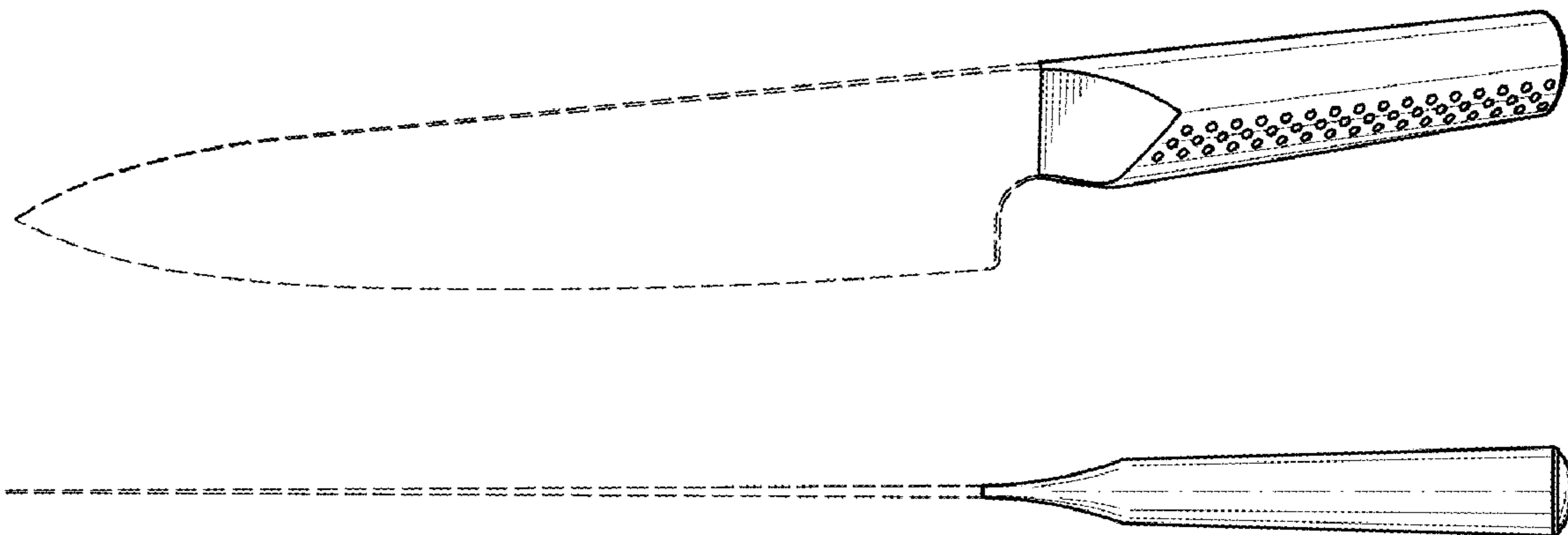


FIG. 1

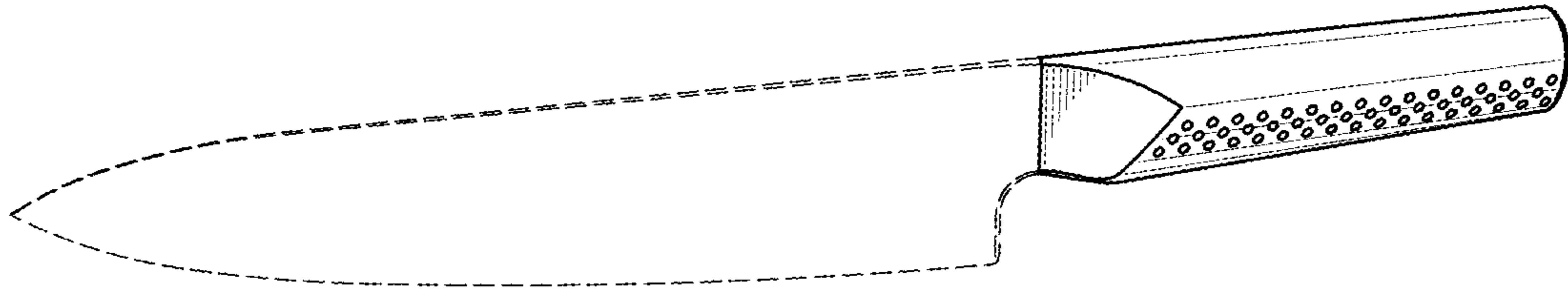


FIG. 2

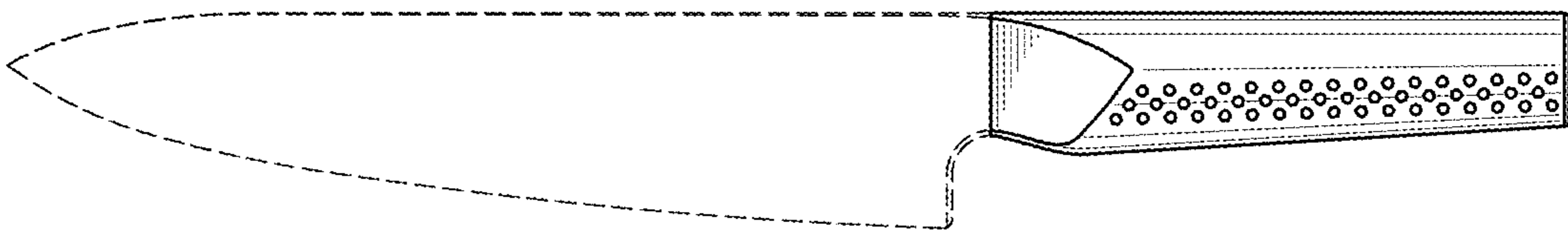


FIG. 3



FIG. 4

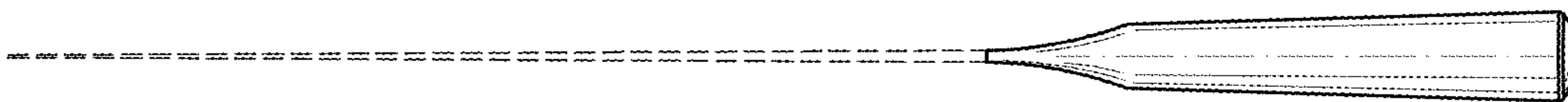


FIG. 5

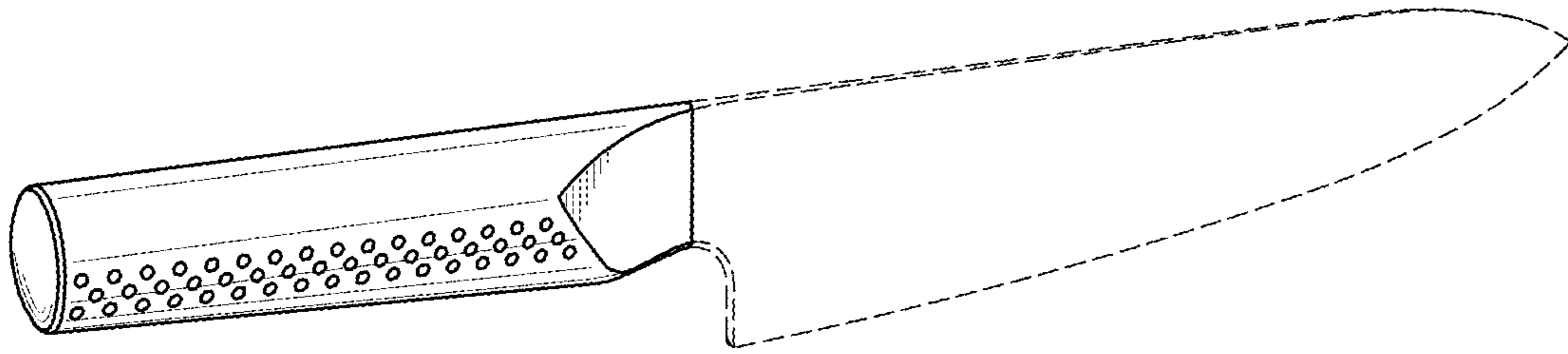


FIG. 6



FIG. 7



FIG. 8

