



US00D809860S

(12) **United States Design Patent** (10) **Patent No.:** **US D809,860 S**  
**Carlson et al.** (45) **Date of Patent:** **\*\* Feb. 13, 2018**

(54) **CUP RING WITH HANDLE**  
(71) Applicant: **Earthwell, Inc.**, Portland, OR (US)  
(72) Inventors: **Chris Carlson**, Chico, CA (US); **Scott Rolfson**, Portland, OR (US); **Christopher Leiter**, Happy Valley, OR (US)  
(73) Assignee: **Earthwell, Inc.**, Portland, OR (US)  
(\*\*) Term: **15 Years**  
(21) Appl. No.: **29/578,685**  
(22) Filed: **Sep. 23, 2016**  
(51) **LOC (11) Cl.** ..... **07-99**  
(52) **U.S. Cl.**  
USPC ..... **D7/396.2**  
(58) **Field of Classification Search**  
USPC ... D7/396.2, 509, 510, 533-536, 602, 619.1, D7/622, 706  
CPC ..... A47G 23/02; B65D 23/10; B65D 23/12; B65D 23/104  
See application file for complete search history.

(56) **References Cited**  
U.S. PATENT DOCUMENTS  
2,967,071 A \* 1/1961 Deschene ..... A47J 45/077 294/137  
D370,384 S \* 6/1996 Shamis ..... D7/393  
5,655,805 A \* 8/1997 Shaddy ..... A47G 23/0216 220/738  
D395,205 S \* 6/1998 Inwood ..... D7/622  
D412,938 S \* 8/1999 Kesselring ..... D20/28  
6,360,913 B1 \* 3/2002 Bruinsma ..... A47G 23/0216 220/737  
D455,613 S \* 4/2002 Bruinsma ..... D7/622

D626,409 S \* 11/2010 Hooley ..... D7/622  
D634,634 S \* 3/2011 Jones ..... D9/455  
D674,278 S \* 1/2013 Frederiksen ..... D9/455  
D707,834 S \* 6/2014 Hotchi ..... D24/199  
D709,737 S \* 7/2014 Weinert ..... D7/622  
D709,738 S \* 7/2014 Weinert ..... D7/622  
D744,292 S \* 12/2015 Terzian ..... D7/622  
D746,679 S \* 1/2016 Jasso Gomez ..... D9/443  
D780,575 S \* 3/2017 Volk ..... D9/443  
D780,576 S \* 3/2017 Volk ..... D9/443  
2006/0124579 A1 \* 6/2006 Nielson ..... B65D 23/104 215/396  
2007/0272651 A1 \* 11/2007 DiPasquale ..... B65D 23/104 215/396

\* cited by examiner

*Primary Examiner* — Daniel D Bui  
*Assistant Examiner* — Andrew Kerr

(74) *Attorney, Agent, or Firm* — Berkeley Law & Technology Group LLP

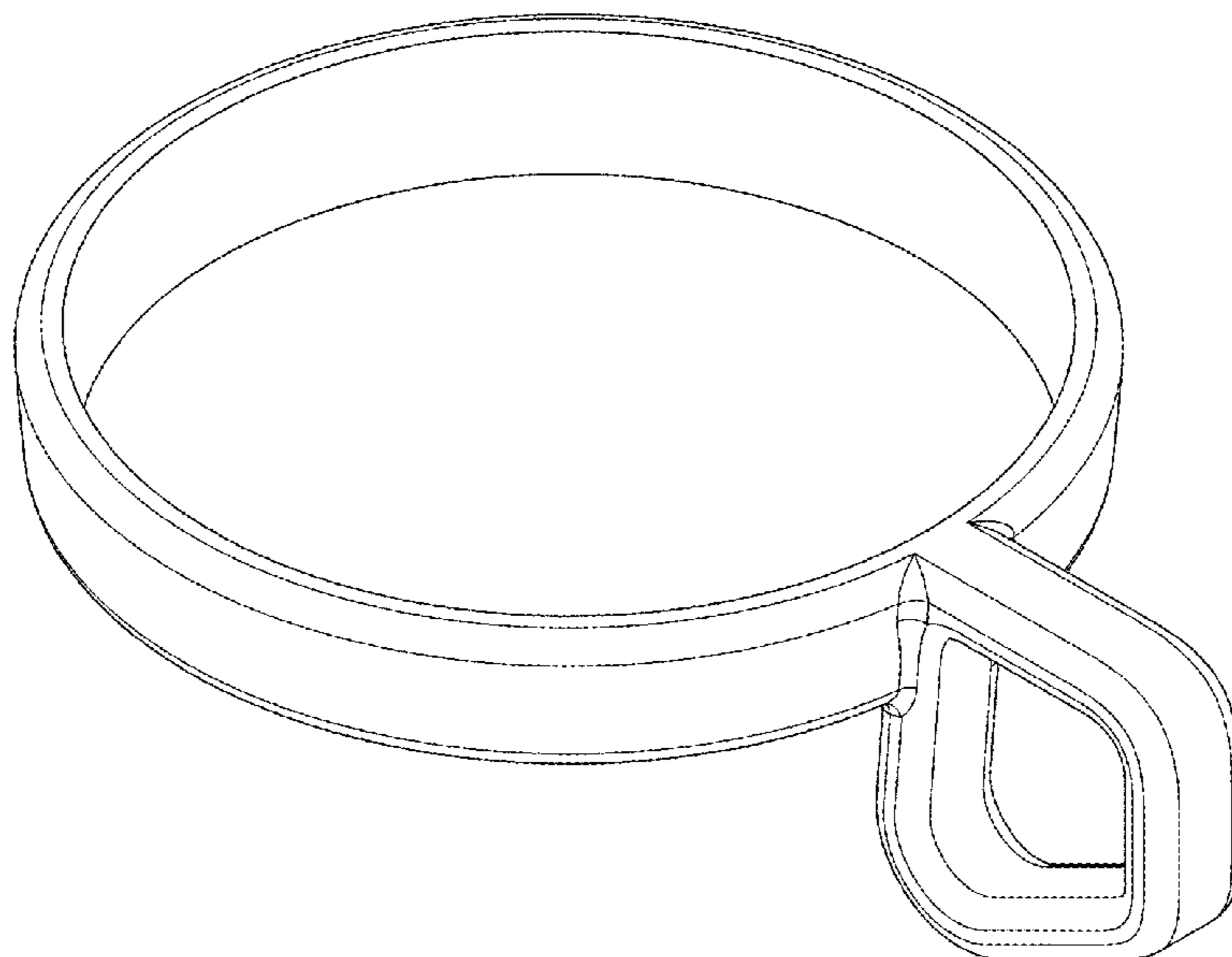
(57) **CLAIM**

The ornamental design for a cup ring with handle, as shown and described.

**DESCRIPTION**

FIG. 1 is a top and front perspective view of a cup ring with handle showing our new design;  
FIG. 2 is a front elevational view of FIG. 1;  
FIG. 3 is a back elevational view of FIG. 1;  
FIG. 4 is a right side elevational view of FIG. 1;  
FIG. 5 is a left side elevational view of FIG. 1;  
FIG. 6 is a top plan view of FIG. 1;  
FIG. 7 is a bottom plan view of FIG. 1; and,  
FIG. 8 is a perspective view thereof in use condition.  
The broken lines in FIG. 8 represent environmental subject matter and form no part of the claimed design.

**1 Claim, 6 Drawing Sheets**



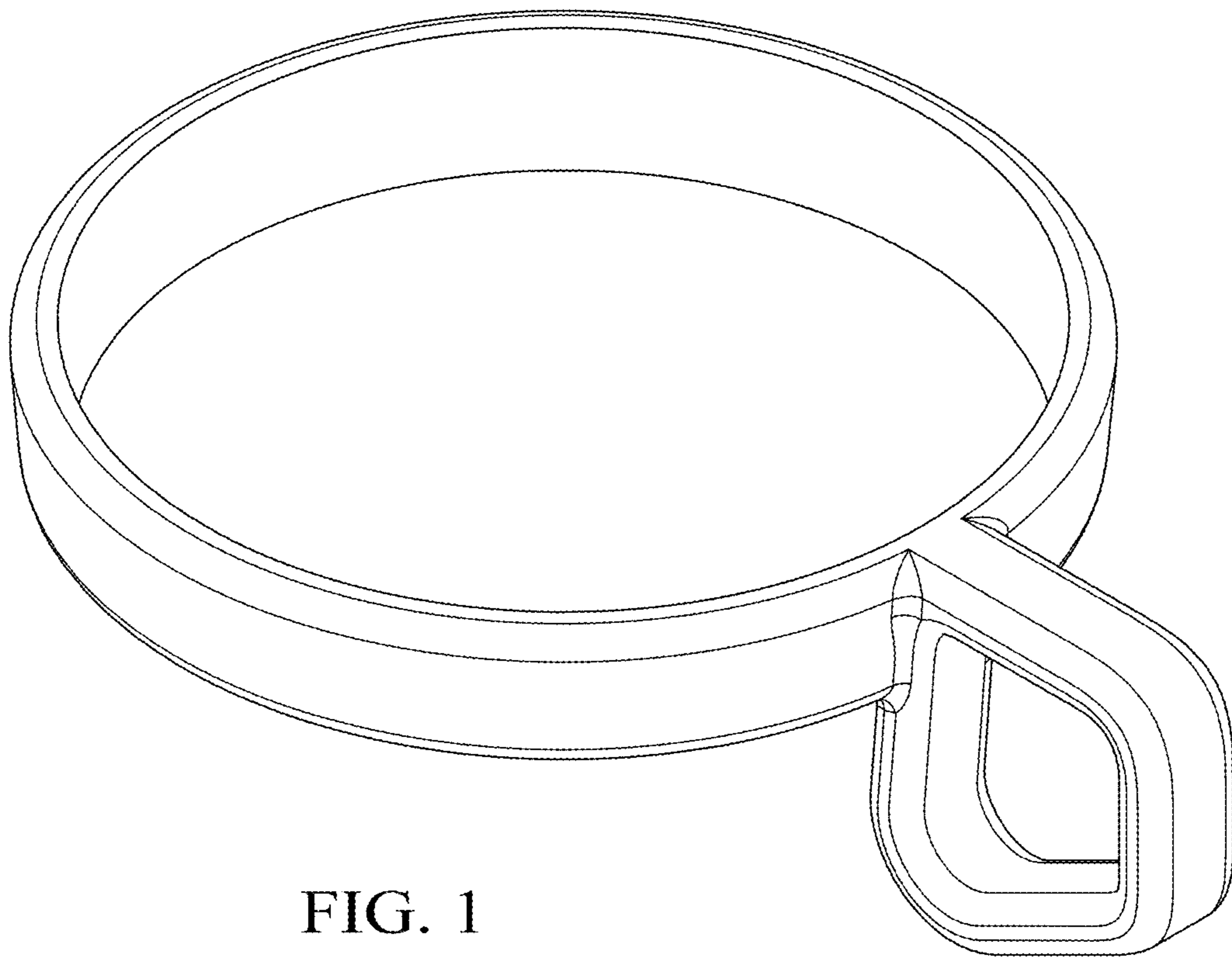


FIG. 1

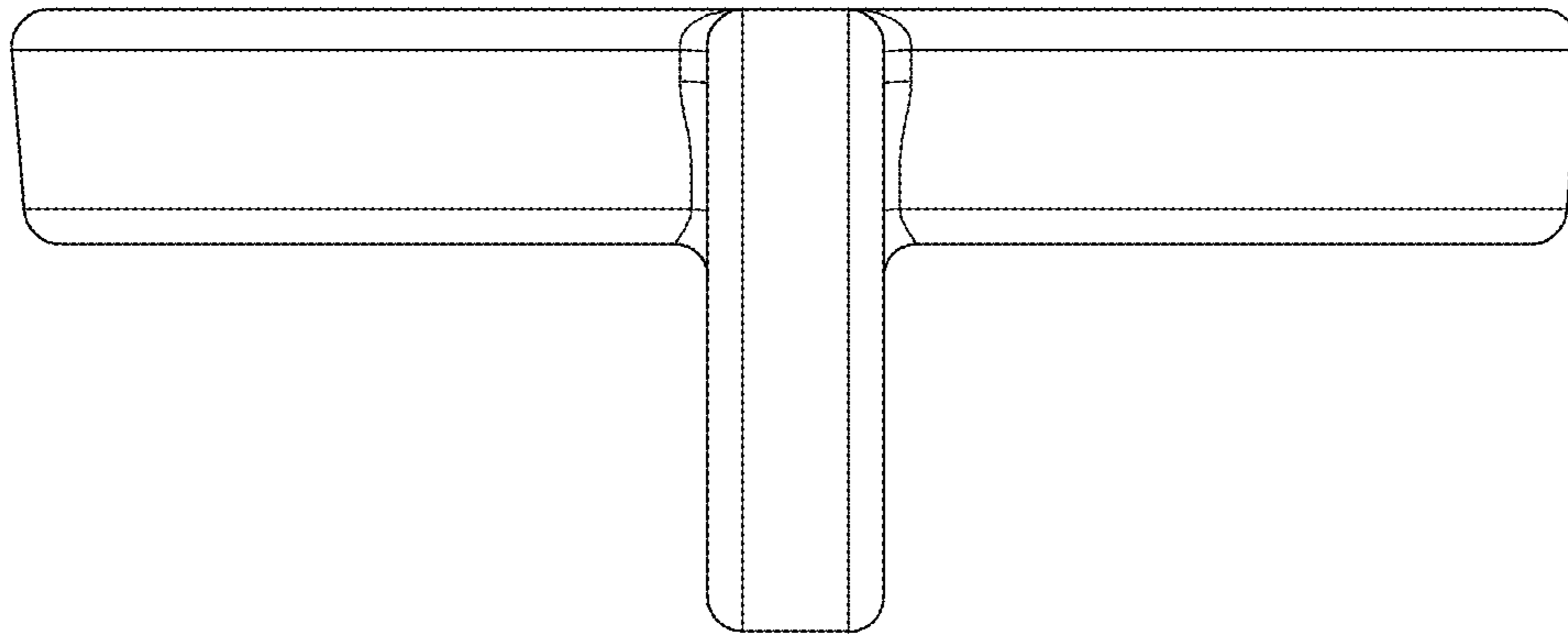


FIG. 2

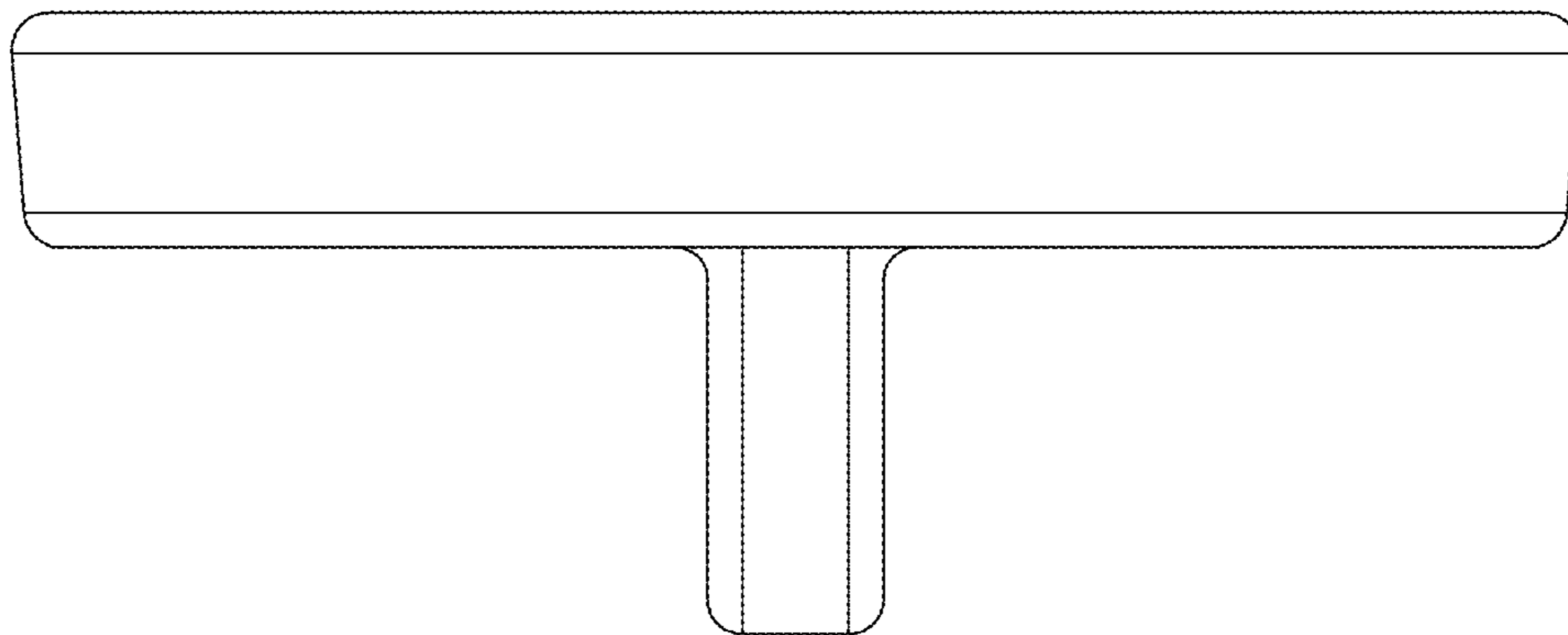


FIG. 3

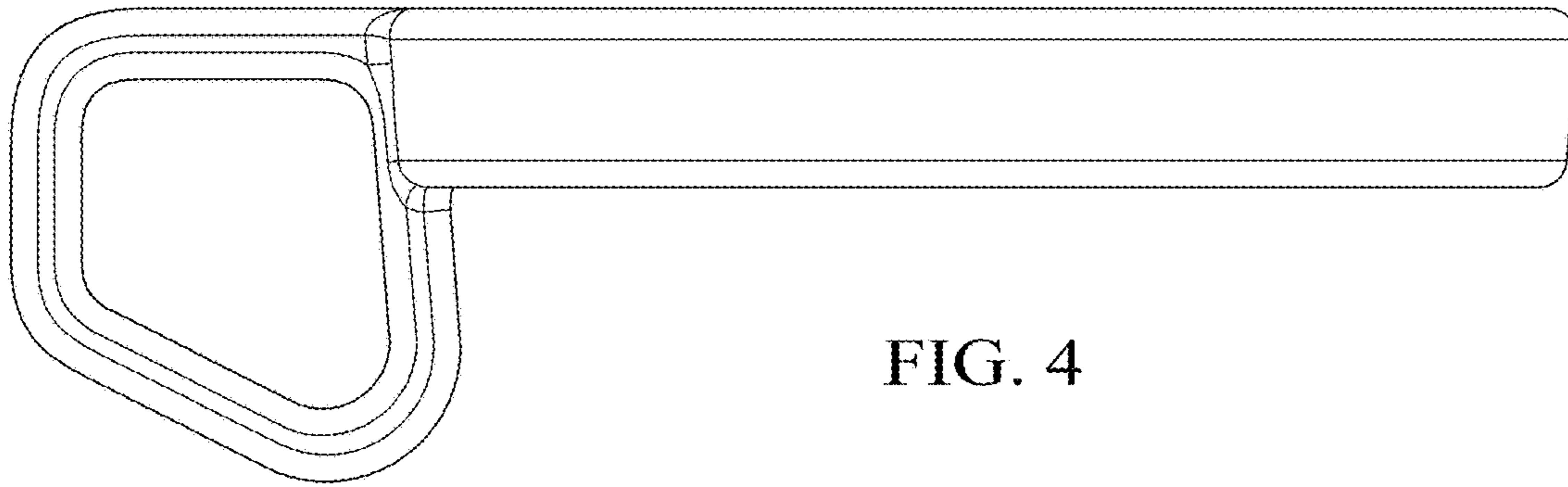


FIG. 4

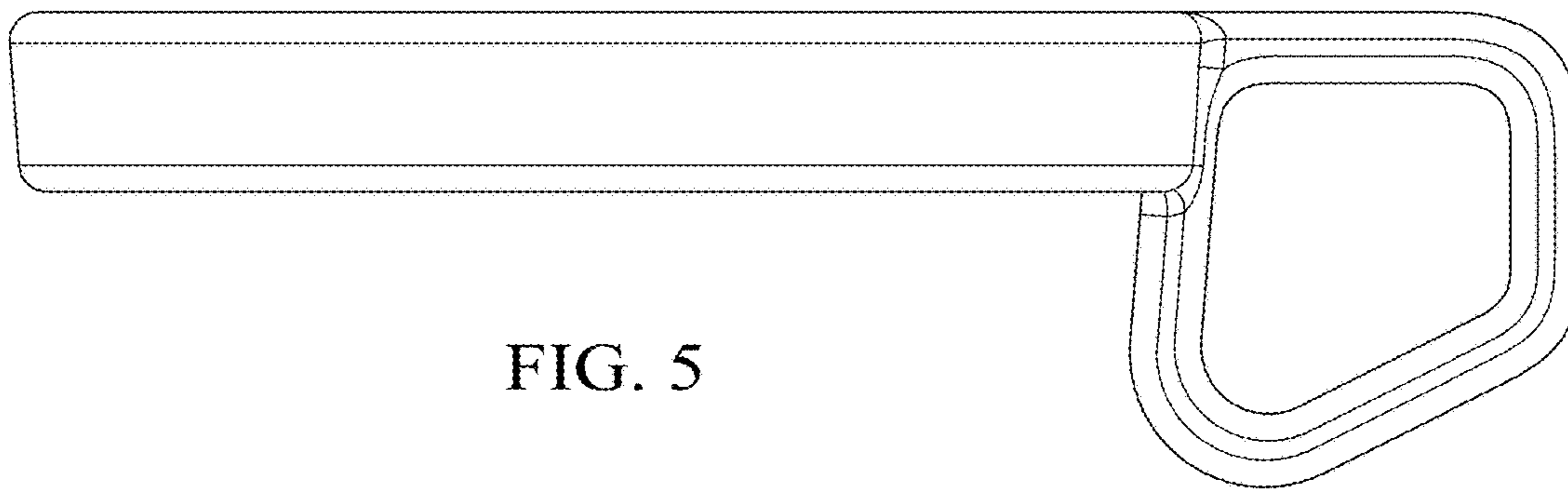


FIG. 5

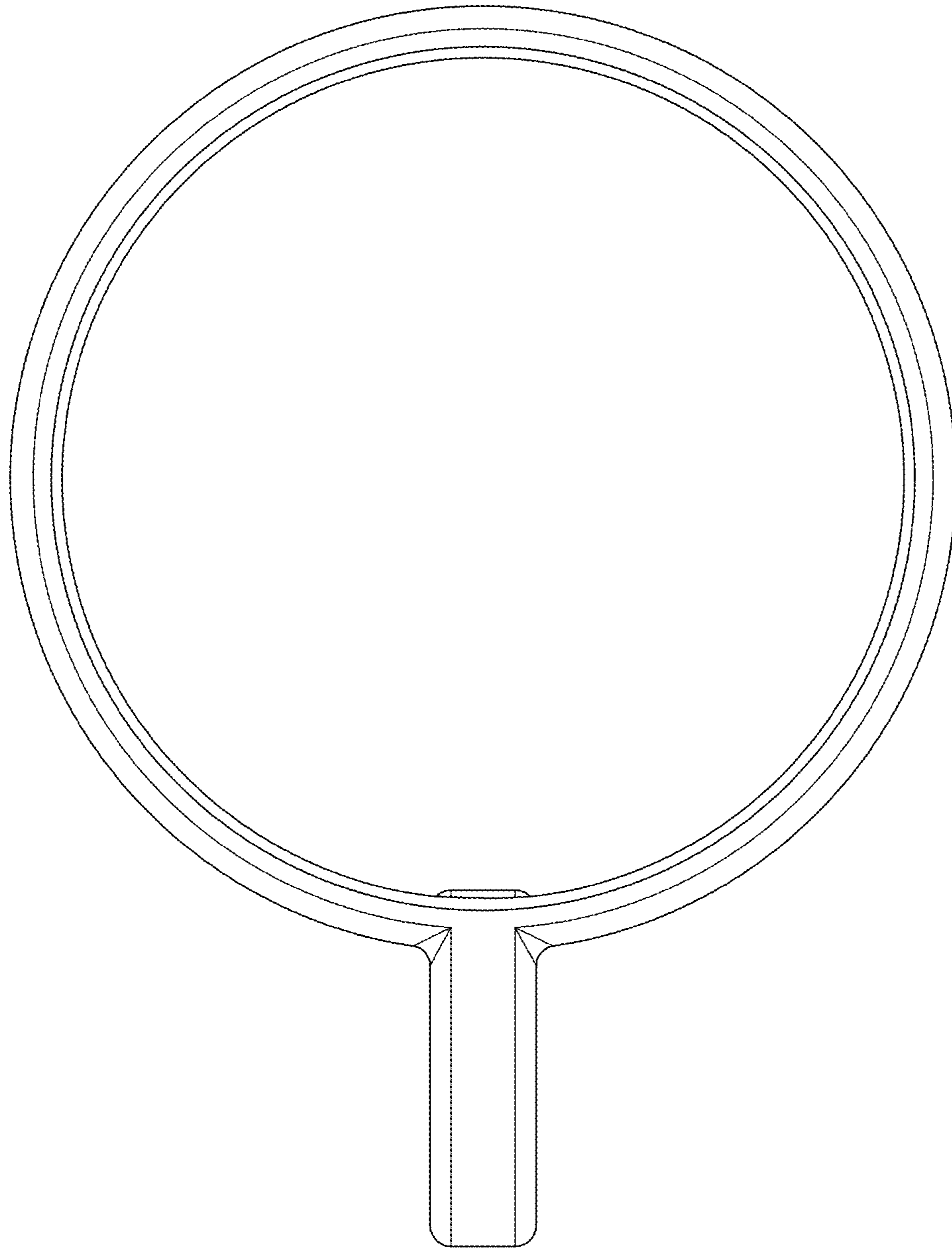


FIG. 6

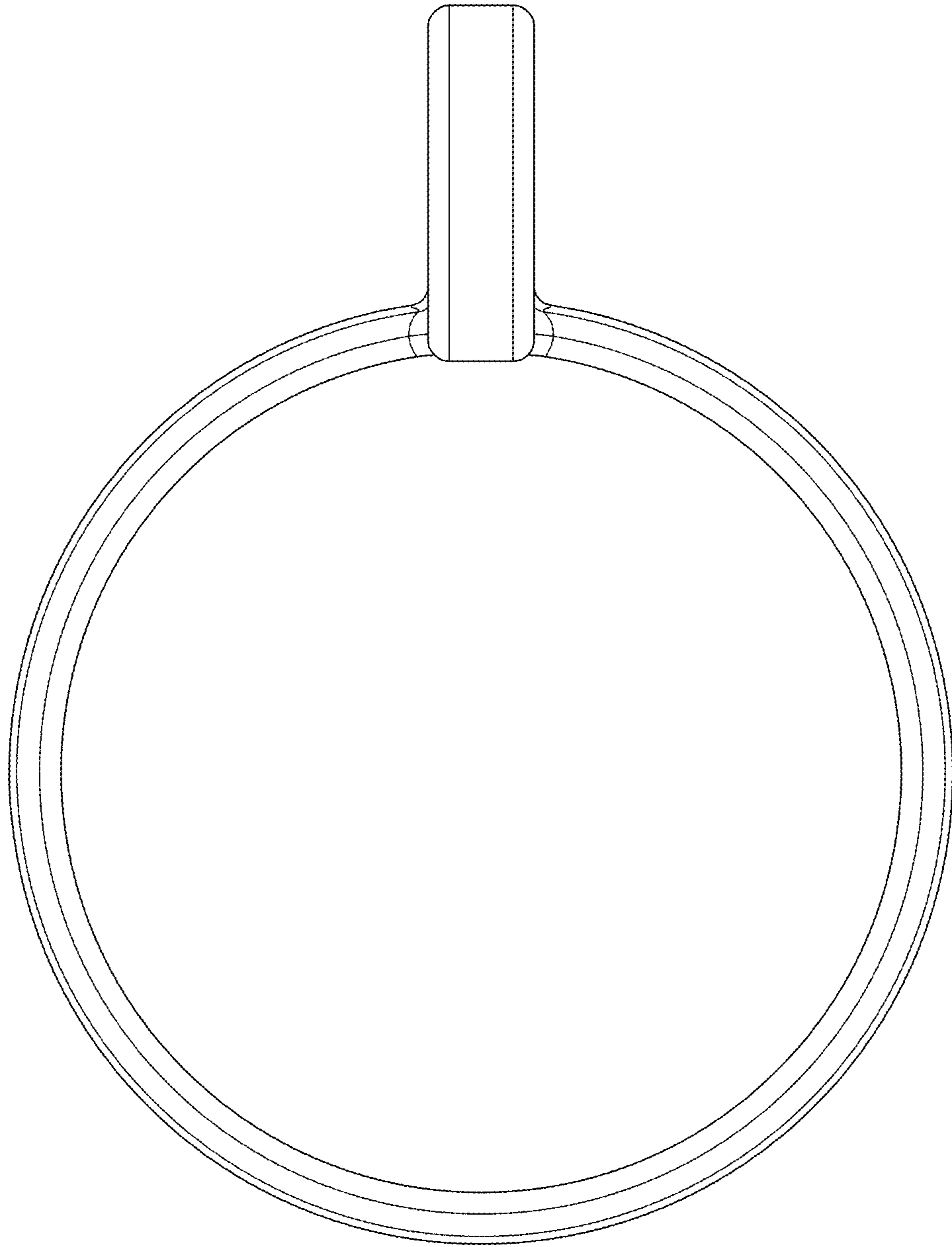


FIG. 7

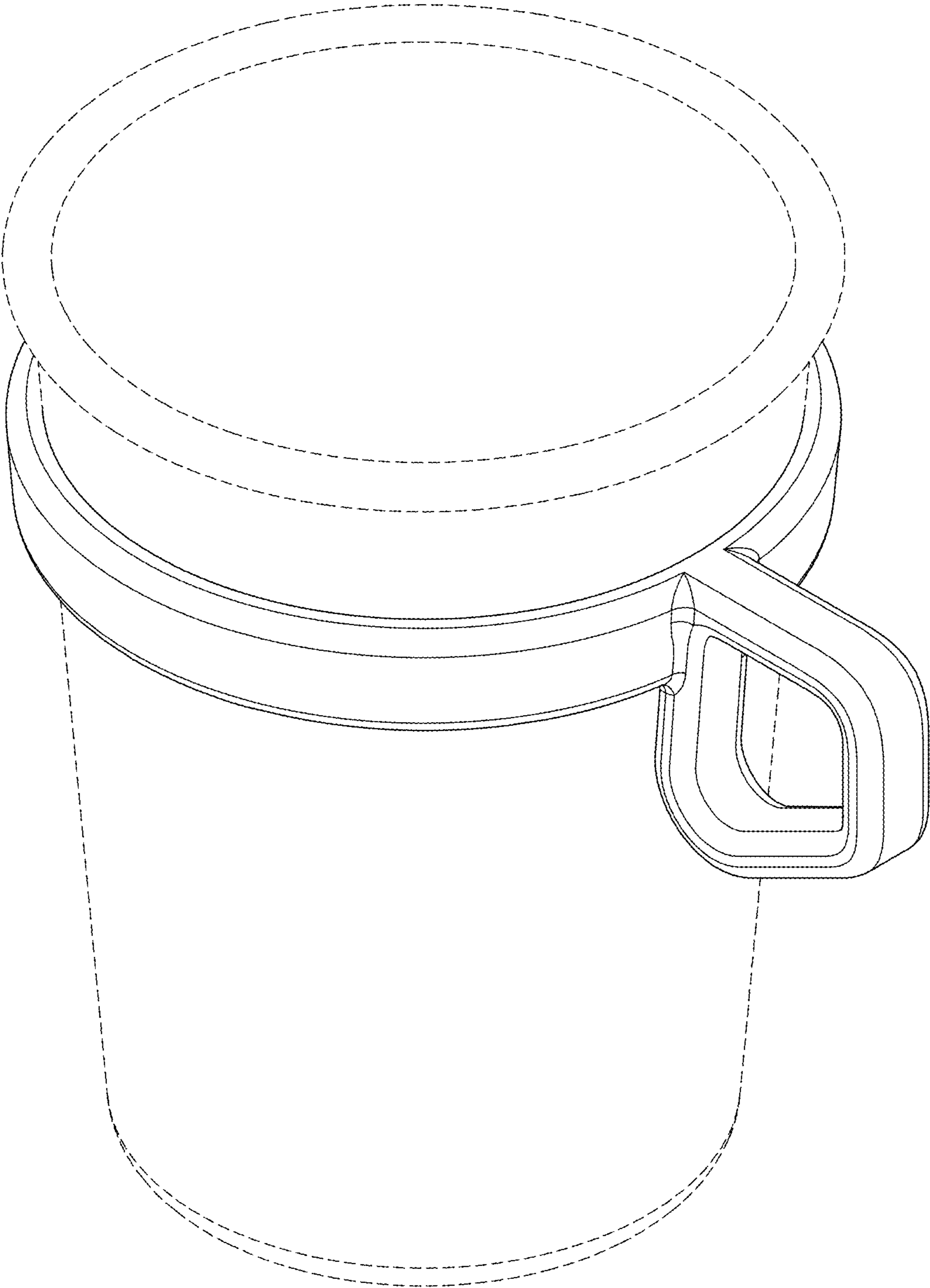


FIG. 8