



US00D809859S

(12) **United States Design Patent**  
**Munari**

(10) **Patent No.:** **US D809,859 S**

(45) **Date of Patent:** **\*\* Feb. 13, 2018**

- (54) **SIDE HANDLE FOR COOKWARE**
- (71) Applicant: **LA TERMOPLASTIC F.B.M. S.R.L.**,  
Arsago Seprio (VA) (IT)
- (72) Inventor: **Marco Munari**, Cardano al Campo (IT)
- (73) Assignee: **LA TERMOPLASTIC F.B.M. S.R.L.**,  
Arsago Seprio (VA) (IT)
- (\*\*) Term: **15 Years**
- (21) Appl. No.: **29/583,071**
- (22) Filed: **Nov. 2, 2016**

(30) **Foreign Application Priority Data**

May 2, 2016 (EM) ..... 003105485

(51) **LOC (11) Cl.** ..... **07-02**

(52) **U.S. Cl.**  
USPC ..... **D7/394**

(58) **Field of Classification Search**

USPC ..... D7/354-361, 391, 393-395, 396.2, 514,  
D7/664; D8/107, 300, 301, 306, 315,  
D8/316, 317, 319, 320, 321; D3/318  
CPC ..... A47J 45/06; A47J 45/061; A47J 45/62;  
A47J 45/08; A47J 45/085; B65D  
25/2802; B65D 25/2882; B65D 25/2885;  
B65D 25/2888; B65D 25/2894; Y10S  
220/912

See application file for complete search history.

(56) **References Cited**

**U.S. PATENT DOCUMENTS**

D391,444 S \* 3/1998 Munari ..... D7/393  
D516,377 S \* 3/2006 Plichon ..... D7/394

D524,597 S \* 7/2006 Munari ..... D7/394  
D525,079 S \* 7/2006 Munari ..... D7/394  
D527,220 S \* 8/2006 Scipioni ..... D7/394  
D528,856 S \* 9/2006 Pascal ..... D7/394  
D554,939 S \* 11/2007 Munari ..... D7/394  
D607,270 S \* 1/2010 Munari ..... D7/394  
D615,350 S \* 5/2010 Munari ..... D7/394  
D620,748 S \* 8/2010 Munari ..... D7/394  
D680,806 S \* 4/2013 Munari ..... D7/394  
D683,582 S \* 6/2013 Rae ..... D7/394  
D776,479 S \* 1/2017 Munari ..... D7/394

\* cited by examiner

*Primary Examiner* — Cynthia M Chin

(74) *Attorney, Agent, or Firm* — Hadman & Costigan,  
P.C.; James V. Costigan; Kathleen A. Costigan

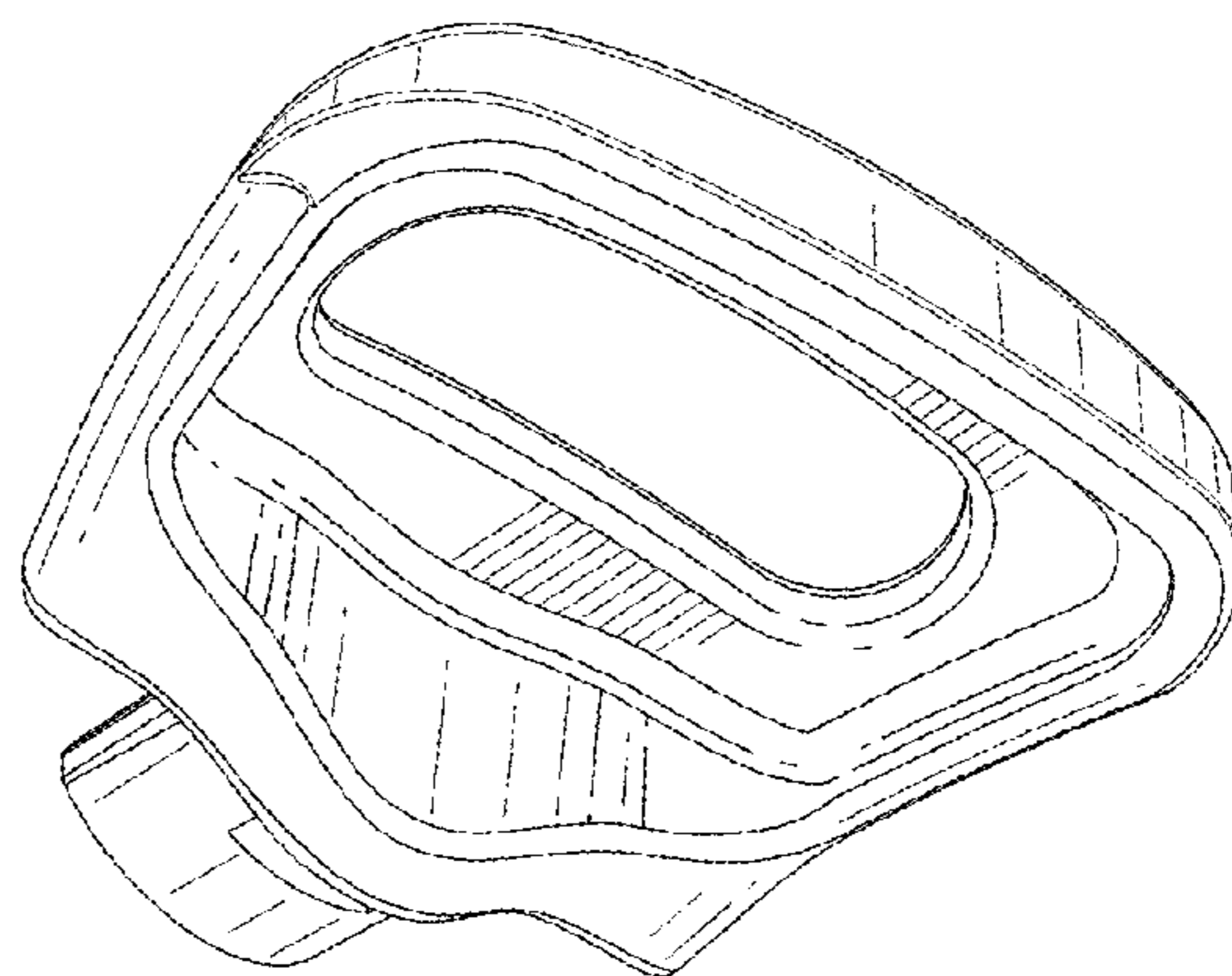
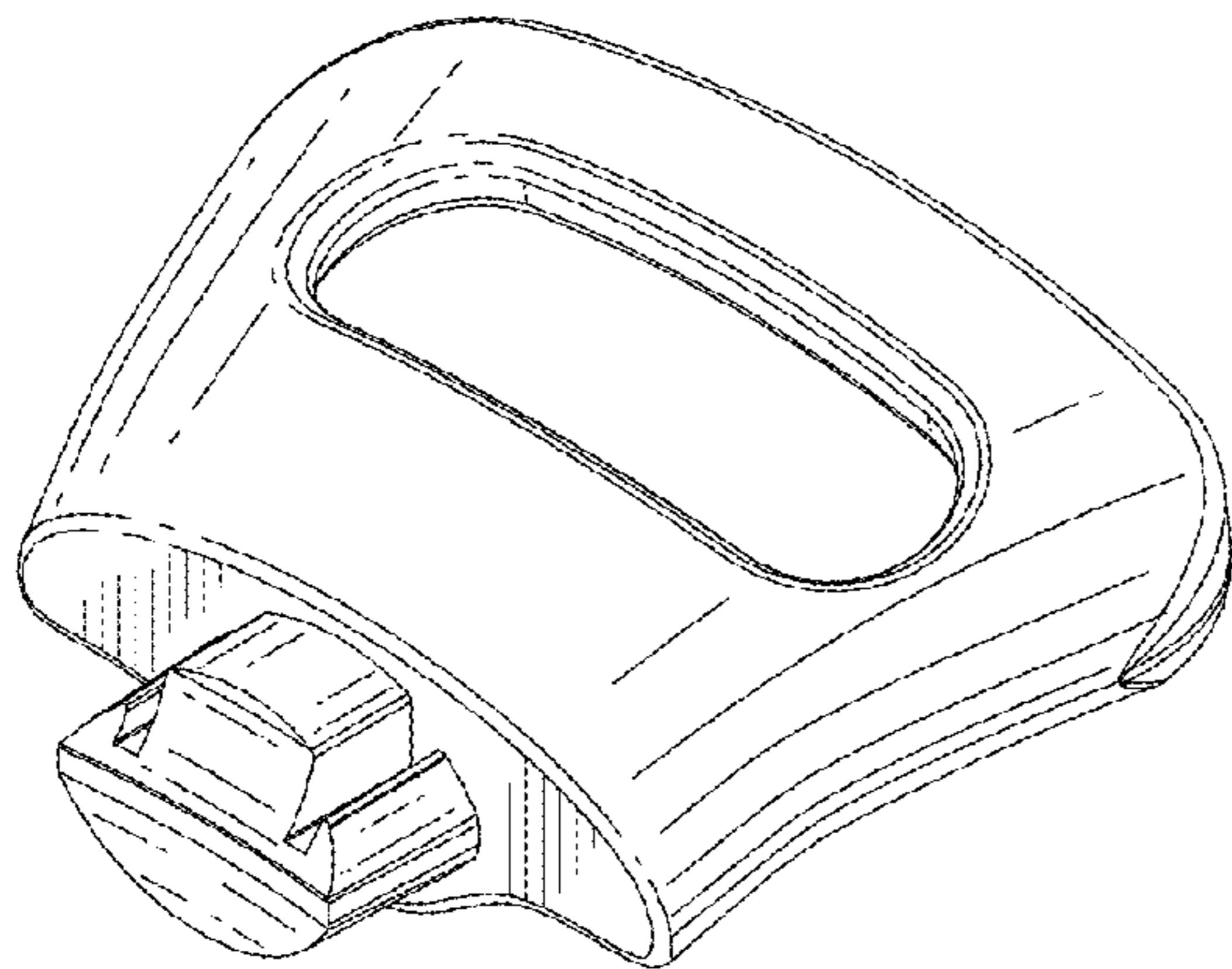
(57) **CLAIM**

I claim the ornamental design for a side handle for cook-  
ware, as shown and described.

**DESCRIPTION**

FIG. 1 is a top perspective view of a side handle for  
cookware according to the present invention;  
FIG. 2 is a left side elevational view thereof;  
FIG. 3 is a right side elevational view thereof;  
FIG. 4 is a front elevational view thereof;  
FIG. 5 is a rear elevational view thereof;  
FIG. 6 is top plan view thereof;  
FIG. 7 is a bottom plan view thereof; and,  
FIG. 8 is a bottom perspective view thereof.

**1 Claim, 2 Drawing Sheets**



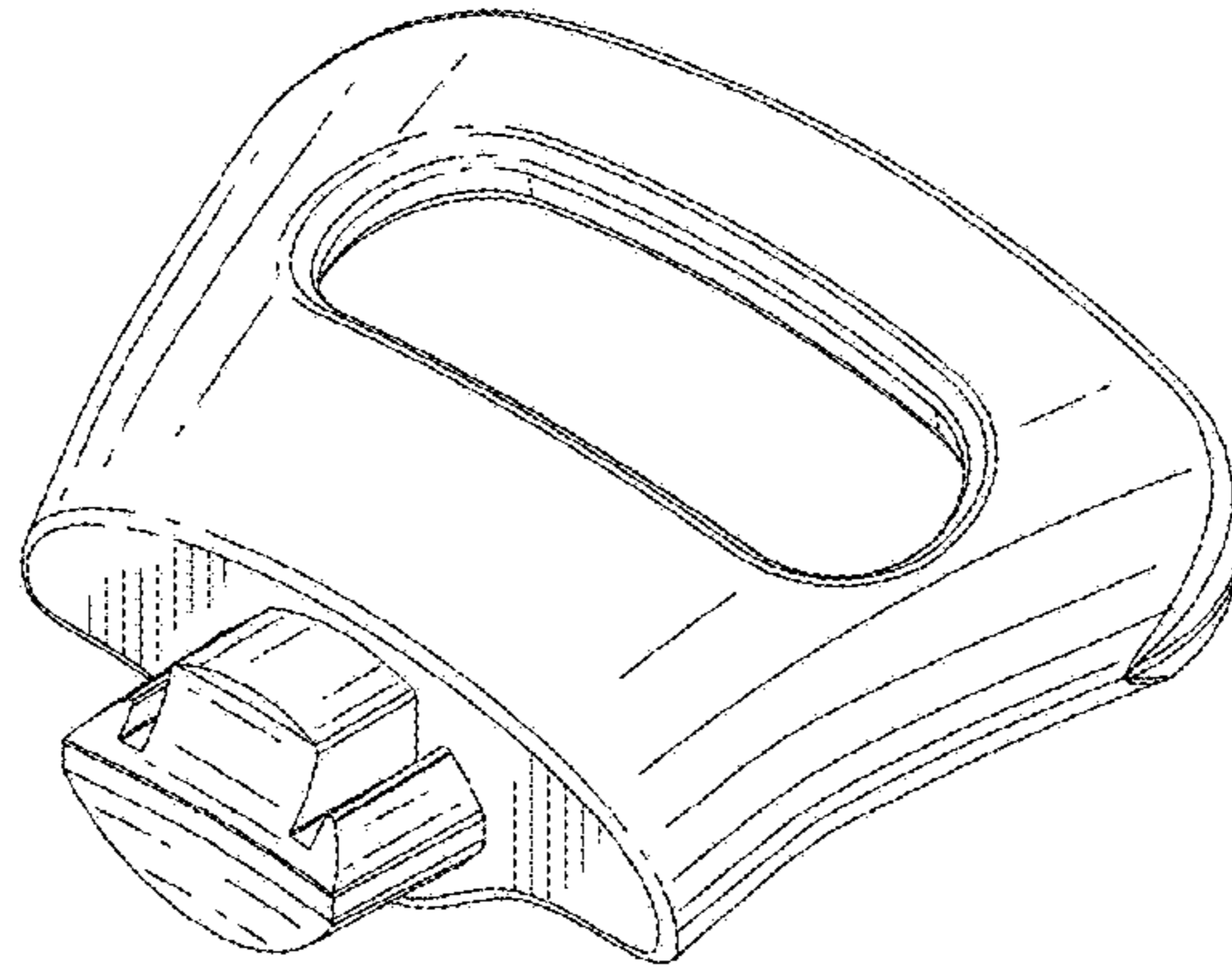


FIG. 1

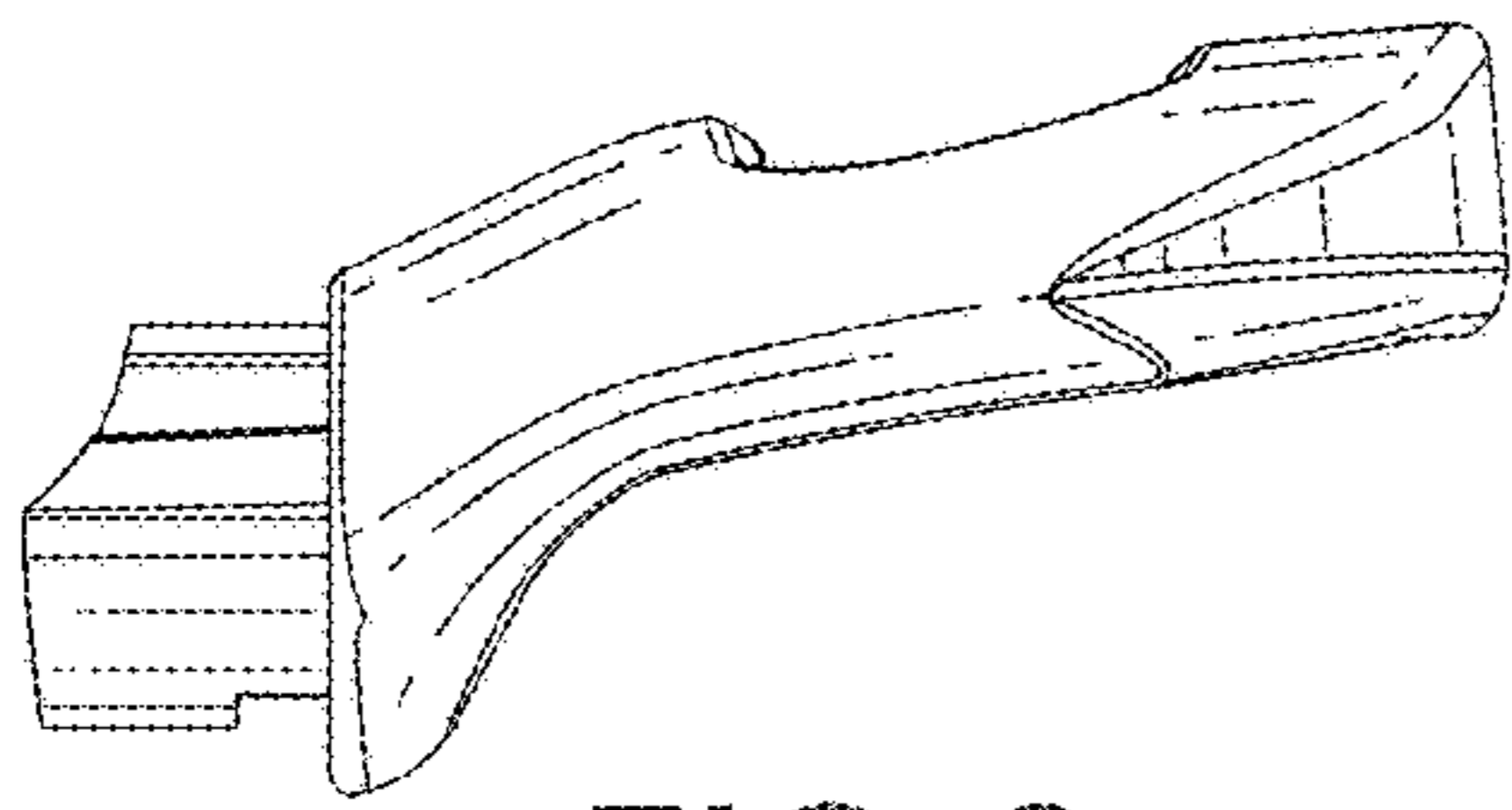


FIG. 2

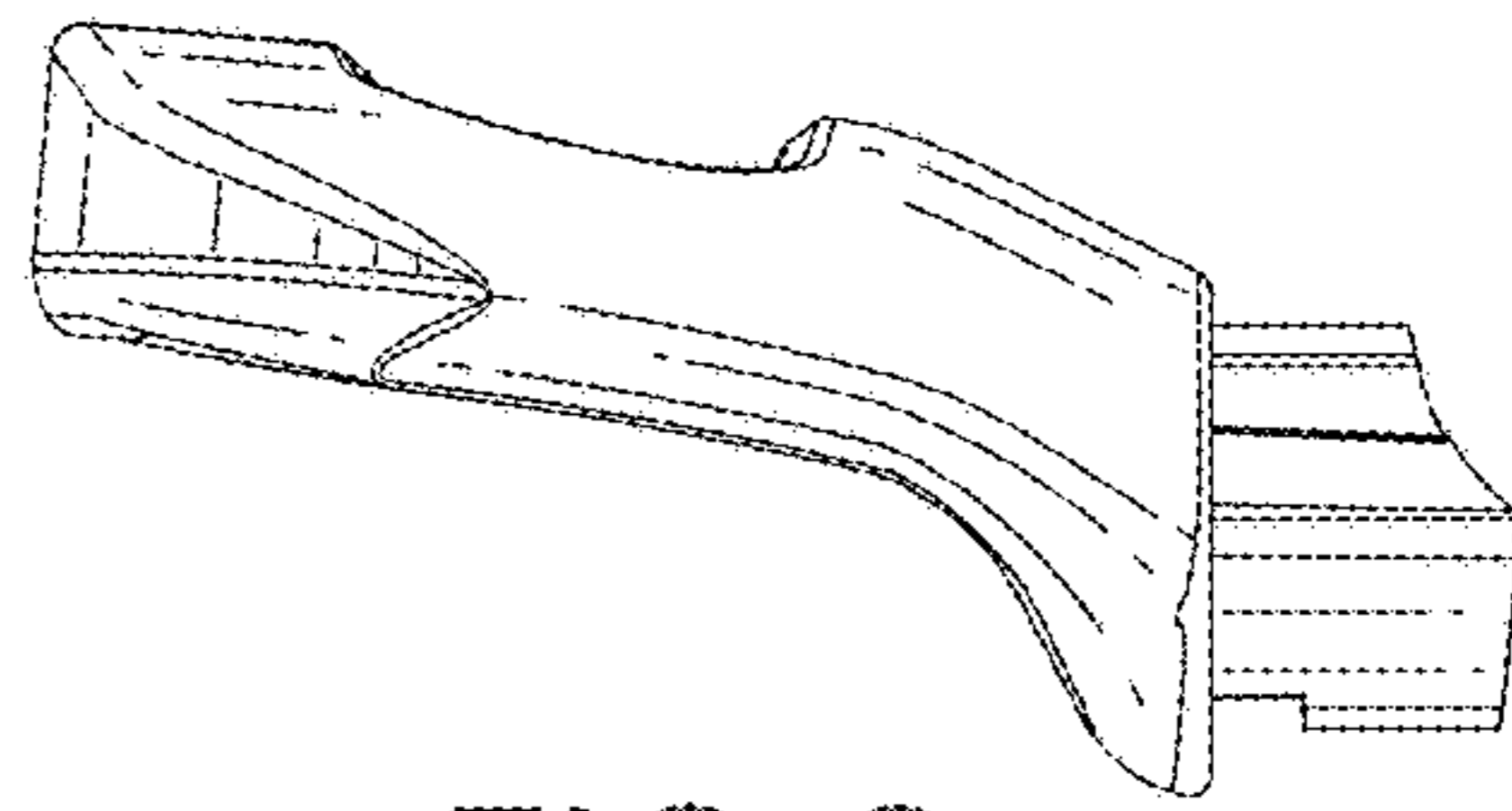


FIG. 3

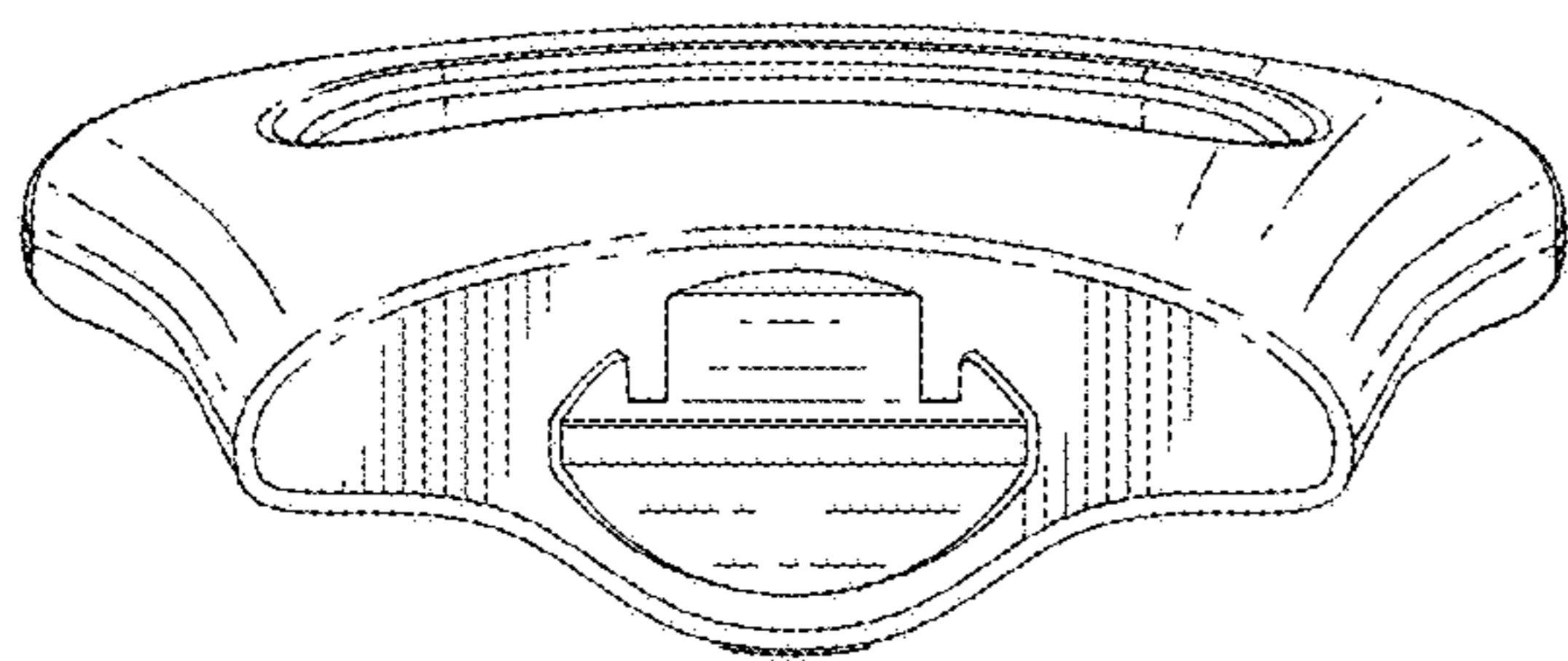


FIG. 4

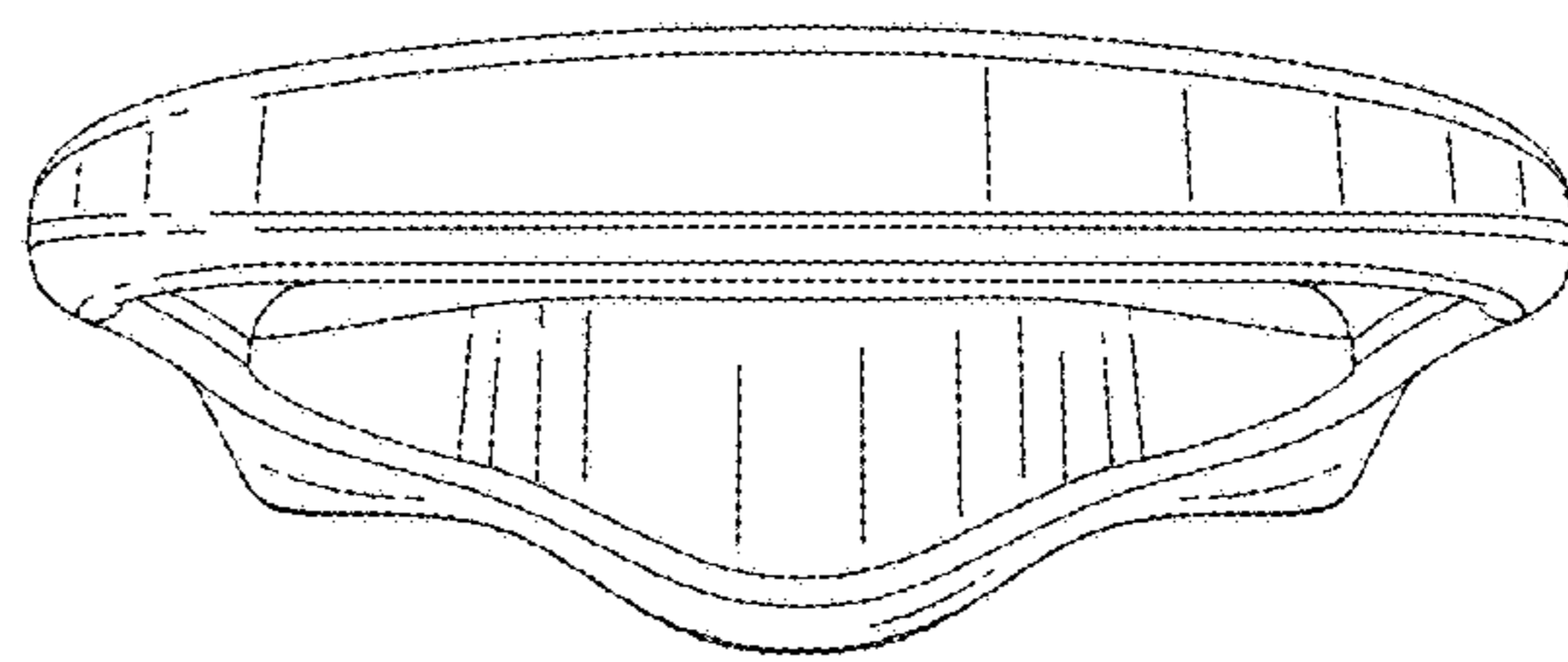


FIG. 5

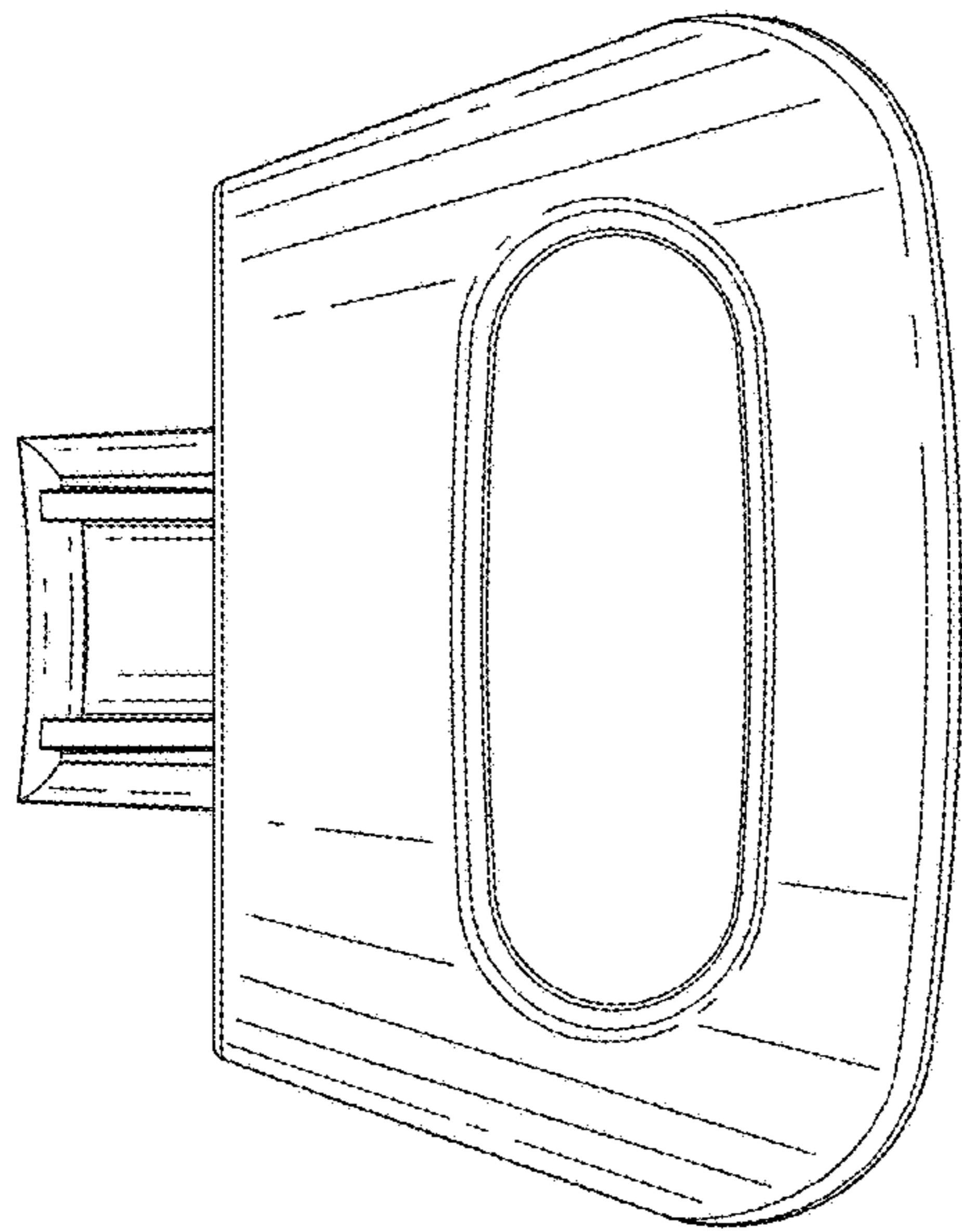


FIG. 6

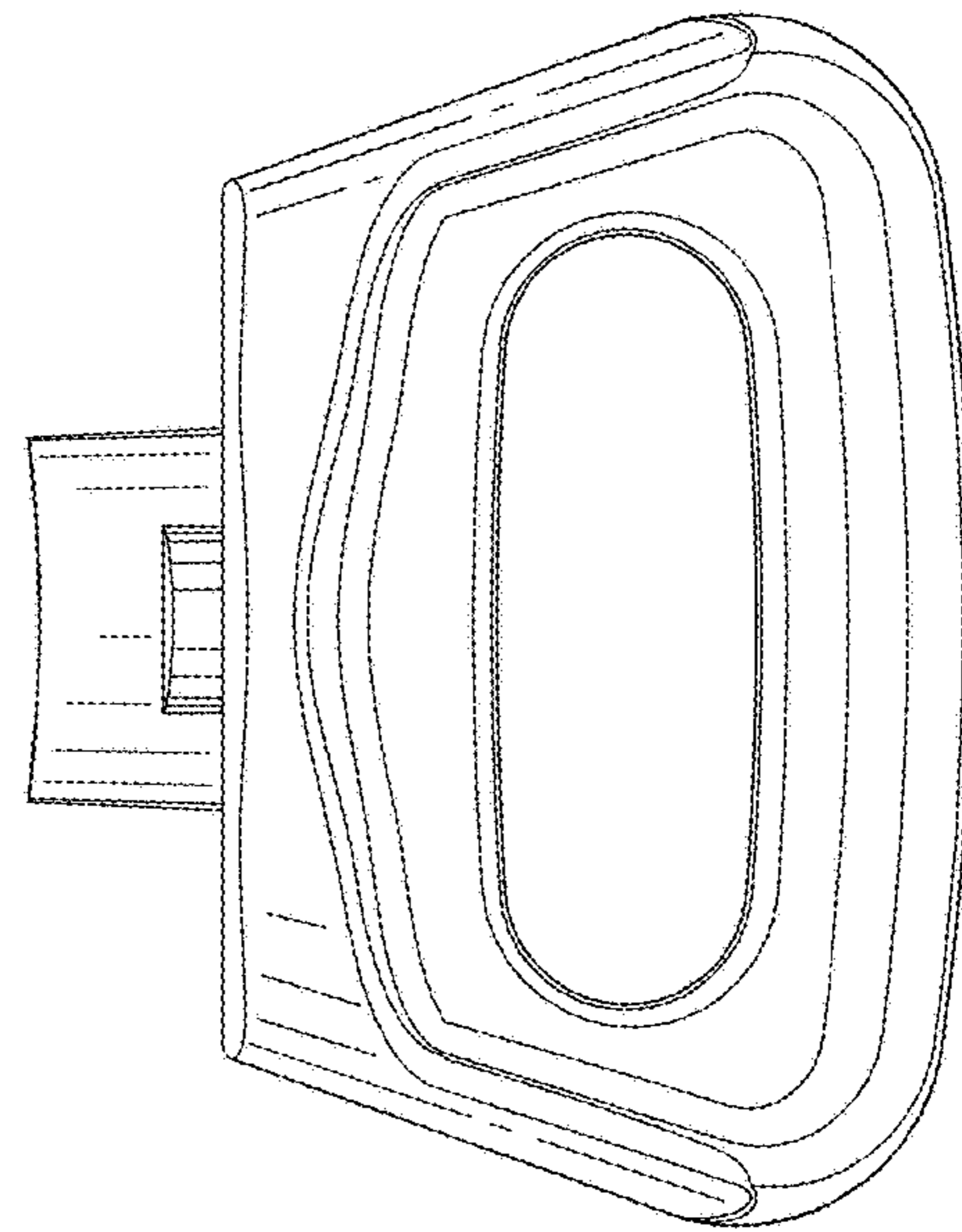


FIG. 7

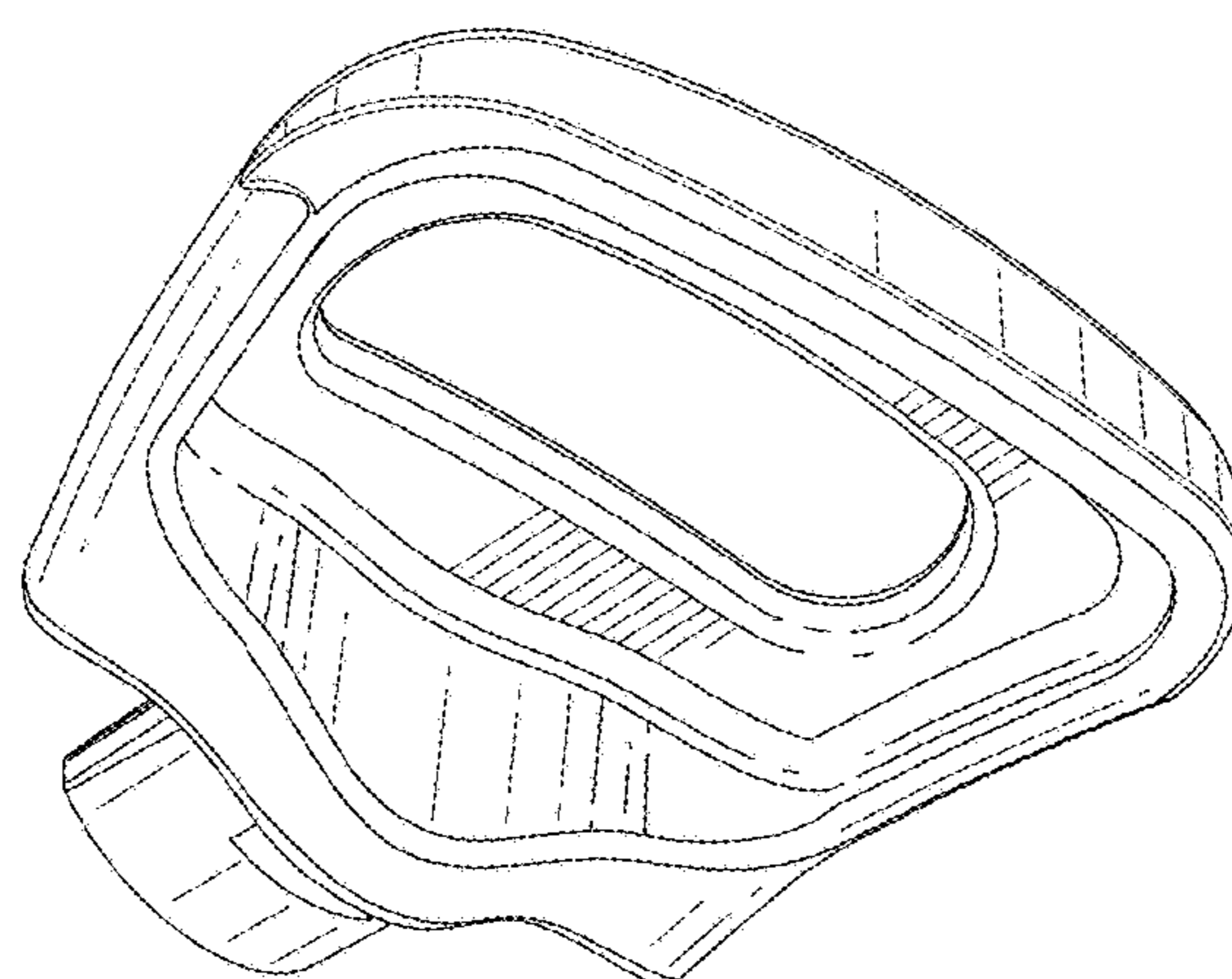


FIG. 8