



US00D809858S

(12) **United States Design Patent** (10) **Patent No.:** **US D809,858 S**  
**Gonzalez et al.** (45) **Date of Patent:** **\*\* Feb. 13, 2018**

- (54) **SIDE HANDLE**
- (71) Applicant: **All-Clad Metalcrafters LLC**,  
Canonsburg, PA (US)
- (72) Inventors: **Carlos Gonzalez**, Sunnyside, NY (US);  
**Marisol Rodriguez**, New York, NY  
(US); **Anthony J. Baxter**, Upper  
Montclair, NJ (US)
- (73) Assignee: **All-Clad Metalcrafters LLC**,  
Canonsburg, PA (US)
- (\*\*) Term: **15 Years**
- (21) Appl. No.: **29/564,378**
- (22) Filed: **May 12, 2016**
- (51) **LOC (11) Cl.** ..... **07-02**
- (52) **U.S. Cl.**  
USPC ..... **D7/394**
- (58) **Field of Classification Search**  
USPC ..... D3/318; D7/354-361, 391, 393-395,  
D7/396.2, 396, 401.1, 401.2, 514, 664;  
D8/317, 315-316, 319-321  
CPC ..... A47J 45/06; A47J 45/061; A47J 45/62;  
A47J 45/08; A47J 45/075; B65D  
25/2802; B65D 25/2882; B65D 25/2888;  
B65D 25/2894; B75D 25/2885; A61B  
17/1659; B44D 3/14  
See application file for complete search history.

D636,633 S *	4/2011	McEldowney	.....	D7/394
D644,482 S *	9/2011	Groll	.....	D7/394
D663,576 S *	7/2012	McEldowney	.....	D7/394
D693,634 S *	11/2013	Lee	.....	D7/394
D693,635 S *	11/2013	Lee	.....	D7/394
D711,184 S *	8/2014	Bowden	.....	D7/354
D728,994 S *	5/2015	Barberi	.....	D7/394
D728,998 S *	5/2015	Barberi	.....	D7/394
D740,602 S *	10/2015	Barberi	.....	D7/394
D747,879 S *	1/2016	Fair	.....	D3/318
D793,798 S *	8/2017	Carpenter	.....	D7/354

**OTHER PUBLICATIONS**

[www.amazon.com/All-Clad-E752S264-Stainless-Dishwasher-Nonstick](http://www.amazon.com/All-Clad-E752S264-Stainless-Dishwasher-Nonstick)—Feb. 6, 2017.\*

\* cited by examiner

*Primary Examiner* — Susan Bennett Hattan

*Assistant Examiner* — Camelia H Styles

(74) *Attorney, Agent, or Firm* — The Webb Law Firm

(57) **CLAIM**

The ornamental design for a side handle, as shown and described.

**DESCRIPTION**

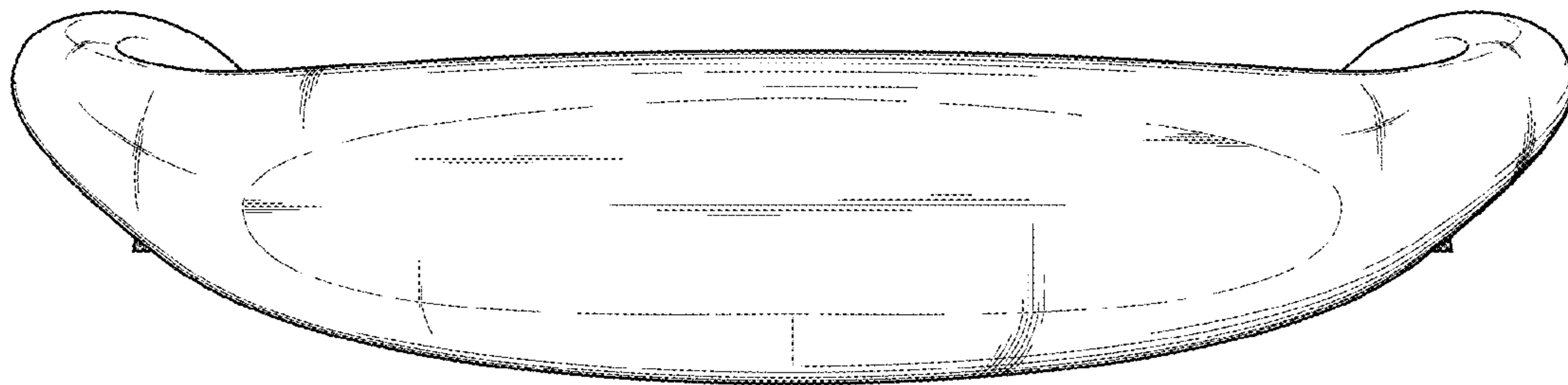
FIG. 1 is a top view of a side handle showing our new design;  
 FIG. 2 is a bottom view thereof;  
 FIG. 3 is a front view thereof;  
 FIG. 4 is a rear view thereof;  
 FIG. 5 is a left side view thereof;  
 FIG. 6 is a right side view thereof;  
 FIG. 7 is an upper left front perspective view thereof; and,  
 FIG. 8 is a lower right rear perspective view thereof.  
 The portions of the side handle shown in broken lines form no part of the claimed design.

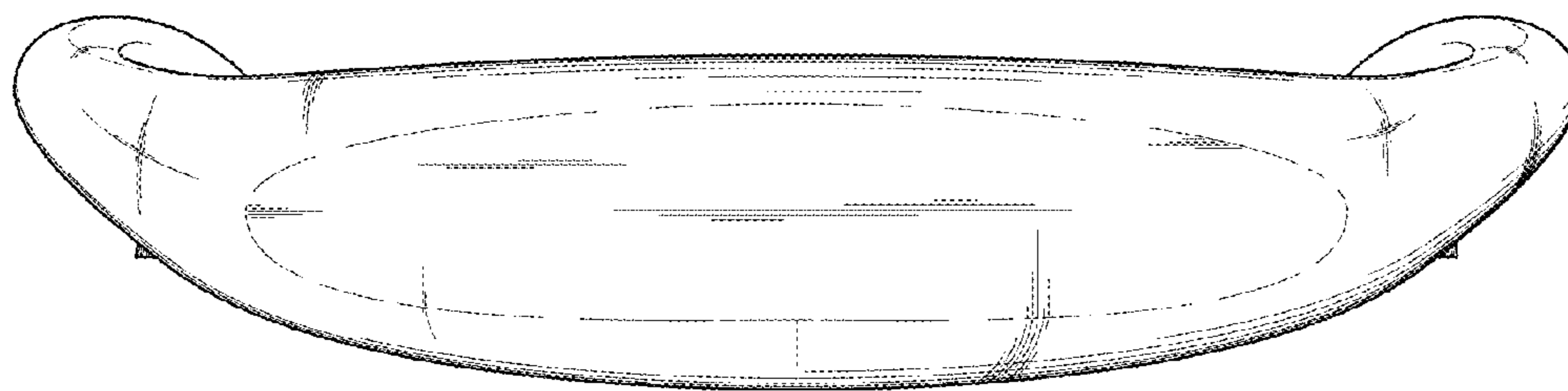
**1 Claim, 5 Drawing Sheets**

(56) **References Cited**

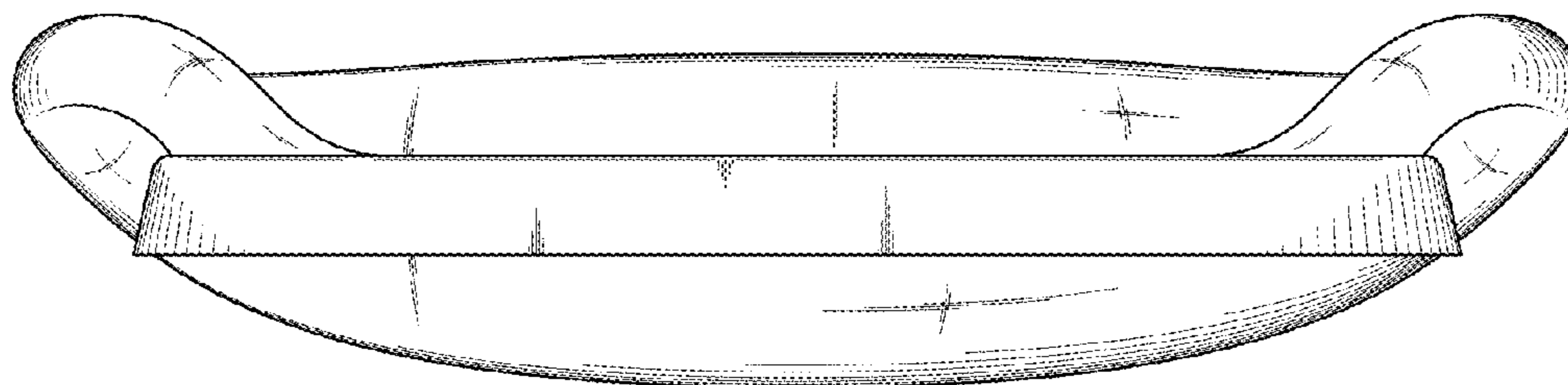
**U.S. PATENT DOCUMENTS**

D384,568 S *	10/1997	Mantarakis	.....	D8/301
D430,997 S *	9/2000	Magnusson	.....	D8/308
D470,389 S *	2/2003	Richardson	.....	D8/319
D509,420 S *	9/2005	Hauber	.....	D8/300
D626,815 S *	11/2010	Liang	.....	D8/301

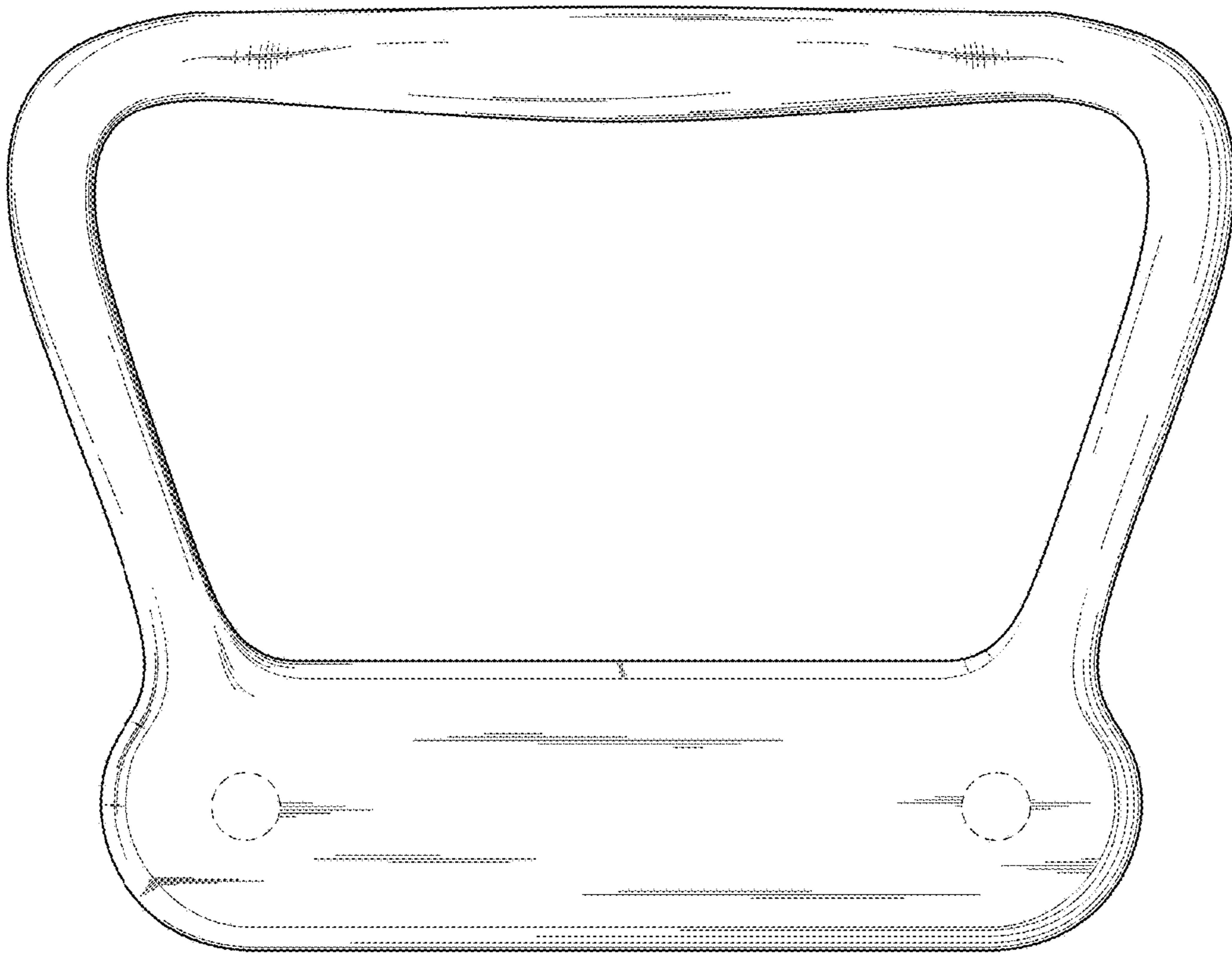




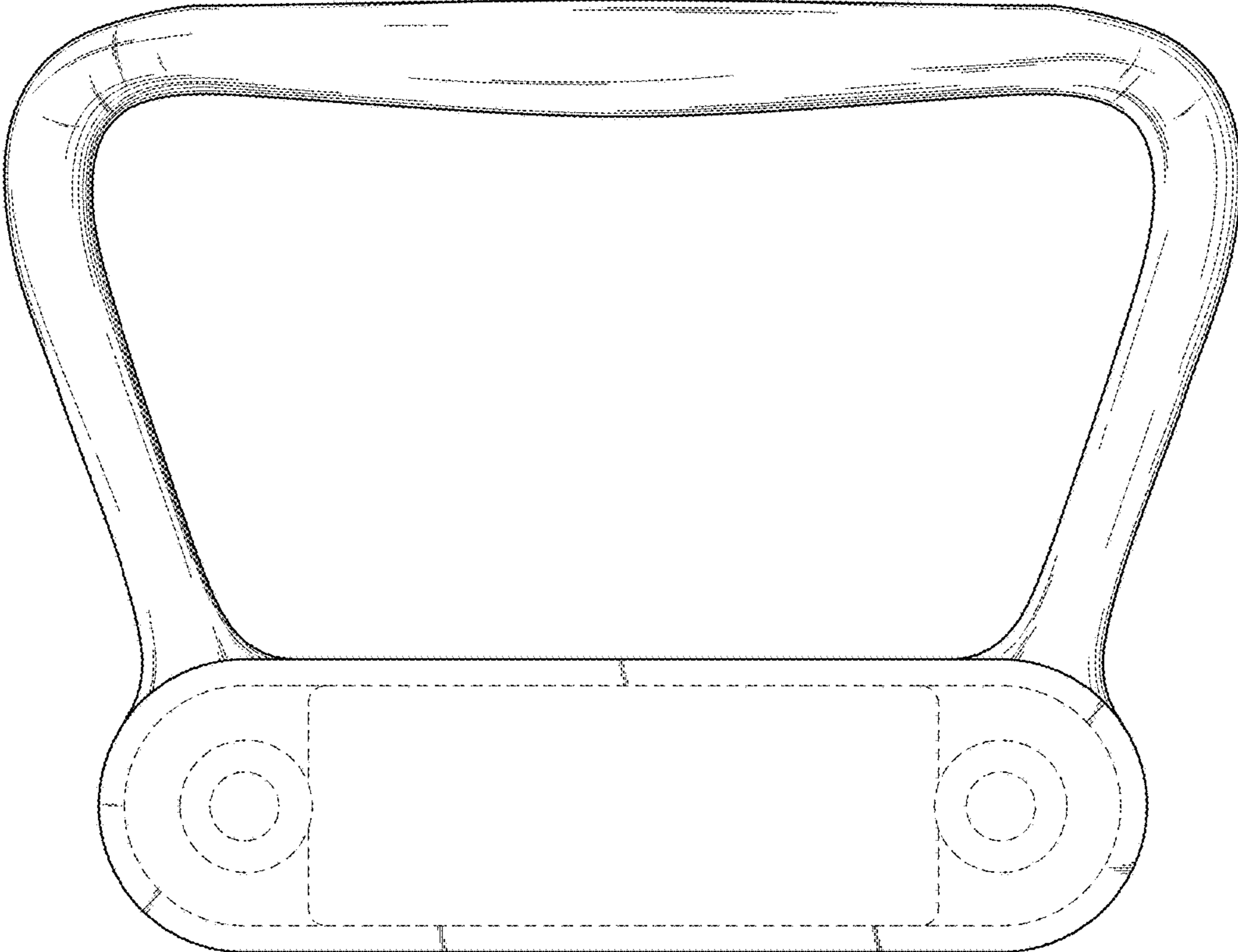
**FIG. 1**



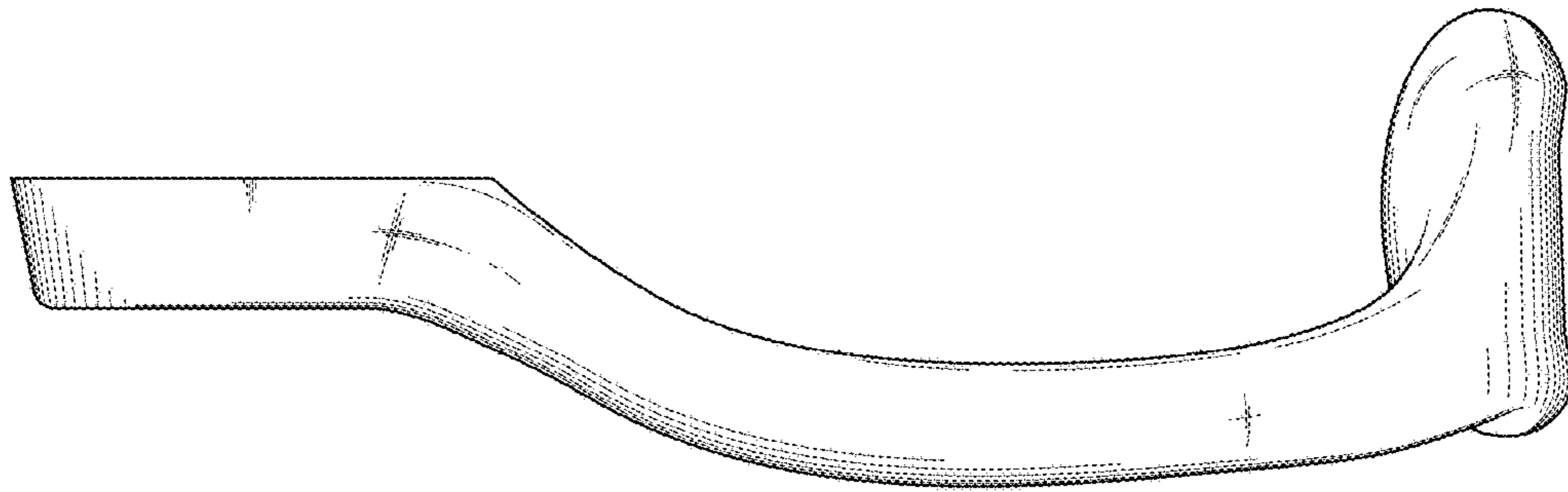
**FIG. 2**



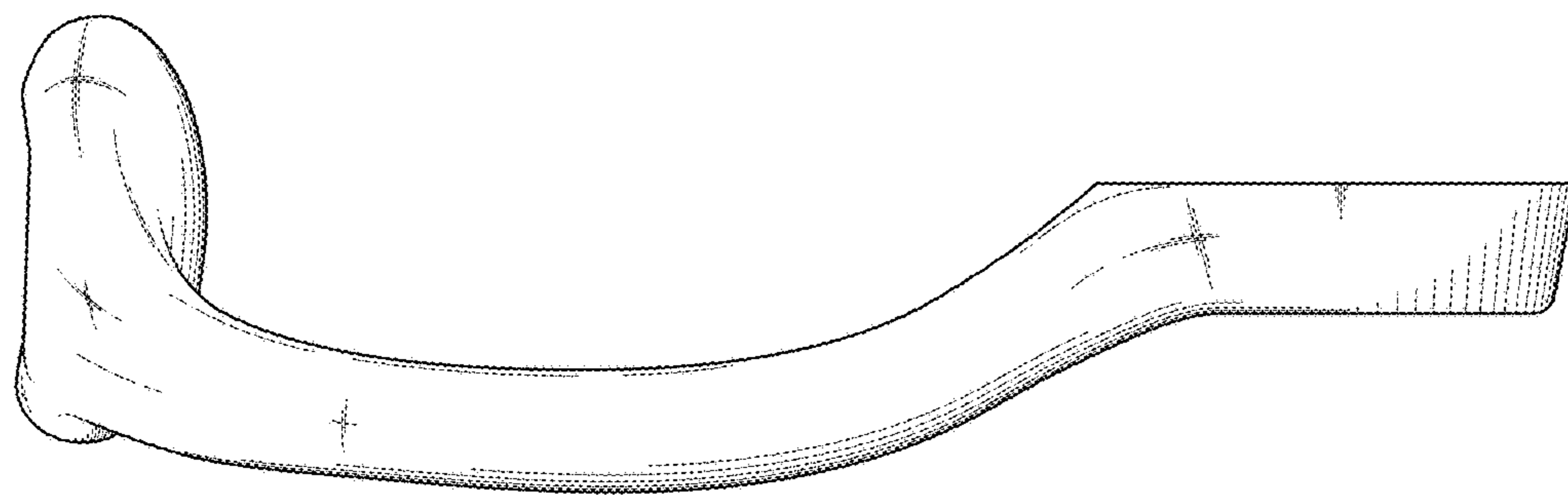
**FIG. 3**



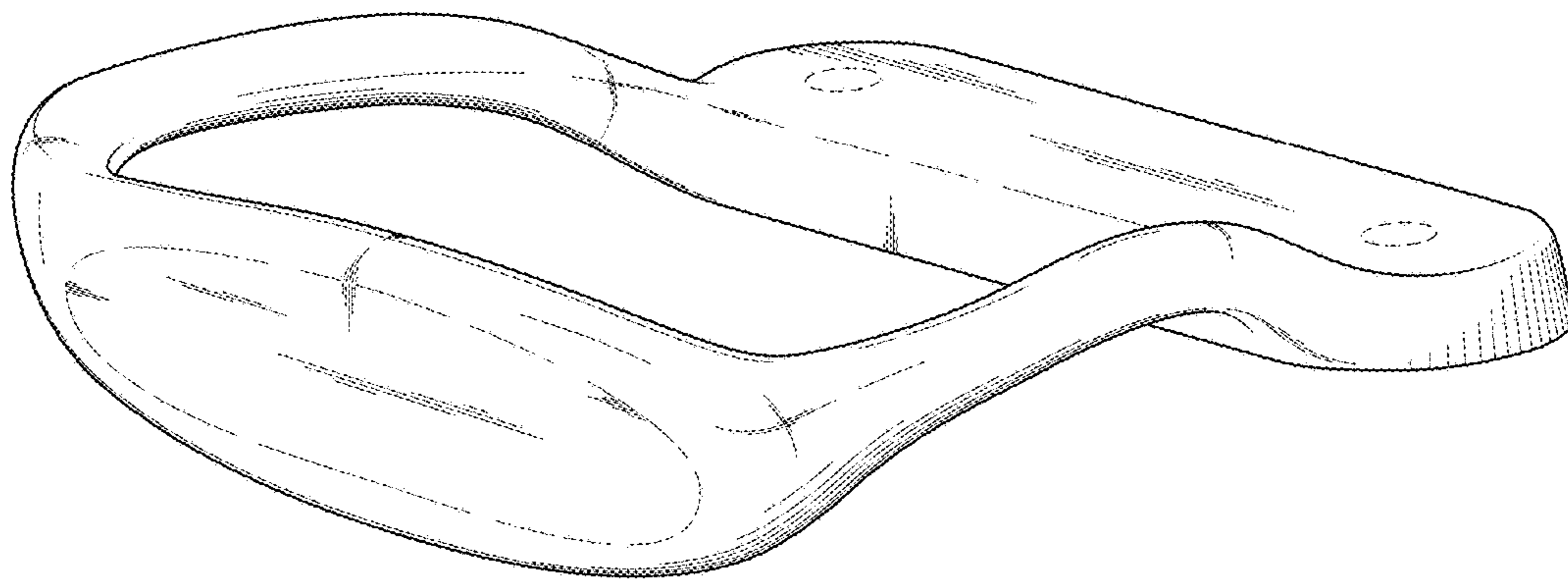
**FIG. 4**



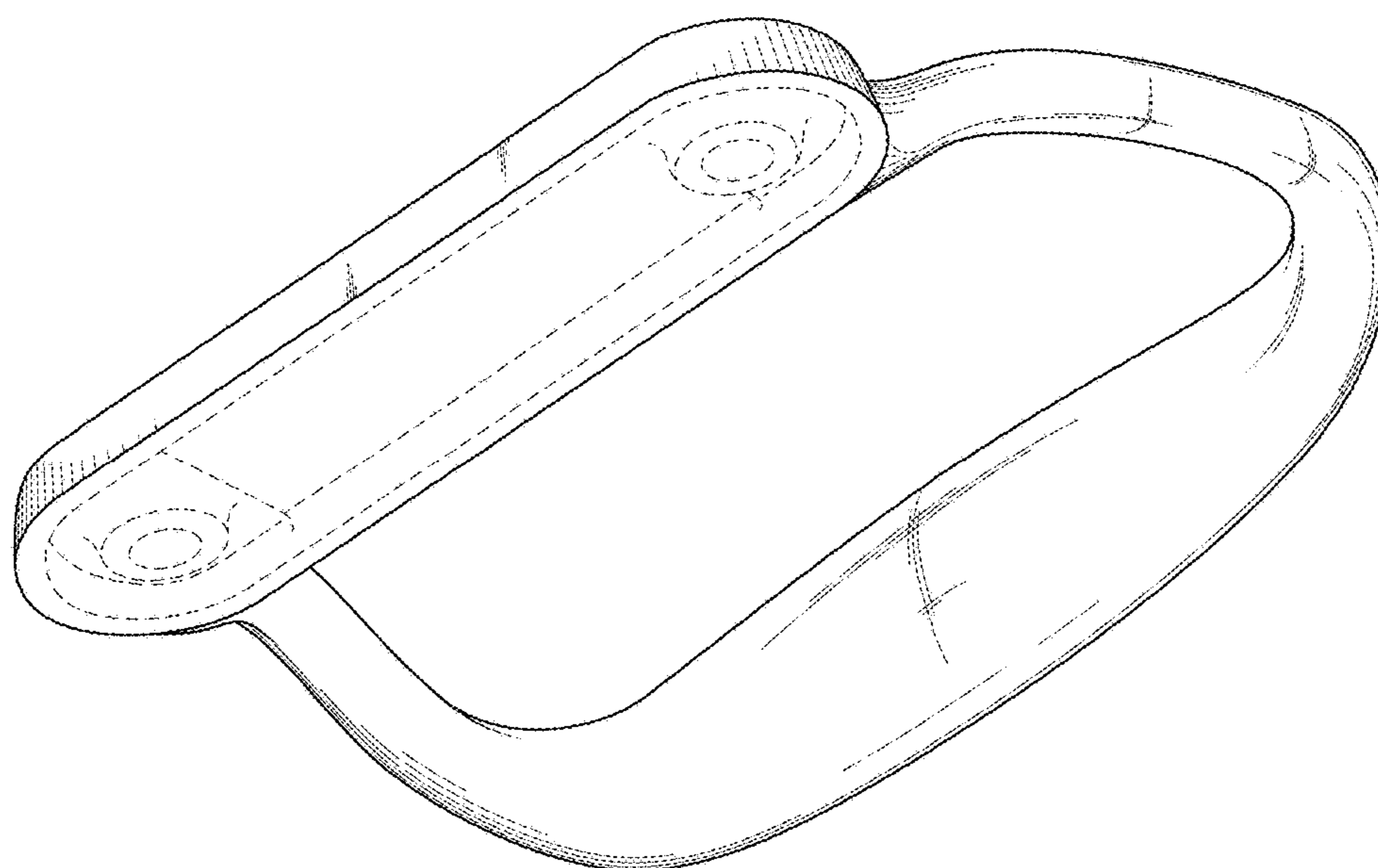
**FIG. 5**



**FIG. 6**



**FIG. 7**



**FIG. 8**