



US00D809856S

(12) **United States Design Patent**  
**Winn et al.**

(10) **Patent No.:** **US D809,856 S**  
(45) **Date of Patent:** **\*\* Feb. 13, 2018**

(54) **LID FOR WATER BOTTLE**

- (71) Applicant: **TRIMR, LLC**, Salt Lake City, UT (US)
- (72) Inventors: **Travis J. Winn**, Salt Lake City, UT (US); **Gary C. Moore**, Salt Lake City, UT (US); **Christopher R. Trunek**, Salt Lake City, UT (US)
- (73) Assignee: **TRIMR, LLC**, Draper, UT (US)
- (\*\*) Term: **14 Years**
- (21) Appl. No.: **29/525,829**
- (22) Filed: **May 4, 2015**

**Related U.S. Application Data**

- (63) Continuation-in-part of application No. 14/695,351, filed on Apr. 24, 2015.
- (51) **LOC (11) Cl.** ..... **07-01**
- (52) **U.S. Cl.**  
USPC ..... **D7/392.1**
- (58) **Field of Classification Search**  
USPC ..... D7/391, 392, 392.1, 396.1, 396.2, 509, D7/510, 511, 620; D9/435, 436, 440, D9/447, 516

(Continued)

(56) **References Cited**

**U.S. PATENT DOCUMENTS**

- 5,509,605 A 4/1996 Cripe
- 5,718,681 A 2/1998 Manning

(Continued)

**FOREIGN PATENT DOCUMENTS**

- JP 2009/528094 8/2009
- TW 2008/35456 9/2008

(Continued)

**OTHER PUBLICATIONS**

“Salute—24 oz. Tritan Bottle—Flip Straw Lid”. Found online Oct. 27, 2016 at waterbottles.com. Page dated Oct. 10, 2014. Retrieved from [http://web.archive.org/web/20141010061310/http://waterbottles.com/salute-24-oz-tritan-bottle-flip-straw-lid.\\*](http://web.archive.org/web/20141010061310/http://waterbottles.com/salute-24-oz-tritan-bottle-flip-straw-lid.*)

(Continued)

*Primary Examiner* — Robert M. Spear  
*Assistant Examiner* — Kendra Leslie Hamilton

(74) *Attorney, Agent, or Firm* — Workman Nydegger

(57) **CLAIM**

The ornamental design for a lid for water bottle, as shown and described.

**DESCRIPTION**

FIG. 1 is a top rear left perspective view of a lid for water bottle, showing our new design, with the spout rotated to a stowed position.

FIG. 2 is a left elevational view of the lid of FIG. 1.

FIG. 3 is a right elevational view of the lid of FIG. 1.

FIG. 4 is a front view of the lid of FIG. 1.

FIG. 5 is a rear view of the lid of FIG. 1.

FIG. 6 is a top view of the lid of FIG. 1.

FIG. 7 is a bottom view of the lid of FIG. 1.

FIG. 8 is a top rear left perspective view of the lid of FIG. 1, with the spout rotated to a condition of use.

FIG. 9 is a left elevational view of the lid of FIG. 8.

FIG. 10 is a right elevational view of the lid of FIG. 8.

FIG. 11 is a front view of the lid of FIG. 8.

FIG. 12 is a rear view of the lid of FIG. 8.

FIG. 13 is a top view of the lid of FIG. 8.

FIG. 14 is a top rear left perspective view of the lid of FIG. 1, with the spout rotated to an alternate configuration for use.

FIG. 15 is a left elevational view of the lid of FIG. 14.

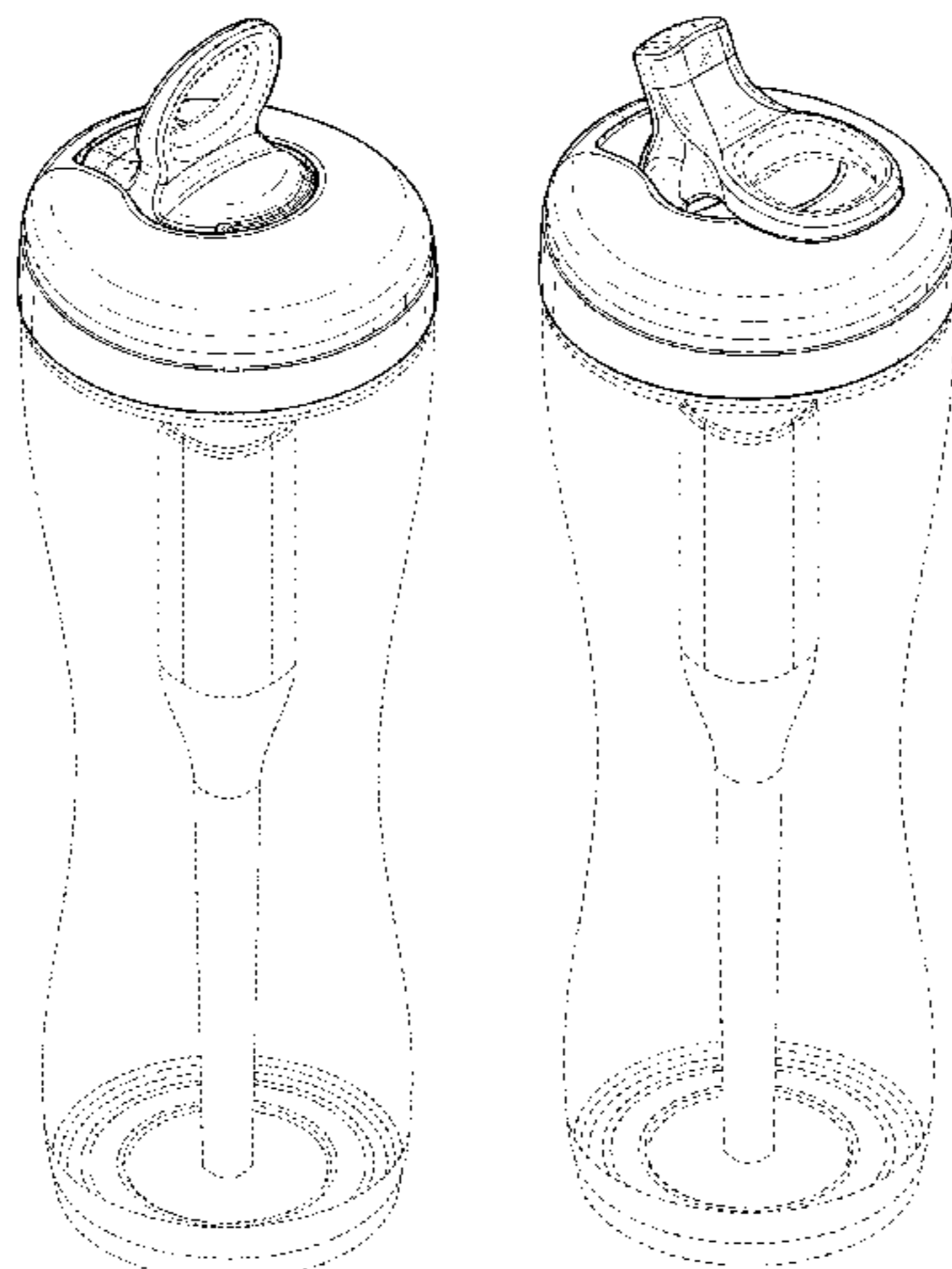
FIG. 16 is a right elevational view of the lid of FIG. 14.

FIG. 17 is a front view of the lid of FIG. 14.

FIG. 18 is a rear view of the lid of FIG. 14; and,

FIG. 19 is a top view of the lid of FIG. 14.

(Continued)



Evenly spaced broken lines shown are directed to features that are not part of the claimed design.

1 Claim, 18 Drawing Sheets

FOREIGN PATENT DOCUMENTS

WO 2008/055296 5/2008  
 WO 2010/050647 5/2010

OTHER PUBLICATIONS

(58) Field of Classification Search

CPC ..... A47G 19/2266  
 See application file for complete search history.

(56) References Cited

U.S. PATENT DOCUMENTS

5,873,478 A \* 2/1999 Sullivan ..... A47G 19/2266  
 215/389  
 6,109,538 A 8/2000 Villani et al.  
 6,482,451 B1 11/2002 Baron  
 D547,607 S \* 7/2007 Forsman ..... D7/396.2  
 D626,838 S \* 11/2010 Meyers ..... D9/443  
 D653,081 S \* 1/2012 George ..... D7/316  
 8,182,683 B1 5/2012 Allen  
 8,230,777 B2 7/2012 Anson et al.  
 8,318,011 B2 11/2012 O'Brien et al.  
 8,334,003 B2 12/2012 Baron  
 8,439,205 B1 5/2013 Nohren, Jr.  
 8,464,633 B2 6/2013 Anson et al.  
 D685,606 S \* 7/2013 Keys ..... D7/392.1  
 D700,807 S 3/2014 Kershaw et al.  
 D704,986 S \* 5/2014 Manies ..... D7/392  
 D729,569 S \* 5/2015 Herbst ..... D7/392  
 D745,827 S \* 12/2015 Sorensen ..... D7/392.1  
 D767,328 S \* 9/2016 Boroski ..... D7/392.1  
 2006/0180593 A1 8/2006 White  
 2006/0226110 A1 \* 10/2006 Choi ..... A47G 19/2266  
 215/228  
 2008/0187628 A1 8/2008 Champion et al.  
 2009/0026218 A1 \* 1/2009 Wong ..... B65D 47/2043  
 220/713  
 2010/0170902 A1 \* 7/2010 Britto ..... B65D 47/066  
 220/367.1  
 2012/0301579 A1 11/2012 Lee et al.  
 2013/0295232 A1 11/2013 Baron  
 2013/0319915 A1 12/2013 Gellibolian et al.  
 2014/0119154 A1 5/2014 Kershaw et al.  
 2014/0124393 A1 5/2014 Anson et al.  
 2014/0230659 A1 8/2014 Waggoner et al.  
 2015/0307265 A1 \* 10/2015 Winn ..... A23L 2/395  
 426/66

“Best Water Bottles Ever by Contigo!” Found online Oct. 25, 2016 at charlottesmartyants.com. Page dated Aug. 29, 2014. Retrieved from <http://charlottesmartyants.com/2014/08/smarty-back-to-school-giveaway-the-best-water-bottles-ever-by-contigo/>.\*

“Tervis Tumbler 24 oz. Water Bottle Review”. Found online Nov. 9, 2016 at the-gadgeteer.com. Page dated Apr. 8, 2012. Retrieved from <http://the-gadgeteer.com/2012/04/08/tervis-tumbler-24oz-water-bottle-review/>.\*

“Contigo Tranquil Bottle, 20 oz.” Found online Oct. 25, 2016 at amazon.com. Page dated Feb. 12, 2014. Retrieved from <https://www.amazon.com/Contigo-Tranquil-Bottle-20-Ounce-Blush/dp/B00IR77J5W>.\*

Burns, Chris. “One Keepable Cap, Lots Less Bottles.” Yanko Design, Jun. 22, 2010. Web. Accessed May 5, 2015. <<http://www.yankodesign.com/2010/06/22/one-keepable-cap-lots-less-bottles/>>.

“Camelback Groove.” Camelback Products, LLC, n.d. Web. Accessed Apr. 11, 2014. <<http://www.camelbak.com/Sports-Recreation/GrooveLanding/Main.aspx>>.

Gay, Andy. “Cirkul Bottle: Flavor on the Fly.” Kickstarter, Inc., Nov. 23, 2014. Web. Accessed Jan. 8, 2015. <<https://www.kickstarter.com/projects/cirkul/cirkul-your-drink-yourway>>.

“LiveWell Enhancement Tablets.” LiveWell Water LLC, n.d. Web. Accessed May 5, 2015. <<https://www.livewellwater.com/wp/products/livewell-supplements?>>.

“LiveWell Fresh Filter.” LiveWell Water LLC, n.d. Web. Accessed May 5, 2015. <<https://www.livewellwater.com/wp/products/livewell-filter?>>.

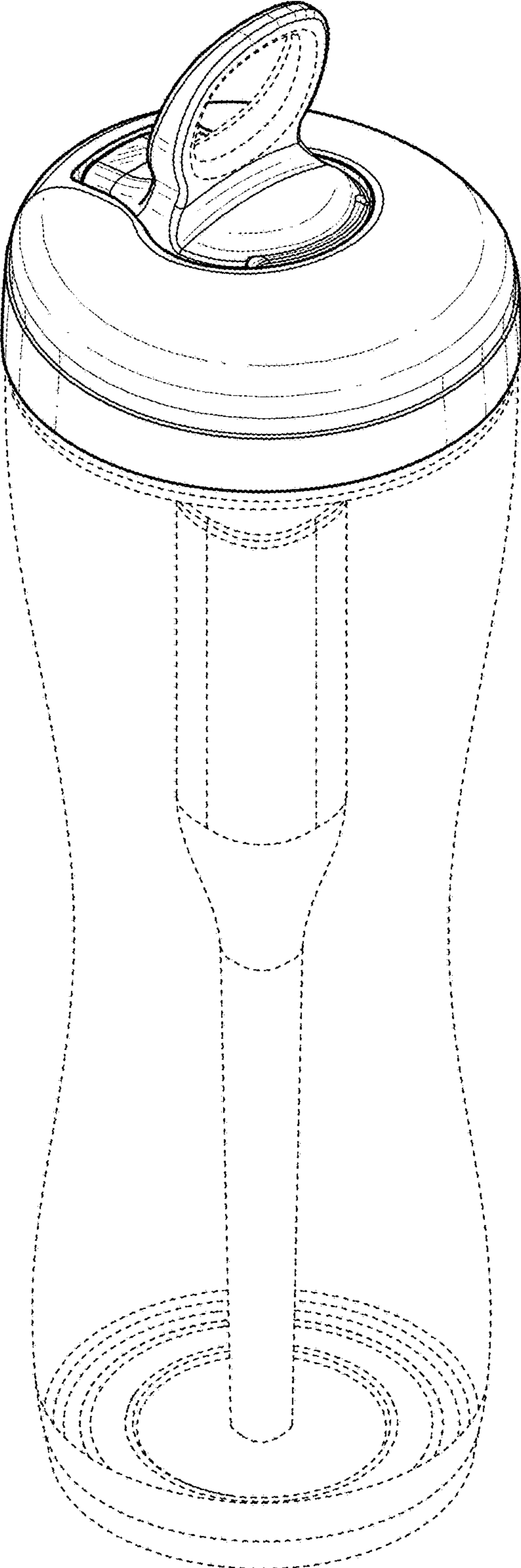
LiveWell Healthy Hydration System—Featuring Innovative Flow-Through Technology. LiveWell Water LLC, n.d. Web. Accessed May 5, 2015. <<https://www.livewellwater.com>>.

PCT International Search Report and Written Opinion of the International Searching Authority for PCT/US15/27457, dated Jul. 14, 2015, 13 pages.

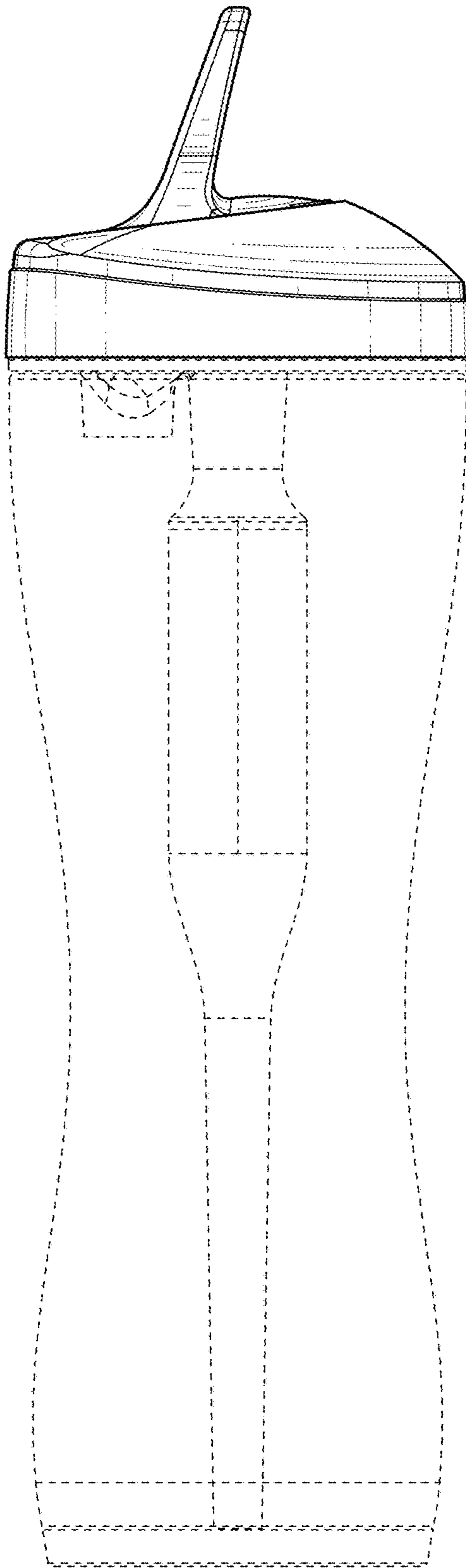
“The LiveWell Enhancement Chamber.” LiveWell Water LLC, n.d. Web. Accessed May 5, 2015. <<https://www.livewellwater.com/wp/products/livewell-supplement-chamber?>>.

“TruMarine Collagen SIP.” Unistraw, n.d. Web. Accessed Jan. 1, 2015. <<http://www.unistraw.com/#!/collagen-sip/c11hm>>.

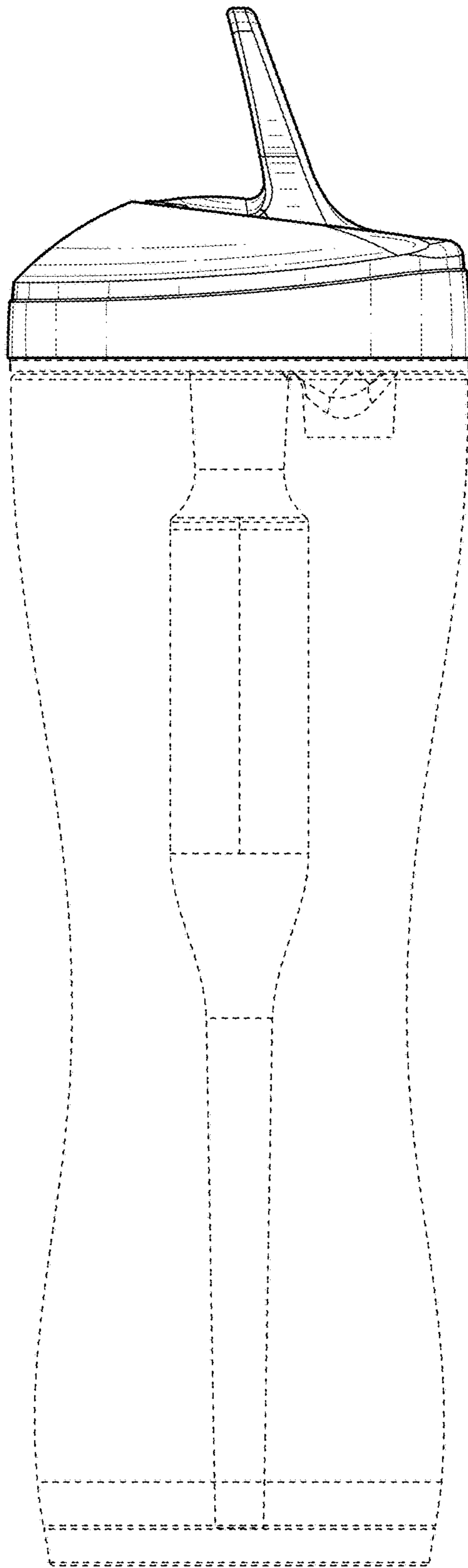
\* cited by examiner



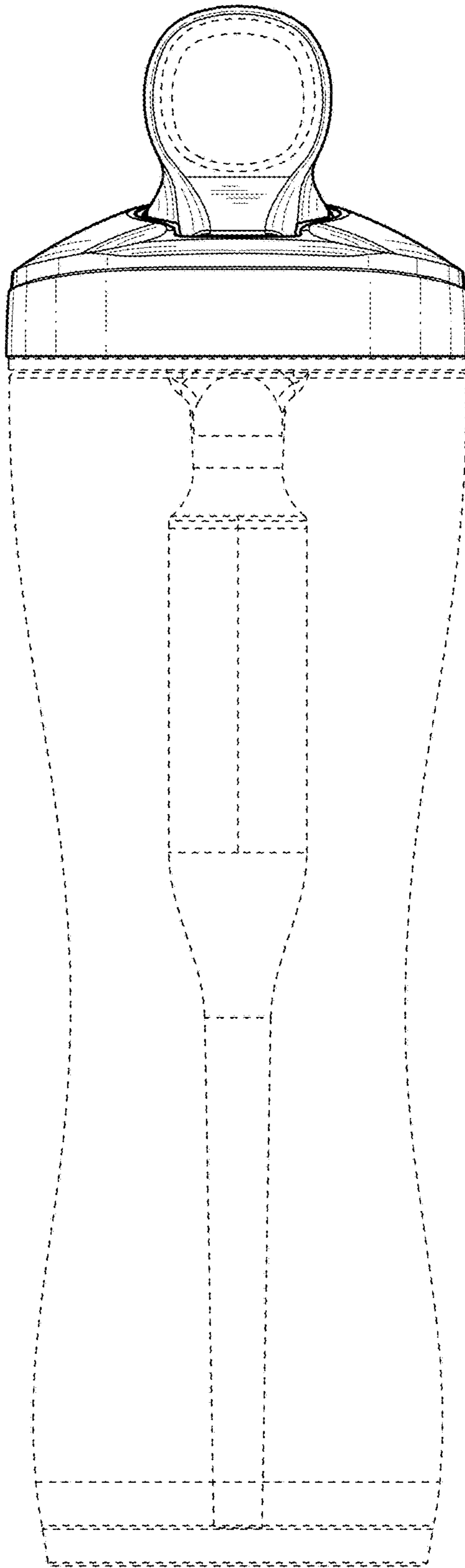
**FIG. 1**



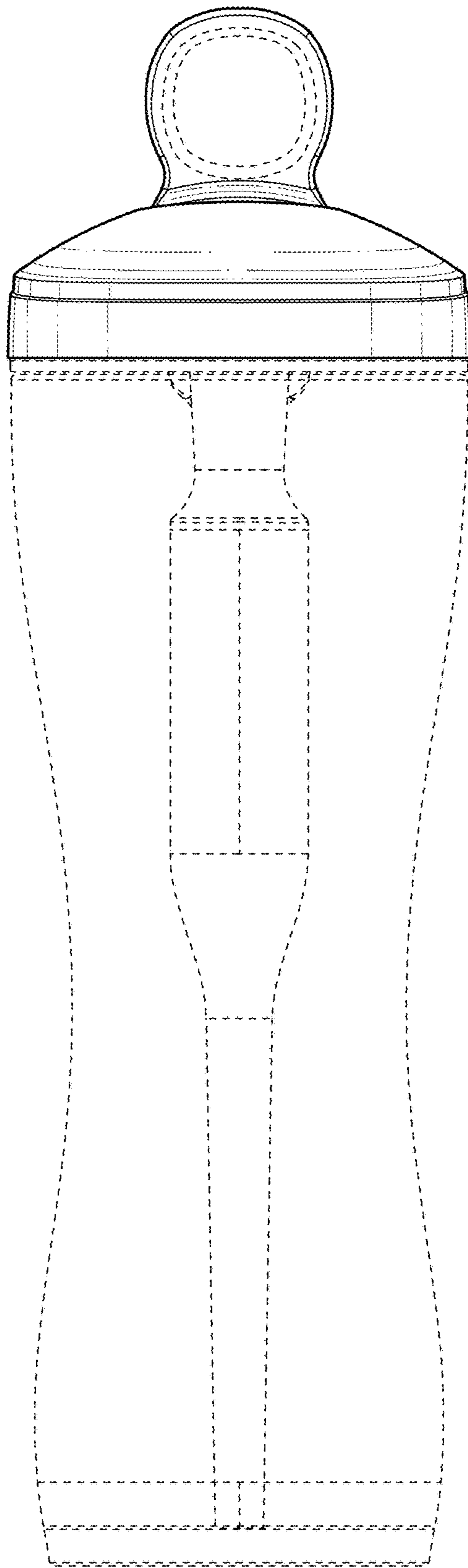
**FIG. 2**



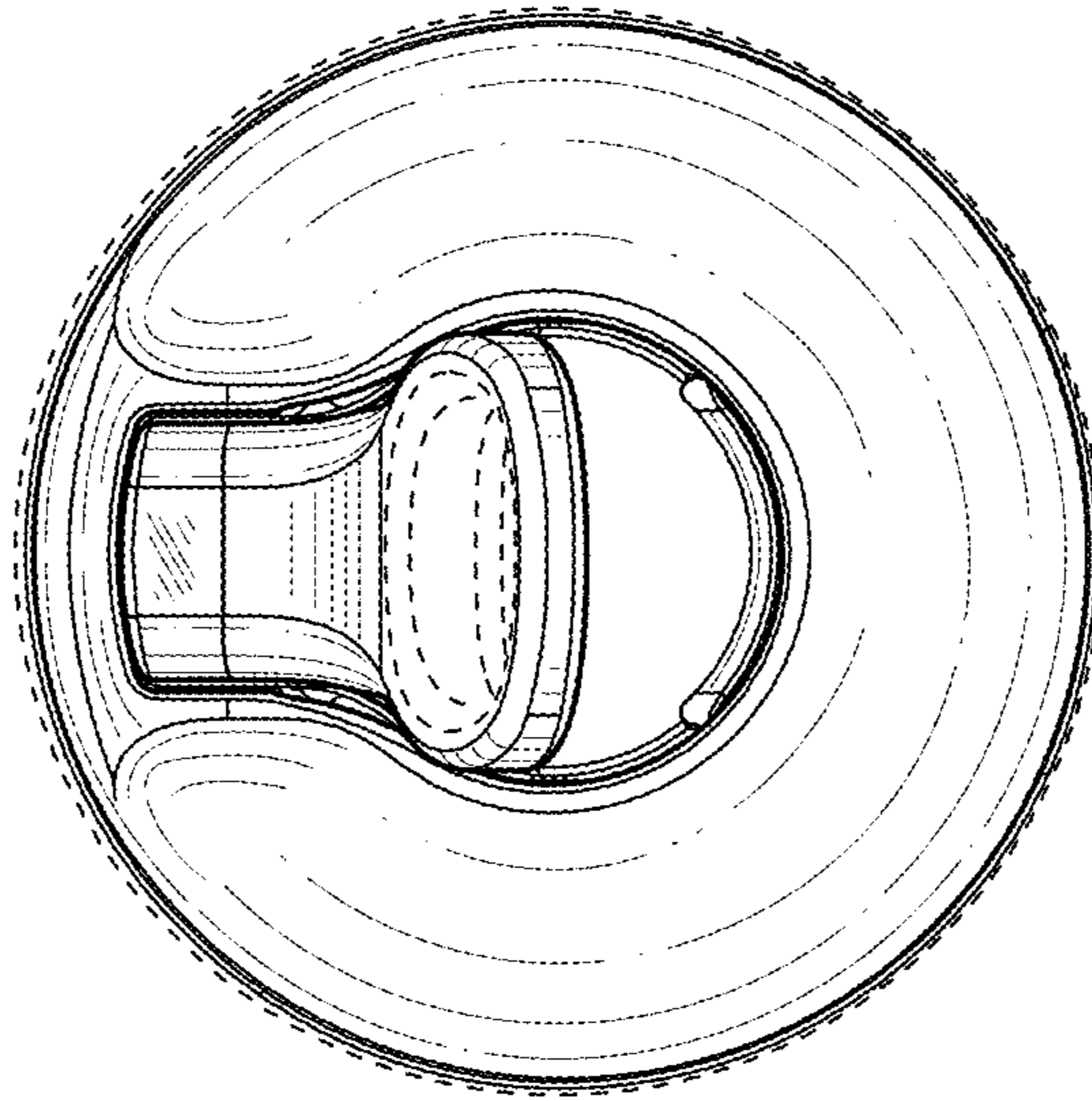
**FIG. 3**



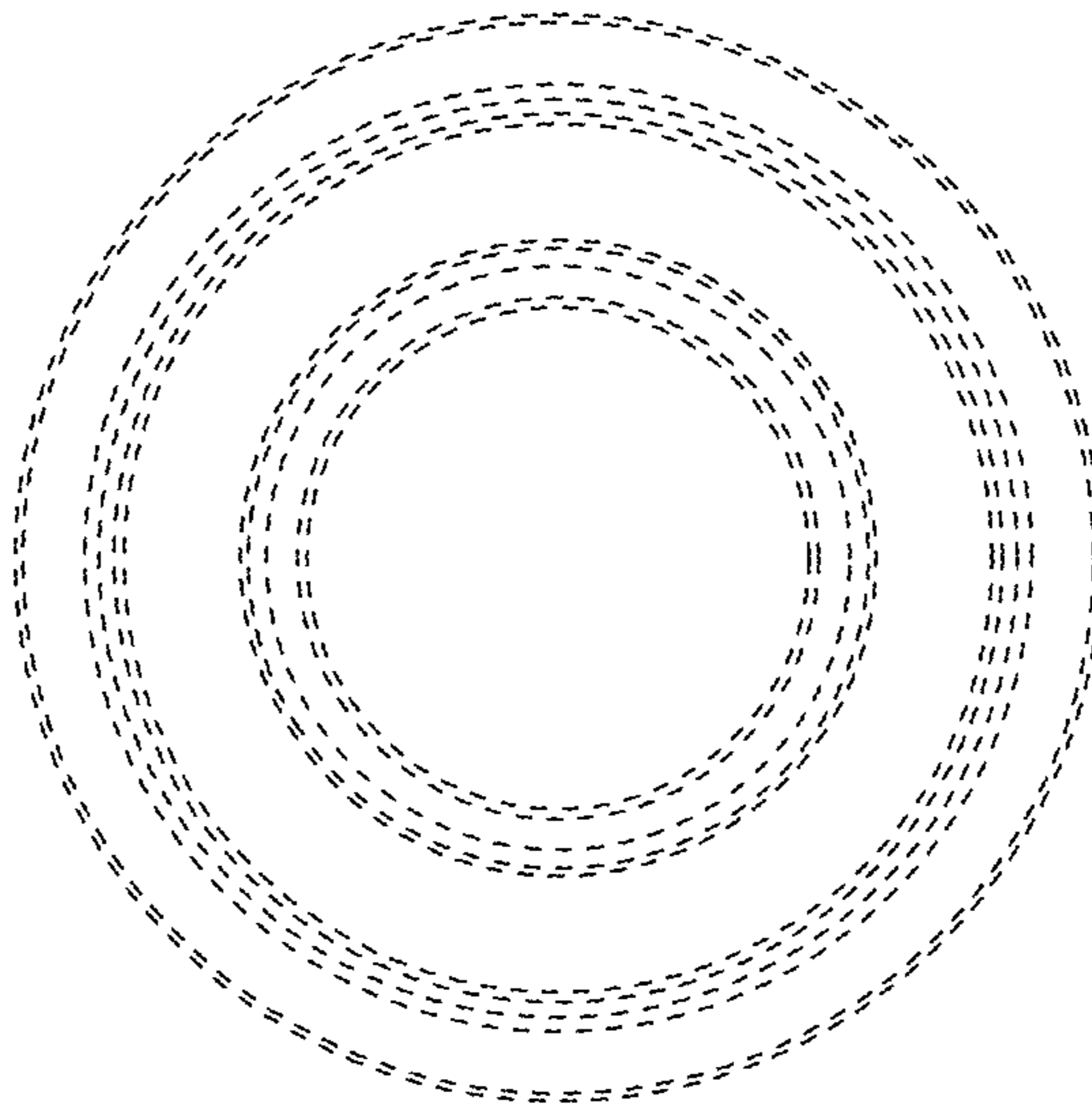
**FIG. 4**



**FIG. 5**

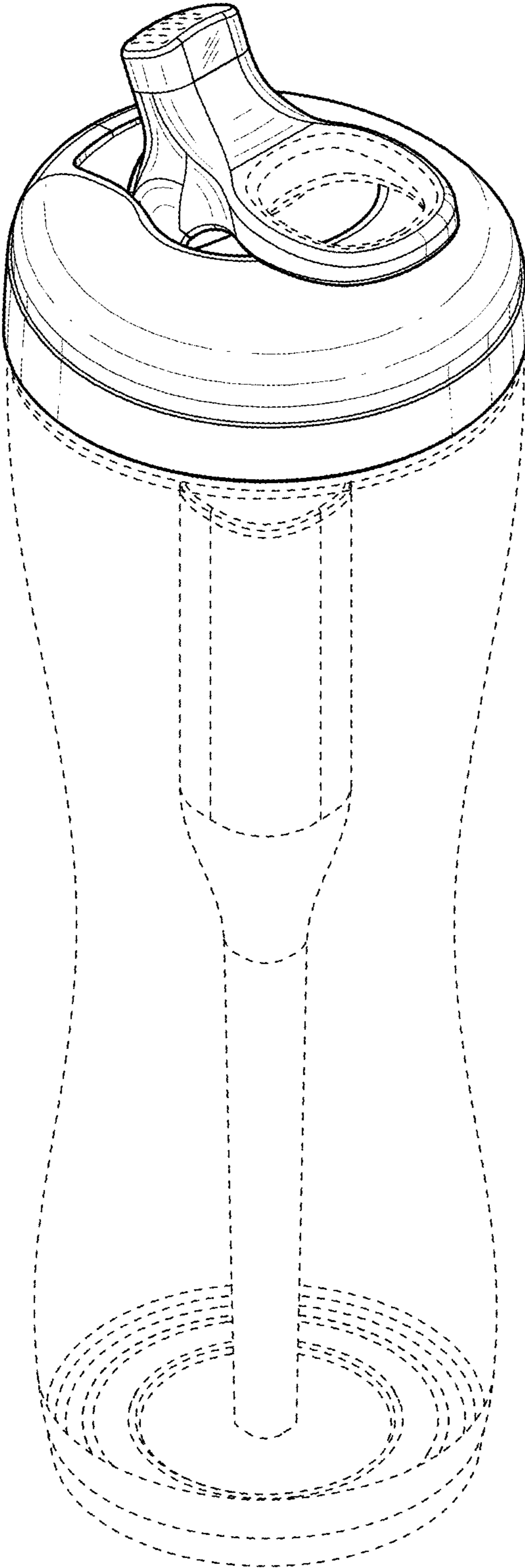


**FIG. 6**

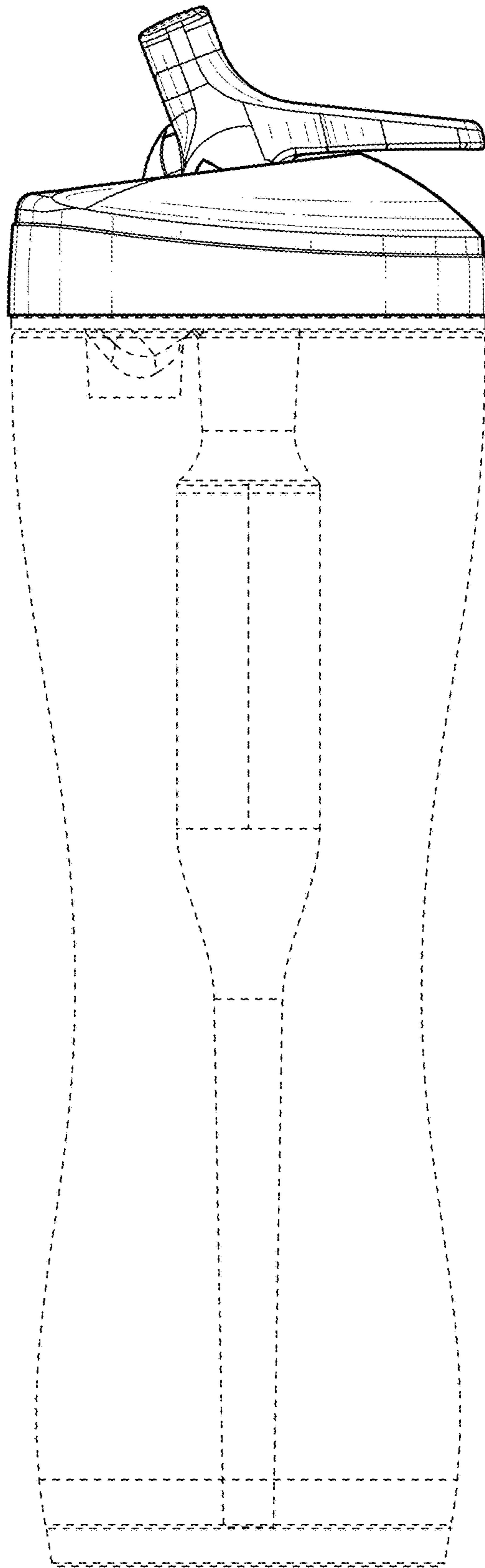


**FIG. 7**

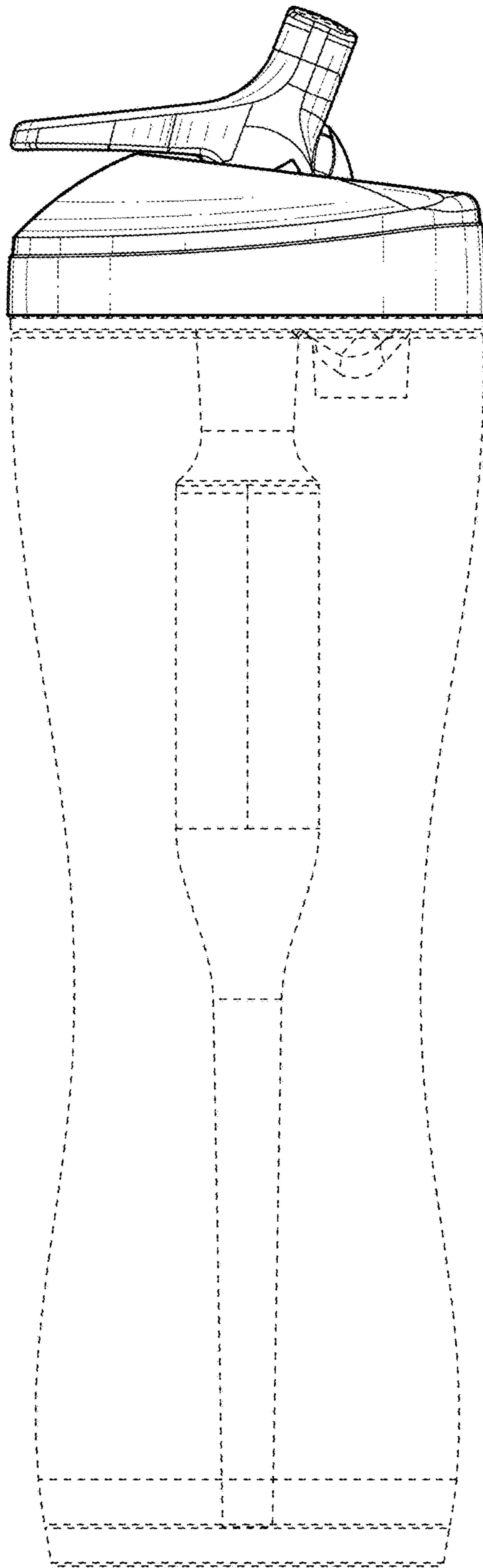




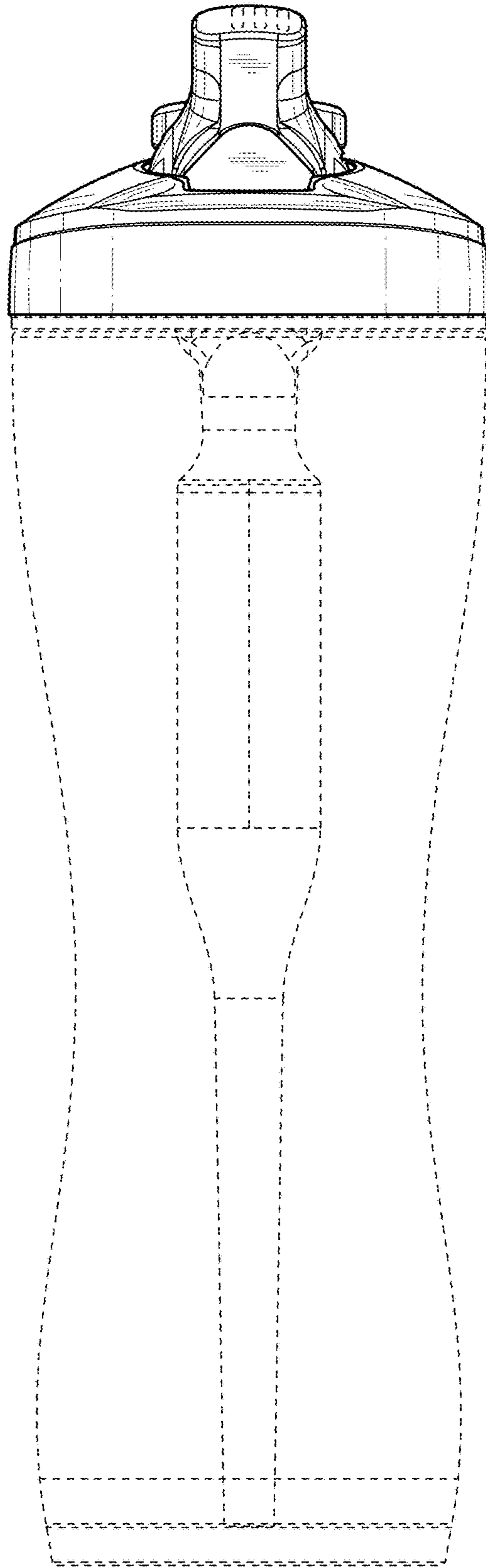
**FIG. 8**



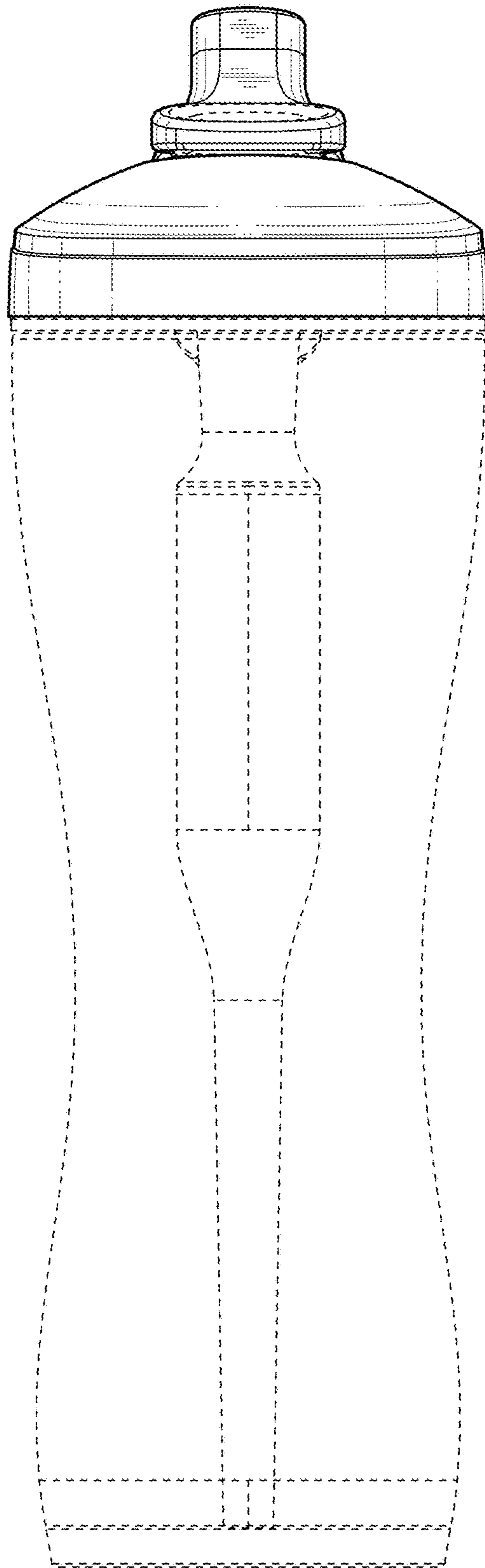
**FIG. 9**



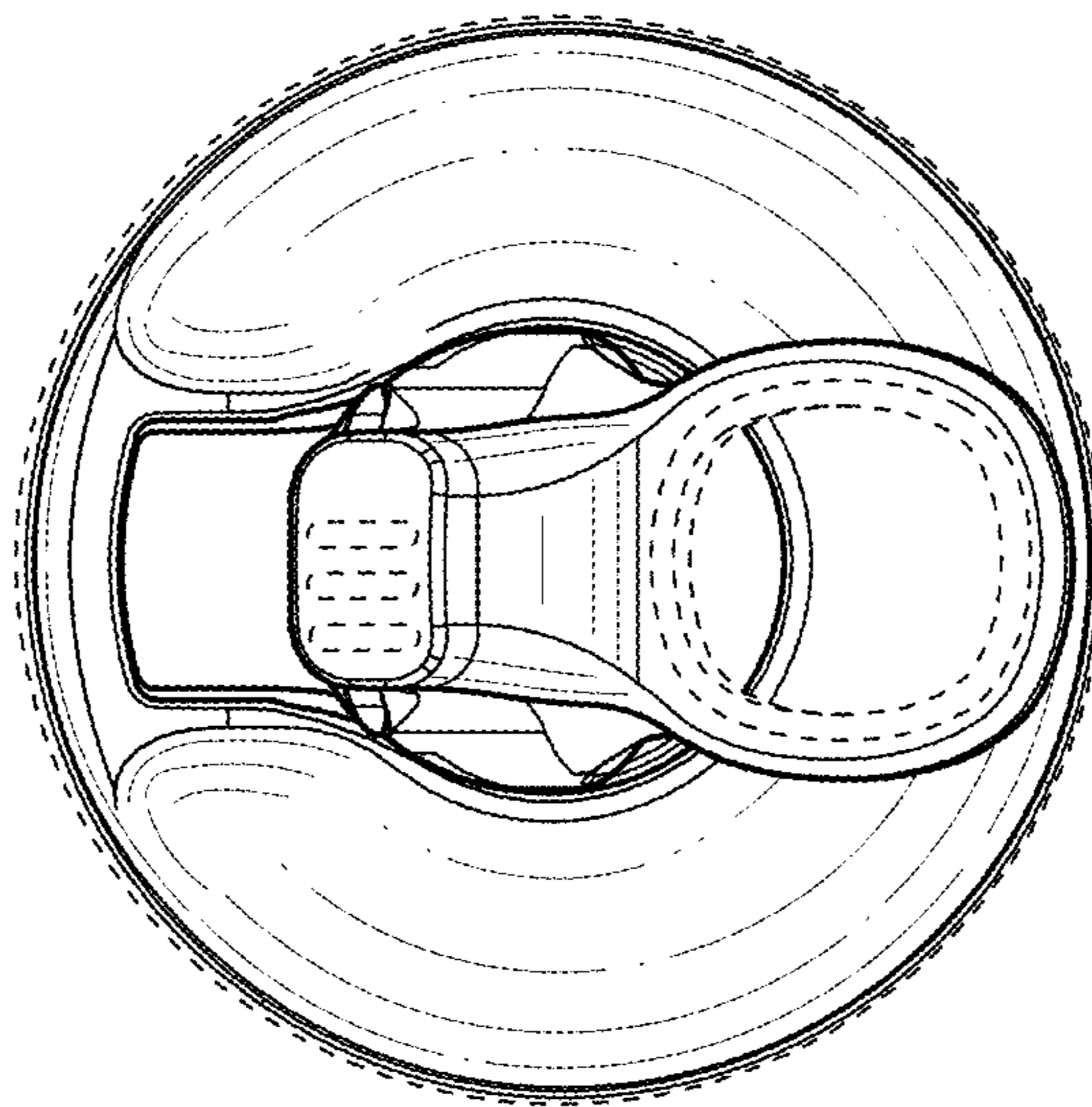
**FIG. 10**



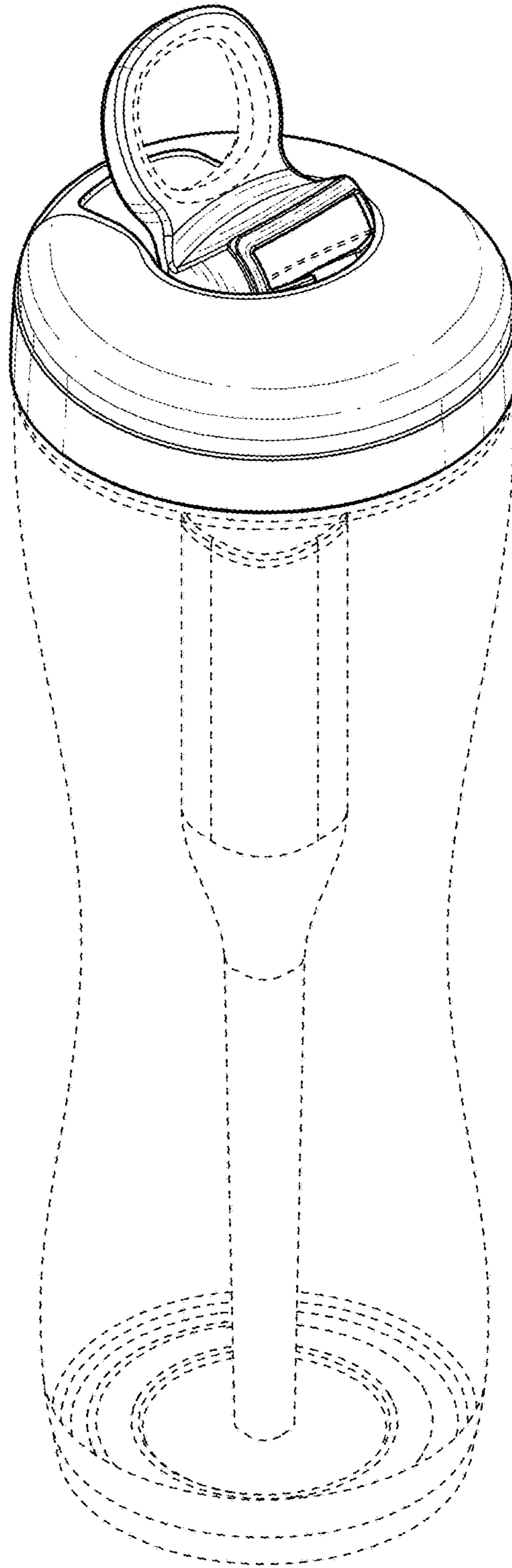
**FIG. 11**



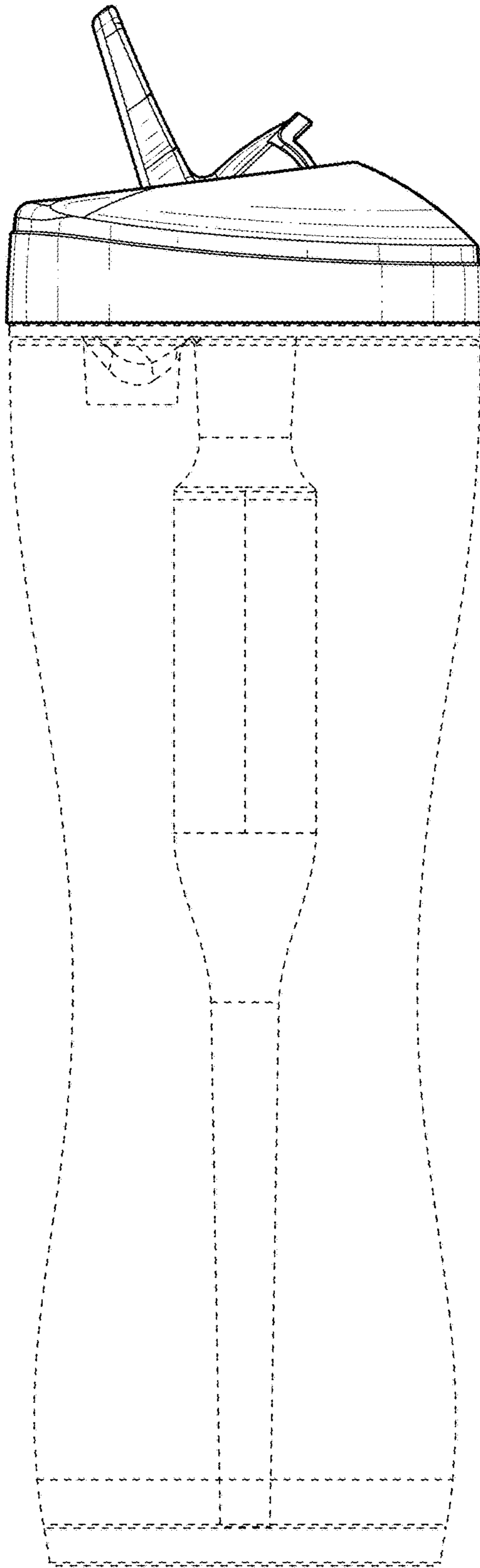
**FIG. 12**



**FIG. 13**

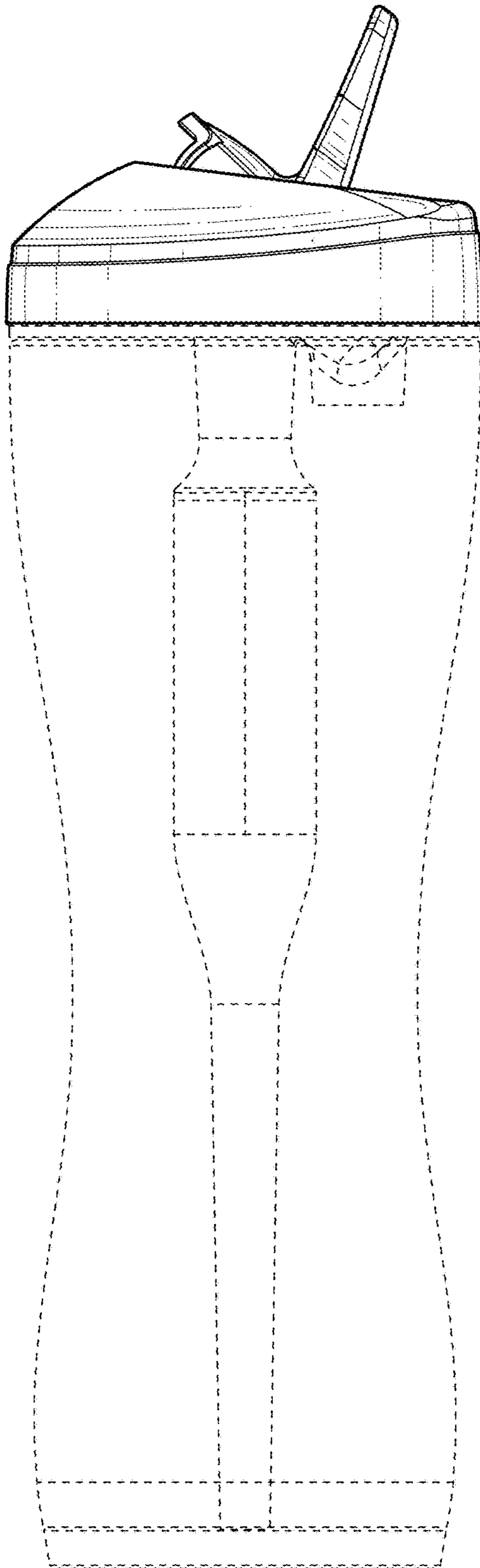


**FIG. 14**

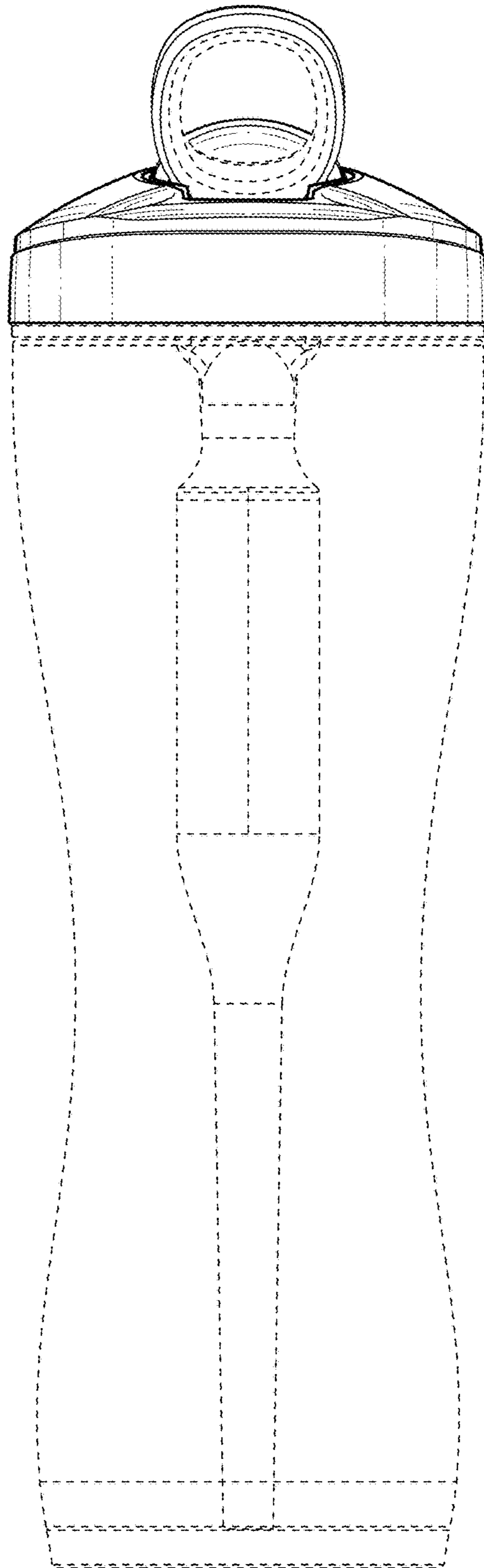


**FIG. 15**

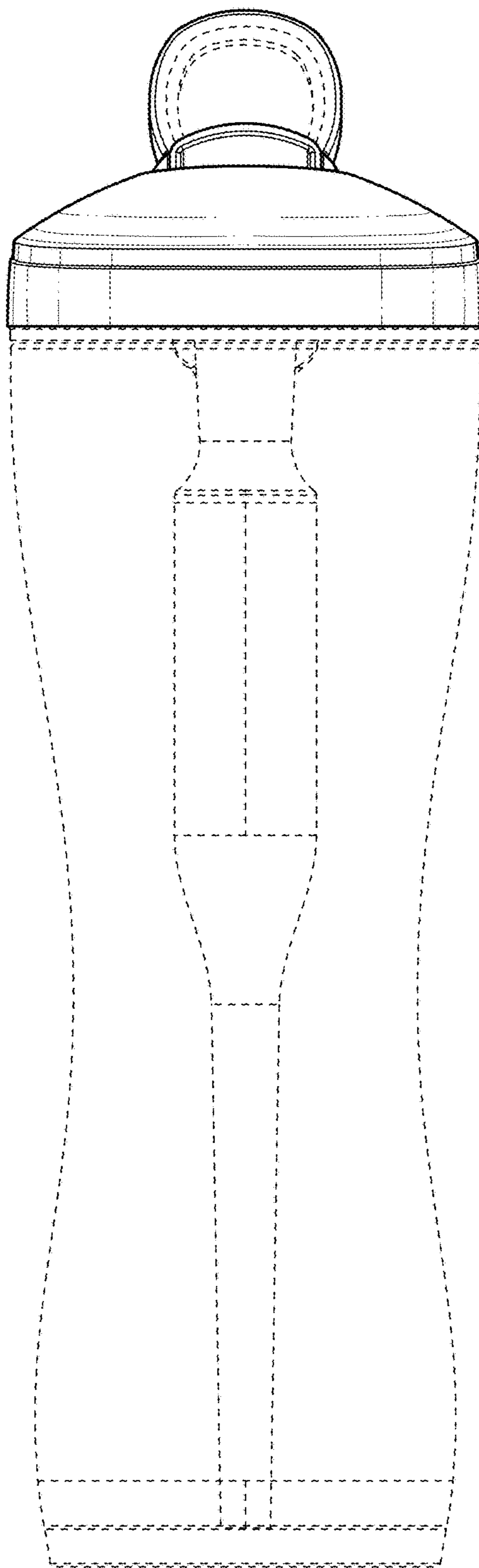




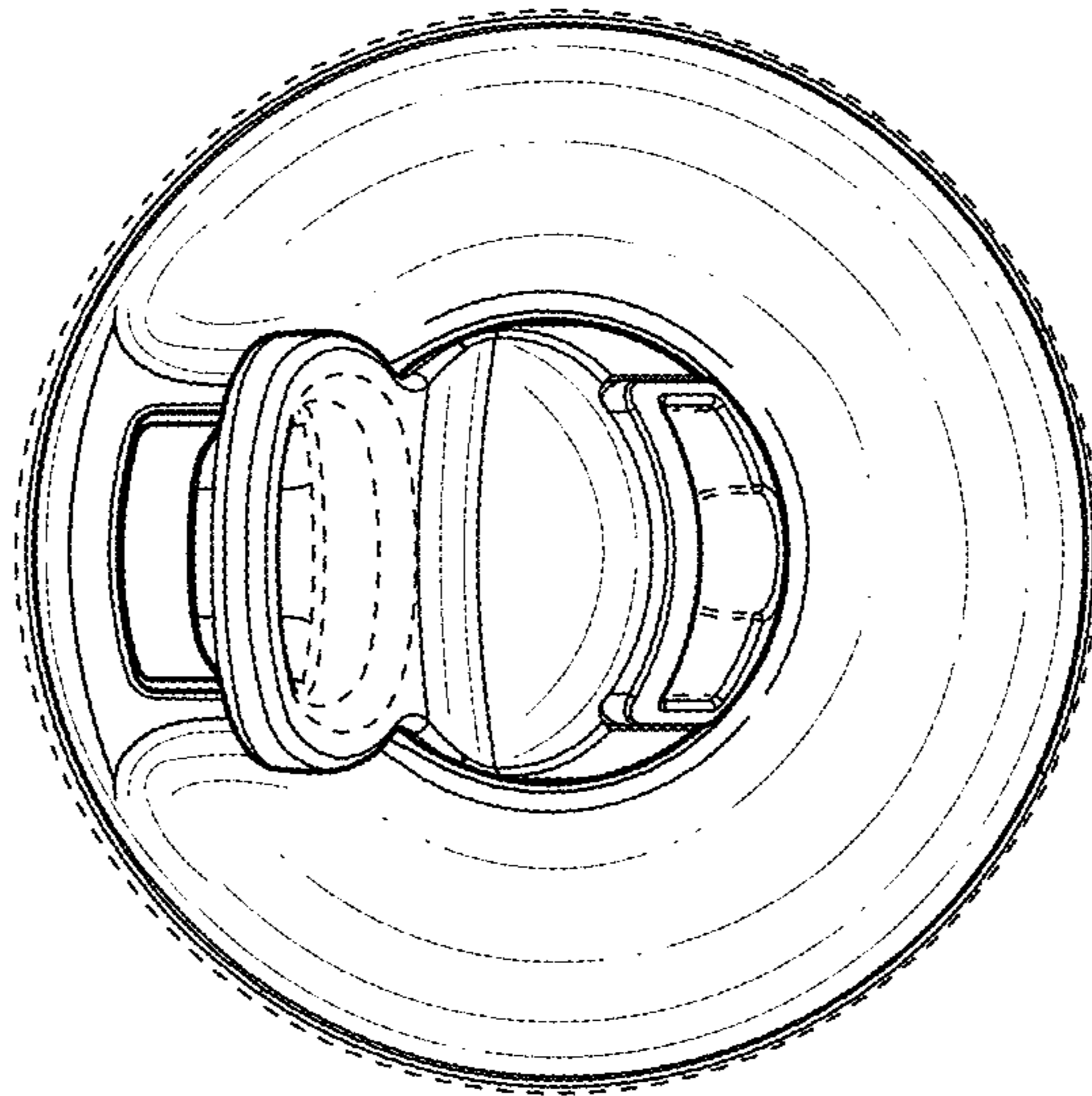
**FIG. 16**



**FIG. 17**



**FIG. 18**



**FIG. 19**