



US00D809855S

(12) **United States Design Patent**  
**Kellam**

(10) **Patent No.:** **US D809,855 S**

(45) **Date of Patent:** **\*\* Feb. 13, 2018**

(54) **PITCHER LID**

(71) Applicant: **ZERO TECHNOLOGIES, LLC**,  
Trevose, PA (US)

(72) Inventor: **Doug Kellam**, Oak Brook, IL (US)

(73) Assignee: **ZERO TECHNOLOGIES, LLC**,  
Trevose, PA (US)

(\*\*) Term: **15 Years**

(21) Appl. No.: **29/530,392**

(22) Filed: **Jun. 16, 2015**

(51) **LOC (11) Cl.** ..... **07-01**

(52) **U.S. Cl.**  
USPC ..... **D7/392**

(58) **Field of Classification Search**  
USPC ..... D7/392, 392.1, 396.1, 397, 398, 400,  
D7/538, 541, 555, 602, 620, 629;  
D9/428, 432, 435, 440, 449, 504, 737,  
D9/761; 220/212, 213, 263, 574, 575,  
220/675, 700, 731, 794, 837; 215/386;  
222/465.1, 475.1

CPC ..... A47J 36/06  
See application file for complete search history.

(56) **References Cited**

**U.S. PATENT DOCUMENTS**

D373,932 S \* 9/1996 Onneweer ..... D7/587  
D386,944 S \* 12/1997 Demore ..... D7/387  
D390,419 S \* 2/1998 Perlmutter ..... D7/549  
D417,360 S \* 12/1999 Bickert ..... D7/392.1  
D433,596 S \* 11/2000 Price ..... D7/392.1  
D437,027 S \* 1/2001 Flagler ..... D7/400  
D450,531 S \* 11/2001 McGrath ..... D7/392  
D459,941 S \* 7/2002 Miller ..... D23/207  
D520,597 S \* 5/2006 Witte ..... D7/319  
D535,854 S \* 1/2007 Schreitmueller ..... D7/393

D546,113 S \* 7/2007 Ruoff ..... D7/319  
D680,789 S \* 4/2013 Bell ..... D7/317  
2005/0258197 A1\* 11/2005 Rukavina ..... A23G 9/045  
222/465.1

**OTHER PUBLICATIONS**

“ZeroWater 8-Cup Water Filtration Pitcher”. Found online Apr. 5, 2016 at amazon.com. Page dated Feb. 5, 2012. Retrieved from <http://www.amazon.com/ZeroWater-8-Cup-Water-Filtration-Pitcher/dp/B0075WAY20>.\*

(Continued)

*Primary Examiner* — Robert M. Spear

*Assistant Examiner* — Kendra Leslie Hamilton

(74) *Attorney, Agent, or Firm* — J.A. Lindeman & Co., PLLC

(57) **CLAIM**

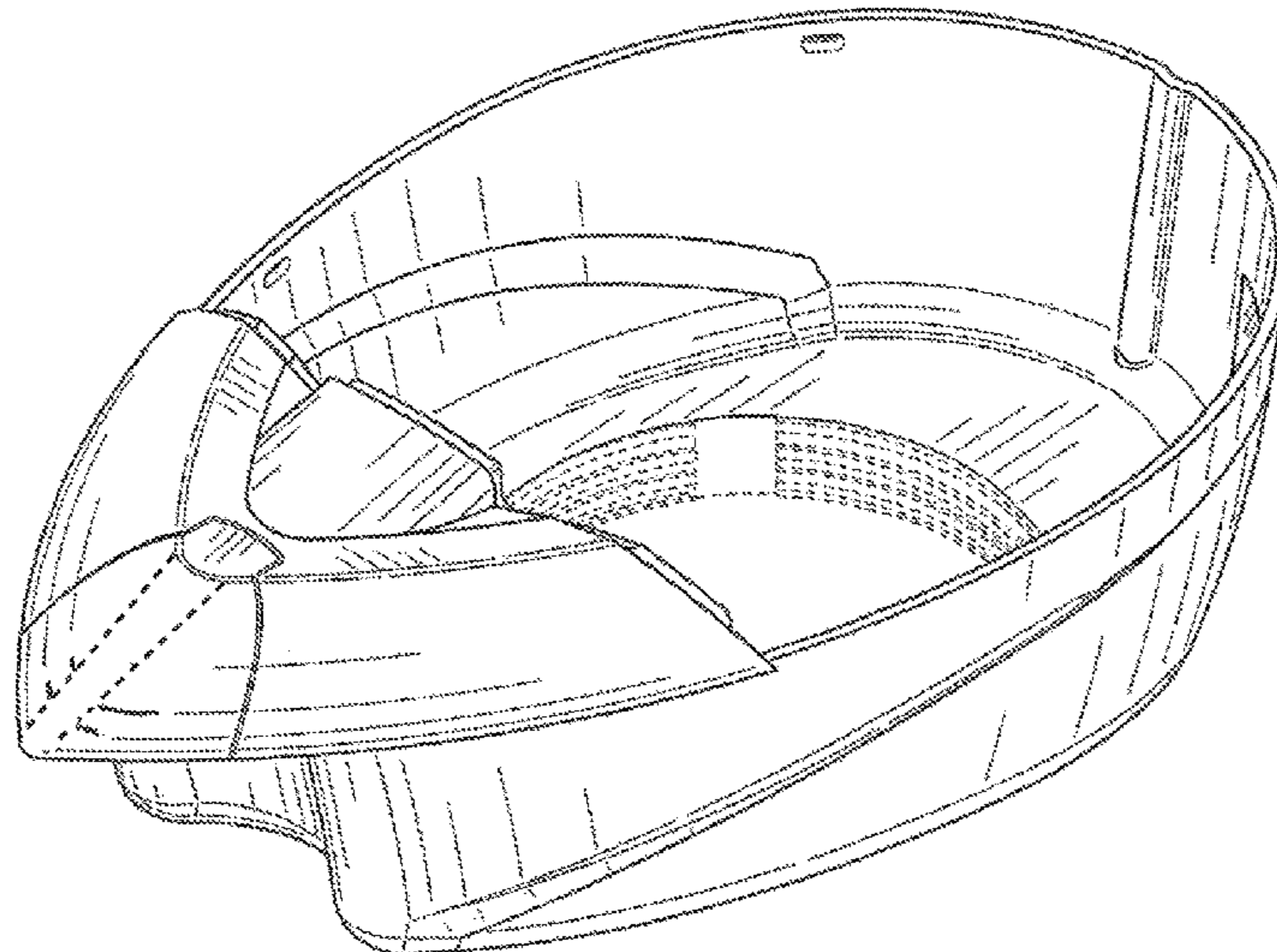
The ornamental design for a pitcher lid, as shown and described.

**DESCRIPTION**

FIG. 1 is a front and right side perspective view of a pitcher lid in accordance with my new design;  
FIG. 2 is a front view of the pitcher lid of FIG. 1;  
FIG. 3 is a rear view of the pitcher lid of FIG. 1;  
FIG. 4 is a left side view of the pitcher lid of FIG. 1;  
FIG. 5 is a right side view of the pitcher lid of FIG. 1;  
FIG. 6 is a top view of the pitcher lid of FIG. 1;  
FIG. 7 is a bottom view of the pitcher lid of FIG. 1;  
FIG. 8 is an assembled right side perspective view thereof, shown in condition of use; and,  
FIG. 9 is an exploded right side perspective view with disclaimed rear lid and pitcher shown separated from the claimed lid.

The features shown in broken lines in the drawings represent unclaimed environmental subject matter and form no part of the claimed design.

**1 Claim, 7 Drawing Sheets**



(56)

**References Cited**

OTHER PUBLICATIONS

“ZeroWater 8 Cup Pitcher”. Found online Apr. 5, 2016 at acehardware.com. Page dated Jul. 3, 2013. Retrieved from <http://www.acehardware.com/product/index.jsp?productId=18988646>.\*

“ZeroWater 8 Cup Water Filtration Pitcher”. Found online Apr. 5, 2016 at amazon.co.uk. Page dated Mar. 25, 2015. Retrieved from <http://www.amazon.co.uk/ZeroWater-ZS-008-Water-Filtration-Stainless/dp/B00V6JBQL6>.\*

“ZeroWater 10-Cup Pitcher”. Found online Apr. 5, 2016 at amazon.com. Page dated Jan. 16, 2012. Retrieved from <http://www.amazon.com/ZeroWater-ZP-010-10-Cup-Pitcher/dp/B0073PZ6O0>.\*

\* cited by examiner

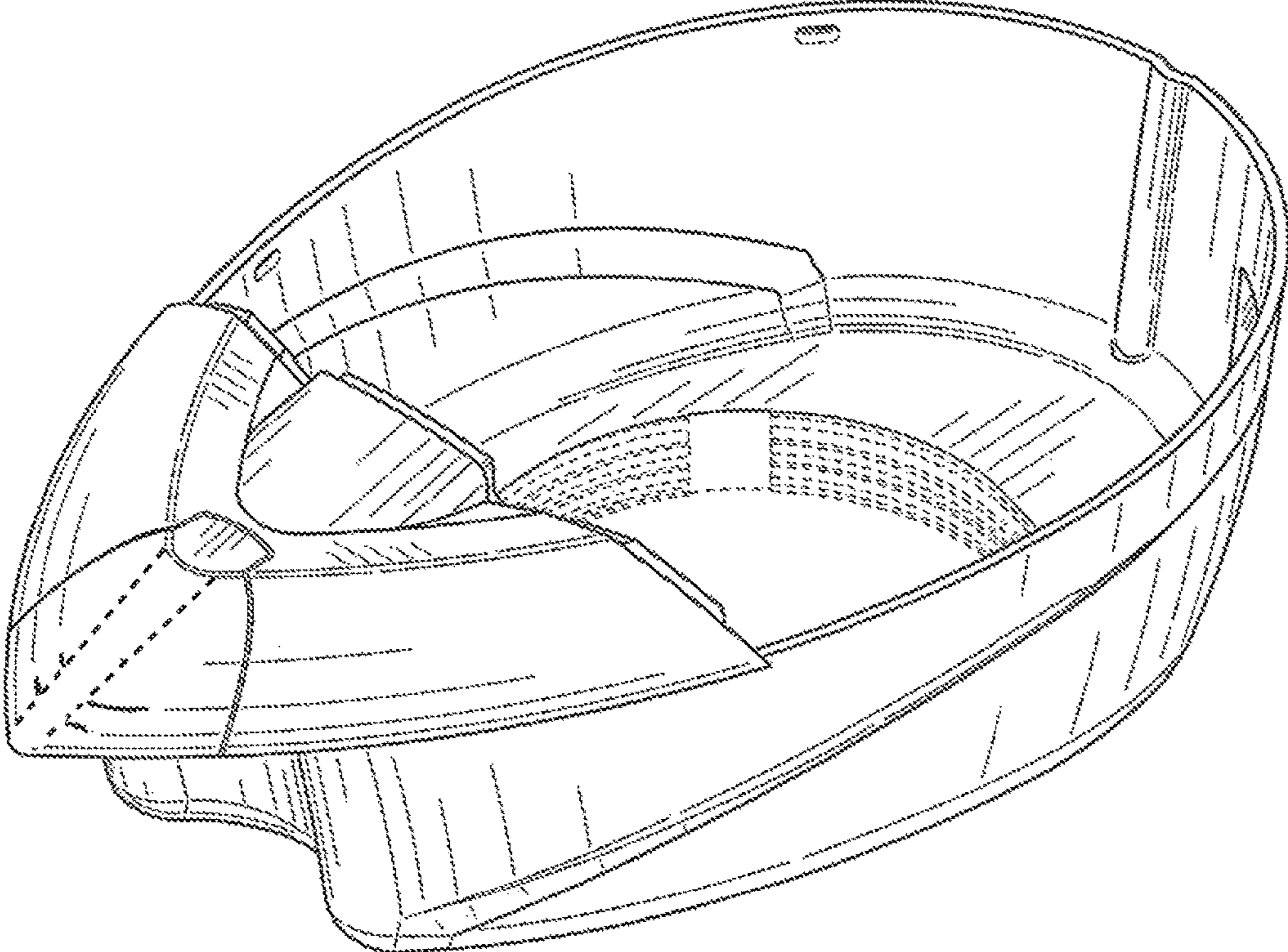


FIG. 1

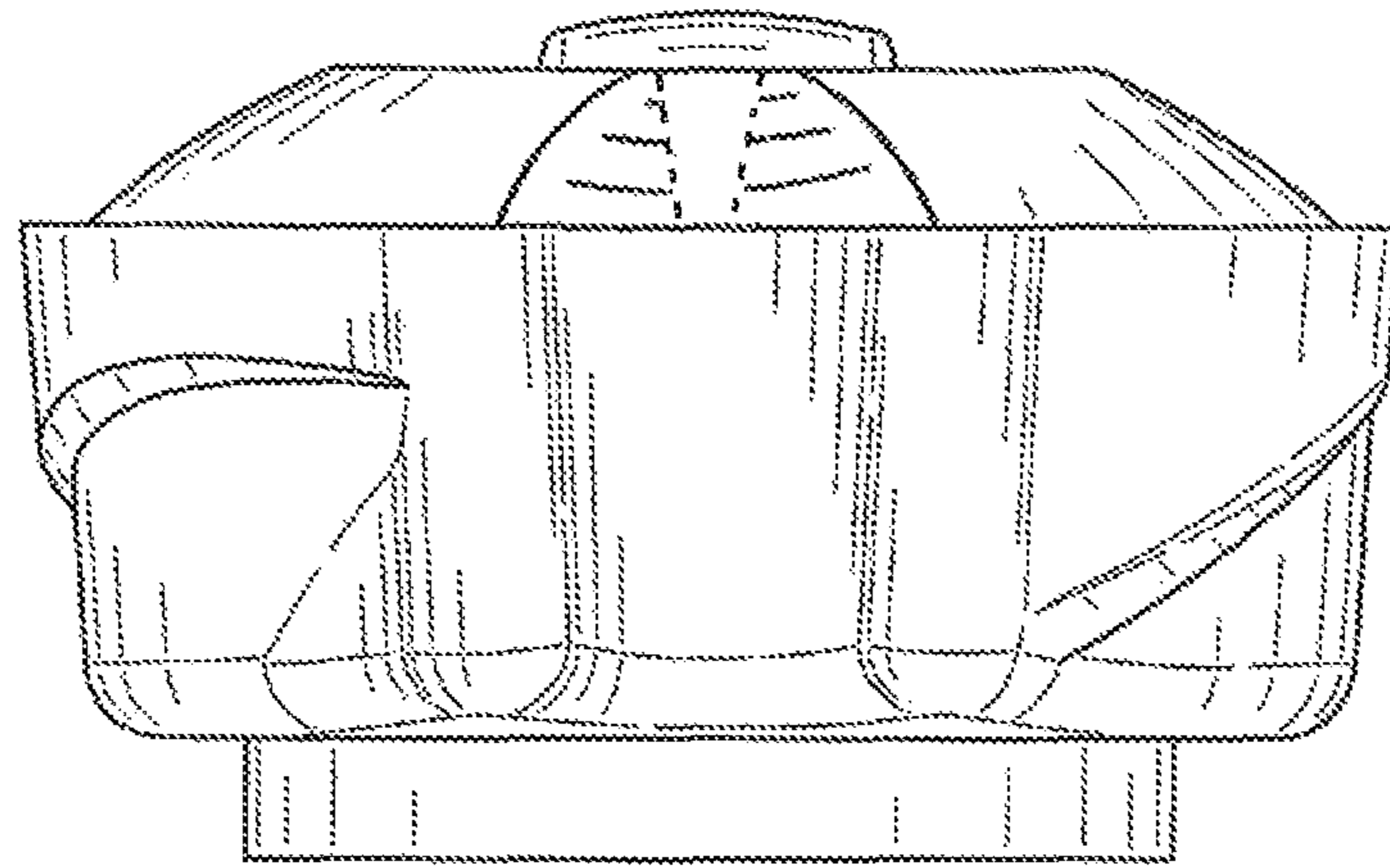


FIG. 2

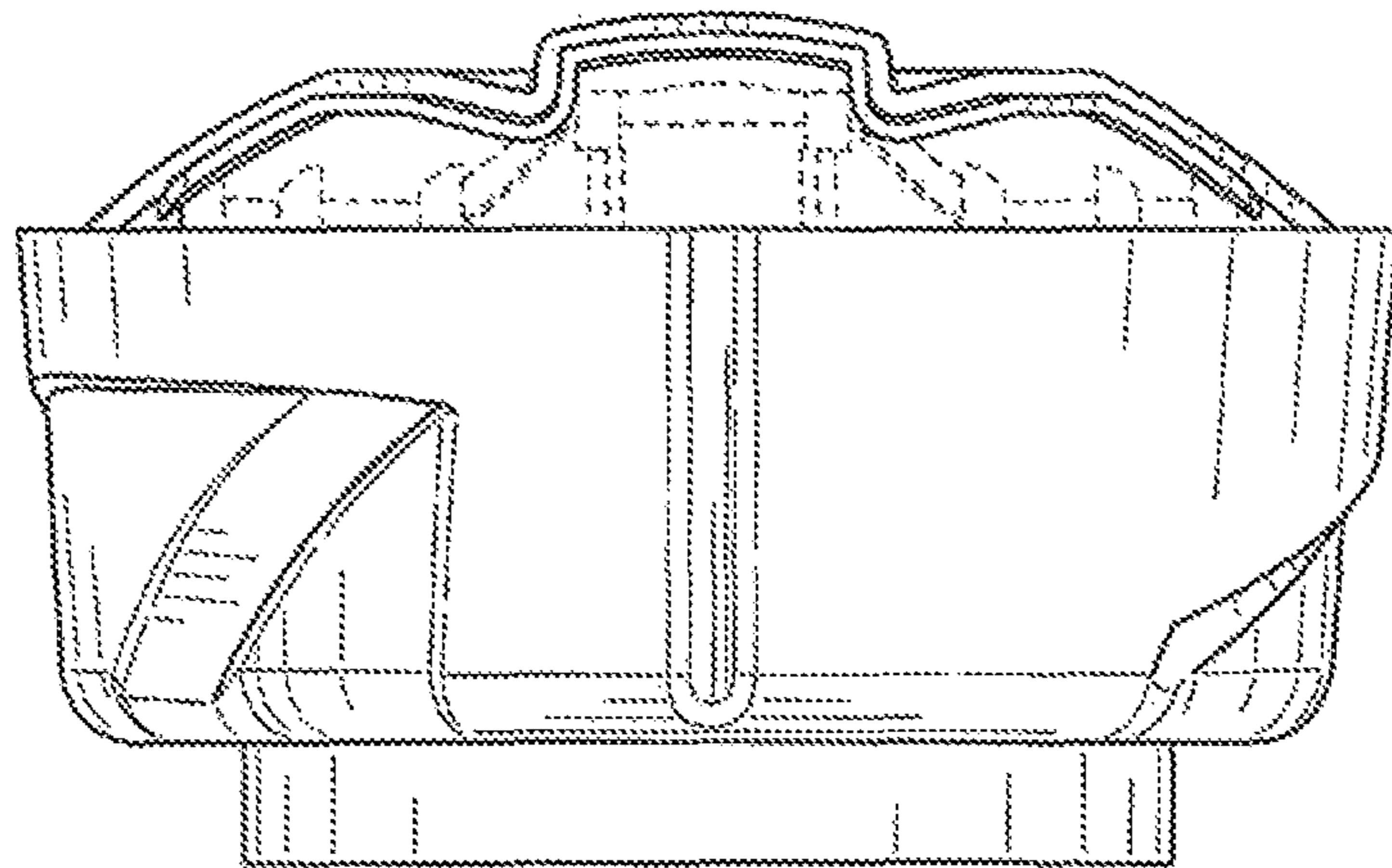


FIG. 3

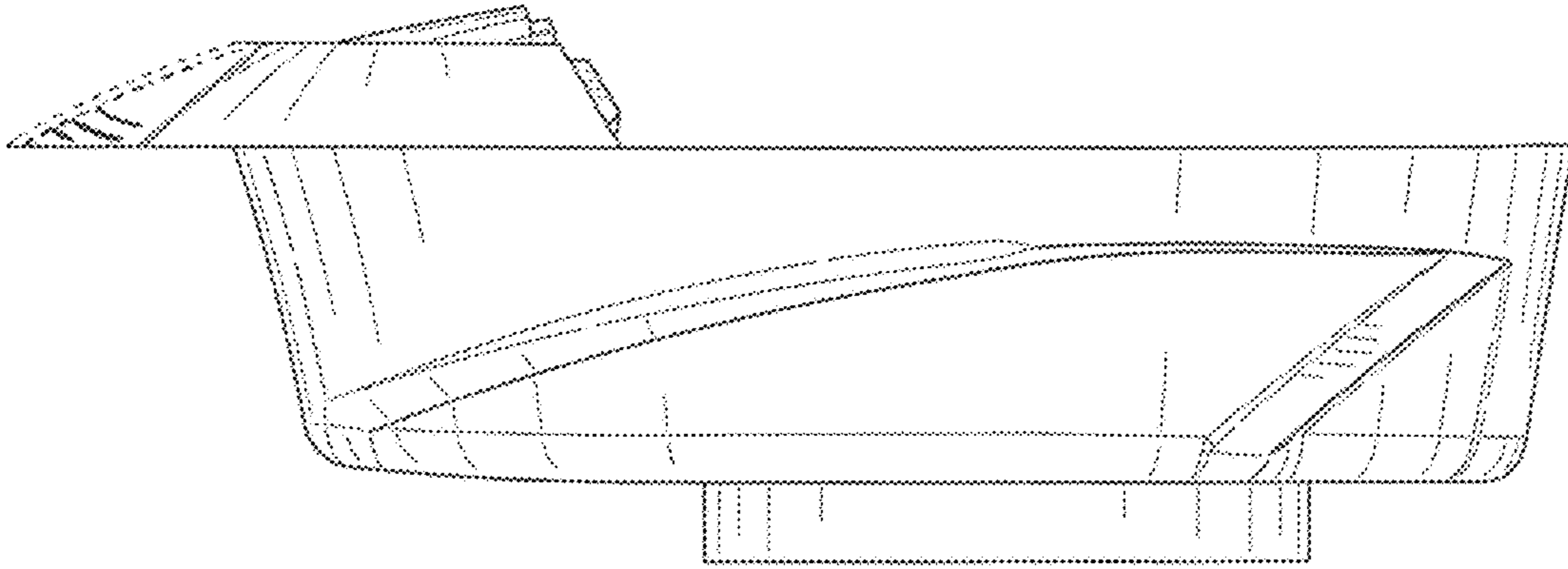


FIG. 4

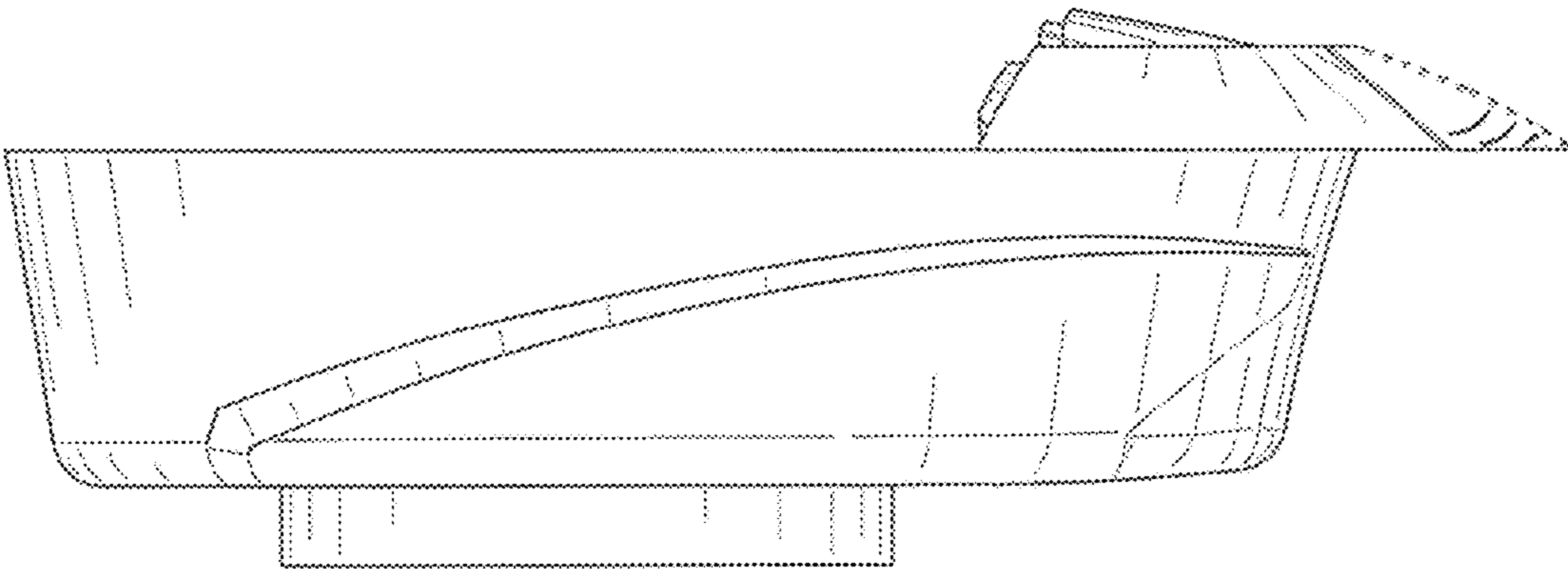


FIG. 5

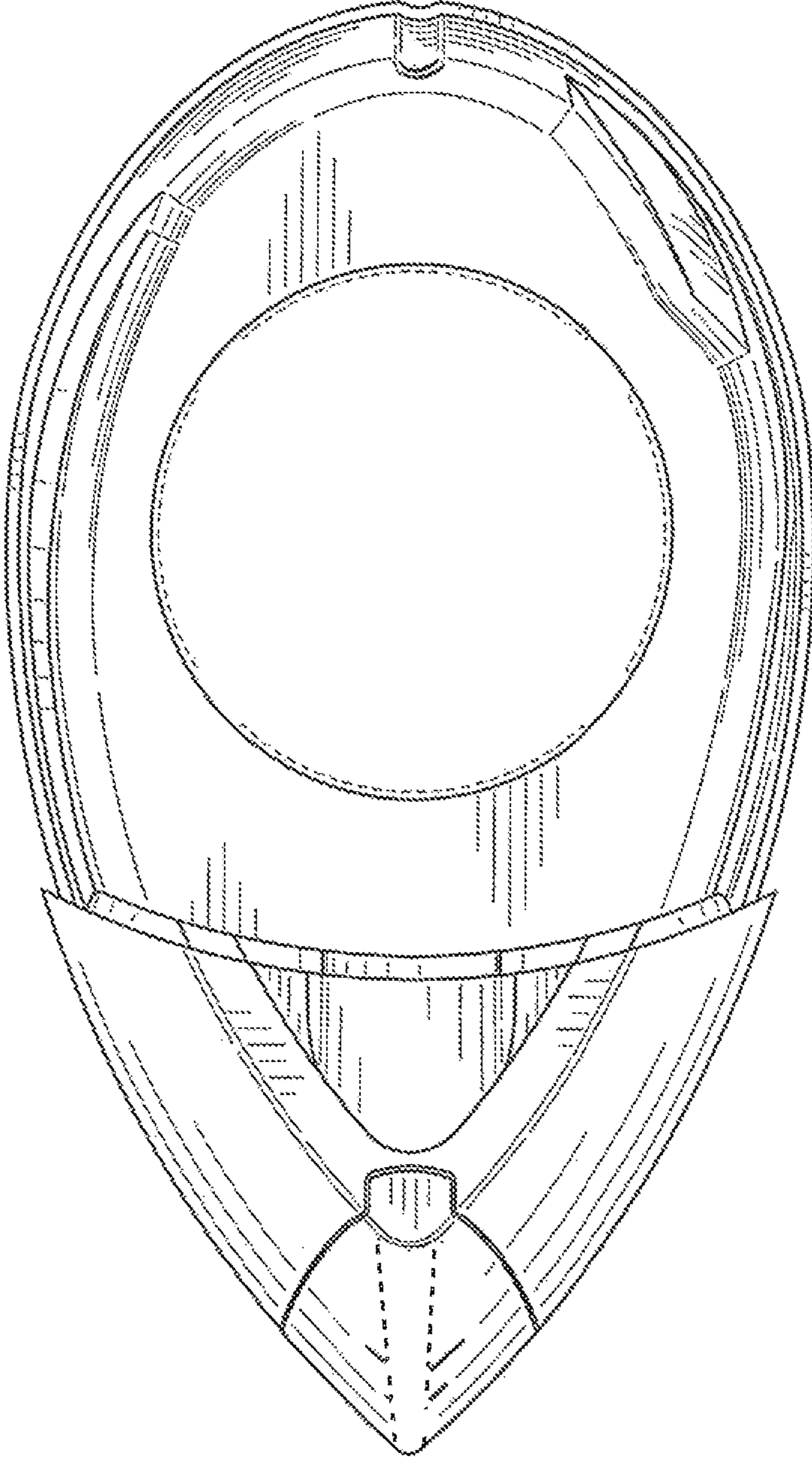


FIG. 6

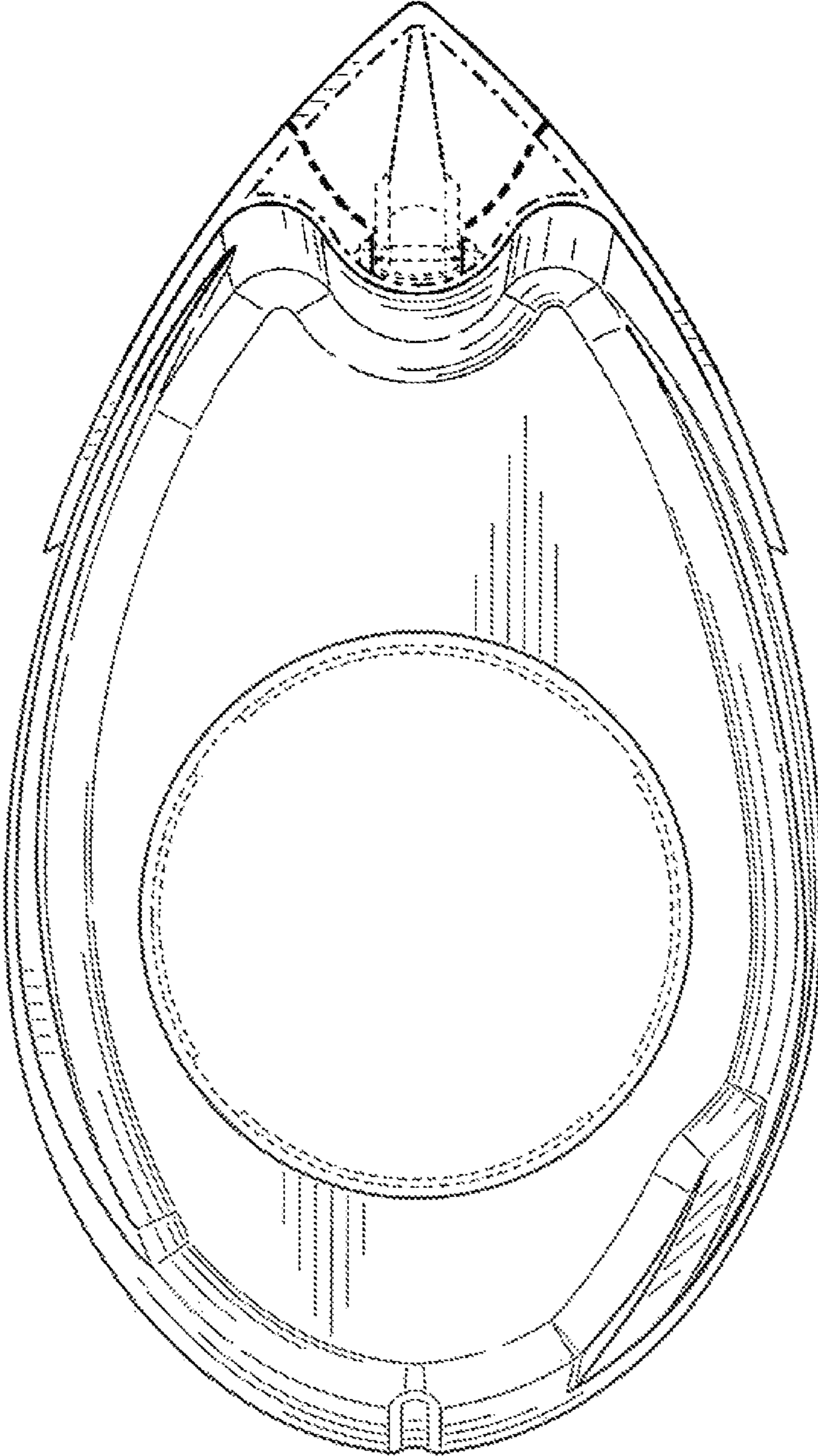


FIG. 7

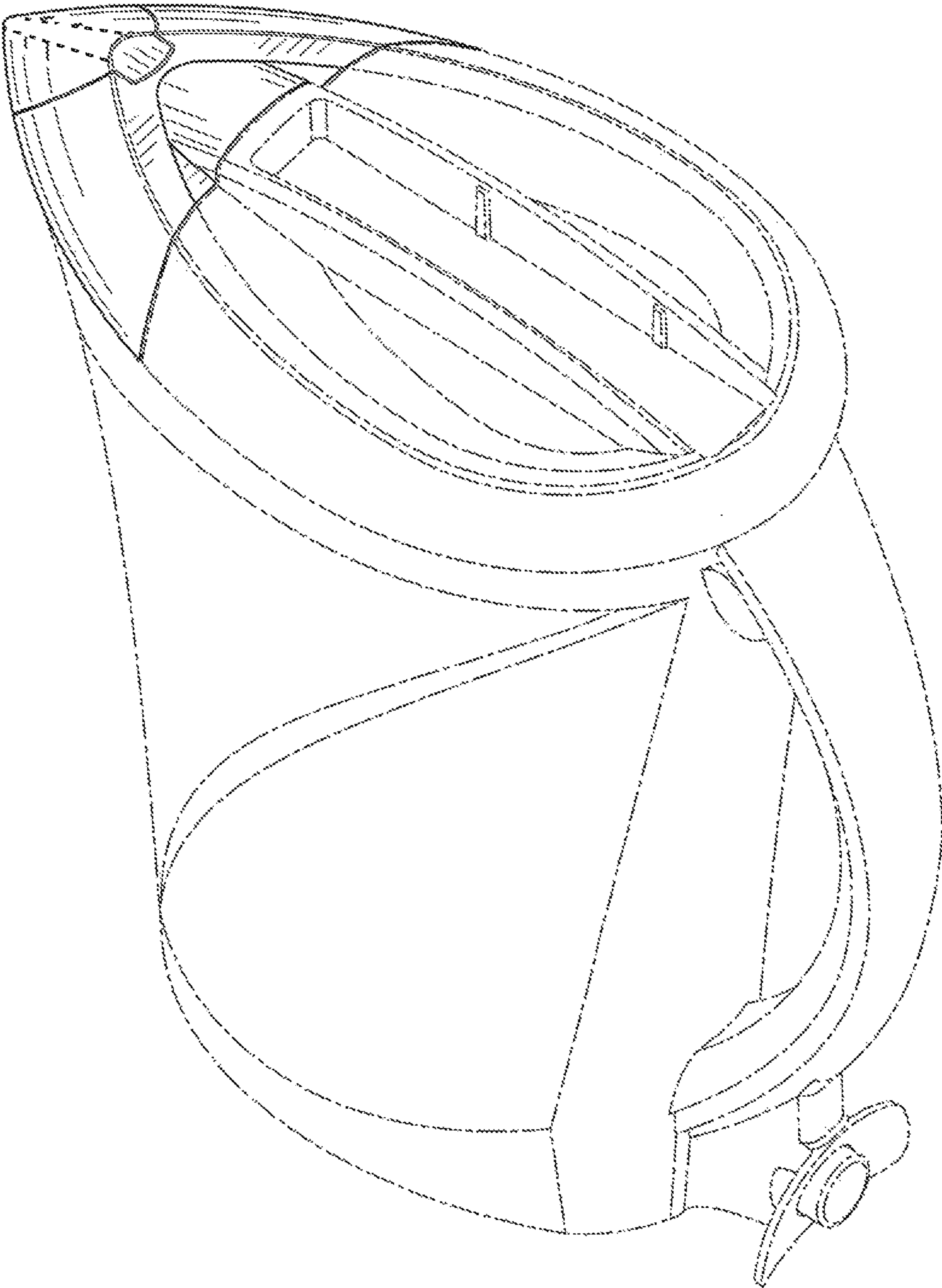


FIG. 8



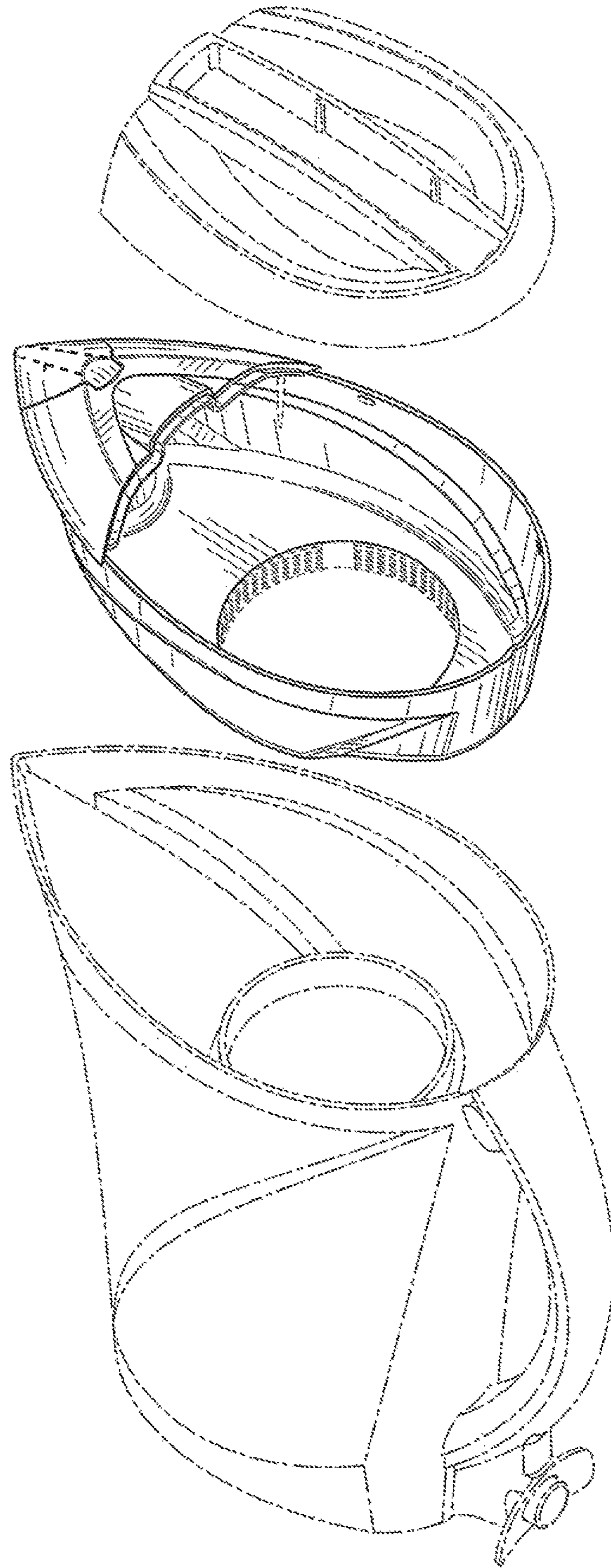


FIG. 9