



US00D809854S

(12) **United States Design Patent**
Shin

(10) **Patent No.:** **US D809,854 S**
(45) **Date of Patent:** **** Feb. 13, 2018**

(54) **POT LID**
(71) Applicant: **Jung Ho Shin**, Seoul (KR)
(72) Inventor: **Jung Ho Shin**, Seoul (KR)
(**) Term: **15 Years**
(21) Appl. No.: **35/500,967**
(22) Filed: **Nov. 16, 2015**

D375,225 S * 11/1996 Cousins D7/391
D385,152 S * 10/1997 Rae D7/391
5,771,783 A * 6/1998 Uss A47J 27/212
16/433
D450,219 S * 11/2001 Smith D7/538
D463,206 S * 9/2002 Rae D7/391
D477,178 S * 7/2003 Cornfield D7/391
D495,196 S * 8/2004 Howell D7/361
D498,639 S * 11/2004 Brasset D7/360
D577,249 S * 9/2008 Currie D7/354
D615,807 S * 5/2010 Creel D7/354
2014/0014657 A1 * 1/2014 Oh A47J 27/56
220/233

(80) **Hague Agreement Data**
Int. Filing Date: **Nov. 16, 2015**
Int. Reg. No.: **DM/089762**
Int. Reg. Date: **Nov. 16, 2015**
Int. Reg. Pub. Date: **May 20, 2016**

* cited by examiner

Primary Examiner — Sheryl Lane
Assistant Examiner — Nicole Shiflet
(74) *Attorney, Agent, or Firm* — Rabin & Berdo, P.C.

(30) **Foreign Application Priority Data**
Jun. 2, 2015 (KR) 30-2015-0027734

(57) **CLAIM**

The ornamental design for a pot lid, as shown and described.

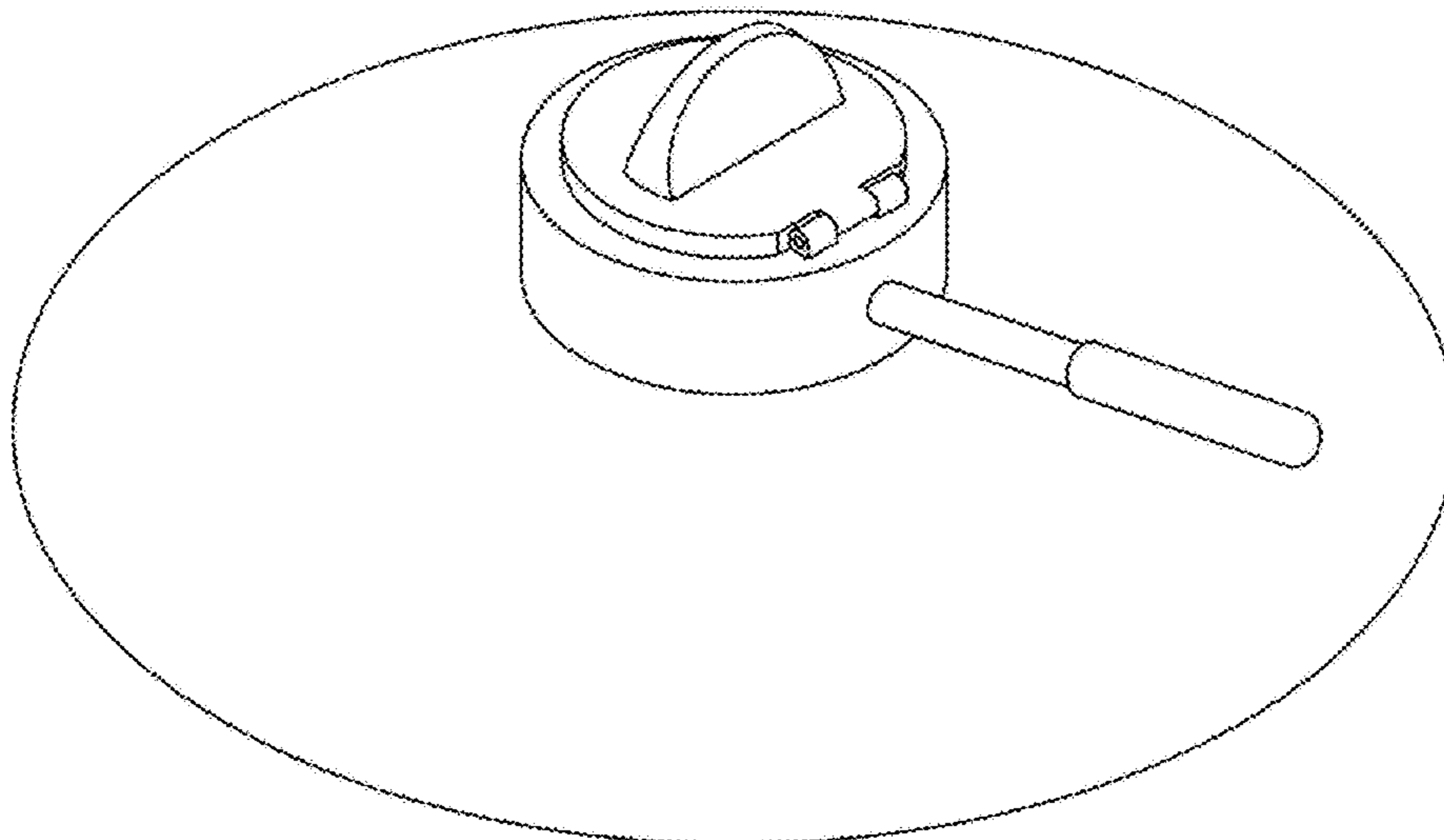
(51) **LOC (11) Cl.** **07-99**
(52) **U.S. Cl.**
USPC **D7/391**
(58) **Field of Classification Search**
USPC D7/391, 392, 392.1, 393, 353-361, 378,
D7/538-545, 554.2, 629, 397, 398, 401.1;
D9/435, 444, 445, 447, 449, 454
CPC . A47J 36/06; A47J 36/12; A47J 27/00; A47G
23/04; A47G 19/127
See application file for complete search history.

DESCRIPTION

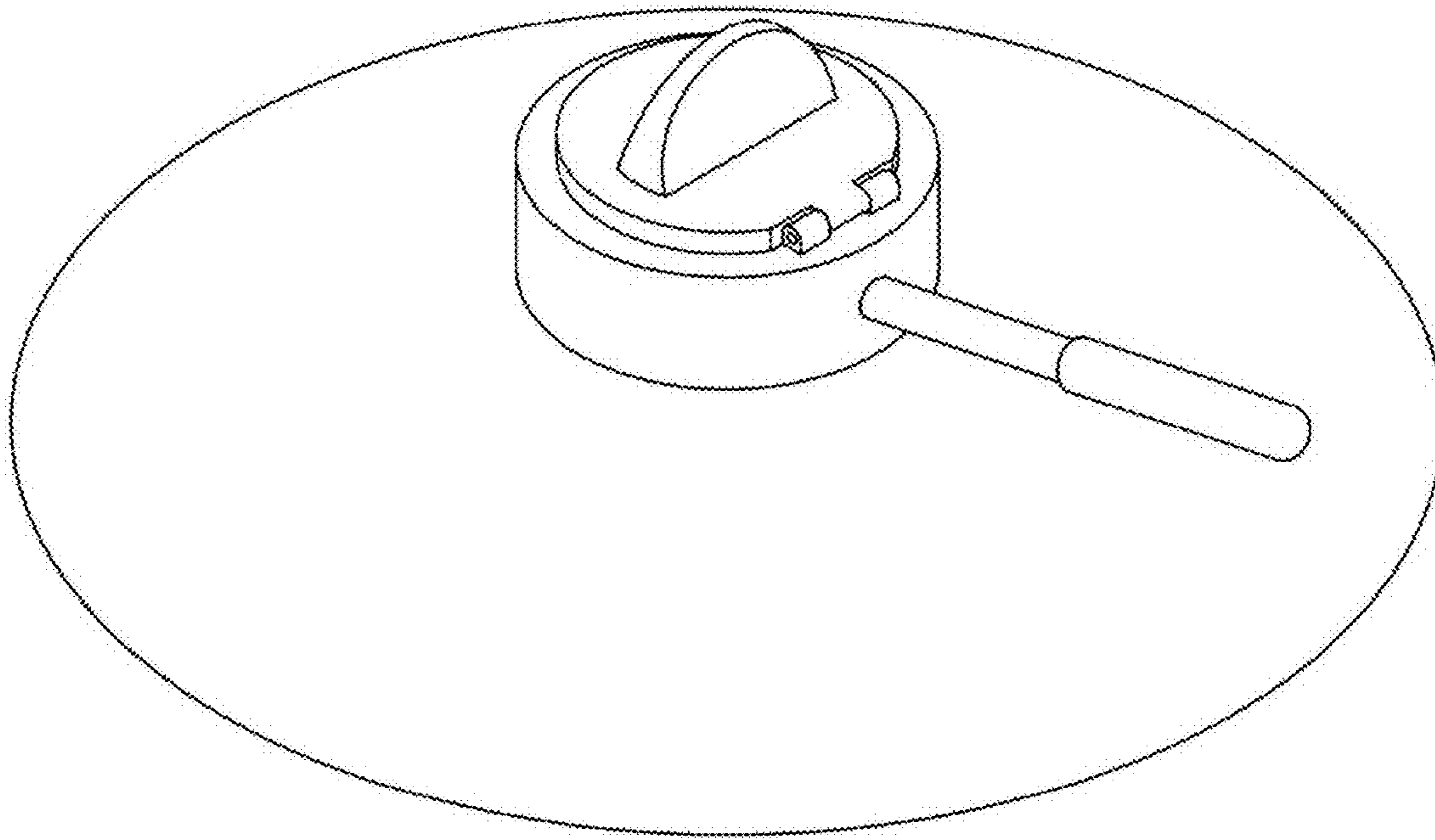
1.1 : Perspective
1.2 : Front
1.3 : Back
1.4 : Left
1.5 : Right
1.6 : Top
1.7 : Bottom
1.8 : Cross-sectional as taken from the center of the front in
1.2
1.9 : Perspective shown in an open position
1.10 : Perspective as shown in **1.1** in an example environ-
ment
The broken lines in **1.10** showing environmental subject
matter form no part of the claimed design.

(56) **References Cited**
U.S. PATENT DOCUMENTS
D160,647 S * 10/1950 Muller-Munk D7/391
D258,407 S * 3/1981 Newman D7/354

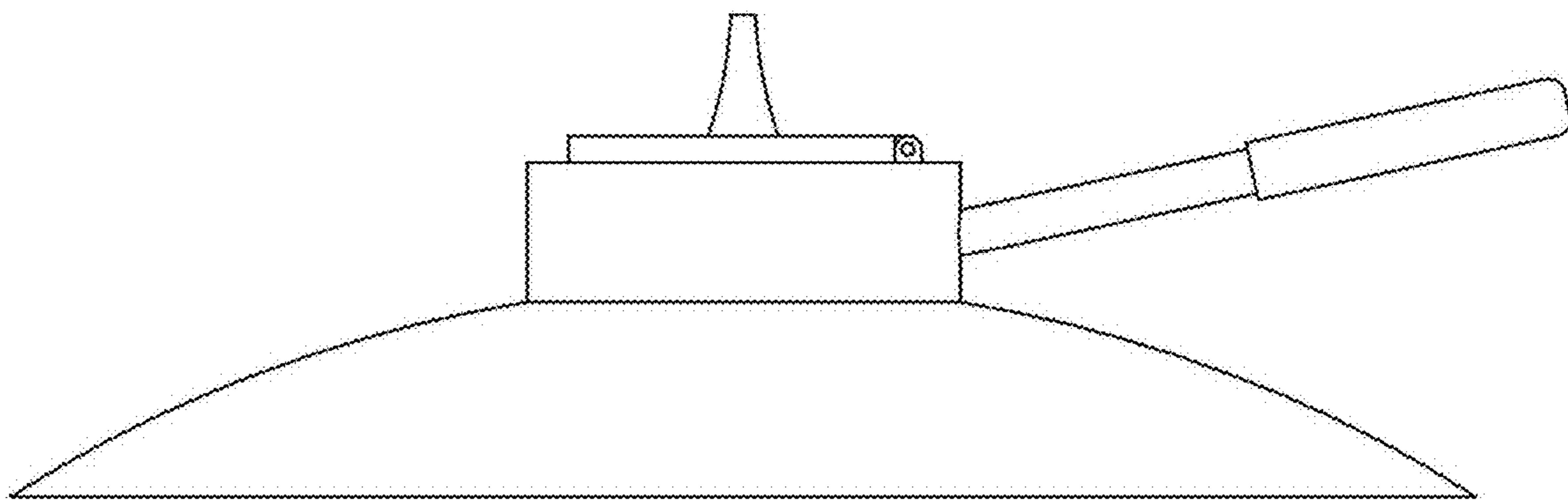
1 Claim, 10 Drawing Sheets



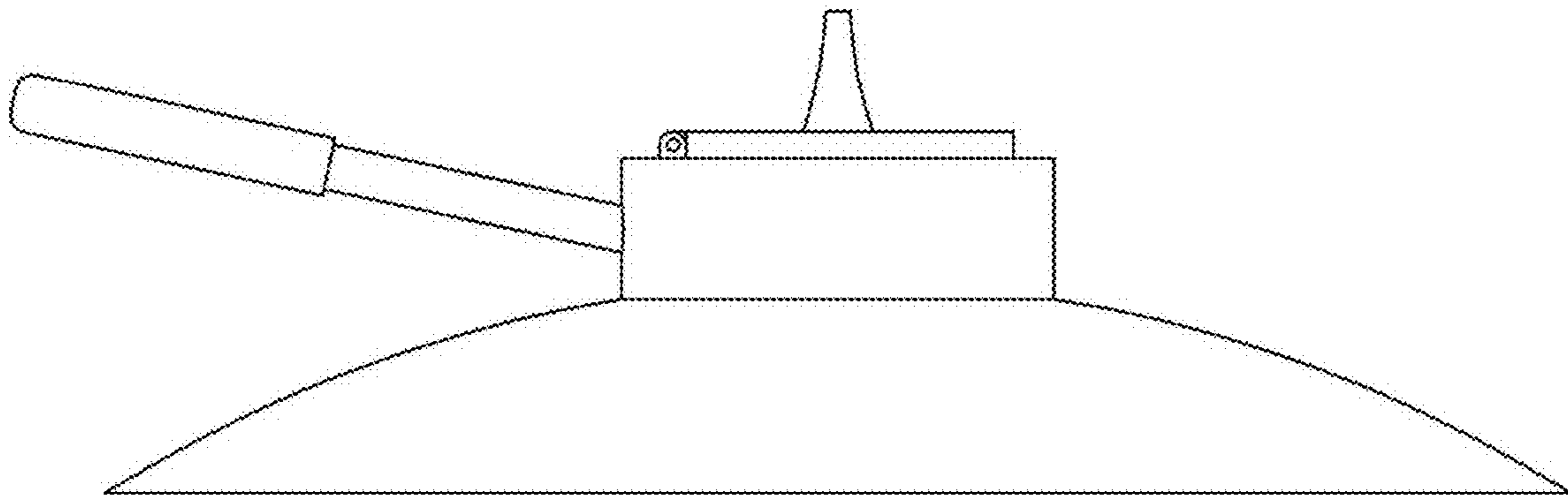
1.1



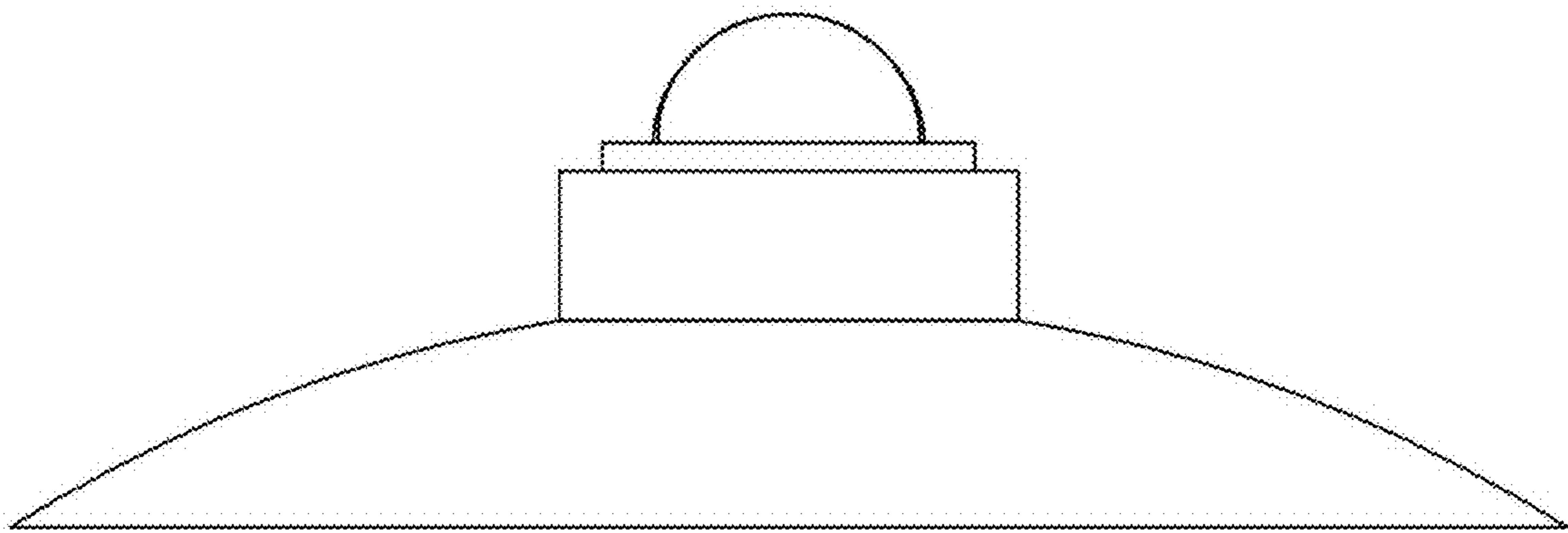
1.2



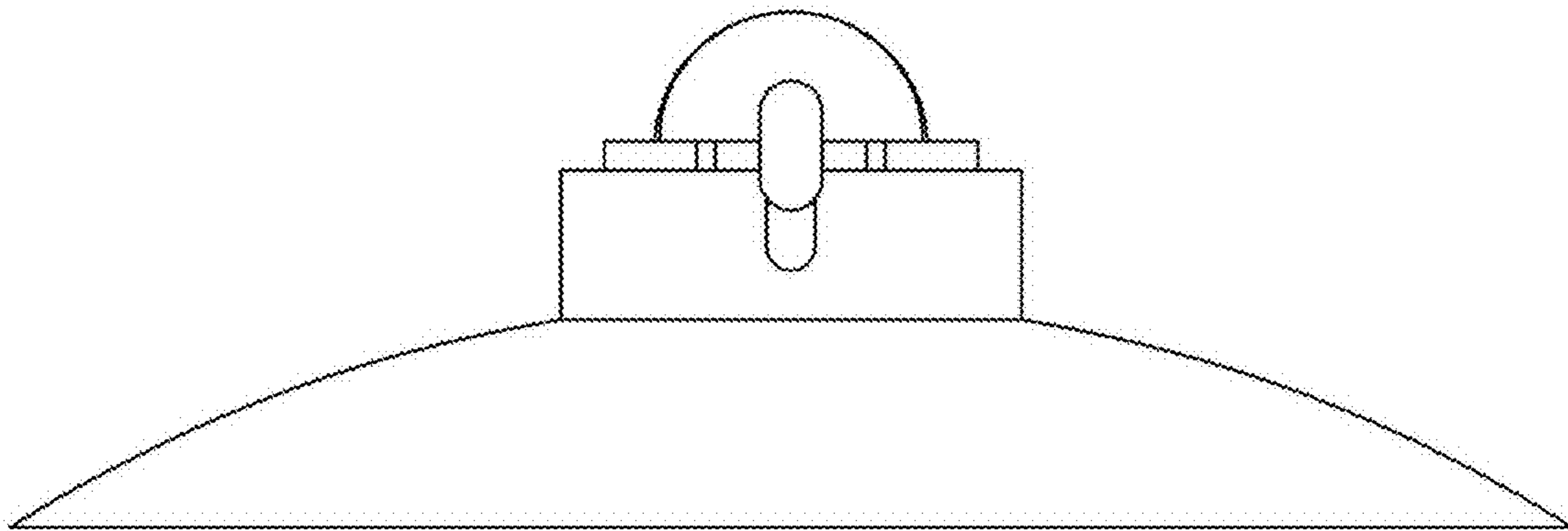
1.3



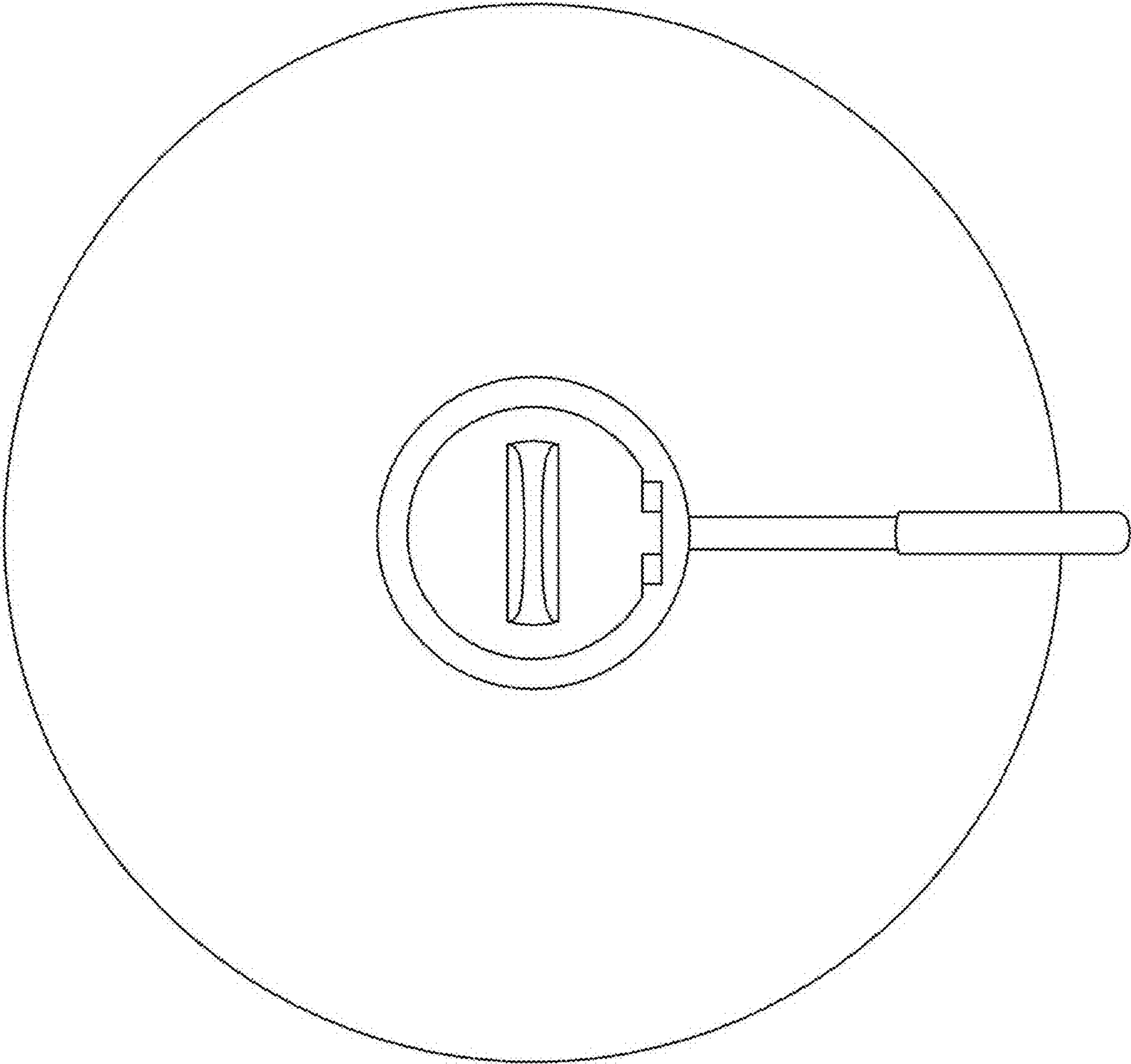
1.4



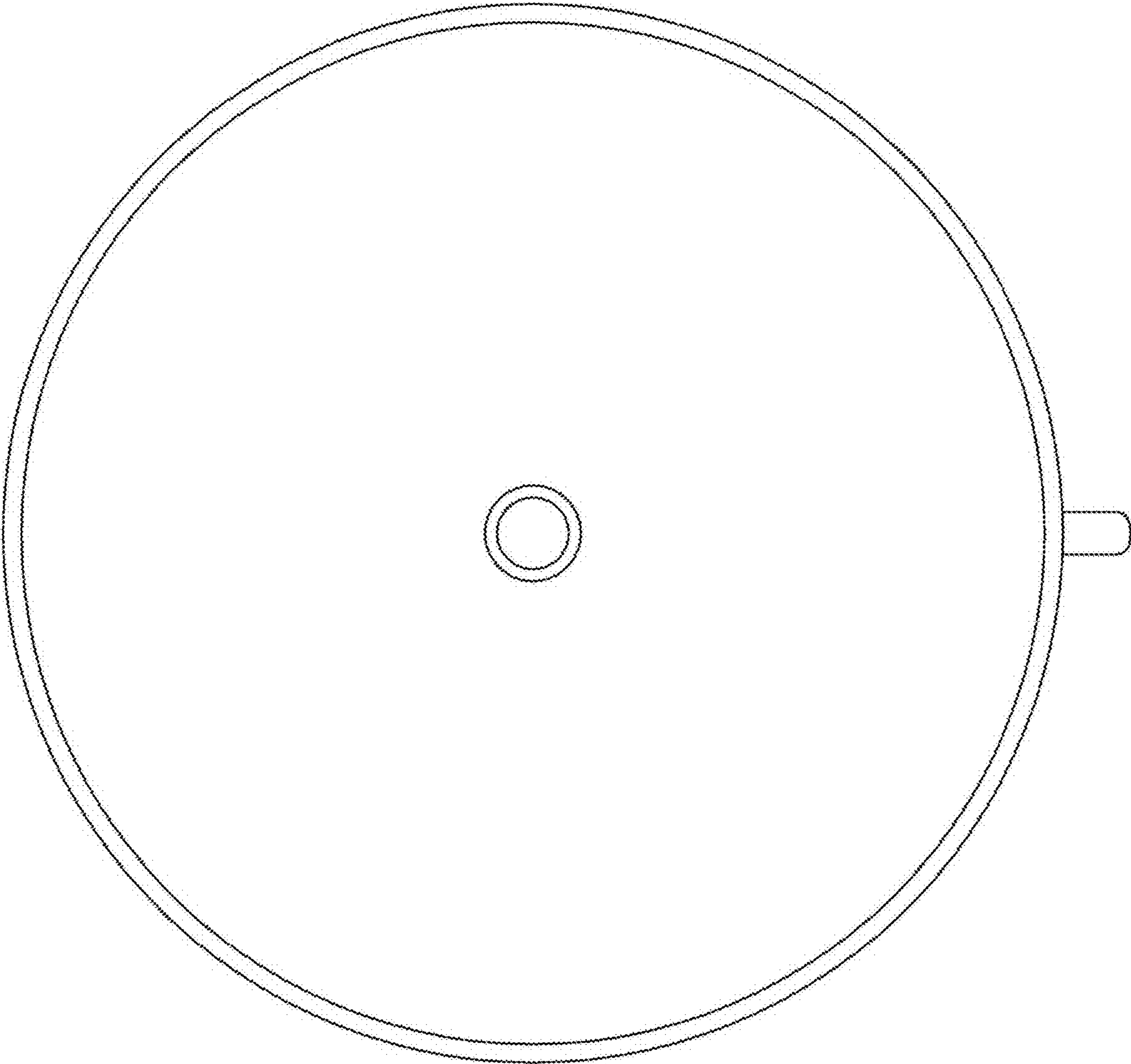
1.5



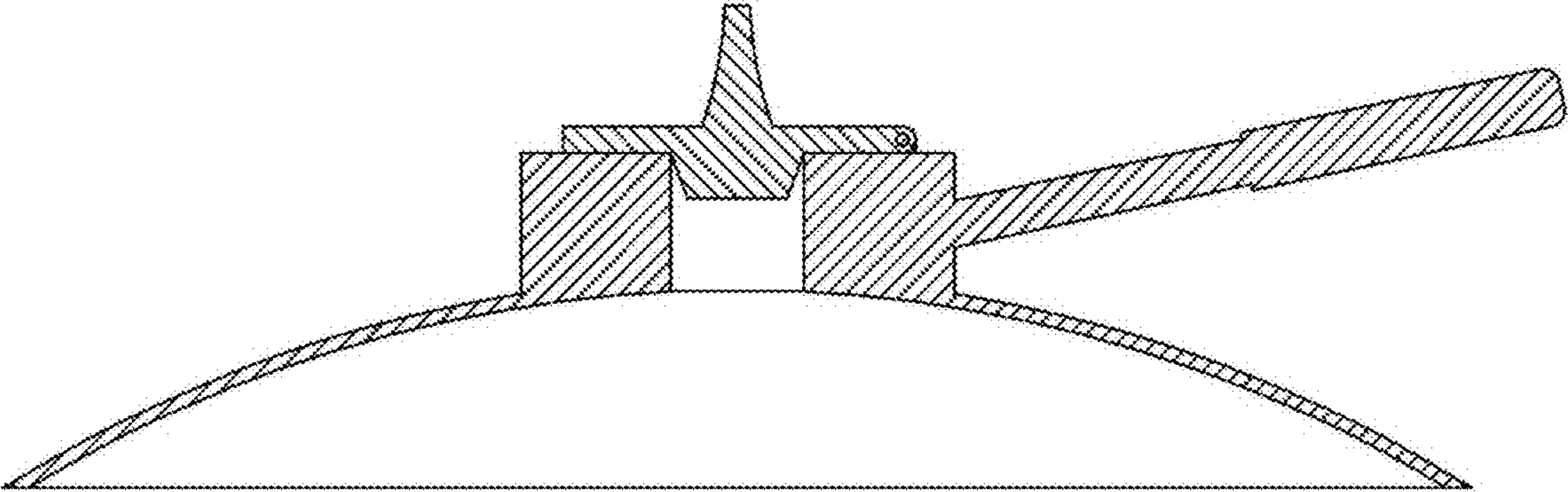
1.6



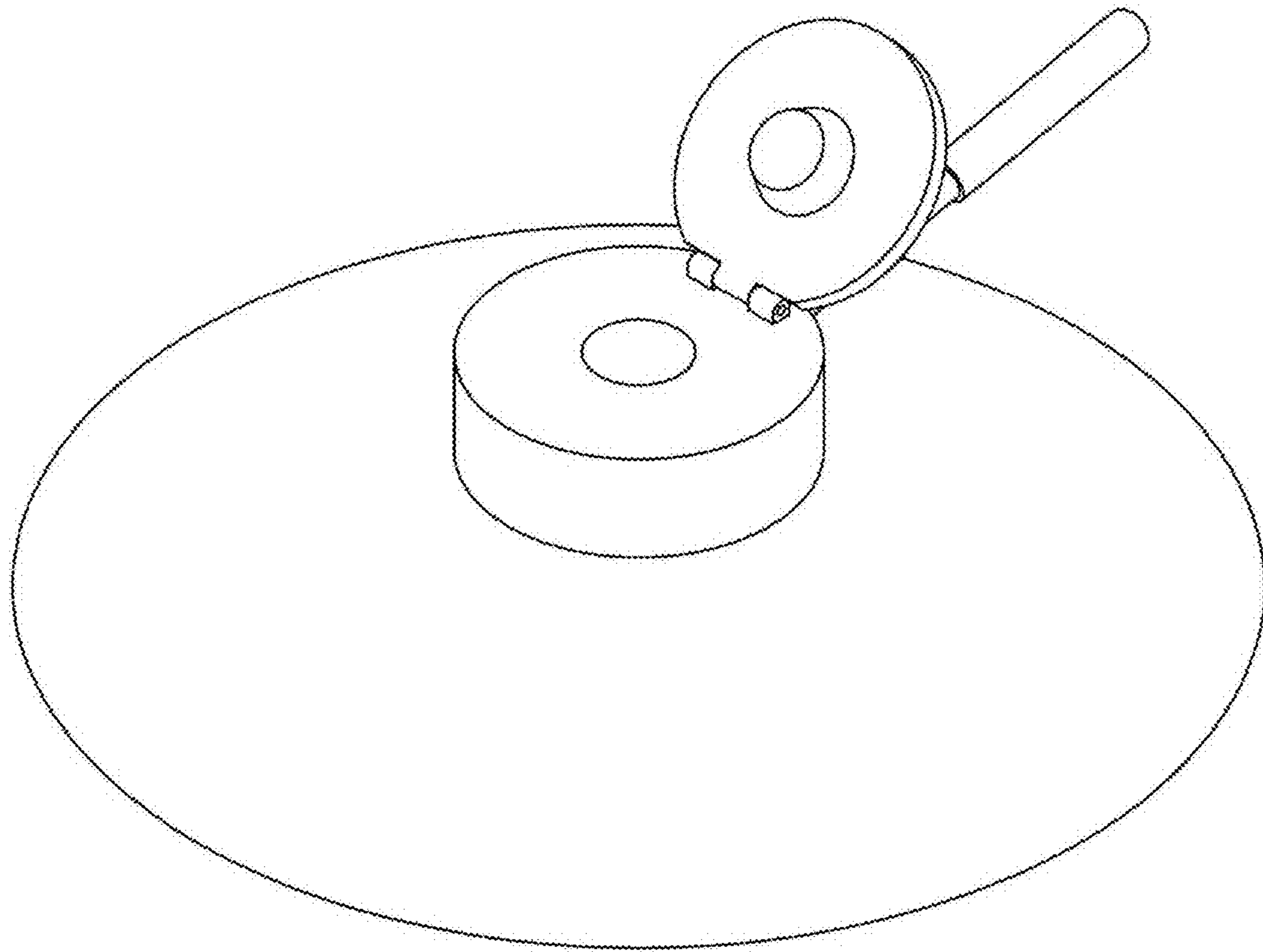
1.7



1.8



1.9



1.10

