



US00D809852S

(12) **United States Design Patent**
Chang

(10) **Patent No.:** **US D809,852 S**

(45) **Date of Patent:** **** Feb. 13, 2018**

(54) **COUNTERTOP COOKER**

(71) Applicant: **Peter Chang**, San Diego, CA (US)

(72) Inventor: **Peter Chang**, San Diego, CA (US)

(**) Term: **15 Years**

(21) Appl. No.: **29/534,519**

(22) Filed: **Jul. 29, 2015**

(51) **LOC (11) Cl.** **07-02**

(52) **U.S. Cl.**

USPC **D7/360**; D7/354

(58) **Field of Classification Search**

USPC D3/201, 202, 203.1, 270, 271.1; D6/672,
D6/674, 677, 707.15; D7/323, 329–332,
D7/337–339, 346–347, 350.1–350.4,
D7/353–368, 391, 392.1, 393–398,
D7/402–406, 409, 511, 515, 523, 526,
D7/530, 531, 534.1, 538, 542, 543, 551,
D7/553.1, 553.2, 553.7, 554.1, 554.4,
D7/560–566, 584–588, 600.1, 601–615;
D9/414, 418, 420, 430, 432

CPC A47G 19/12; A47J 27/00; A47J 27/002;
A47J 27/004; A47J 27/08; A47J 27/21;
A47J 27/58; A47J 35/025; A47J 37/00;
A47J 37/10; A47J 37/101; A47J 37/103;
A47J 37/1204; A47J 37/0704; A47J
45/061; A47J 45/065; A47J 45/071; A47J
45/08; A47J 29/00; A47J 29/02; A47J
29/04; A47J 29/06; A47J 36/025; H05B
6/06; H05B 6/12; A01K 41/02; A01K
41/026; A01K 41/04; A23B 5/00; A23B
5/005; A23B 5/0052; B65D 11/02

See application file for complete search history.

(56) **References Cited**

U.S. PATENT DOCUMENTS

D381,553 S * 7/1997 Candianides D7/354
D425,360 S * 5/2000 Dobson D7/360
D444,993 S * 7/2001 Dobson D7/354

D444,994 S * 7/2001 Kalina D7/360
D450,528 S * 11/2001 Rossman D7/360
D455,040 S * 4/2002 Pannozzo D7/360
D496,555 S * 9/2004 Rommelfanger D7/360
D542,081 S * 5/2007 Picozza D7/354

(Continued)

FOREIGN PATENT DOCUMENTS

CN 302296194 * 1/2013

OTHER PUBLICATIONS

Hamilton Beach Rice Cooker: Announced Aug. 30, 2016 [online],
site visited [Dec. 20, 2015]. Available from Internet URL: https://www.amazon.com/Hamilton-Beach-37522-Cooker-Steamer/product-reviews/B01IRR8KUE/ref=cm_cr_ar_p_d_paging_btm_5?ie=UTF8&reviewerType=all_reviews&pageNumber=5.*

(Continued)

Primary Examiner — Barbara Fox

Assistant Examiner — Catherine S Posthauer

(74) *Attorney, Agent, or Firm* — Donn K. Harms

(57) **CLAIM**

The ornamental design for a countertop cooker, as shown and described.

DESCRIPTION

FIG. 1 is a front perspective view of the countertop cooker showing my new design;

FIG. 2 is a front elevational view thereof

FIG. 3 is a rear elevational view thereof, opposite the view of FIG. 2

FIG. 4 is a first side elevational view thereof;

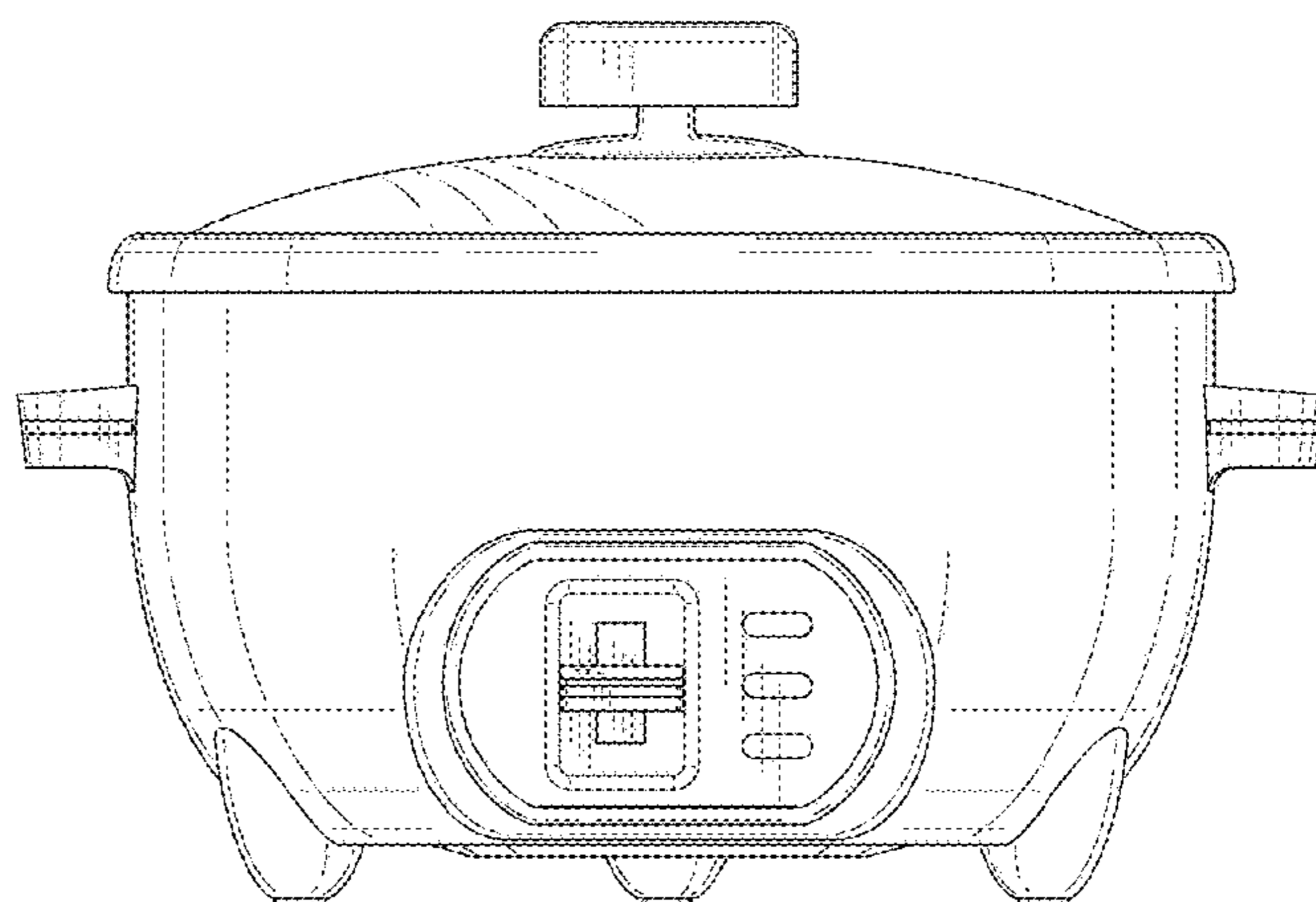
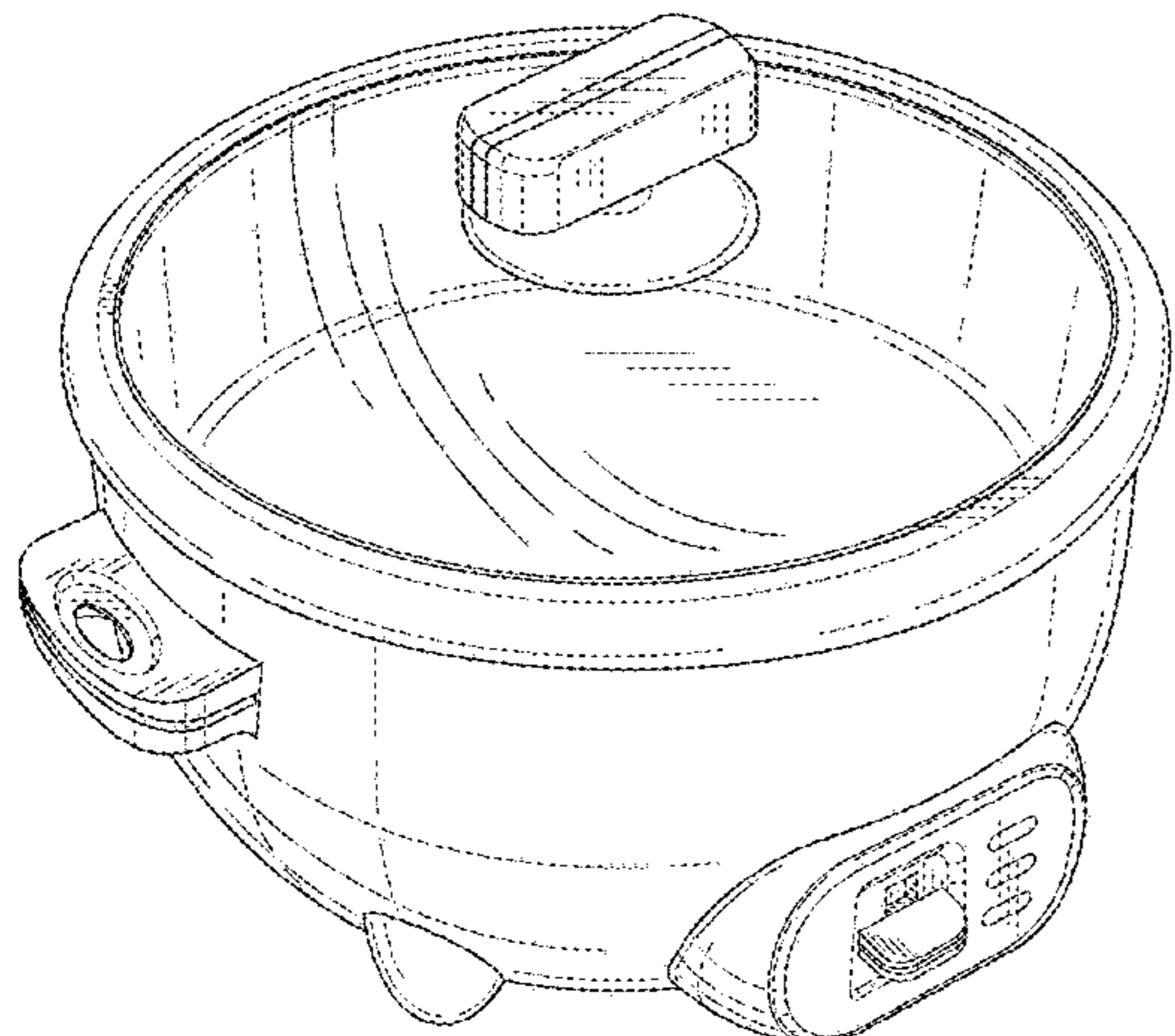
FIG. 5 is a second side elevational view thereof opposite the view of FIG. 4;

FIG. 6 is a top plan view thereof; and,

FIG. 7 is a bottom view thereof opposite the view of FIG. 6.

The broken lines are shown for the purpose of illustrating parts of the article that form no part of the claim.

1 Claim, 7 Drawing Sheets



(56)

References Cited

U.S. PATENT DOCUMENTS

| | | | | | |
|--------------|------|---------|-----------|-------|--------------------------|
| D566,457 | S * | 4/2008 | Ryan | | D7/360 |
| D568,092 | S * | 5/2008 | Boes | | D7/354 |
| D568,676 | S * | 5/2008 | Steiner | | D7/354 |
| D568,678 | S * | 5/2008 | Stattmann | | D7/360 |
| D589,295 | S * | 3/2009 | Rohrer | | D7/360 |
| D590,654 | S * | 4/2009 | Perkins | | D7/354 |
| D618,040 | S * | 6/2010 | Hoff | | D7/354 |
| D641,202 | S * | 7/2011 | Bock | | D7/354 |
| D667,679 | S * | 9/2012 | Carlson | | D7/354 |
| D667,680 | S * | 9/2012 | Bock | | D7/354 |
| D682,009 | S * | 5/2013 | Day | | D7/354 |
| D683,179 | S * | 5/2013 | Coursey | | D7/354 |
| D701,416 | S * | 3/2014 | Day | | D7/354 |
| D735,519 | S * | 8/2015 | Benoit | | D7/354 |
| D756,159 | S * | 5/2016 | Chang | | D7/354 |
| D770,845 | S * | 11/2016 | Quinn | | D7/354 |
| 2001/0042753 | A1 * | 11/2001 | Park | | A47J 27/002 220/573.1 |
| 2006/0130669 | A1 * | 6/2006 | Crow | | A47J 45/061 99/403 |

OTHER PUBLICATIONS

Westinghouse Rice Cooker: Announced Jul. 10, 2016 [online], site visited [Dec. 20, 2016]. Available from Internet URL: https://www.amazon.com/Westinghouse-WRC10WA-Select-Cooked-Un-cooked/product-reviews/B01B46GHKU/ref=cm_cr_arpd_pagination_btm_16?ie=UTF8&reviewerType=all_reviews&pageNumber=16.

* cited by examiner

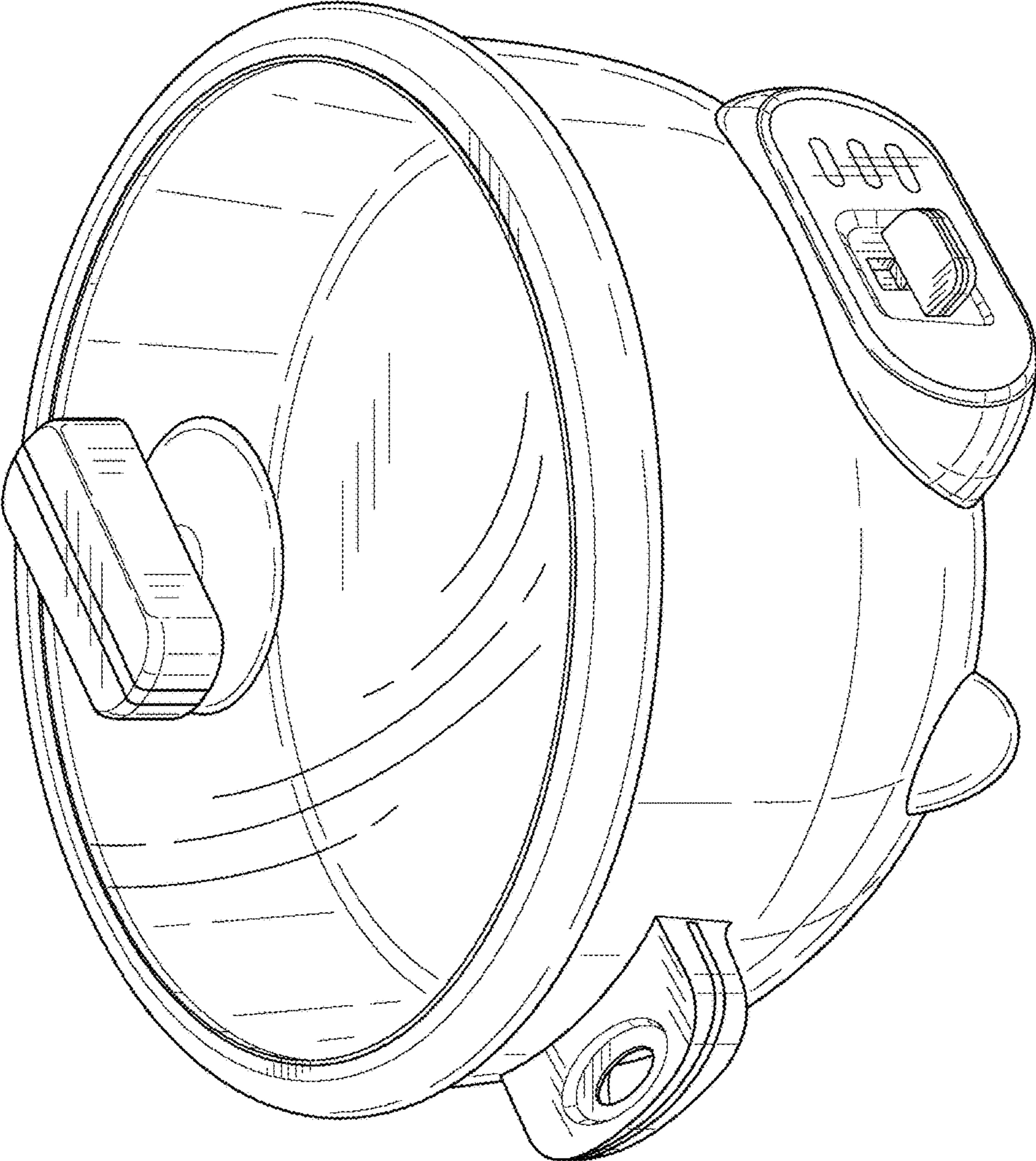


FIG. 1

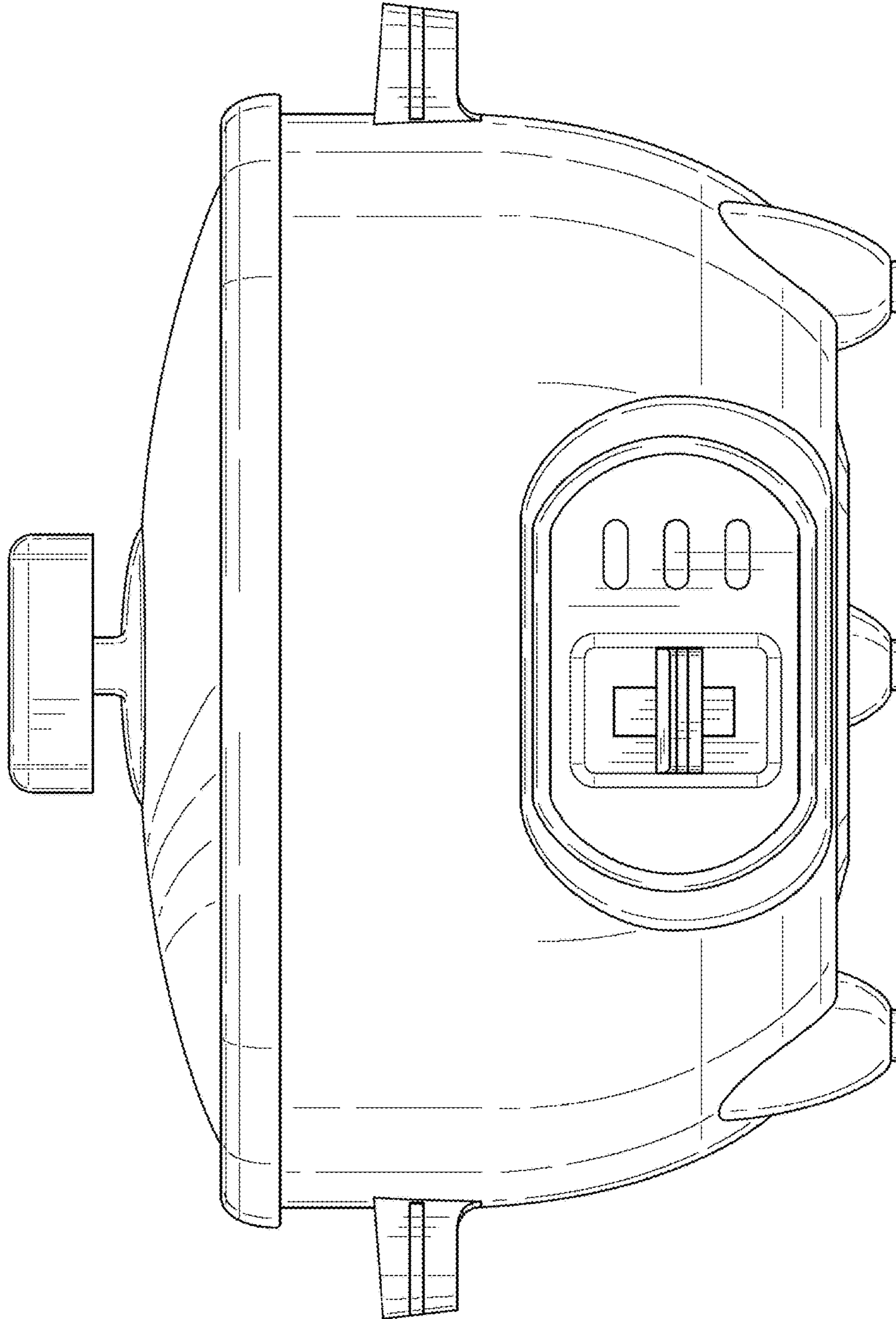


FIG. 2

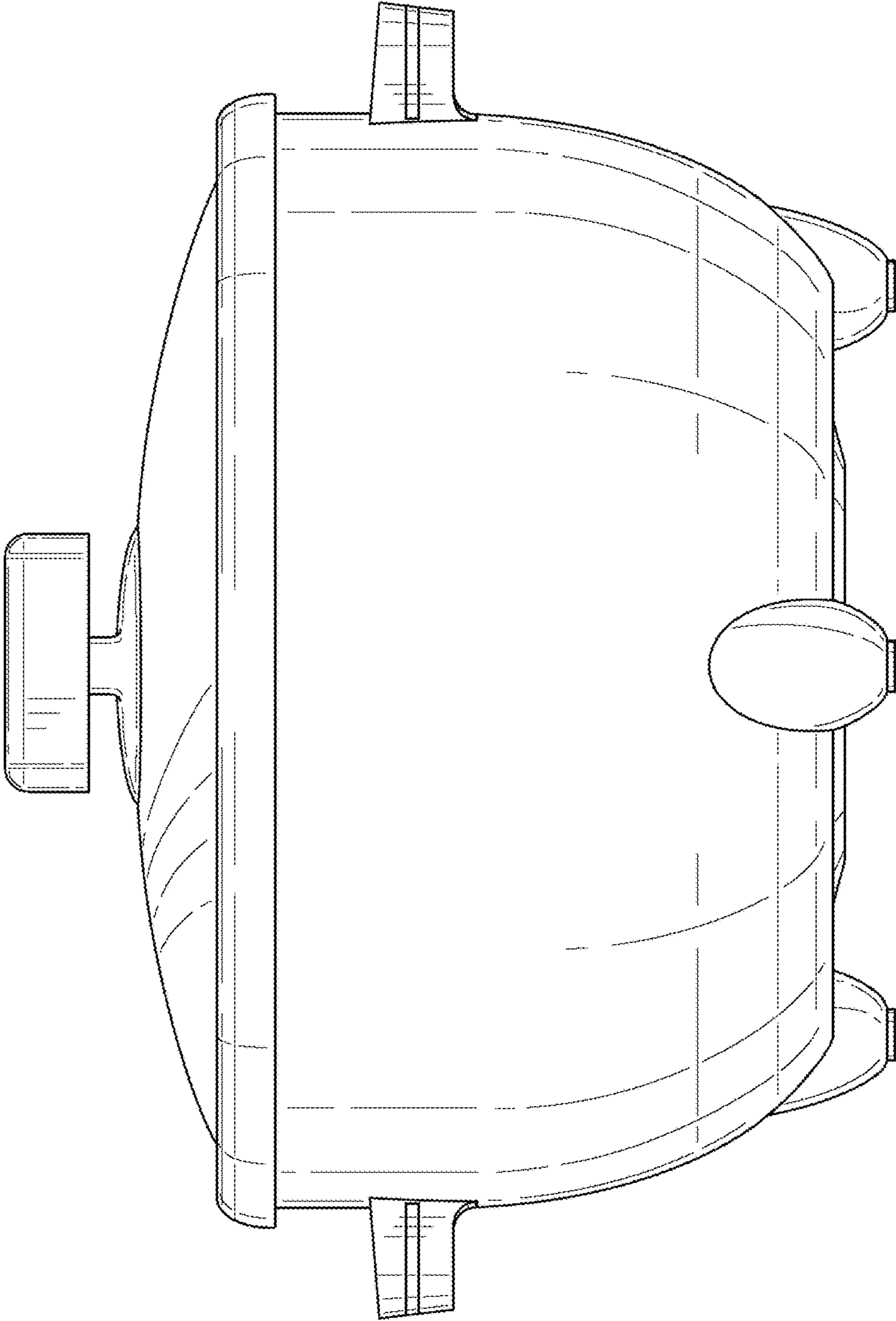


FIG. 3

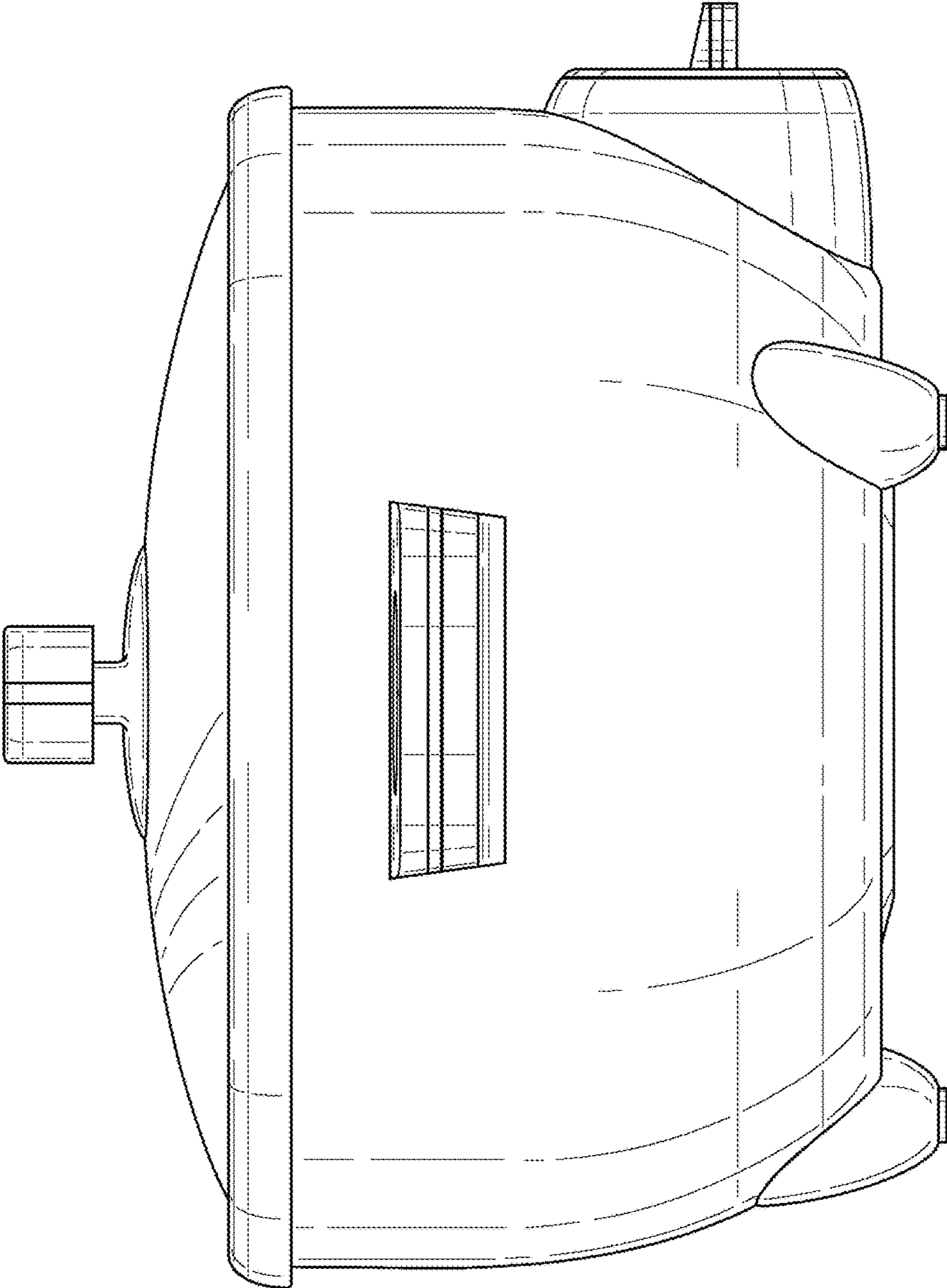


FIG. 4

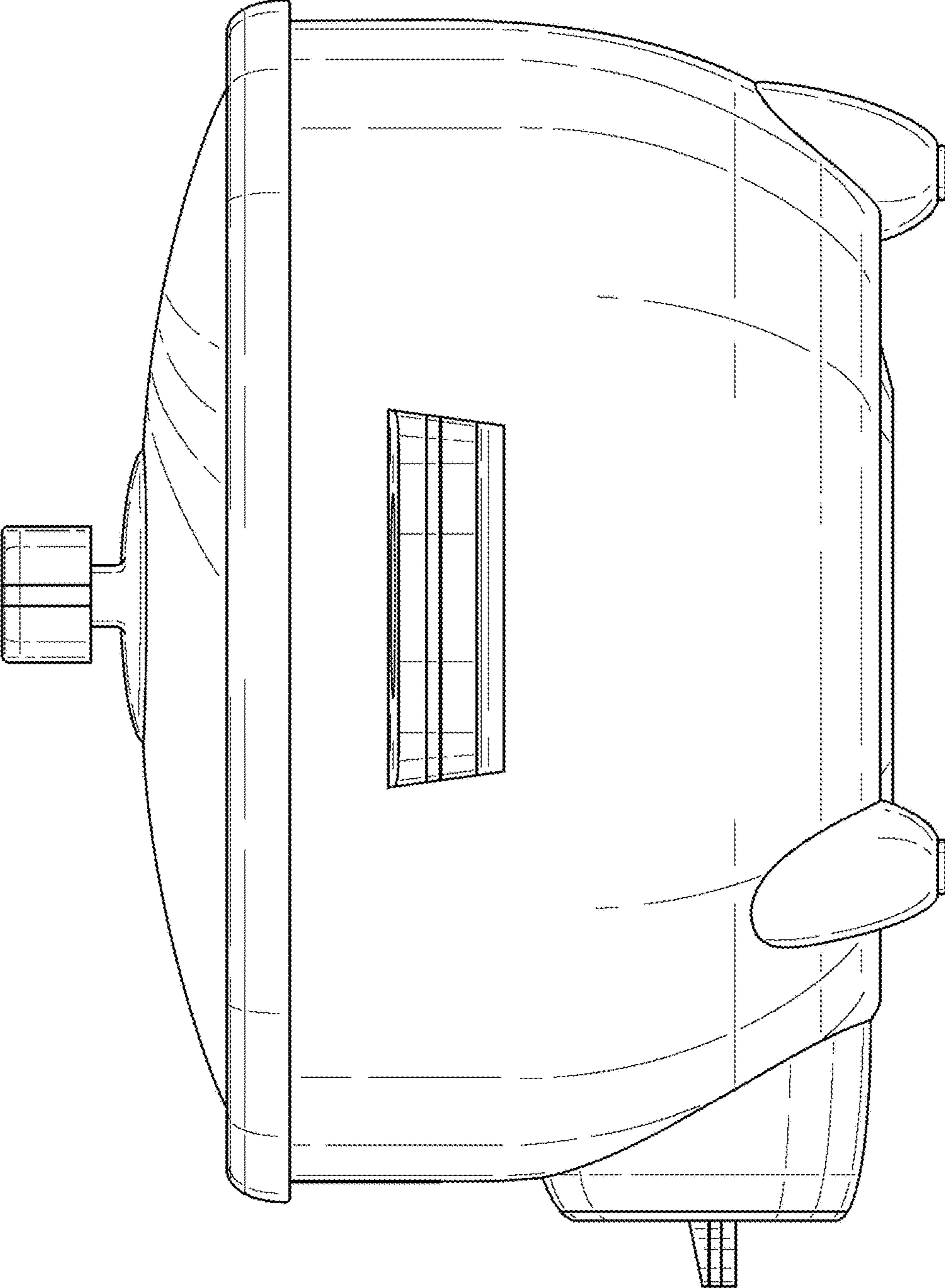


FIG. 5

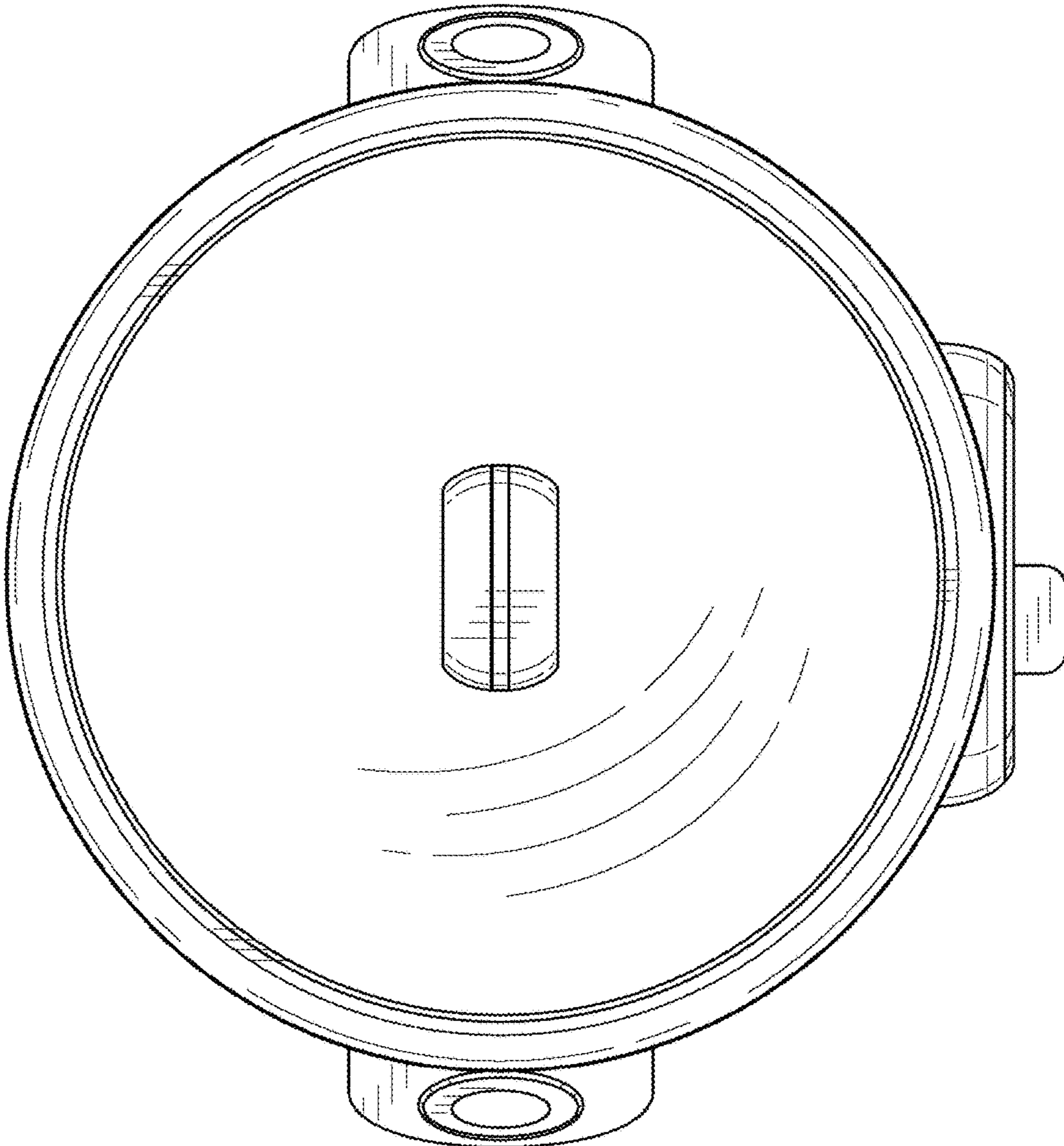


FIG. 6

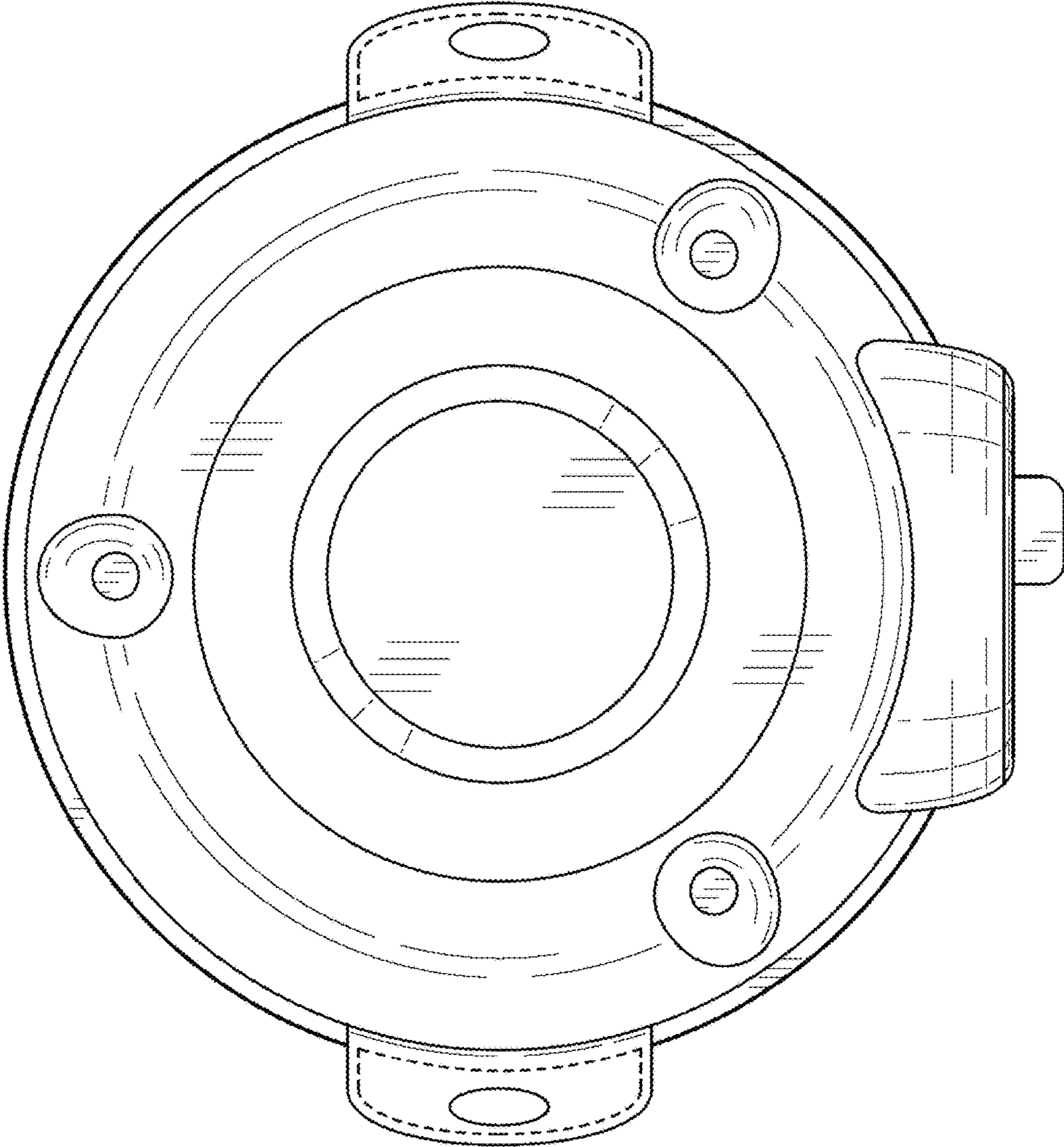


FIG. 7