



US00D809849S

(12) **United States Design Patent** (10) **Patent No.:** **US D809,849 S**
Lee (45) **Date of Patent:** **** Feb. 13, 2018**

(54) **COOKING PAN**

(71) Applicant: **Jin Hee Lee**, Seoul (KR)

(72) Inventor: **Jin Hee Lee**, Seoul (KR)

(**) Term: **15 Years**

(21) Appl. No.: **29/564,937**

(22) Filed: **May 17, 2016**

(30) **Foreign Application Priority Data**

Nov. 19, 2015 (KR) 30-2015-0058267

(51) **LOC (11) Cl.** **07-02**

(52) **U.S. Cl.**
USPC **D7/359**

(58) **Field of Classification Search**

USPC D3/201, 202, 203.1, 270, 271.1, 304,
D3/315, 319; D7/323, 331, 353, 354,
D7/356, 357, 359, 390, 402, 409, 550.1,
D7/552.1, 553.1, 553.2, 553.7, 554.1,
D7/554.3, 554.4, 601; D6/553, 567, 570,
D6/571, 675, 677, 681, 683.1; D9/414,
D9/428, 430, 432, 436, 755, 759;
D24/127, 128, 216, 224, 227, 228, 229,
D24/230; D12/163, 197, 415, 425;
D21/524, 525, 532; D23/260, 261, 268,
D23/397; D26/28; D28/61; D30/129,
D30/130, 132, 133

CPC A47G 19/12; A47J 27/00; A47J 27/002;
A47J 27/004; A47J 27/08; A47J 27/21;
A47J 27/58; A47J 35/025; A47J 45/061;
A47J 45/065; A47J 45/071; A47J 45/08;
A47J 29/00; A47J 29/02; A47J 29/04;
A47J 29/06; A47J 36/025; A45J 37/00;
A45J 37/10; A45J 37/101; A45J 37/103;
A45J 37/1204; A45J 37/0704; H05B
6/06; H05B 6/12; A01K 41/02; A01K
41/026; A01K

(Continued)

(56) **References Cited**

U.S. PATENT DOCUMENTS

D2,549 S * 1/1867 Musselmans D7/359
1,936,551 A * 11/1933 Garrison A47J 37/10
99/339

(Continued)

OTHER PUBLICATIONS

Anolon Advanced 12 Inch Hard Anonized Nonstick Divided Grill/
Griddle Skillet: Announced Jun. 5, 2015 [online]. Site visited [Mar.
31, 2015. Available from Internet URL: [https://www.
bedbathandbeyond.com/store/product/anolon-reg-advanced-12-
inch-hard-anodized-nonstick-divided-grill-griddle-skillet/
1043790791](https://www.bedbathandbeyond.com/store/product/anolon-reg-advanced-12-inch-hard-anodized-nonstick-divided-grill-griddle-skillet/1043790791).*

Primary Examiner — Thomas Johannes

Assistant Examiner — Catherine S Posthauer

(74) *Attorney, Agent, or Firm* — Kile Park Reed &
Houtteman PLLC

(57) **CLAIM**

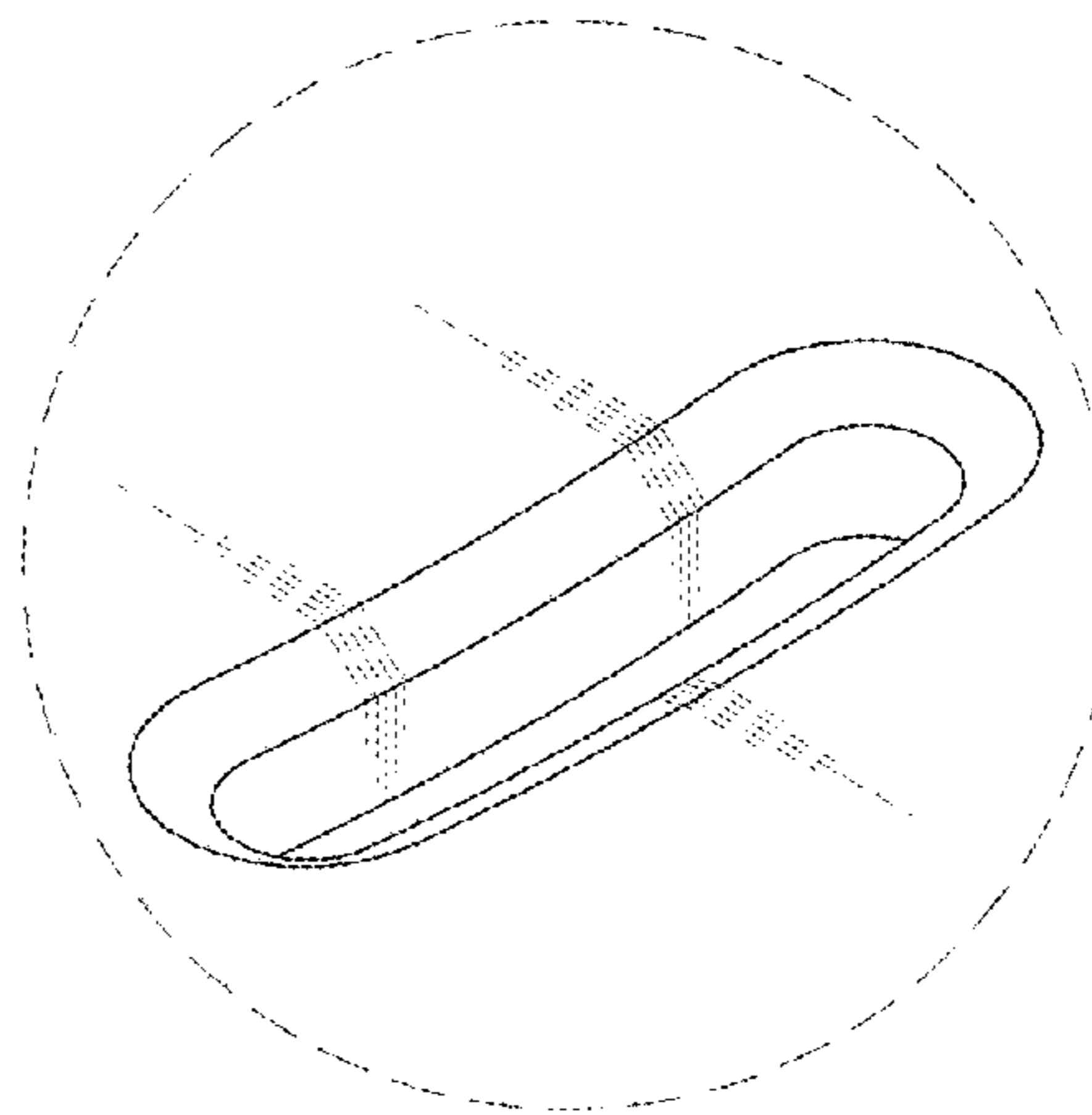
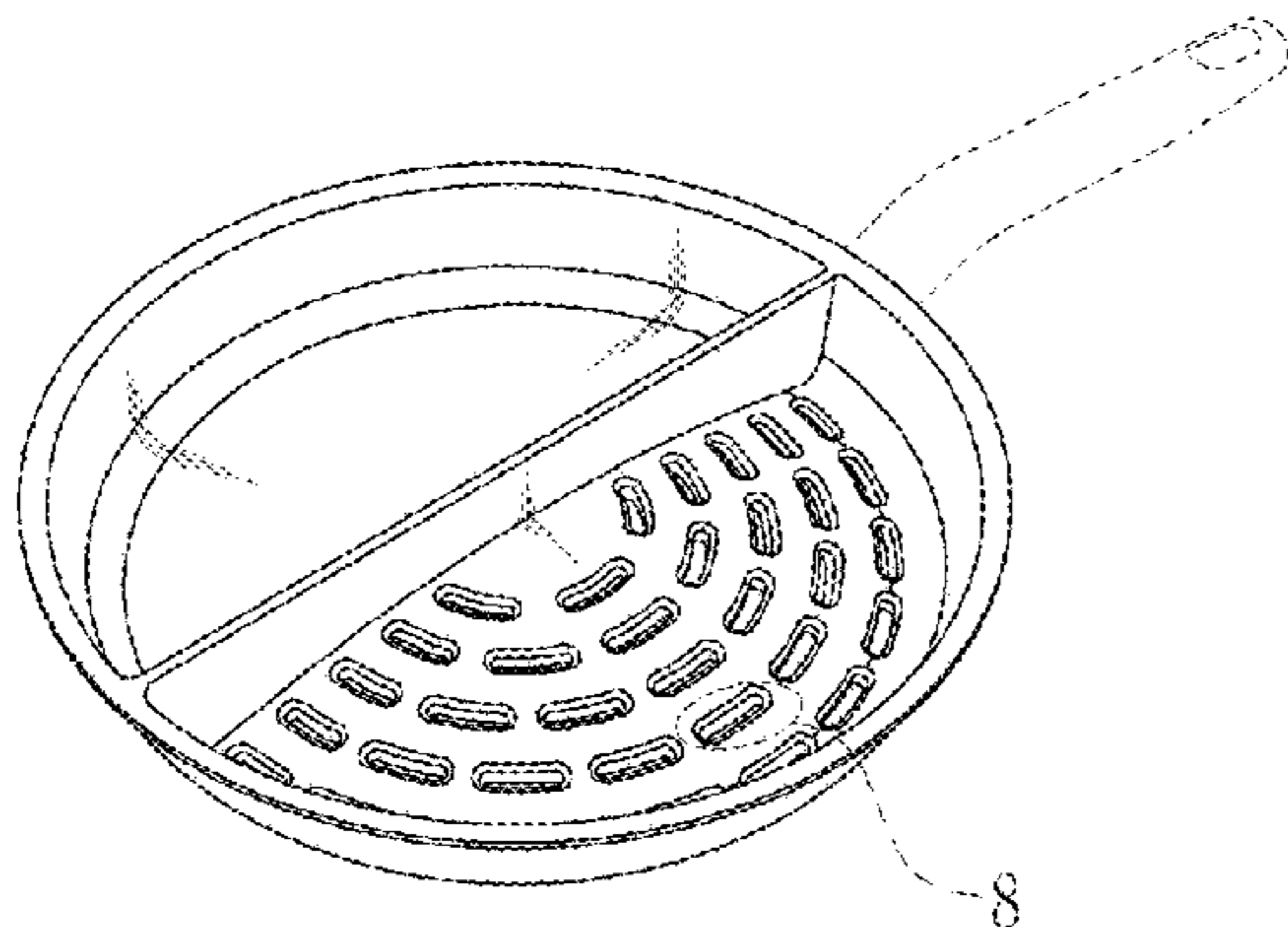
I claim, the ornamental design for a cooking pan, as shown
and described.

DESCRIPTION

FIG. 1 is a top and front perspective view of a cooking pan,
showing my new design;
FIG. 2 is a front view thereof;
FIG. 3 is a rear view thereof;
FIG. 4 is a left side view thereof;
FIG. 5 is a right side view thereof;
FIG. 6 is a top plan view thereof;
FIG. 7 is a bottom plan view thereof; and,
FIG. 8 is an enlarged detail view of an oval aperture, taken
from reference "8" on FIG. 1, and rotated slightly for clarity
of details.

The shorter broken lines are shown for the purpose of
illustrating parts of the article that form no part of the claim.
The longer dashed broken lines are shown for the purpose of

(Continued)



designating the enlargement view of FIG. 8 and its origin reference on FIG. 1 and form no part of the claim.

1 Claim, 6 Drawing Sheets

(58) Field of Classification Search

CPC 41/04; B65D 11/02; A23B 5/00; A23B
5/005; A23B 5/0052

See application file for complete search history.

(56) References Cited

U.S. PATENT DOCUMENTS

D277,254	S	*	1/1985	Matsuhisa	D7/359
D373,285	S	*	9/1996	Coroama	D7/359
D376,723	S	*	12/1996	Asner	D7/359
D414,981	S	*	10/1999	Roskind	D7/359
D573,466	S	*	7/2008	White	D9/456
D676,705	S	*	2/2013	Di Bartolo	D7/354
D682,012	S	*	5/2013	Lin	D7/354
D689,326	S	*	9/2013	Ortegon	D7/354
D731,231	S	*	6/2015	Steininger	D7/354
2012/0055346	A1	*	3/2012	Navare	A47J 37/10 99/445
2012/0248123	A1	*	10/2012	Rayudu	A47J 27/002 220/573.1
2012/0305568	A1	*	12/2012	Lee	A47J 36/025 220/573.2
2012/0312822	A1	*	12/2012	Cheng	A47J 45/068 220/573.1
2015/0053696	A1	*	2/2015	Borovicka	A47J 45/071 220/573.1
2016/0058229	A1	*	3/2016	Livesey	A47J 45/061 220/573.1

* cited by examiner

FIG. 1

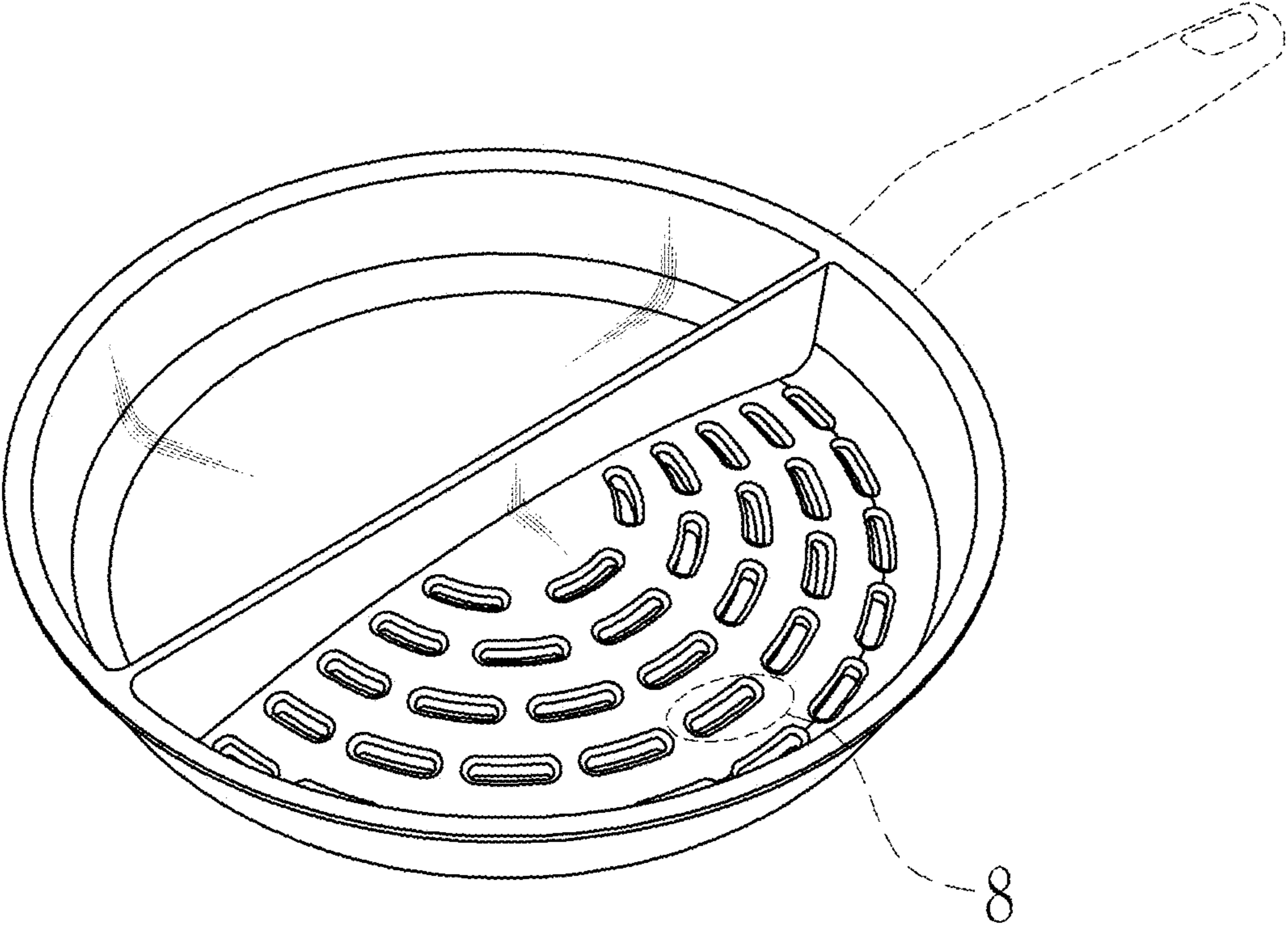


FIG. 2

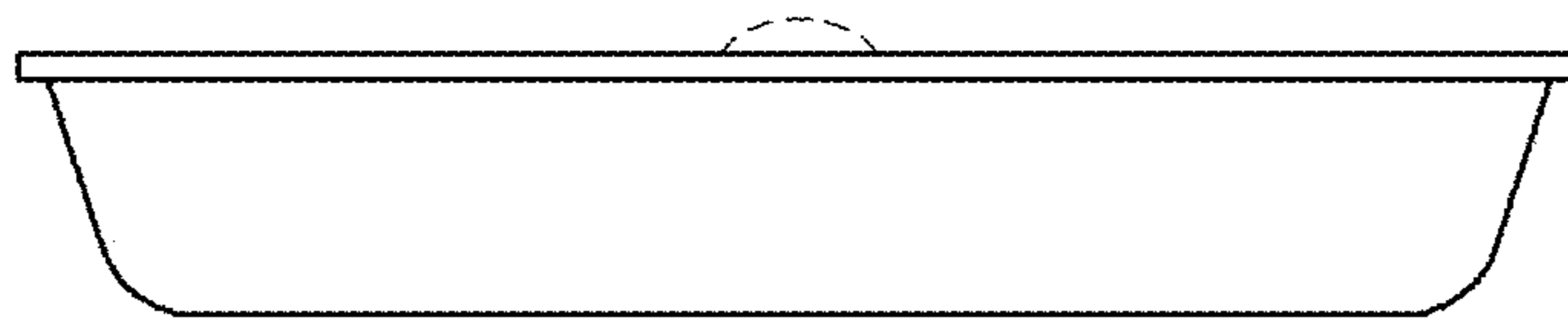


FIG. 3

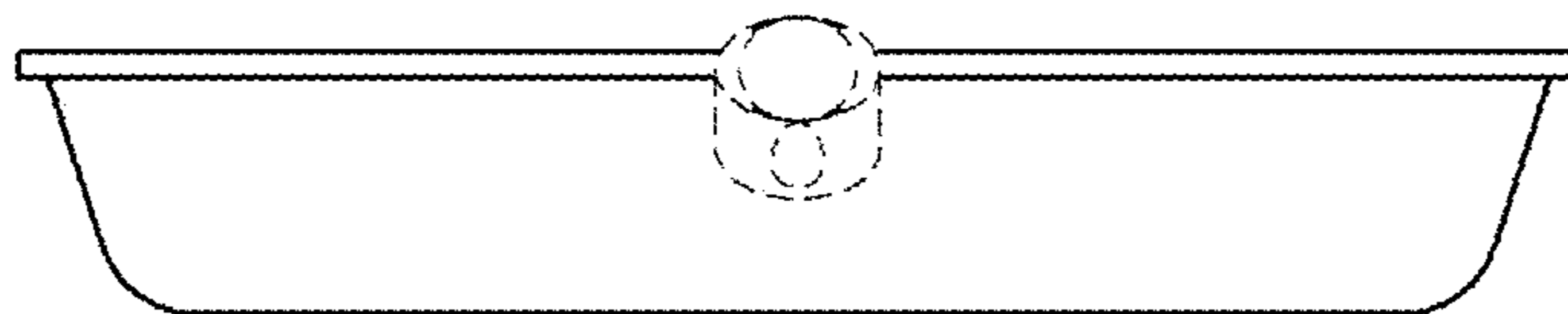


FIG. 4



FIG. 5

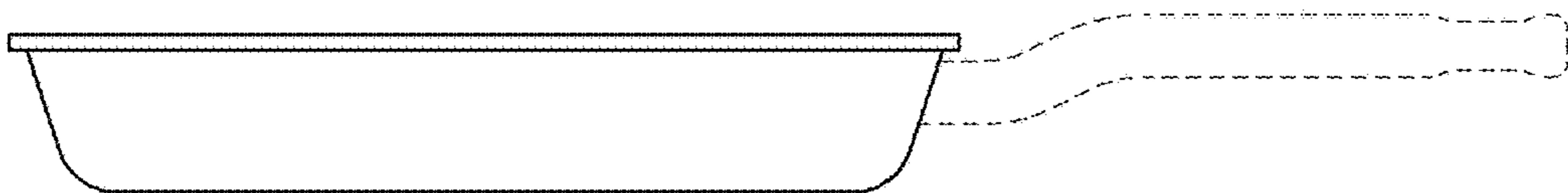


FIG. 6

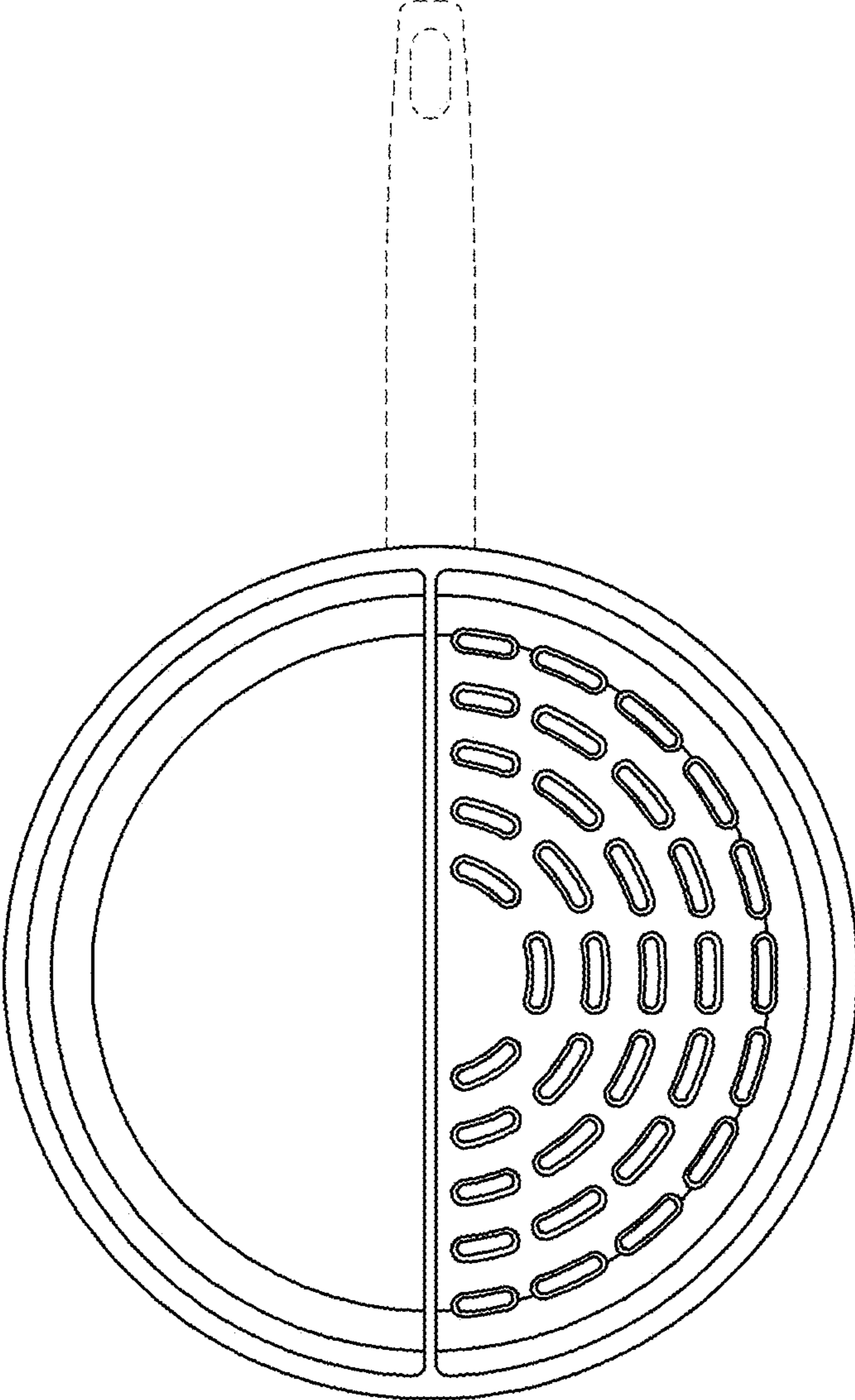


FIG. 7

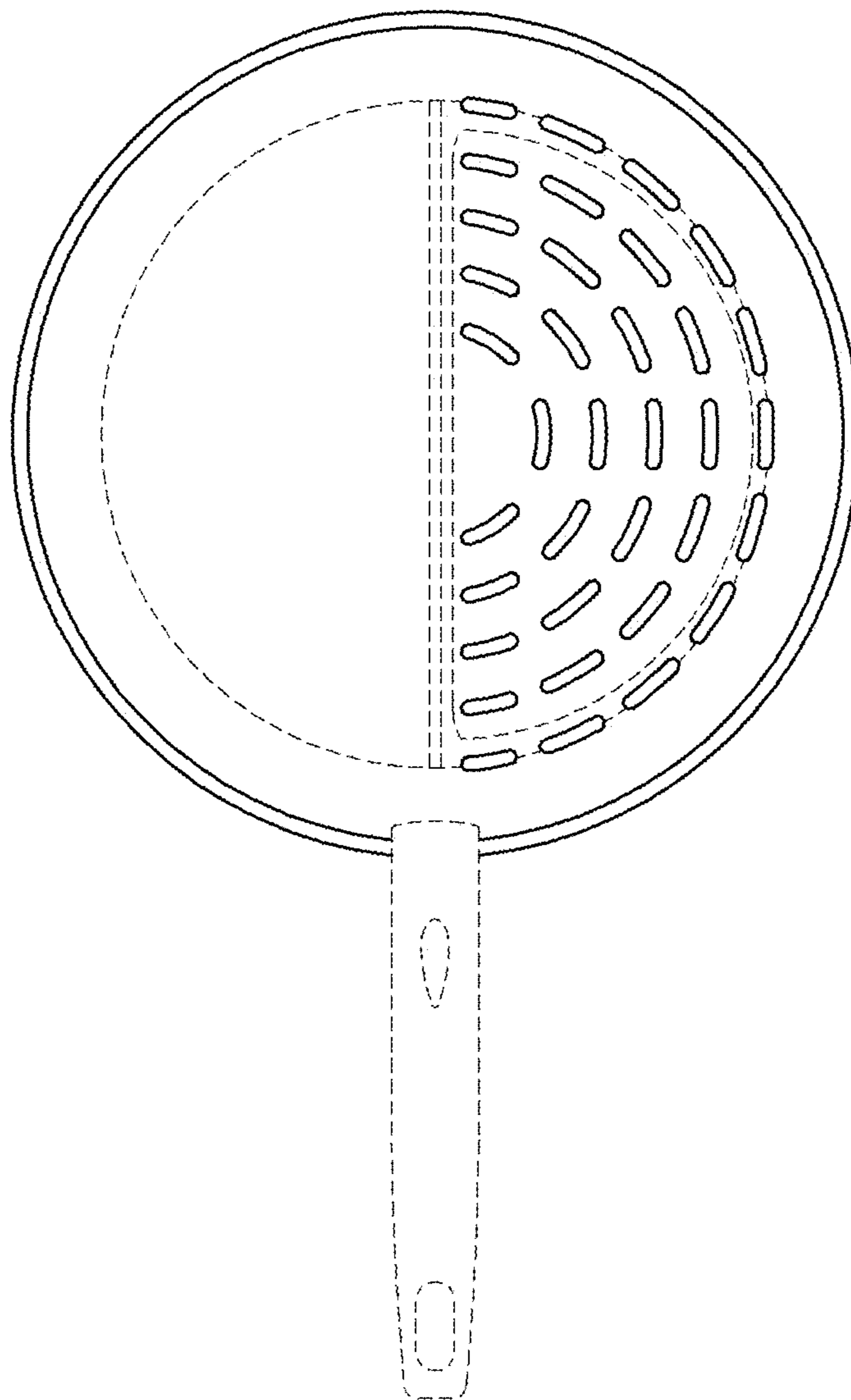


FIG. 8

