



US00D809847S

(12) **United States Design Patent** (10) **Patent No.:** **US D809,847 S**
Liu (45) **Date of Patent:** **** Feb. 13, 2018**

(54) **BBQ GRILL**
(71) Applicant: **A CARSFRIENDS NETWORK TECHNOLOGY CO., LTD.**, Ningbo (CN)
(72) Inventor: **Guanxiong Liu**, Ningbo (CN)
(73) Assignee: **A Carsfriends Network Technology Co., Ltd.**, Ningbo (CN)
(**) Term: **15 Years**

D533,010 S * 12/2006 Pai D7/334
D535,846 S * 1/2007 Debord D7/334
D560,416 S * 1/2008 Sedberry D7/334
D569,168 S * 5/2008 Pai D7/334
D581,199 S * 11/2008 Chau D7/334
D584,562 S * 1/2009 Chau D7/334
D586,609 S * 2/2009 Chau D7/334
D635,814 S * 4/2011 Leavens D7/334
D688,510 S * 8/2013 Stirn D7/334
D688,512 S * 8/2013 Chung D7/334
D693,624 S * 11/2013 Chung D7/334
D694,056 S * 11/2013 Dahle D7/334
D694,568 S * 12/2013 Alden D7/334
D723,322 S * 3/2015 Strauch D7/334

(Continued)

(21) Appl. No.: **29/566,947**
(22) Filed: **Jun. 3, 2016**

Primary Examiner — Susan Bennett Hattan
Assistant Examiner — Suzanne E Tisdell
(74) *Attorney, Agent, or Firm* — Wang Law Firm, Inc.

(30) **Foreign Application Priority Data**
Dec. 3, 2015 (CN) 2015 3 0499897
Mar. 28, 2016 (CN) 2016 3 0094584

(57) **CLAIM**
The ornamental design for a BBQ grill, as shown and described.

(51) **LOC (11) Cl.** **07-02**
(52) **U.S. Cl.**
USPC **D7/334**

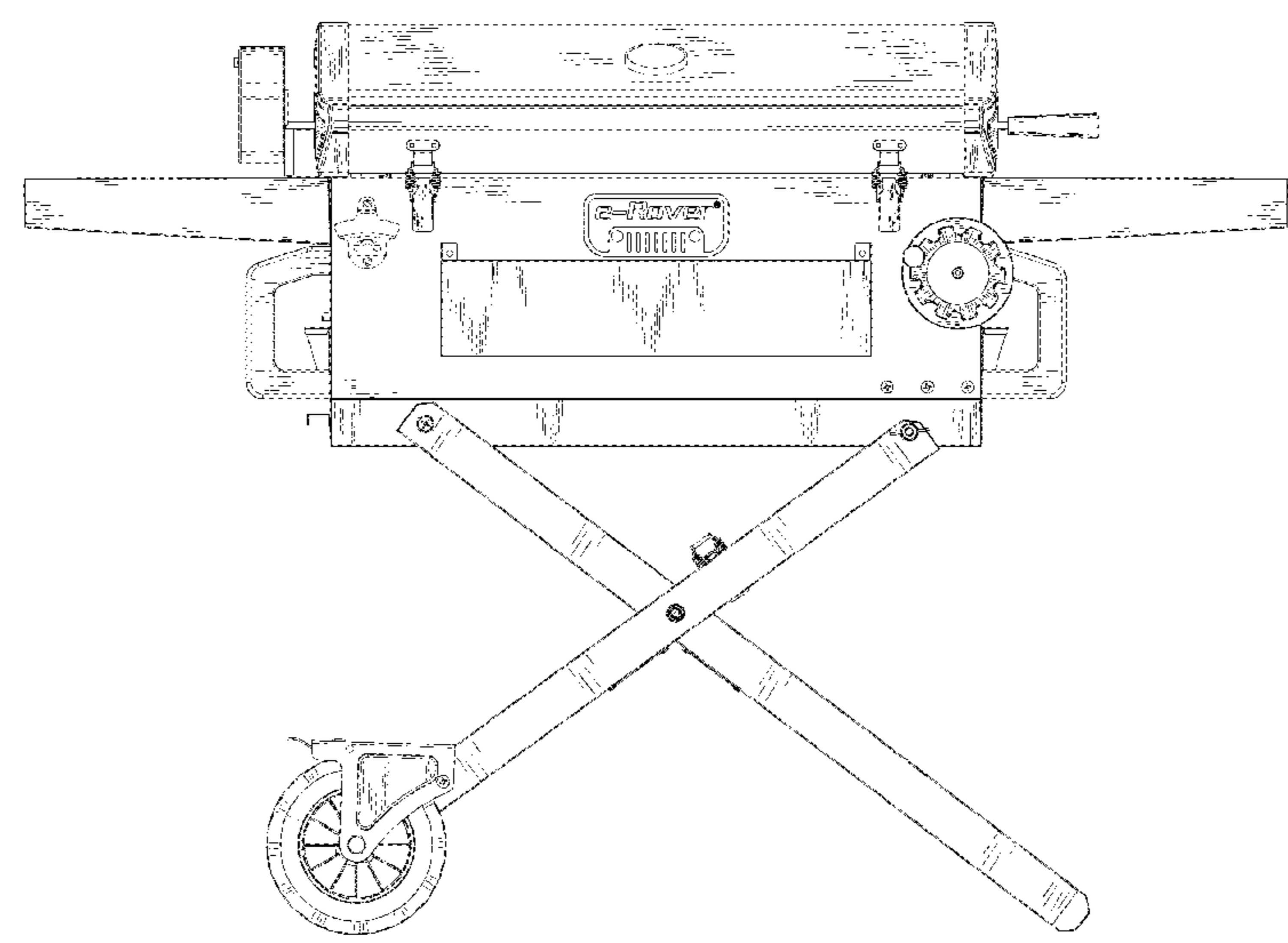
DESCRIPTION

(58) **Field of Classification Search**
USPC D7/213, 323, 324, 325, 326, 327, 328, D7/329, 330, 331, 332, 333, 334, 335, D7/336, 337, 402, 404, 405, 406, 407
CPC G05D 7/00; F24F 13/07; F24C 5/00; F24C 5/20; F24C 3/00; F24C 3/10; F24C 3/12; F24C 15/06; F24C 15/10; F24C 15/16; F24C 15/20; F24B 3/00; F23N 5/22; B60H 3/00; B32B 15/04; A62C 3/00; A47J 43/18
See application file for complete search history.

FIG. 1 is a front view showing my new design;
FIG. 2 is a right view thereof;
FIG. 3 is a left view thereof;
FIG. 4 is a rear view thereof;
FIG. 5 is a bottom view thereof;
FIG. 6 is a top view thereof;
FIG. 7 is a perspective view thereof;
FIG. 8 is a perspective view with legs folded thereof;
FIG. 9 is a perspective view of a second embodiment of the BBQ grill;
FIG. 10 is a perspective view with legs folded thereof;
FIG. 11 is a perspective view of a third embodiment of the BBQ grill; and,
FIG. 12 is a perspective view with legs folded thereof.
The broken lines show portions of the BBQ grill that form no part of the claimed design.

(56) **References Cited**
U.S. PATENT DOCUMENTS
D462,227 S * 9/2002 Alden D7/334
D494,004 S * 8/2004 Chapman D7/334
D533,009 S * 12/2006 Pai D7/334

1 Claim, 12 Drawing Sheets



(56)

References Cited

U.S. PATENT DOCUMENTS

D723,860 S * 3/2015 Chung D7/334
D747,911 S * 1/2016 Sheppard D34/14
D769,668 S * 10/2016 Lally D7/334
2010/0297321 A1* 11/2010 Strauch A47J 37/041
426/523
2013/0112088 A1* 5/2013 May A47J 37/07
99/421 H
2015/0004297 A1* 1/2015 Pothetes A47J 37/00
426/523
2016/0198895 A1* 7/2016 Turner A47J 37/0676
99/445
2016/0208837 A1* 7/2016 Chang F16B 5/02
2016/0360924 A1* 12/2016 Bruin-Slot A47J 37/0713

* cited by examiner

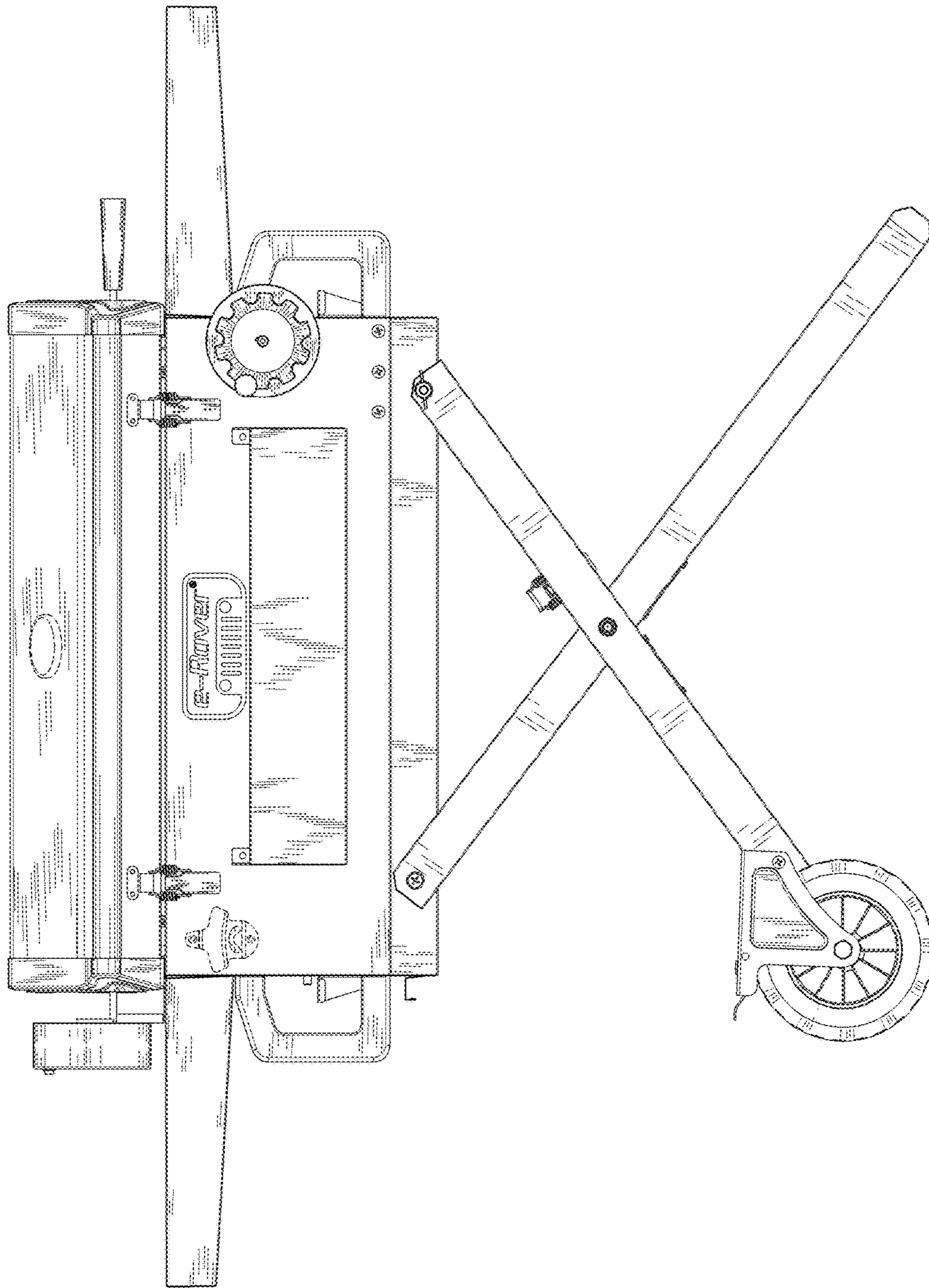


FIG. 1

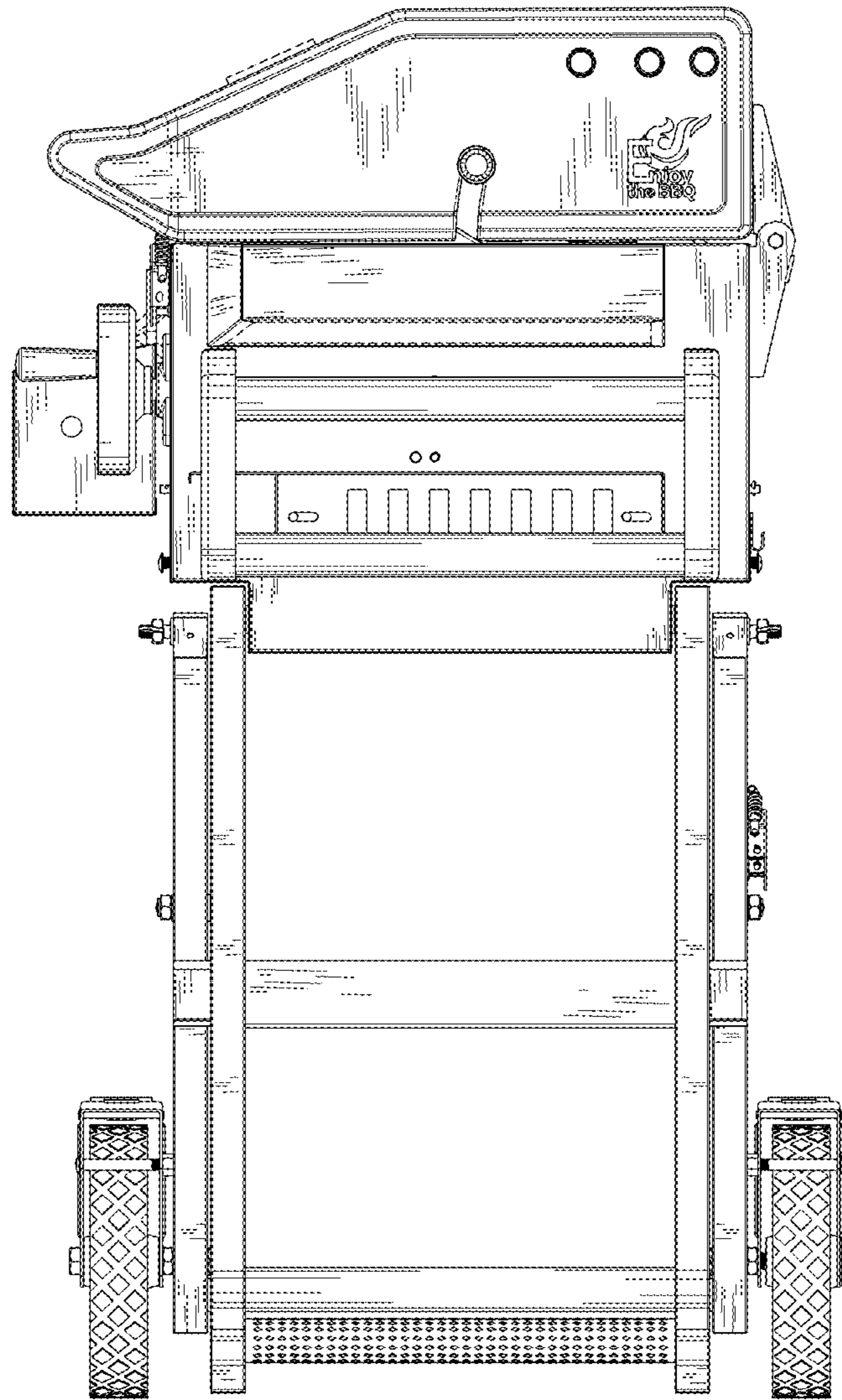


FIG. 2

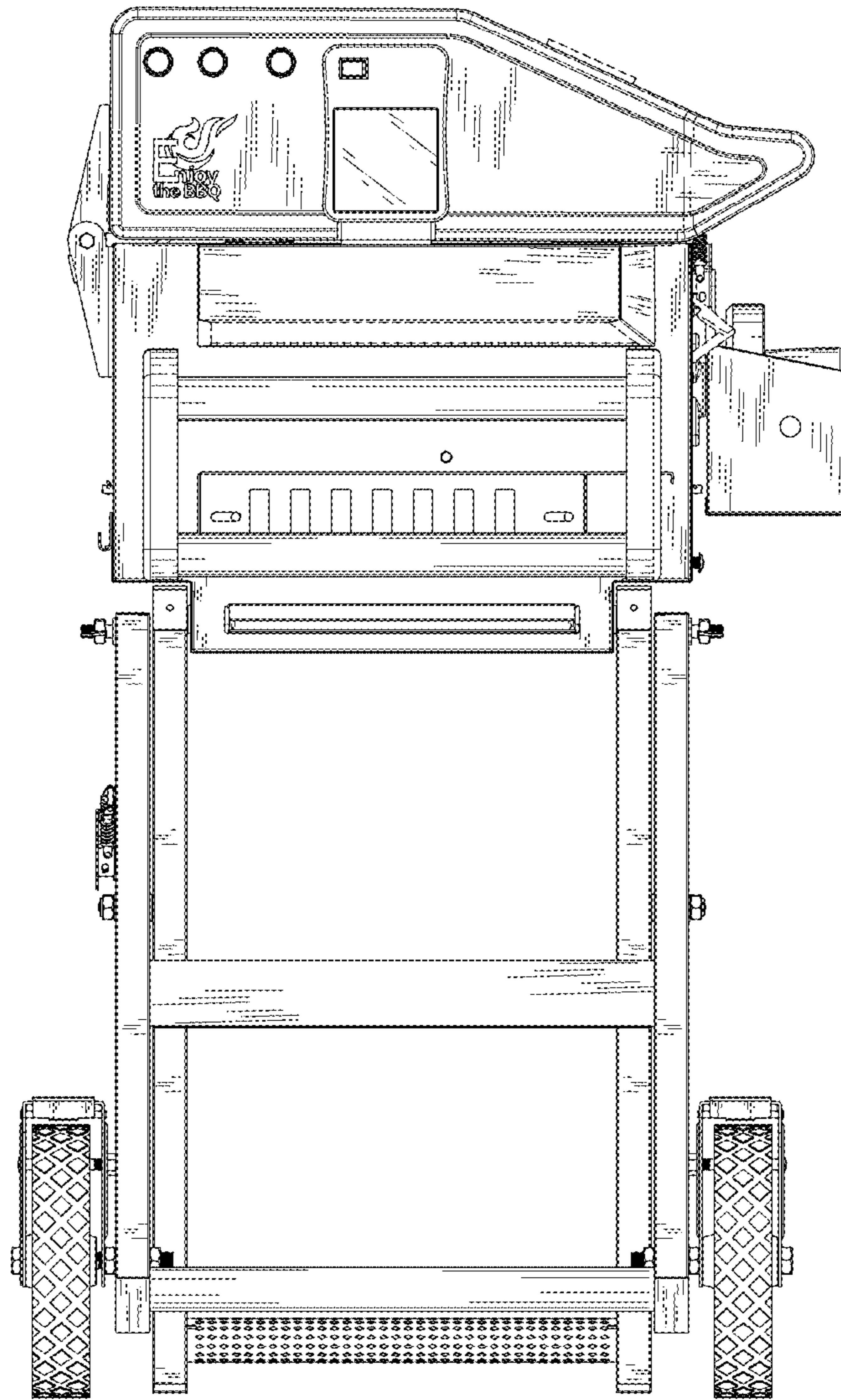


FIG. 3

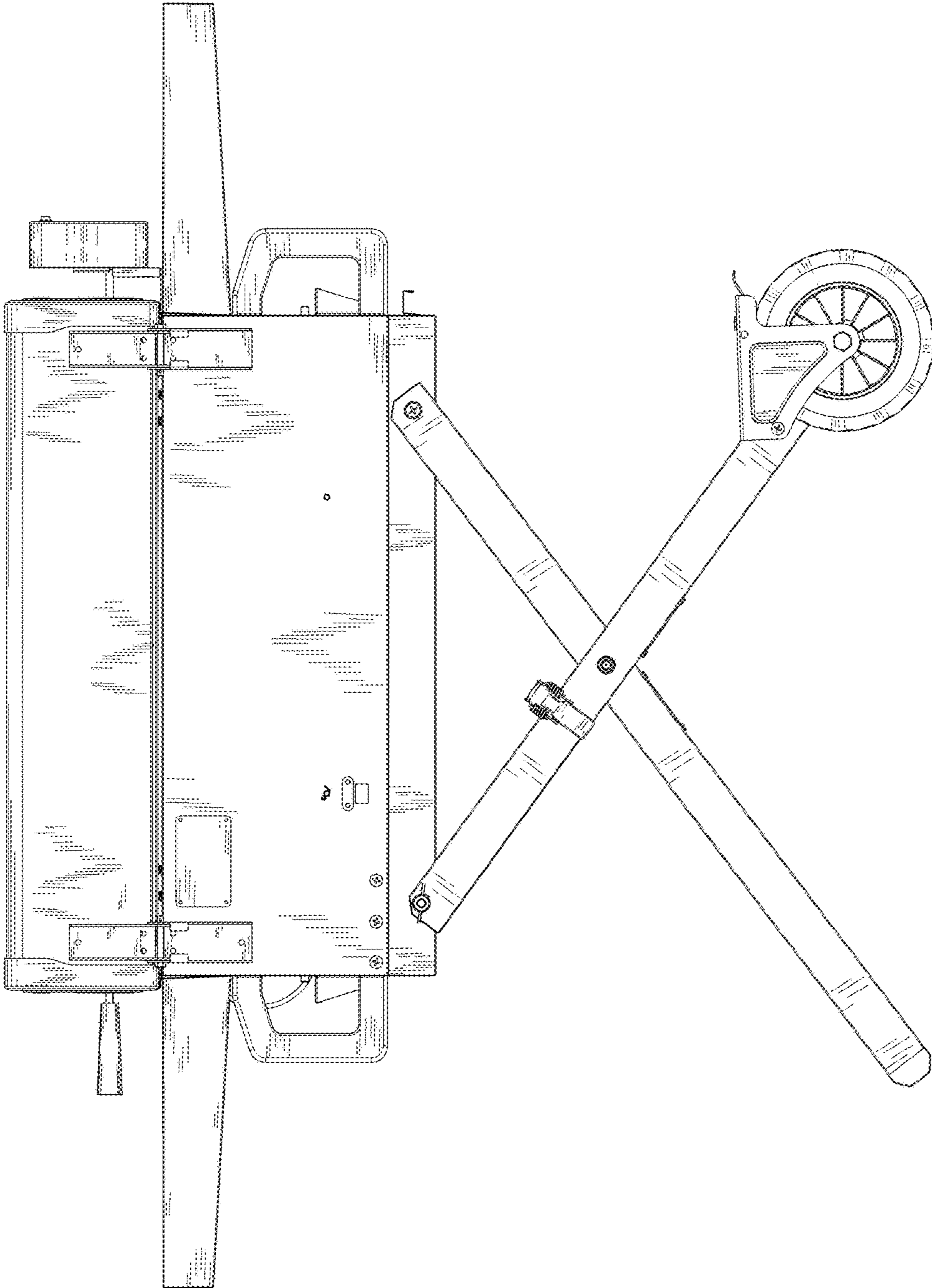


FIG. 4

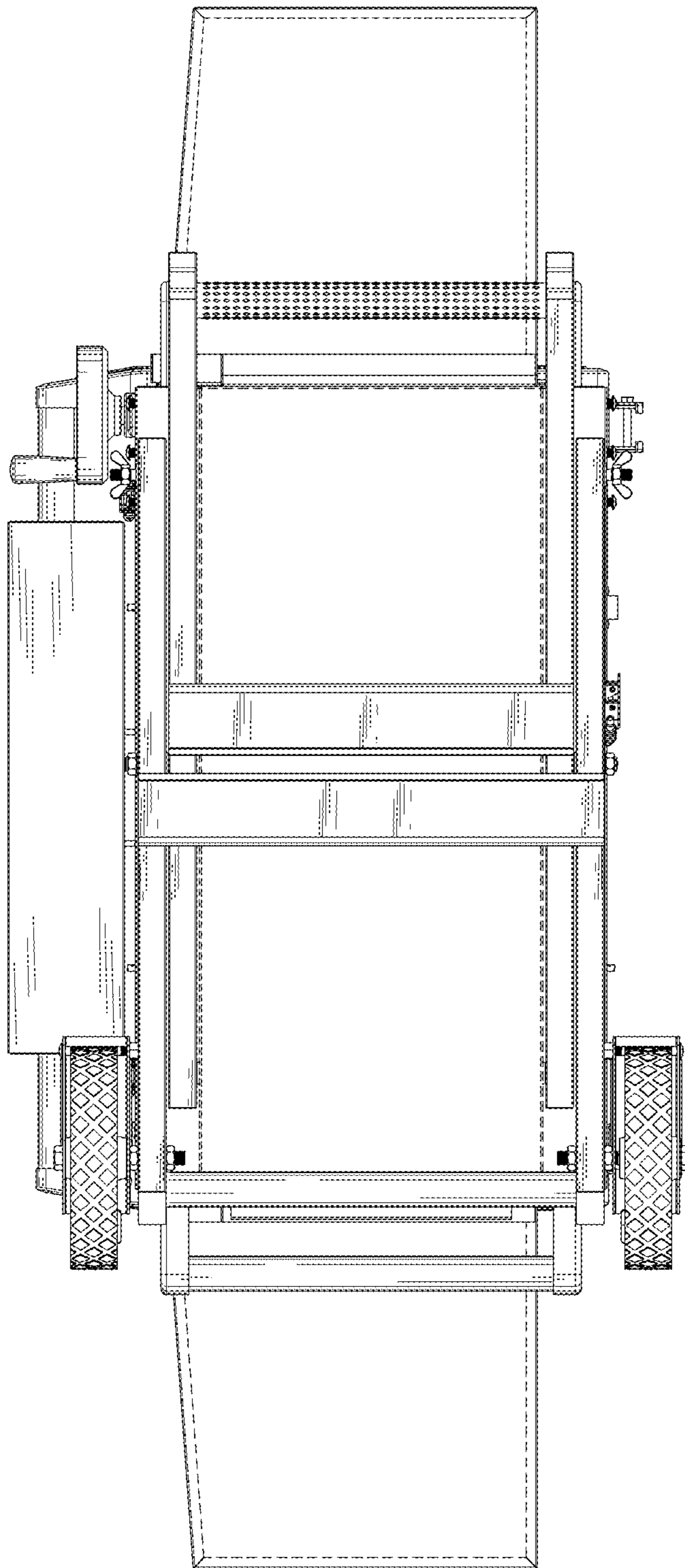


FIG. 5

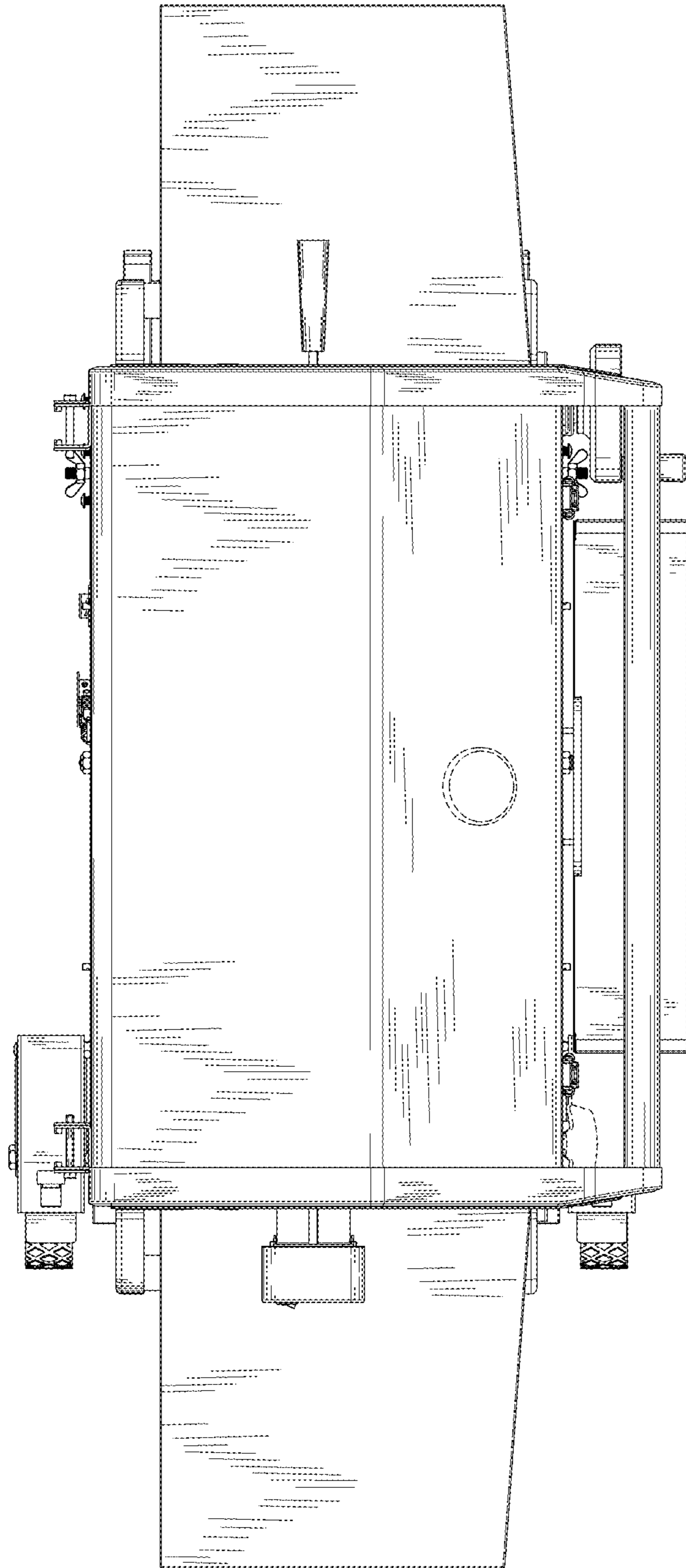


FIG. 6

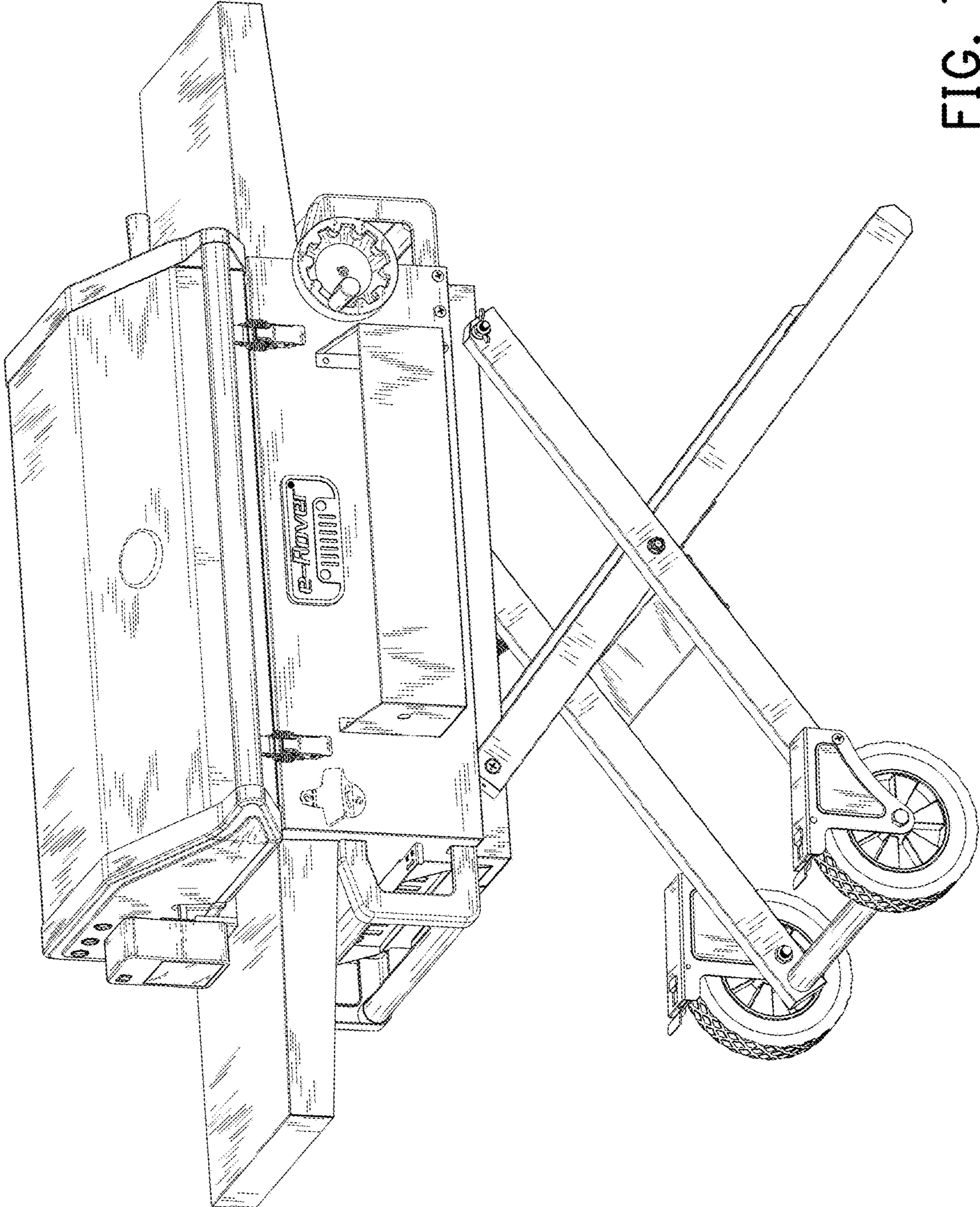


FIG. 7

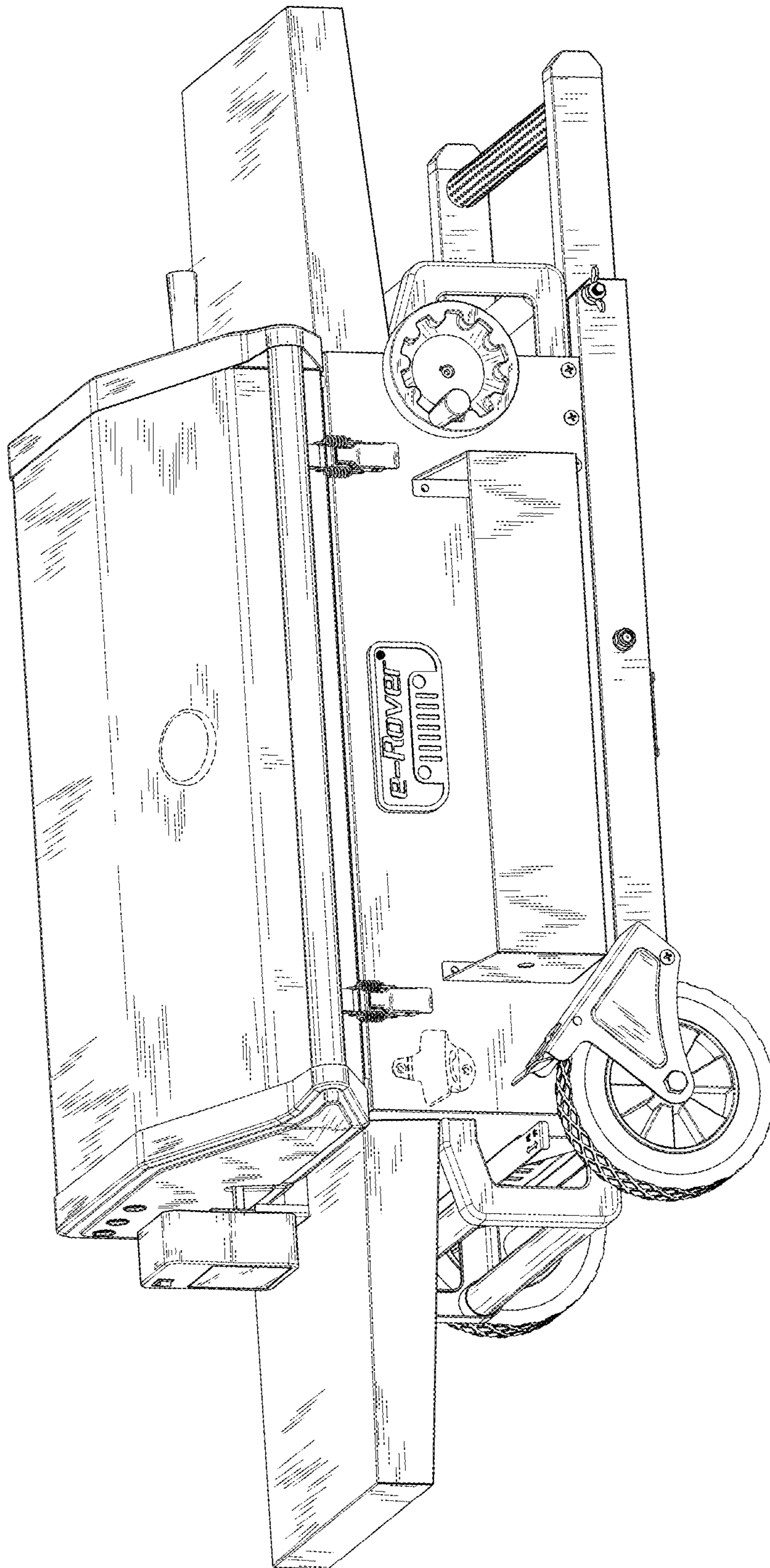


FIG. 8

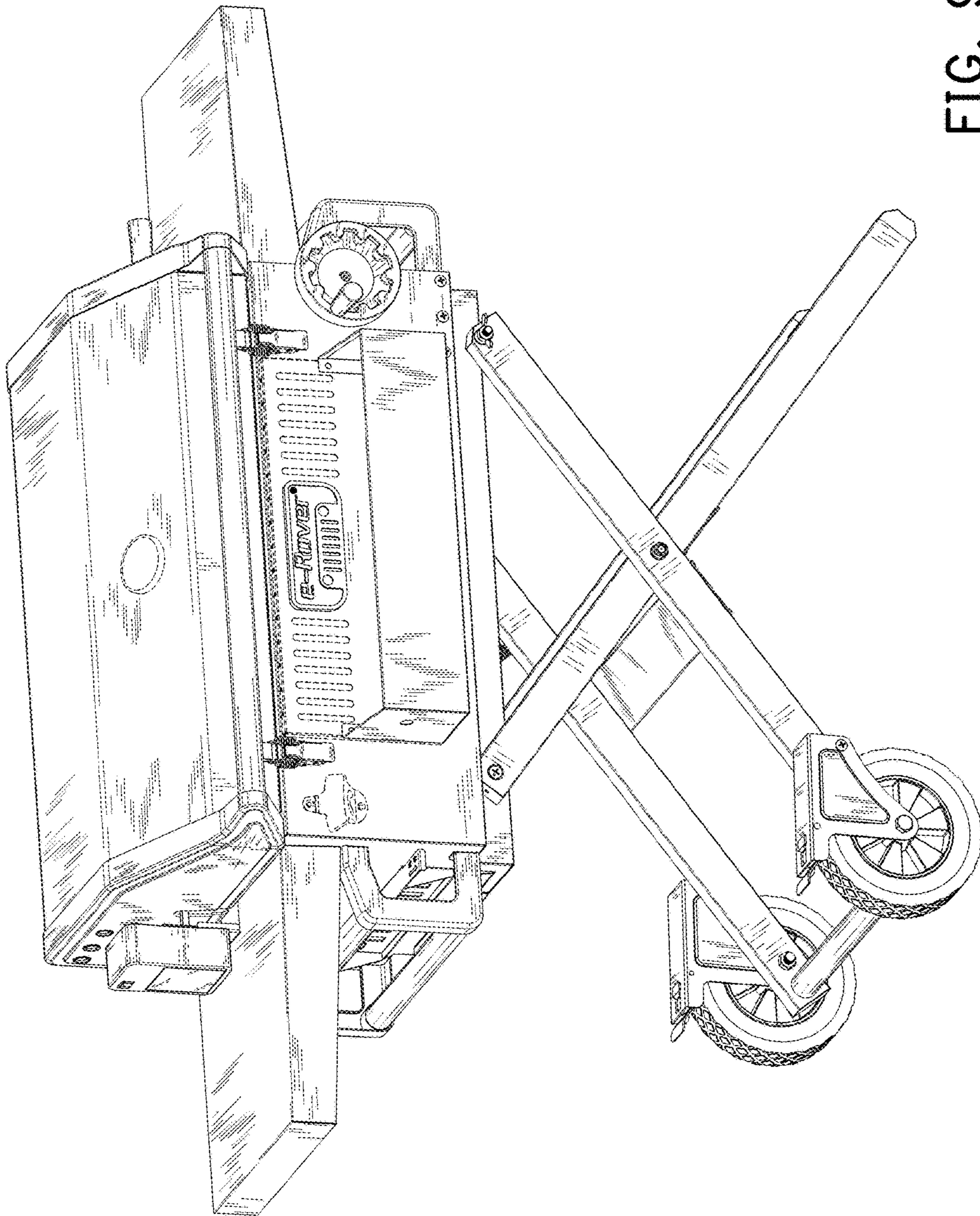


FIG. 9

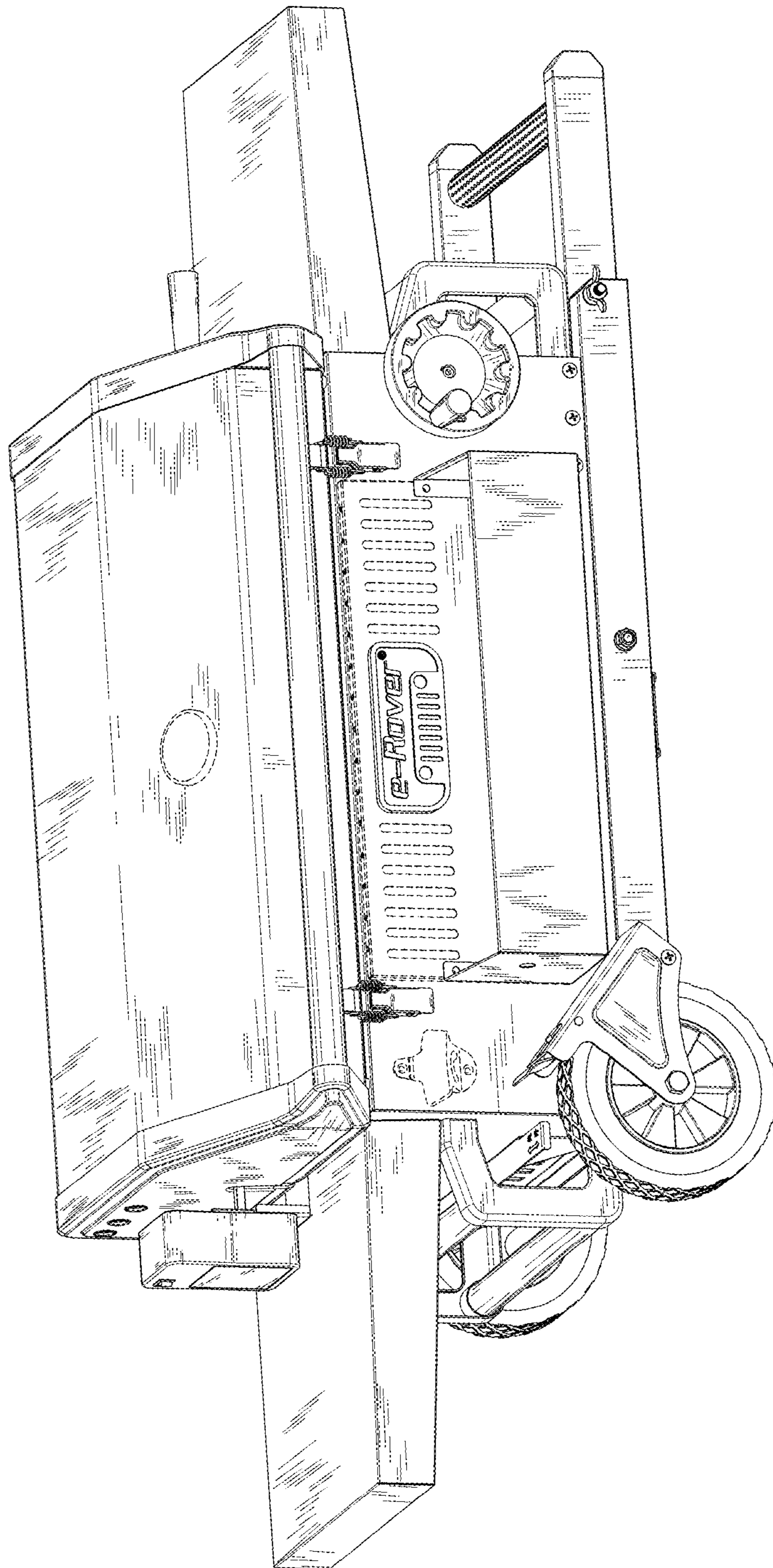


FIG. 10

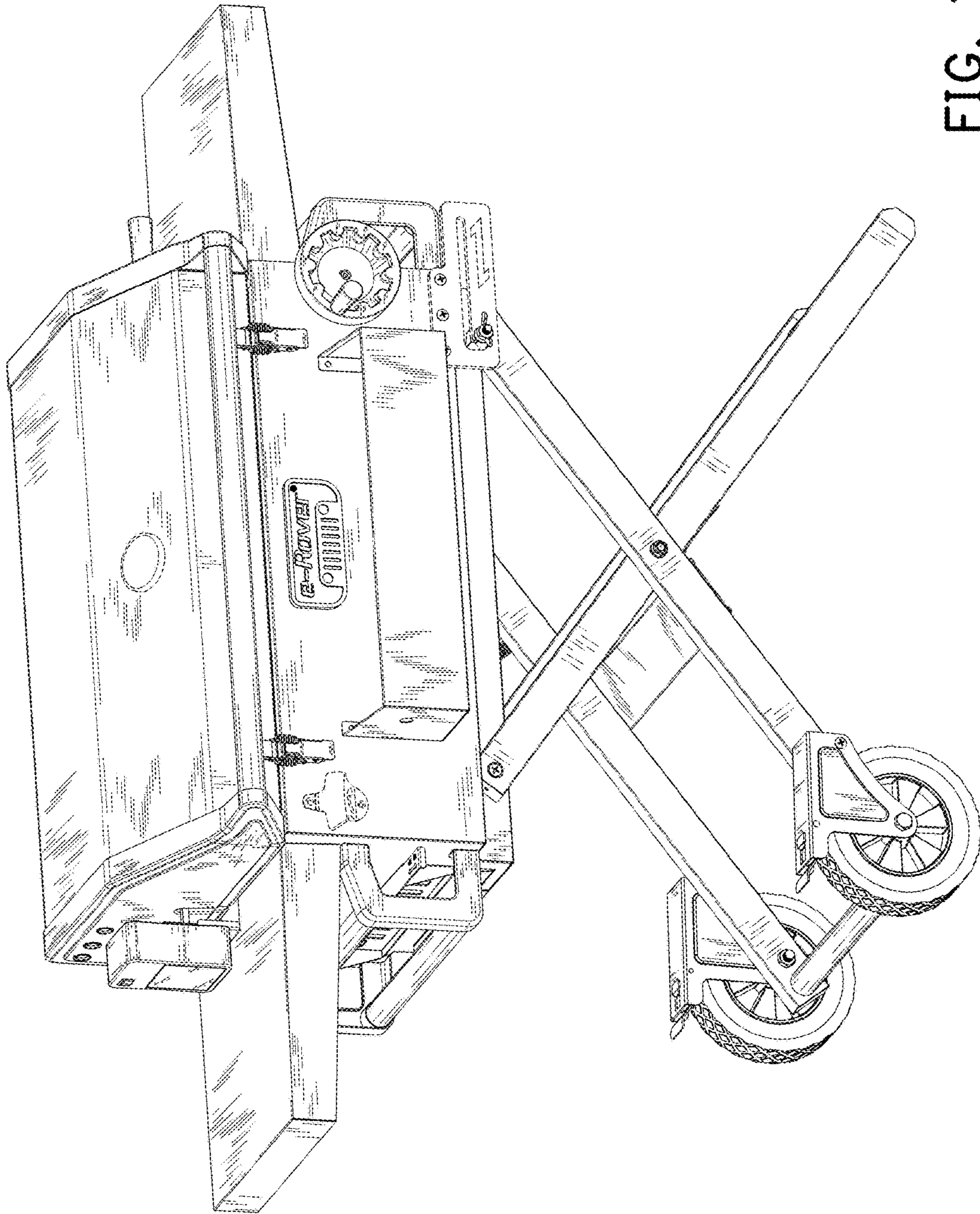


FIG. 11

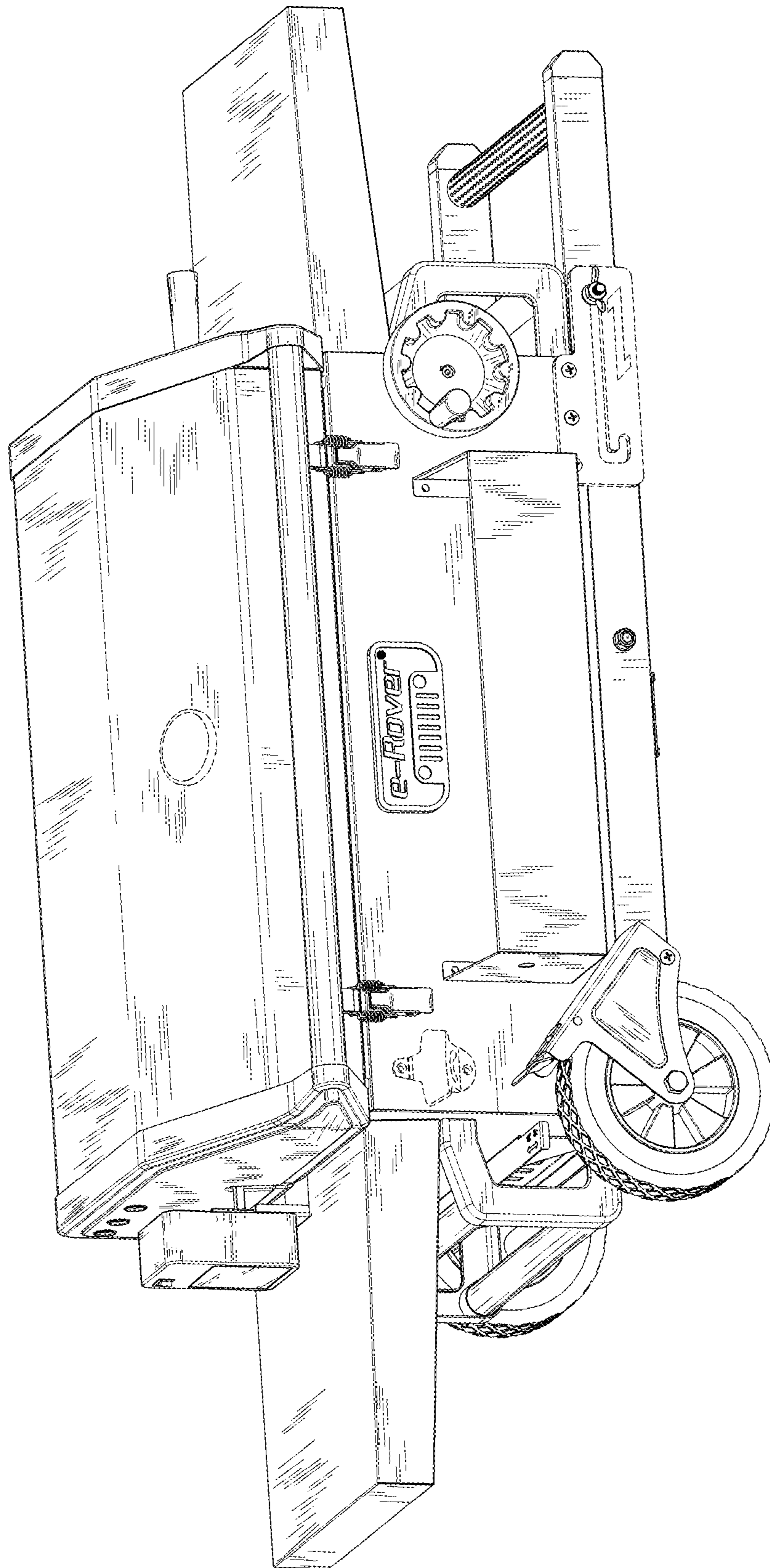


FIG. 12