



US00D809846S

(12) **United States Design Patent**
Legras

(10) **Patent No.:** **US D809,846 S**

(45) **Date of Patent:** **** Feb. 13, 2018**

(54) **BARBECUE**

(71) Applicant: **CREAT'AIRE**, La Possonniere (FR)

(72) Inventor: **Philippe Legras**, La Possonniere (FR)

(73) Assignee: **CREAT'AIRE**, La Possonniere (FR)

(**) Term: **14 Years**

(21) Appl. No.: **29/525,121**

(22) Filed: **Apr. 27, 2015**

(30) **Foreign Application Priority Data**

Oct. 27, 2014 (EM) 002564633-0001

(51) **LOC (11) Cl.** **07-02**

(52) **U.S. Cl.**
USPC **D7/332**

(58) **Field of Classification Search**
USPC D7/332-337, 402, 323, 327, 339-341;
D34/12, 17, 19, 20
CPC A47J 37/0704; A47J 37/0786; A47J
37/0763; A47J 37/0713; A47J 37/0781;
A47J 2037/0777; A47J 33/00; F24C 3/14;
F24C 7/10; F24C 15/18; F24C 15/12;
F24B 1/207

See application file for complete search history.

(56) **References Cited**

U.S. PATENT DOCUMENTS

D188,641 S * 8/1960 Christenson D7/332
3,221,137 A * 11/1965 Madden A47B 31/001
219/218
3,277,881 A * 10/1966 Bruns A47B 31/001
126/40
3,491,744 A * 1/1970 Von Kohorn, Jr. . A47J 37/0781
126/25 R
3,745,303 A * 7/1973 Epperson A47J 37/0781
108/25
D233,499 S * 11/1974 Sakata D7/339

D286,002 S * 10/1986 Brix D7/332
D299,305 S * 1/1989 Vollborn D7/332
5,168,796 A * 12/1992 Porton A47J 37/0781
108/50.13
D361,693 S * 8/1995 Burke D7/332
5,655,435 A * 8/1997 Rachesky A47J 37/0781
126/25 R
D449,490 S * 10/2001 Frederick D7/332
D580,209 S * 11/2008 Chiang D7/332
D590,201 S * 4/2009 Zagar D7/335
D618,033 S * 6/2010 Maire D7/334
D624,781 S * 10/2010 Allen D7/332
2008/0257334 A1 * 10/2008 Brunner A47J 37/0713
126/39 R
2010/0275898 A1 * 11/2010 Jansson A47J 37/0786
126/25 R

* cited by examiner

Primary Examiner — Susan Bennett Hattan

Assistant Examiner — Brett Miller

(74) *Attorney, Agent, or Firm* — Fross Zelnick Lehrman
& Zissu P.C.; Charles T. J. Weigell

(57) **CLAIM**

The ornamental design for a barbecue, as shown and described.

DESCRIPTION

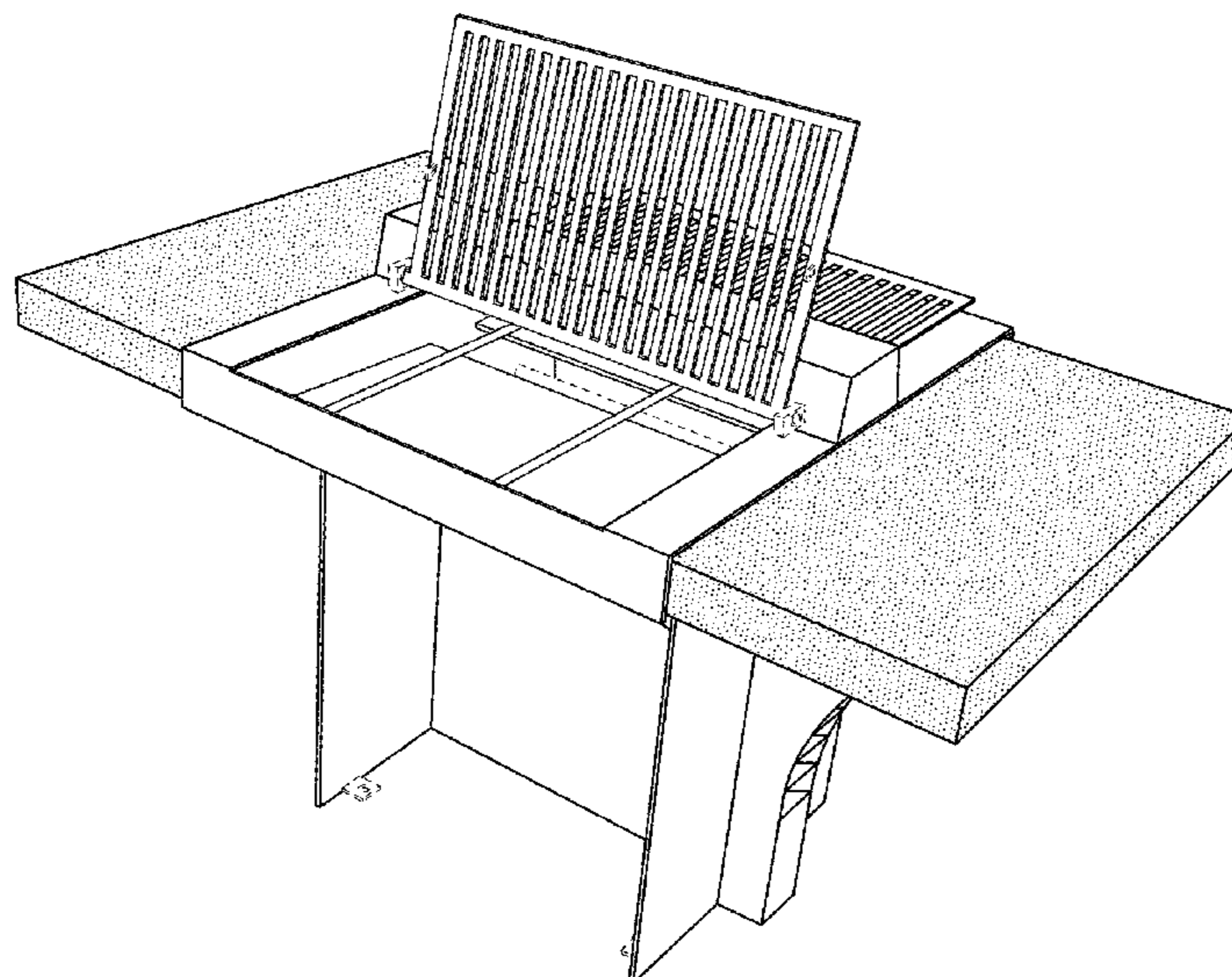
FIG. 1 is a front perspective view of a barbecue showing the new design;

FIG. 2 is a left side view thereof (with the right side view being a mirror image); and,

FIG. 3 is a front side view thereof (with the rear side view being a mirror image apart from the positions of the grill grates).

The broken lines in the drawings showing the bolts, brackets, and rectangular portions of the barbecue forms no part of the claimed design.

1 Claim, 3 Drawing Sheets



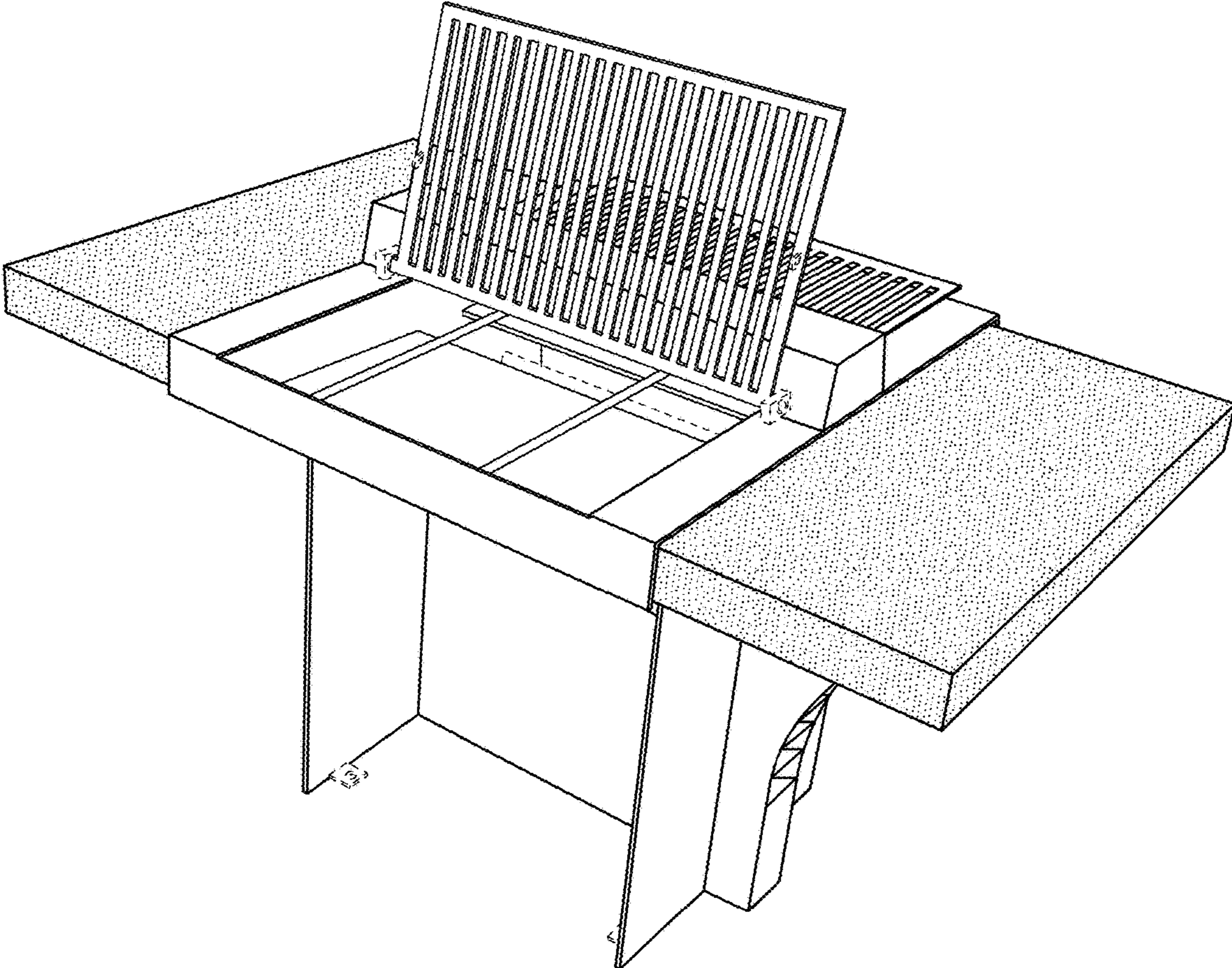


FIG. 1

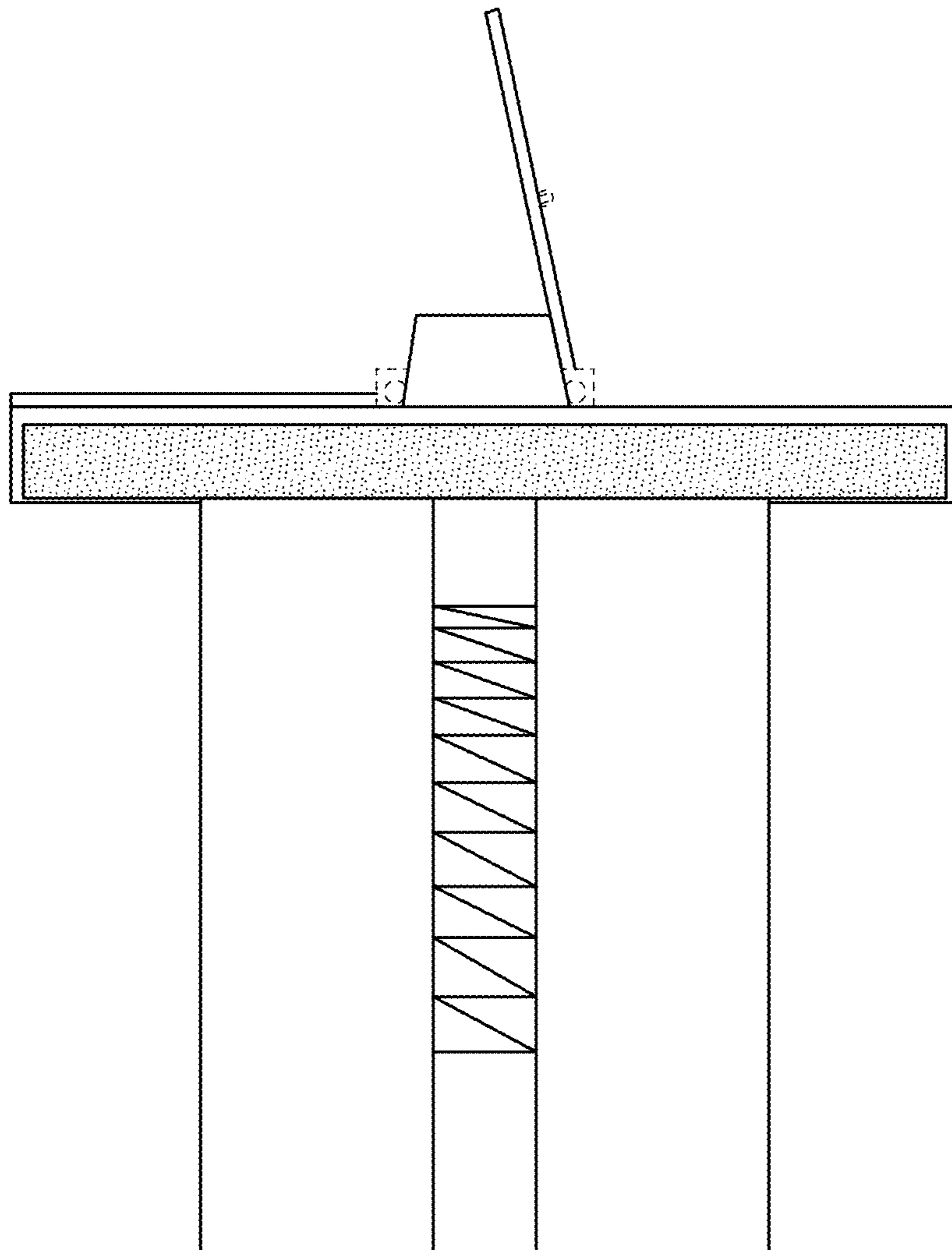


FIG. 2

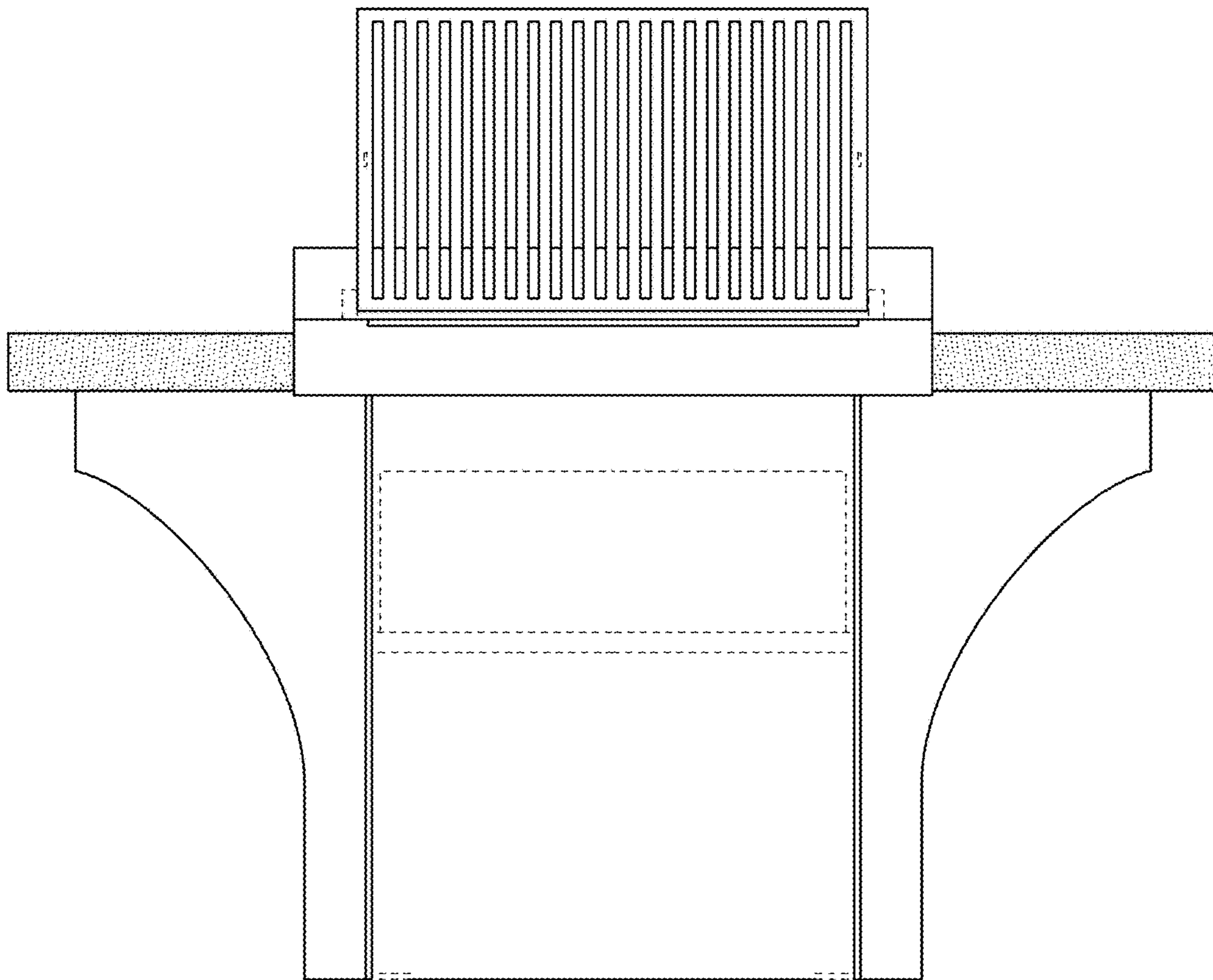


FIG. 3