



US00D809845S

(12) **United States Design Patent** (10) **Patent No.:** **US D809,845 S**
Marchitello (45) **Date of Patent:** **** Feb. 13, 2018**

(54) **WATER DISPENSING SYSTEM**
(71) Applicant: **Amanda Marchitello**, Morrisville, NC (US)
(72) Inventor: **Amanda Marchitello**, Morrisville, NC (US)
(**) Term: **15 Years**

D436,282 S *	1/2001	Kauzlarich	D7/306
D442,813 S *	5/2001	Andersson	D6/545
D443,782 S *	6/2001	Kauzlarich	D6/545
D634,142 S *	3/2011	Meyerhoffer	D6/545
D639,591 S *	6/2011	Wallace	D6/545
D650,625 S *	12/2011	Fiori	D7/306
D662,743 S *	7/2012	Meyerhoffer	D6/545
D705,501 S *	5/2014	Li	D30/121
D711,178 S *	8/2014	Waugh	D3/202
D753,442 S *	4/2016	Weernink	D7/507
D773,850 S *	12/2016	Schalitz	D6/542

(21) Appl. No.: **29/538,792**
(22) Filed: **Sep. 8, 2015**
(51) **LOC (11) Cl.** **07-01**
(52) **U.S. Cl.**
USPC **D7/306**; D7/313; D30/132; D6/545
(58) **Field of Classification Search**
USPC D7/305-311, 313; D15/82; 222/129.1, 222/146.6, 153.03; 99/295; D30/121, D30/132; D6/545
CPC A47J 31/44; A47J 31/4403; A47J 31/46; B67D 1/36; B67D 2210/0065; B67D 1/0864; B65D 47/249
See application file for complete search history.

* cited by examiner
Primary Examiner — Marianne Pandozzi
(74) *Attorney, Agent, or Firm* — Crose Law LLC; Bradley D. Crose

(57) **CLAIM**
The ornamental design for a water dispensing system, as shown and described.

DESCRIPTION

FIG. 1 is a top perspective view of a water dispensing system, showing my design;
FIG. 2 is a bottom perspective view thereof;
FIG. 3 is a front view thereof;
FIG. 4 is a right side view thereof;
FIG. 5 is a back view thereof; and,
FIG. 6 is a top view thereof.
The broken lines shown in the drawings are included for the purpose of illustrating environmental structure and form no part of the claimed design.

(56) **References Cited**
U.S. PATENT DOCUMENTS
D247,392 S * 2/1978 Coleman D3/202
D293,402 S * 12/1987 Petterson D6/545
D297,086 S * 8/1988 Paphis D6/544
D349,827 S * 8/1994 Brandenburg D6/545
D416,418 S * 11/1999 Kampe D6/545

1 Claim, 2 Drawing Sheets

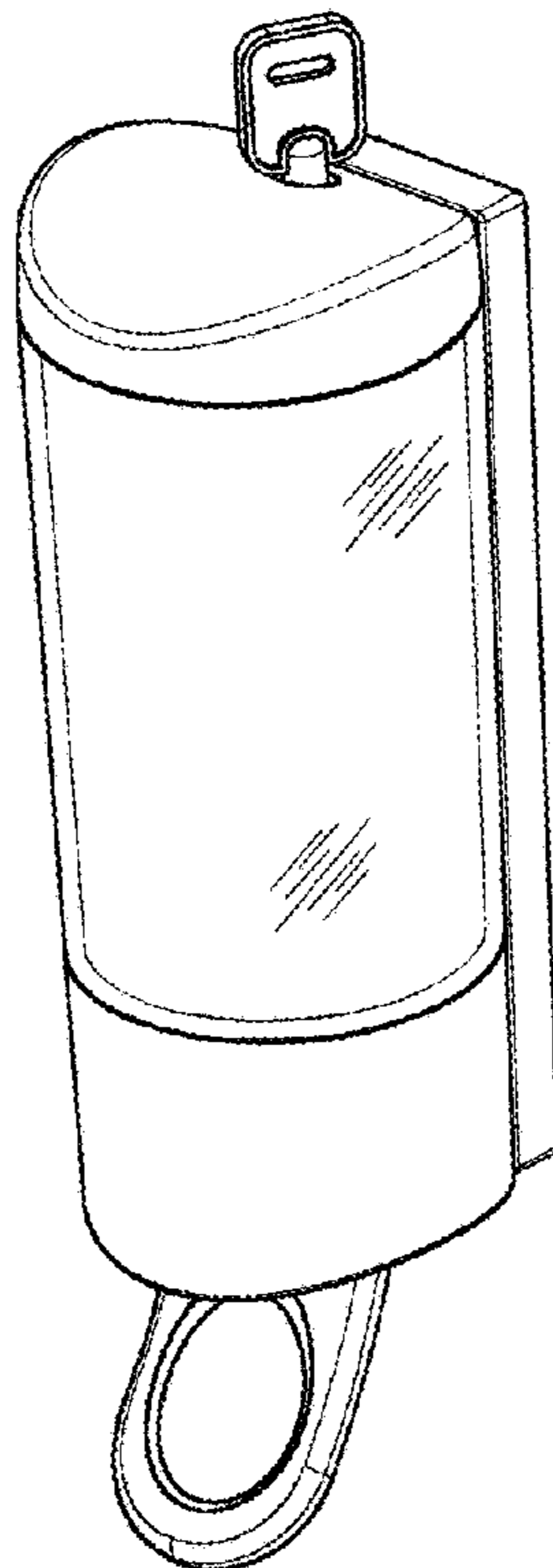


FIG. 2

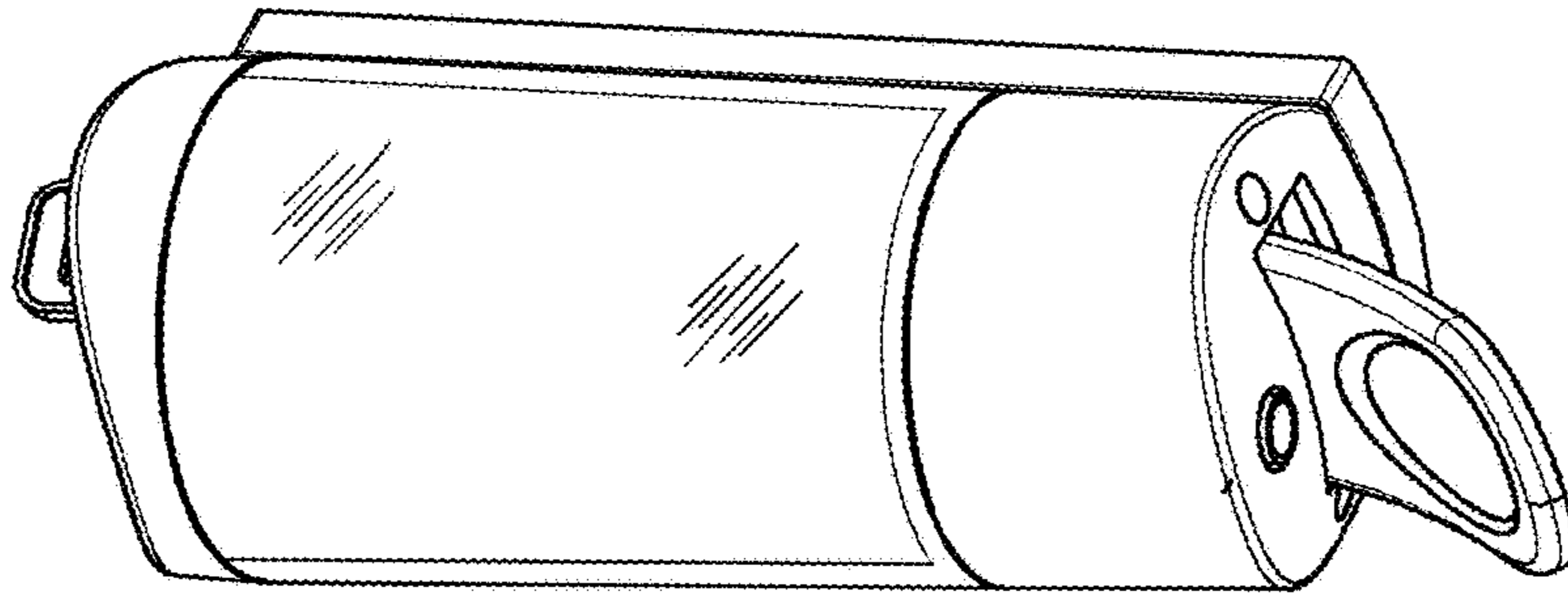
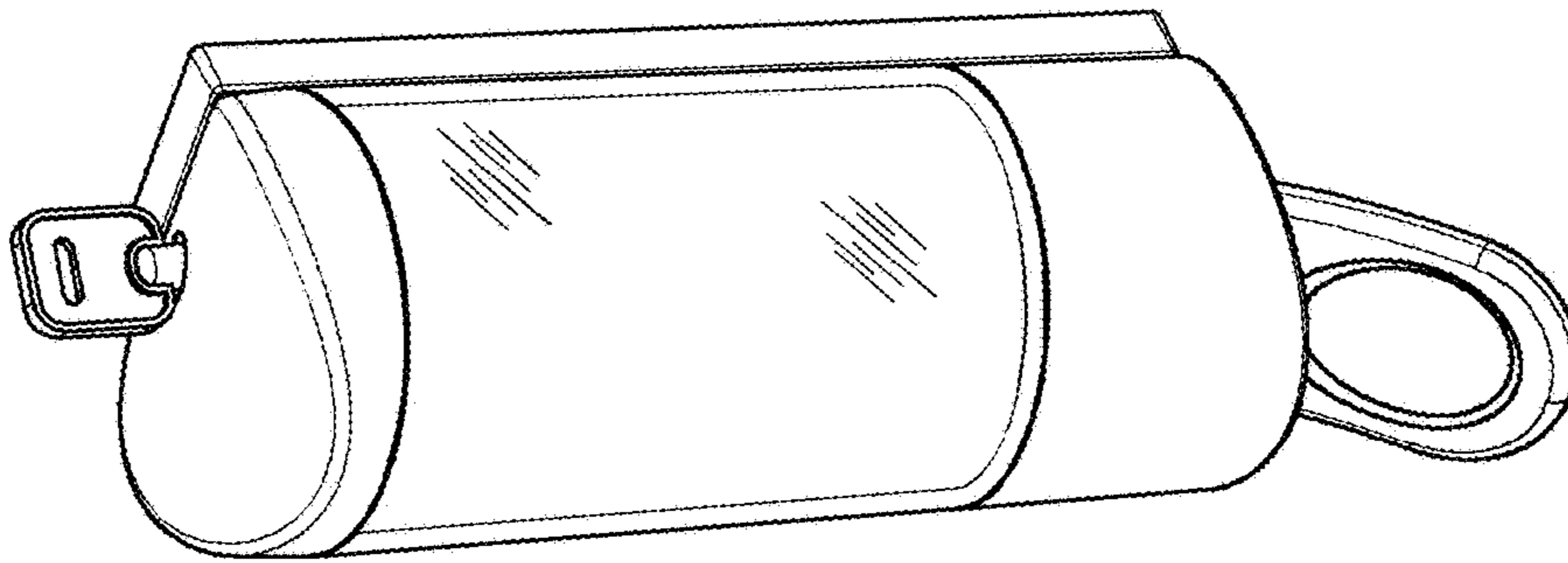


FIG. 1



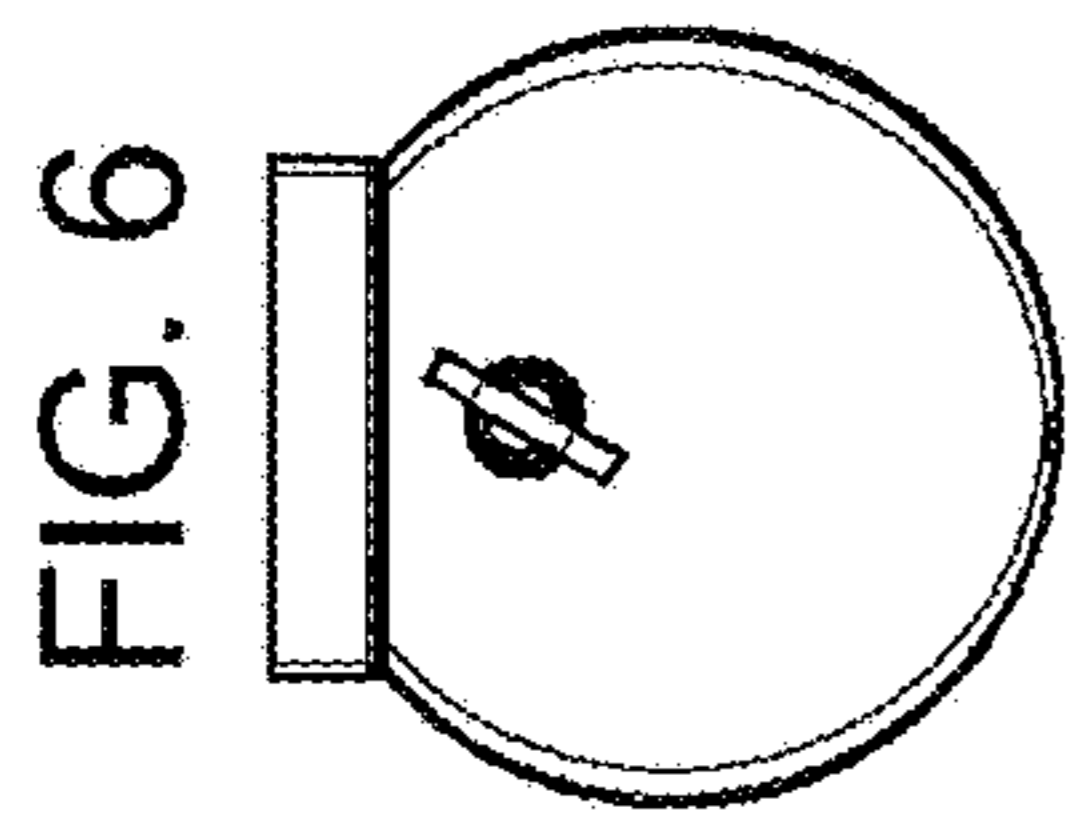


FIG. 3

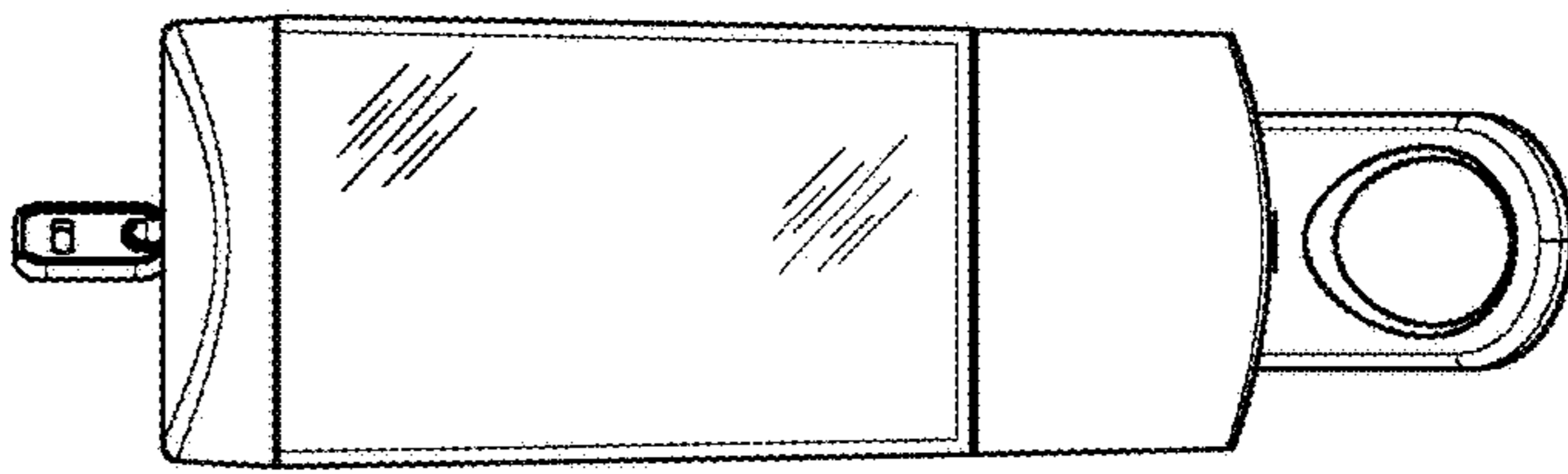


FIG. 4

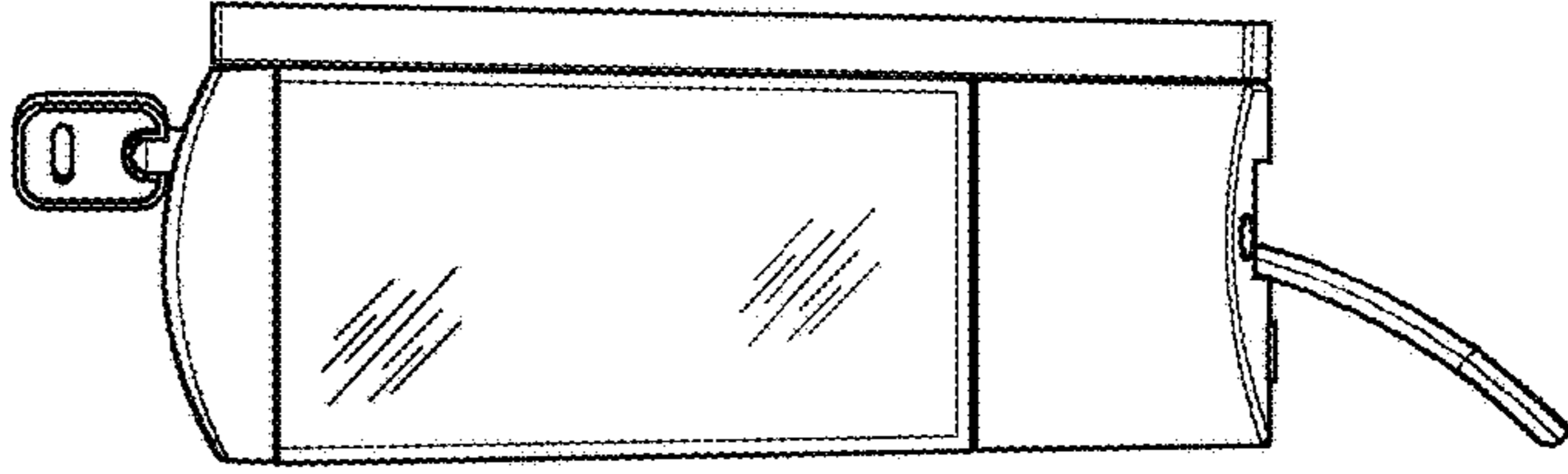


FIG. 5

