



US00D809844S

(12) **United States Design Patent**
Huang

(10) **Patent No.:** **US D809,844 S**

(45) **Date of Patent:** **** Feb. 13, 2018**

(54) **HAMMOCK STAND**

(71) Applicant: **Jinming Huang**, Yang Shan (CN)

(72) Inventor: **Jinming Huang**, Yang Shan (CN)

(73) Assignee: **Shenzhen Tuorantian Technology Co., Ltd**, Shenzhen (CN)

(**) Term: **15 Years**

(21) Appl. No.: **29/575,300**

(22) Filed: **Aug. 24, 2016**

(51) **LOC (11) Cl.** **06-06**

(52) **U.S. Cl.**

USPC **D6/718.12**; D6/387; D6/388

(58) **Field of Classification Search**

USPC D6/385-387, 718.1, 718.11, 718.12,
D6/719.1, 344, 347, 348, 388

CPC A45F 3/22; A45F 3/24; A45F 3/26

See application file for complete search history.

(56) **References Cited**

U.S. PATENT DOCUMENTS

D295,242 S *	4/1988	Frick	D6/387
D408,166 S *	4/1999	Bayless	D6/387
D682,000 S *	5/2013	Nguyen	D6/718.11
D688,062 S *	8/2013	Dao	D6/387

OTHER PUBLICATIONS

Holifine Guitar Hammock Review, David of SZ Home Art, Feb. 15, 2017, site visited Oct. 17, 2017, available online at <http://www.szhomeart.com/holifine-guitar-hammock-a-unique-guitar-shaped-design-allows-optimum-relaxation/> (Year: 2017).*

* cited by examiner

Primary Examiner — Cathron C Brooks

(57) **CLAIM**

The ornamental design for a hammock stand, as shown.

DESCRIPTION

FIG. 1 is a front elevational view of a hammock stand showing my new design;

FIG. 2 is a rear elevational view thereof;

FIG. 3 is a left side elevational view thereof;

FIG. 4 is a right side elevational view thereof;

FIG. 5 is a top plan view thereof;

FIG. 6 is a bottom plan view thereof;

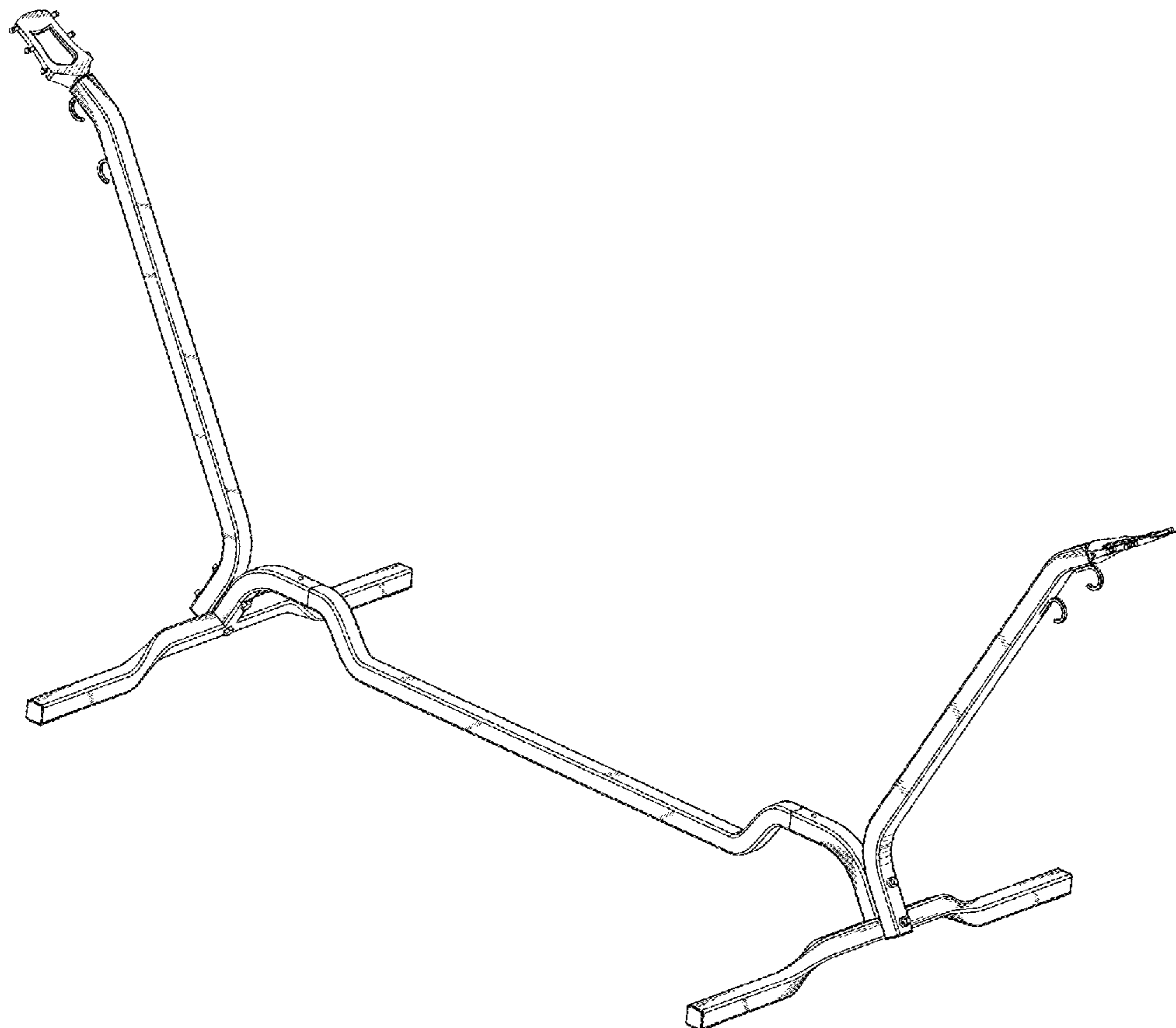
FIG. 7 is a front perspective view thereof; and,

FIG. 8 is another front perspective view thereof, shown with a hammock.

The broken line showing of a hammock illustrates environmental subject matter and forms no part of the claimed design.

The claimed hammock stand is used to hang a hammock.

1 Claim, 5 Drawing Sheets



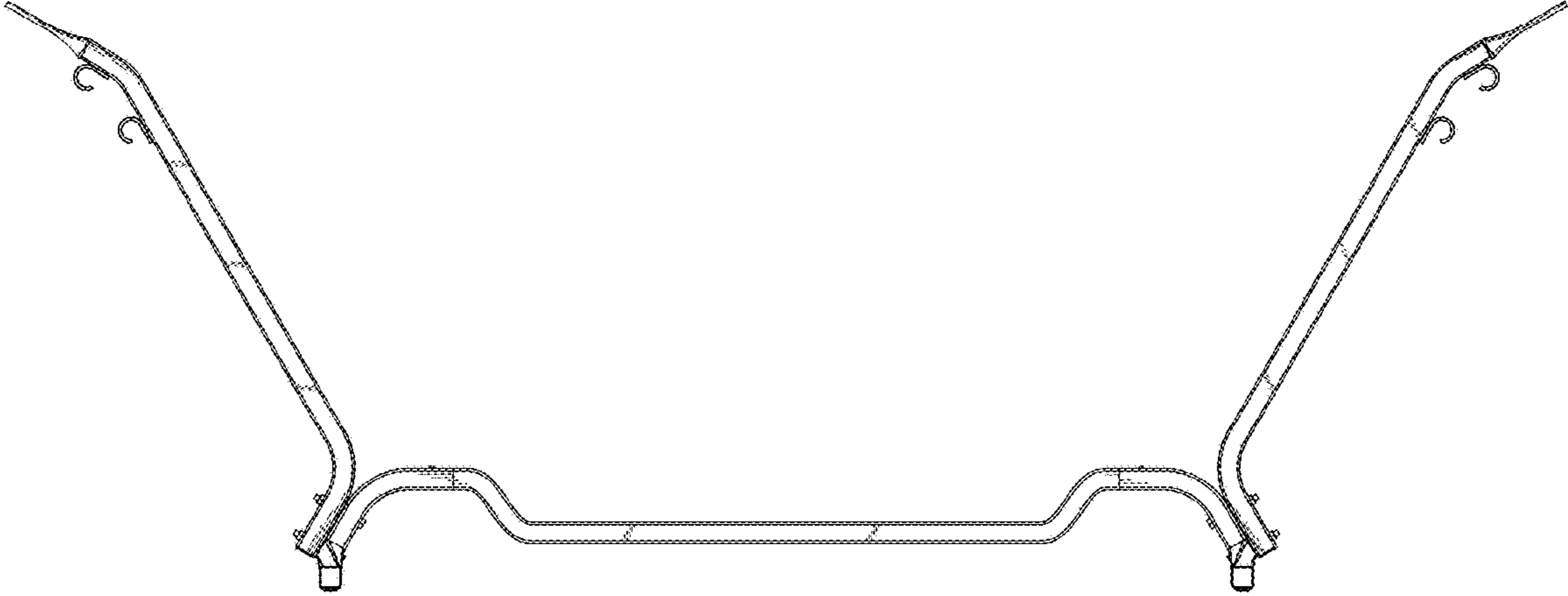


FIG.1

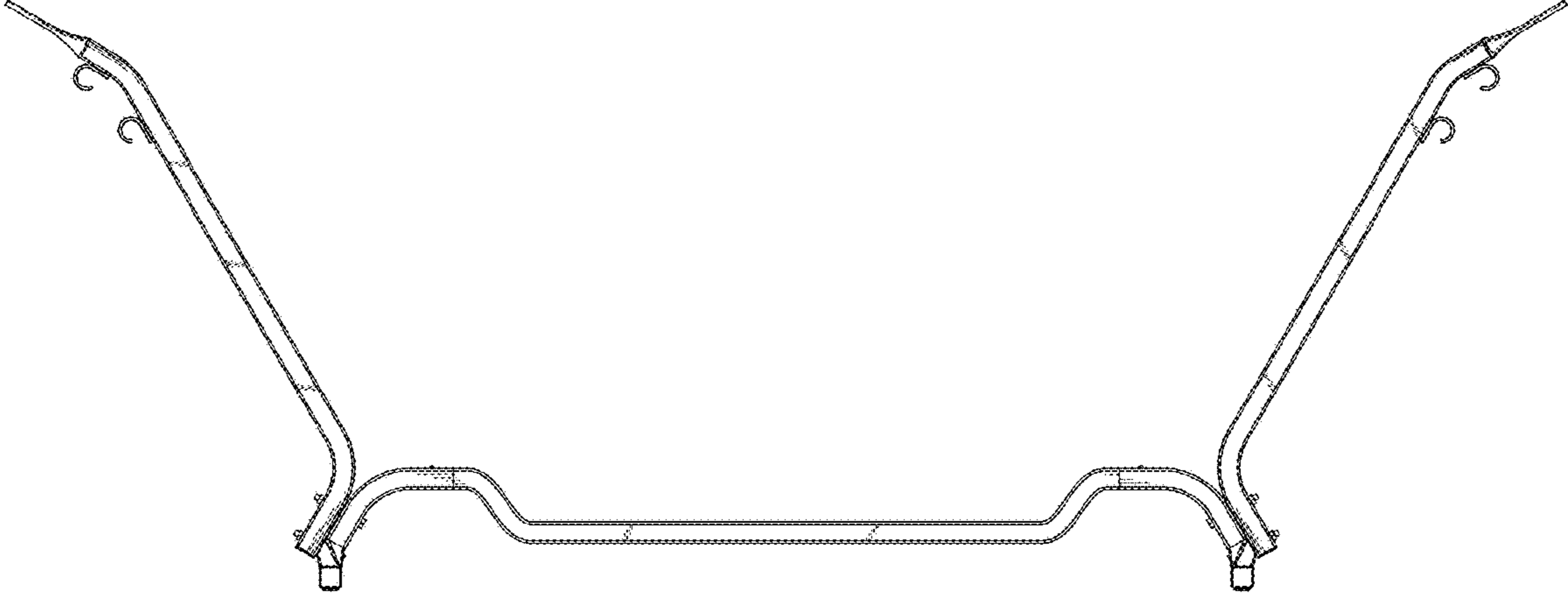


FIG.2

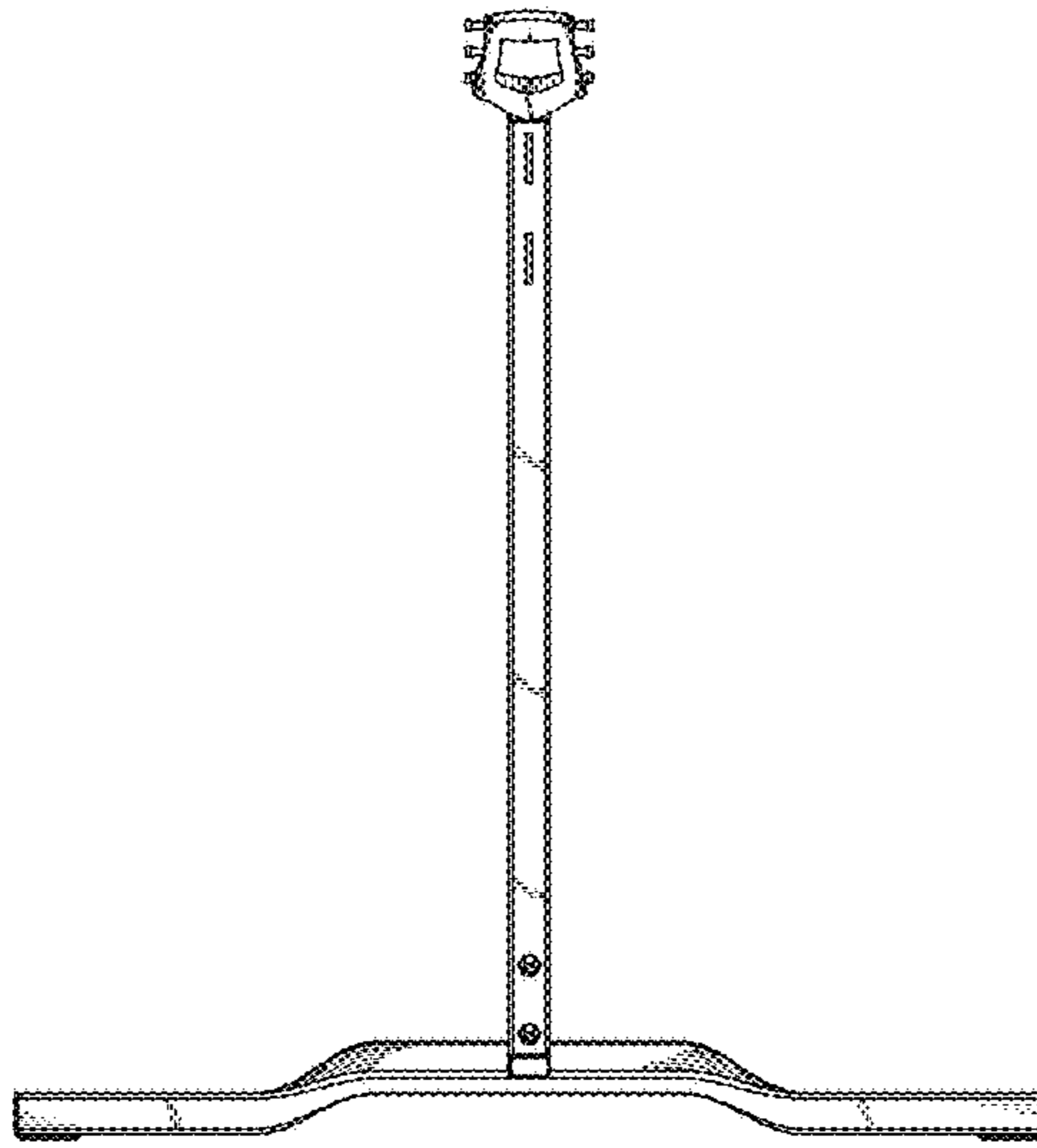


FIG.3

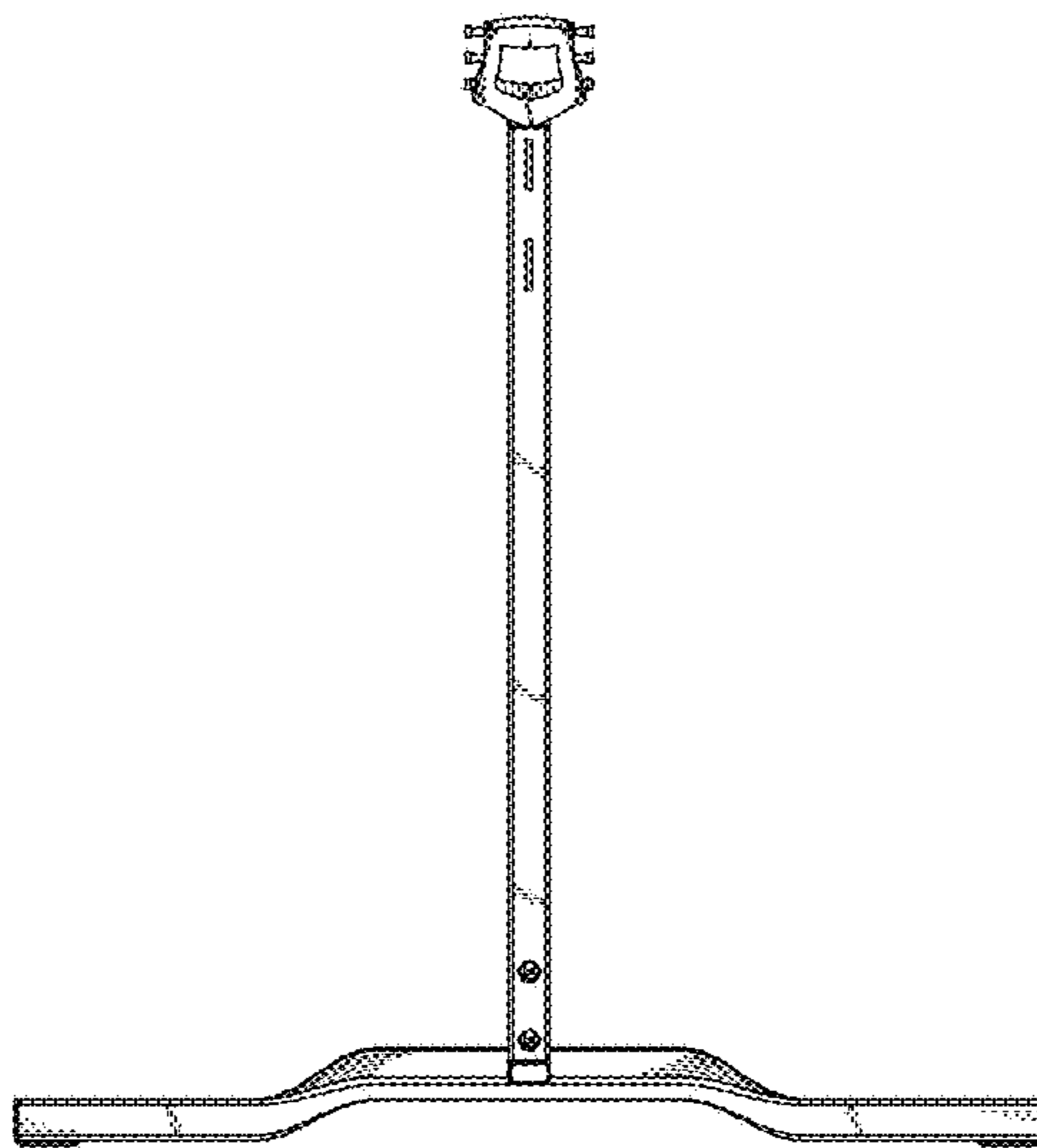


FIG.4

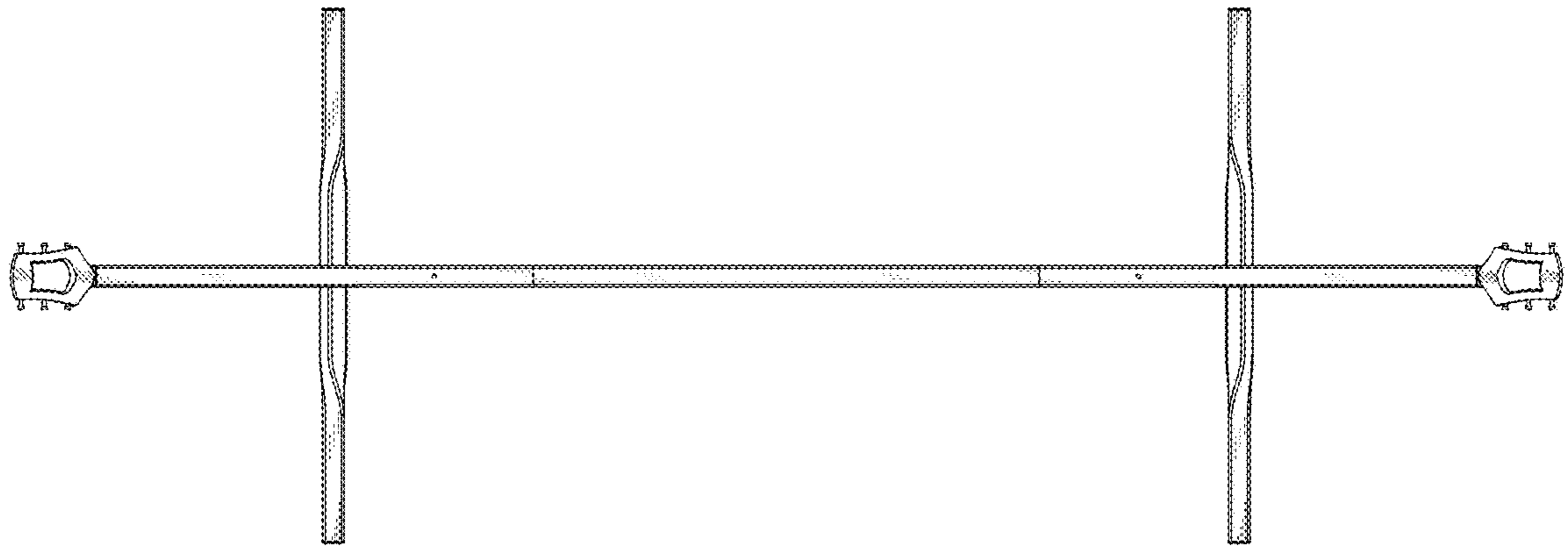


FIG. 5

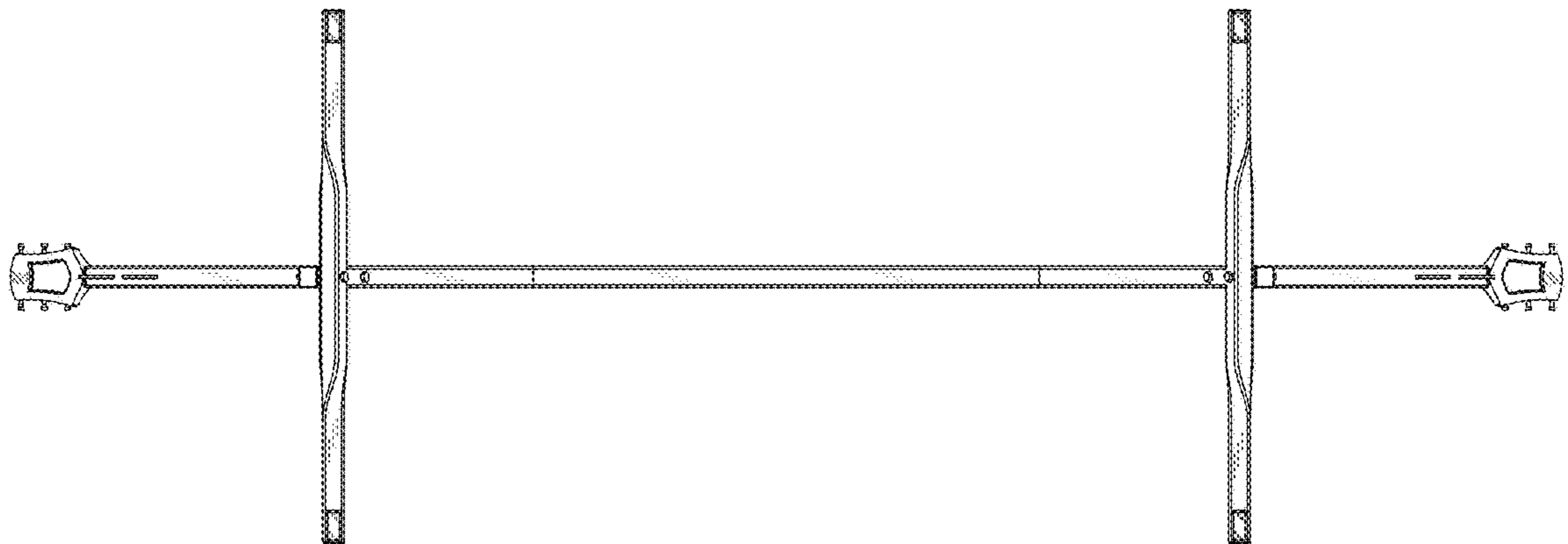


FIG. 6

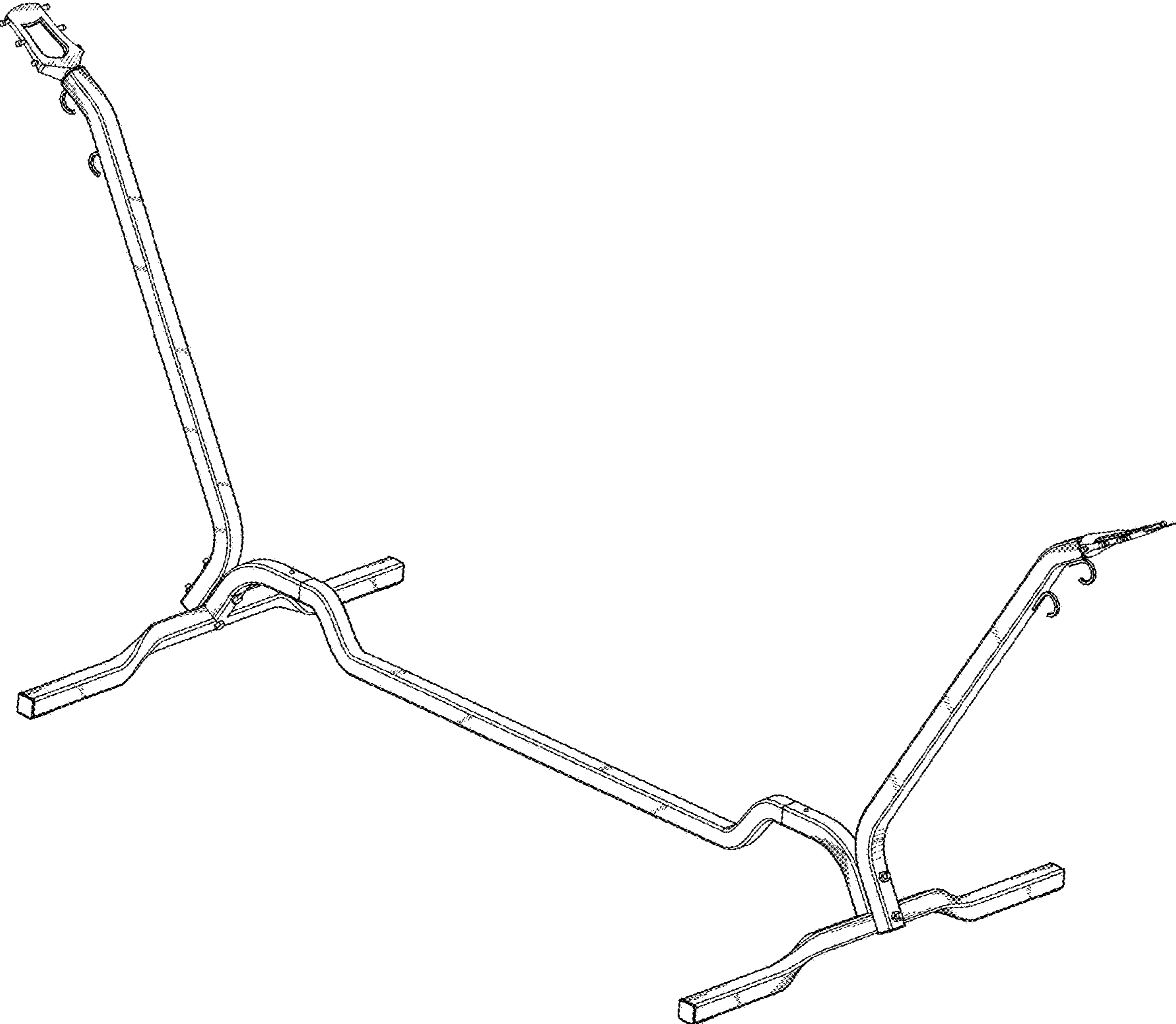


FIG.7

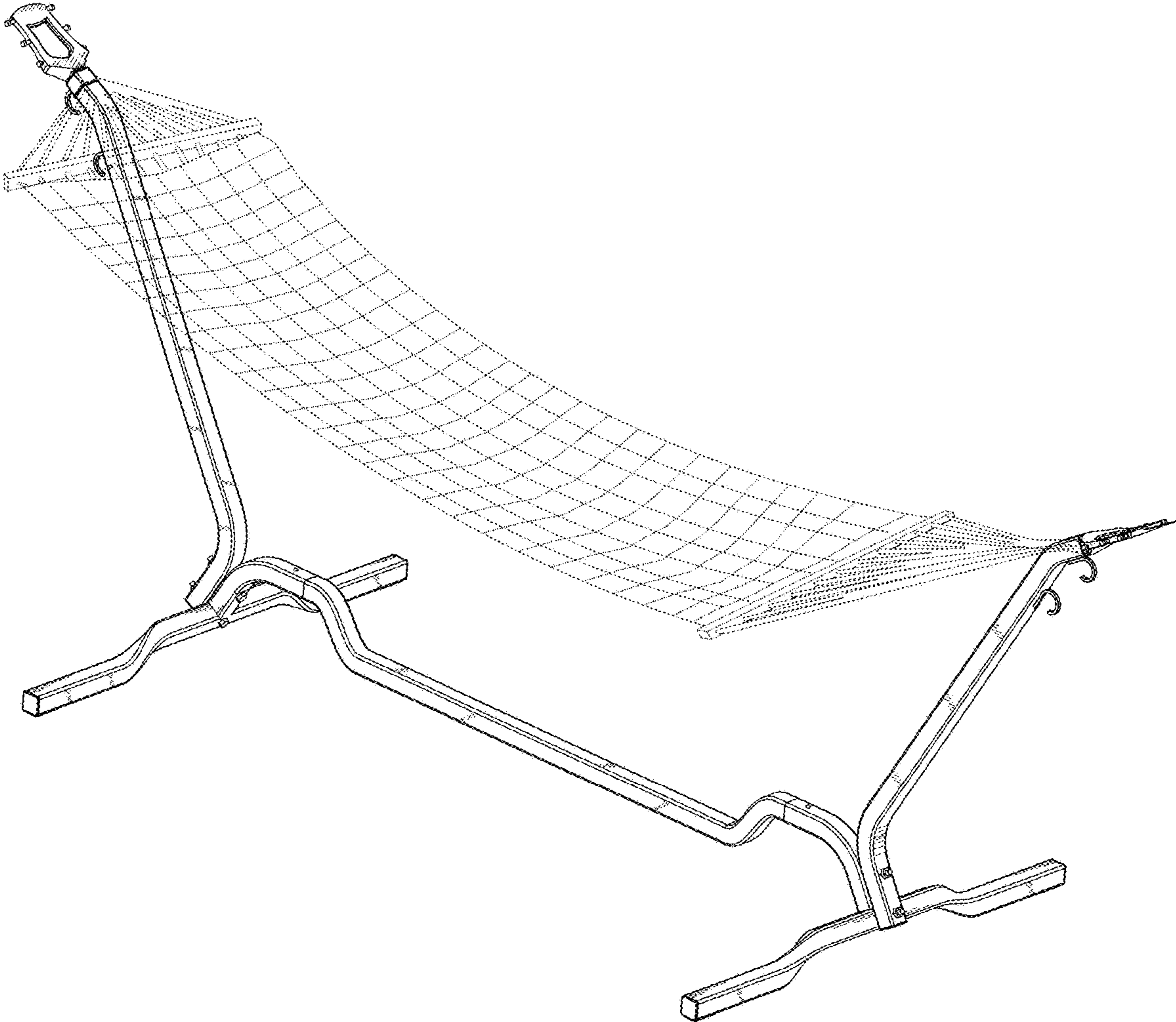


FIG.8