



US00D809843S

(12) **United States Design Patent**  
**Keeley et al.**

(10) **Patent No.:** **US D809,843 S**  
(45) **Date of Patent:** **\*\* Feb. 13, 2018**

- (54) **BED FOUNDATION**
- (71) Applicant: **Select Comfort Corporation**,  
Minneapolis, MN (US)
- (72) Inventors: **Natalie Keeley**, Minneapolis, MN (US);  
**Michael Bates**, Stillwater, MN (US)
- (73) Assignee: **Sleep Number Corporation**,  
Minneapolis, MN (US)
- (\*\*) Term: **15 Years**
- (21) Appl. No.: **29/583,879**
- (22) Filed: **Nov. 9, 2016**
- (51) **LOC (11) Cl.** ..... **06-06**
- (52) **U.S. Cl.**  
USPC ..... **D6/718**
- (58) **Field of Classification Search**  
USPC ..... D6/382-384, 393, 718, 709, 605, 606  
CPC ..... A47C 19/00; A47C 19/02; A47C 19/021;  
A47C 19/024; A47C 19/12; A47C  
19/122; A47C 27/08  
See application file for complete search history.

D300,194 S 3/1989 Walker  
4,829,616 A 5/1989 Walker  
4,890,344 A 1/1990 Walker  
(Continued)

**OTHER PUBLICATIONS**

U.S. Appl. No. 14/885,751, filed Oct. 16, 2015, Palashewski et al.  
(Continued)

*Primary Examiner* — Cathron C Brooks

(74) *Attorney, Agent, or Firm* — Fish & Richardson P.C.

(57) **CLAIM**

The ornamental design for a bed foundation, as shown and described.

**DESCRIPTION**

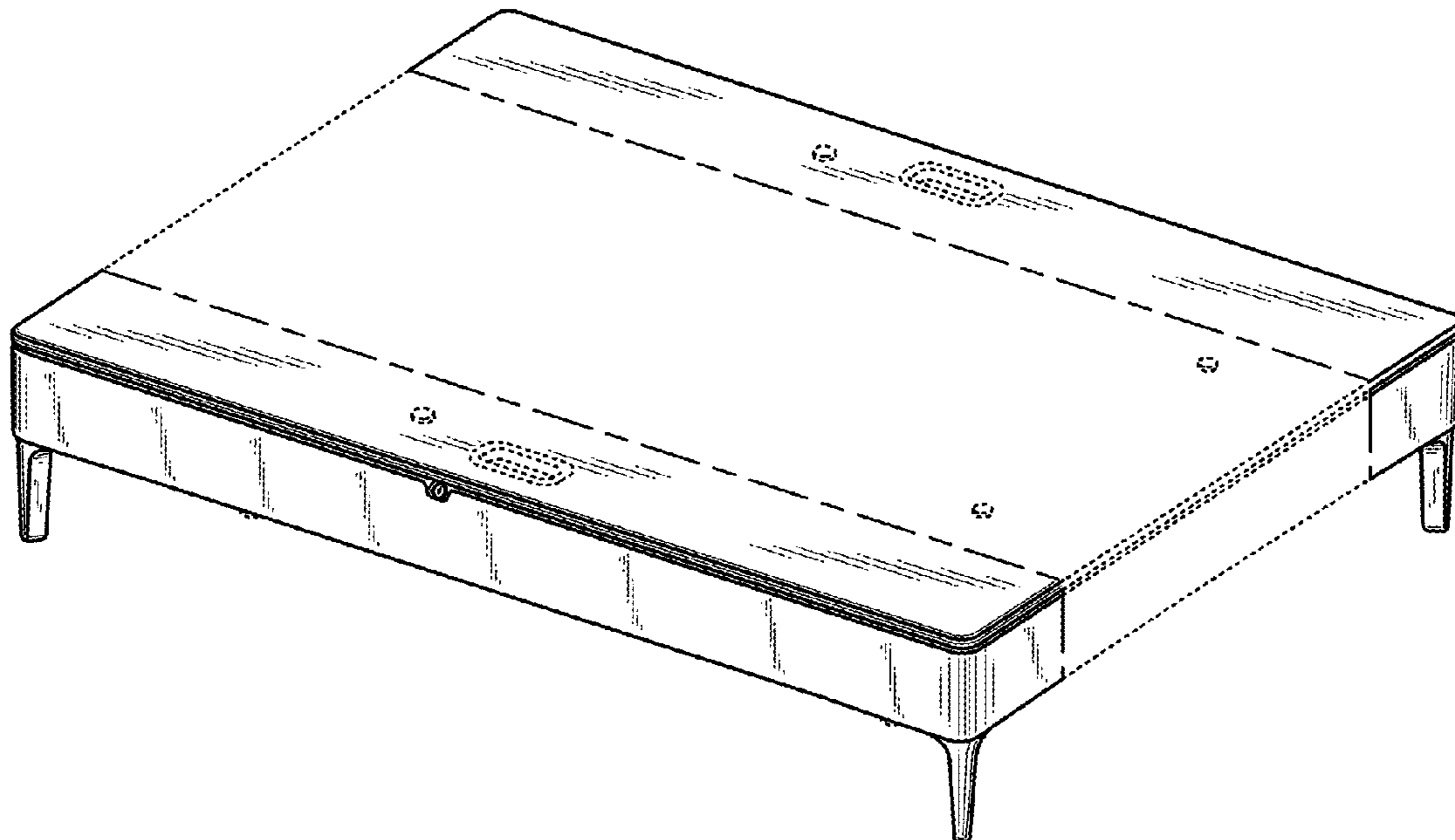
FIG. 1 is a top perspective view of a bed foundation according to a first embodiment.  
 FIG. 2 is a front view of the bed foundation of FIG. 1.  
 FIG. 3 is a back view of the bed foundation of FIG. 1.  
 FIG. 4 is a left side view of the bed foundation of FIG. 1.  
 FIG. 5 is a right side view of the bed foundation of FIG. 1.  
 FIG. 6 is a top view of the bed foundation of FIG. 1.  
 FIG. 7 is a bottom view of the bed foundation of FIG. 1.  
 FIG. 8 is a top perspective view of a bed foundation according to a second embodiment.  
 FIG. 9 is a front view of the bed foundation of FIG. 8.  
 FIG. 10 is a back view of the bed foundation of FIG. 8.  
 FIG. 11 is a left side view of the bed foundation of FIG. 8.  
 FIG. 12 is a right side view of the bed foundation of FIG. 8.  
 FIG. 13 is a top view of the bed foundation of FIG. 8; and,  
 FIG. 14 is a bottom view of the bed foundation of FIG. 8.  
 The short and long dash broken lines illustrate boundary lines that form no part of the claimed design. The dotted broken lines illustrate portions of the bed foundation that form no part of the claimed design.

(56) **References Cited**

**U.S. PATENT DOCUMENTS**

- D165,074 S \* 11/1951 Herrmann ..... D6/394
- 3,605,141 A \* 9/1971 Silverman ..... A47C 19/021  
5/200.1
- D255,402 S 6/1980 Lundgren
- 4,394,784 A \* 7/1983 Swenson ..... A47C 27/082  
415/121.3
- D271,729 S 12/1983 Dodrill
- D288,874 S \* 3/1987 Yosimoto ..... D6/382
- 4,766,628 A 8/1988 Greer et al.
- 4,788,729 A 12/1988 Greer et al.

**1 Claim, 6 Drawing Sheets**



(56)

References Cited

U.S. PATENT DOCUMENTS

4,897,890 A 2/1990 Walker  
 4,908,895 A 3/1990 Walker  
 D313,973 S 1/1991 Walker  
 4,991,244 A 2/1991 Walker  
 5,027,454 A \* 7/1991 Peng ..... A47C 19/021  
 5/402  
 5,144,706 A 9/1992 Walker et al.  
 D331,159 S 11/1992 Bueno  
 5,170,522 A 12/1992 Walker  
 5,477,571 A 12/1995 Roggenkamp et al.  
 D368,475 S 4/1996 Scott  
 5,509,154 A 4/1996 Shafer et al.  
 D370,794 S 6/1996 Mann et al.  
 5,564,140 A 10/1996 Shoenhair et al.  
 5,642,546 A 6/1997 Shoenhair  
 5,652,484 A 7/1997 Shafer et al.  
 D393,378 S \* 4/1998 Hutton ..... D6/382  
 5,765,246 A 6/1998 Shoenhair  
 5,903,941 A 5/1999 Shafer et al.  
 5,904,172 A 5/1999 Giff et al.  
 6,035,468 A 3/2000 Lee  
 6,037,723 A 3/2000 Shafer et al.  
 6,108,844 A 8/2000 Kraft et al.  
 6,161,231 A 12/2000 Kraft et al.  
 6,202,239 B1 3/2001 Ward et al.  
 6,256,821 B1 7/2001 Boyd  
 6,397,419 B1 6/2002 Mechache  
 6,483,264 B1 11/2002 Shafer et al.  
 6,686,711 B2 2/2004 Rose et al.  
 6,708,357 B2 3/2004 Gaboury et al.  
 6,763,541 B2 7/2004 Mahoney et al.  
 6,804,848 B1 10/2004 Rose  
 6,832,397 B2 12/2004 Gaboury  
 D502,929 S 3/2005 Copeland et al.  
 6,883,191 B2 5/2005 Gaboury et al.  
 7,191,483 B2 3/2007 Hoschchild  
 7,231,676 B2 6/2007 Cloer et al.  
 D551,011 S 9/2007 Van Patten  
 7,389,554 B1 6/2008 Rose  
 7,640,611 B1 1/2010 Kluff  
 7,865,988 B2 1/2011 Koughan et al.  
 D644,851 S \* 9/2011 Colombo ..... D6/393  
 D653,870 S 2/2012 Messenger  
 D655,938 S \* 3/2012 Kozel ..... D6/393  
 D657,158 S 4/2012 McCarty et al.  
 D666,448 S 9/2012 Morrison et al.  
 D667,671 S 9/2012 Rinehart  
 8,282,452 B2 10/2012 Grigsby et al.  
 8,336,369 B2 12/2012 Mahoney  
 8,444,558 B2 5/2013 Young et al.

D691,118 S 10/2013 Ingham et al.  
 D697,874 S 1/2014 Stusynski et al.  
 D698,338 S 1/2014 Ingham  
 D701,536 S 3/2014 Sakai  
 8,672,853 B2 3/2014 Young  
 D707,463 S 6/2014 McCarty et al.  
 8,769,747 B2 7/2014 Mahoney et al.  
 D717,088 S 11/2014 Rawls-Meehan  
 D717,561 S \* 11/2014 Wurst ..... D6/382  
 D717,575 S 11/2014 Rawls-Meehan  
 8,931,329 B2 1/2015 Mahoney et al.  
 8,966,689 B2 3/2015 McGuire et al.  
 8,973,183 B1 3/2015 Palashewski et al.  
 8,984,687 B2 3/2015 Stusynski et al.  
 D737,250 S 8/2015 Ingham et al.  
 D784,718 S \* 4/2017 Bellingroth ..... D6/382  
 2003/0079284 A1 5/2003 Gaboury et al.  
 2008/0077020 A1 3/2008 Young et al.  
 2011/0144455 A1 6/2011 Young et al.  
 2014/0182061 A1 7/2014 Zaiss  
 2014/0250597 A1 9/2014 Chen et al.  
 2014/0257571 A1 9/2014 Chen et al.  
 2014/0259417 A1 9/2014 Nunn et al.  
 2014/0259418 A1 9/2014 Nunn et al.  
 2014/0259431 A1 9/2014 Fleury  
 2014/0259433 A1 9/2014 Nunn et al.  
 2014/0259434 A1 9/2014 Nunn et al.  
 2014/0277611 A1 9/2014 Nunn et al.  
 2014/0277778 A1 9/2014 Nunn et al.  
 2014/0277822 A1 9/2014 Nunn et al.  
 2015/0007393 A1 1/2015 Palashewski  
 2015/0025327 A1 1/2015 Young et al.  
 2015/0026896 A1 1/2015 Fleury et al.  
 2015/0157137 A1 6/2015 Nunn et al.  
 2015/0157519 A1 6/2015 Stusynski et al.  
 2015/0182033 A1 7/2015 Brosnan et al.  
 2015/0182397 A1 7/2015 Palashewski et al.  
 2015/0182399 A1 7/2015 Palashewski et al.  
 2015/0182418 A1 7/2015 Zaiss  
 2015/0290059 A1 10/2015 Brosnan et al.  
 2015/0366366 A1 12/2015 Zaiss et al.  
 2015/0374137 A1 12/2015 Mahoney et al.  
 2016/0100696 A1 4/2016 Palashewski et al.

OTHER PUBLICATIONS

U.S. Appl. No. 14/819,630, filed Aug. 6, 2015, Nunn et al.  
 U.S. Appl. No. 15/347,572, filed Nov. 9, 2016, Peterson et al.  
 U.S. Appl. No. 15/337,034, filed Oct. 28, 2016, Karschnik et al.  
 U.S. Appl. No. 29/577,797, filed Sep. 15, 2016, Karschnik et al.  
 U.S. Appl. No. 29/583,852, filed Nov. 9, 2016, Keeley.

\* cited by examiner

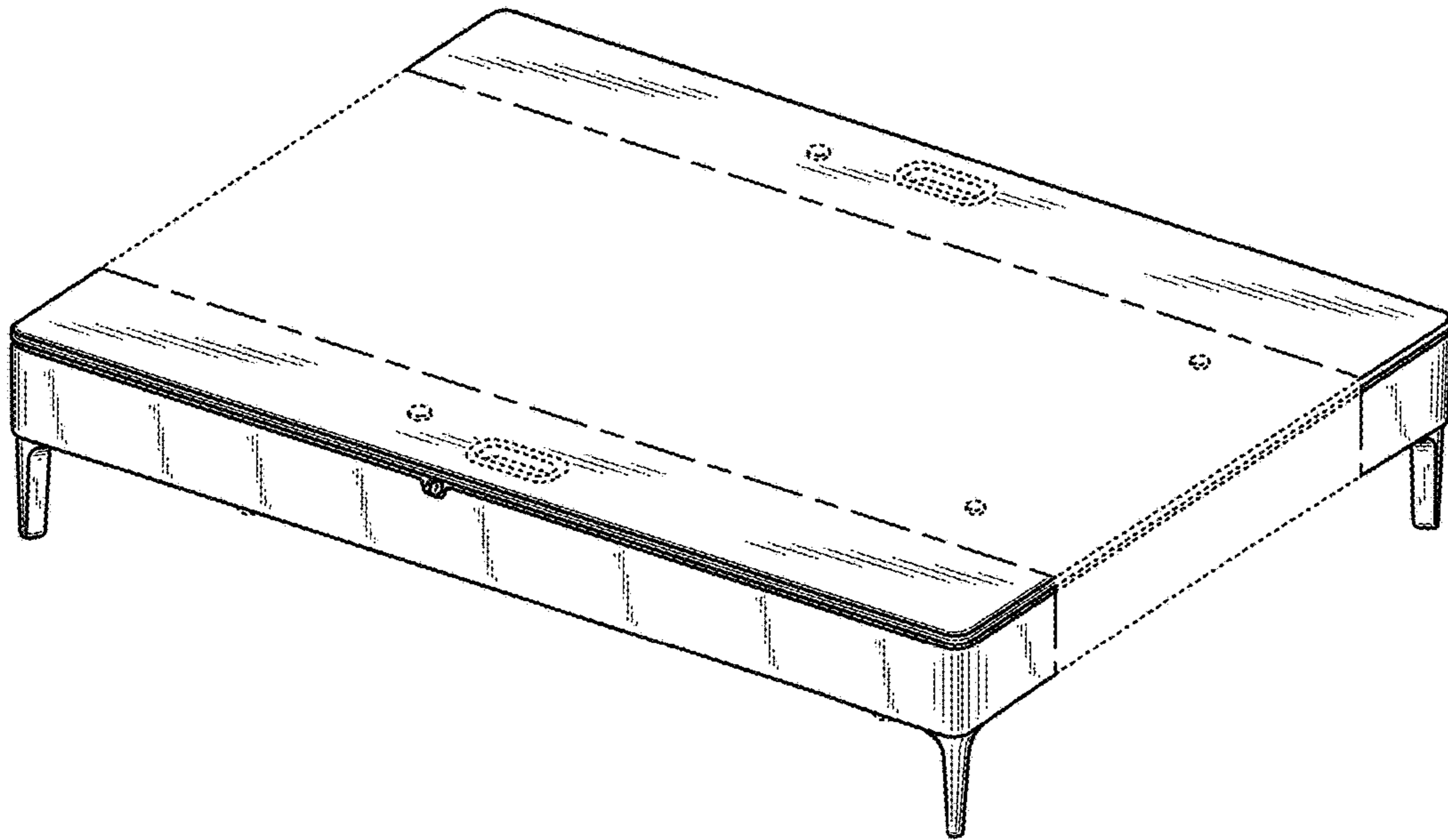


Fig. 1



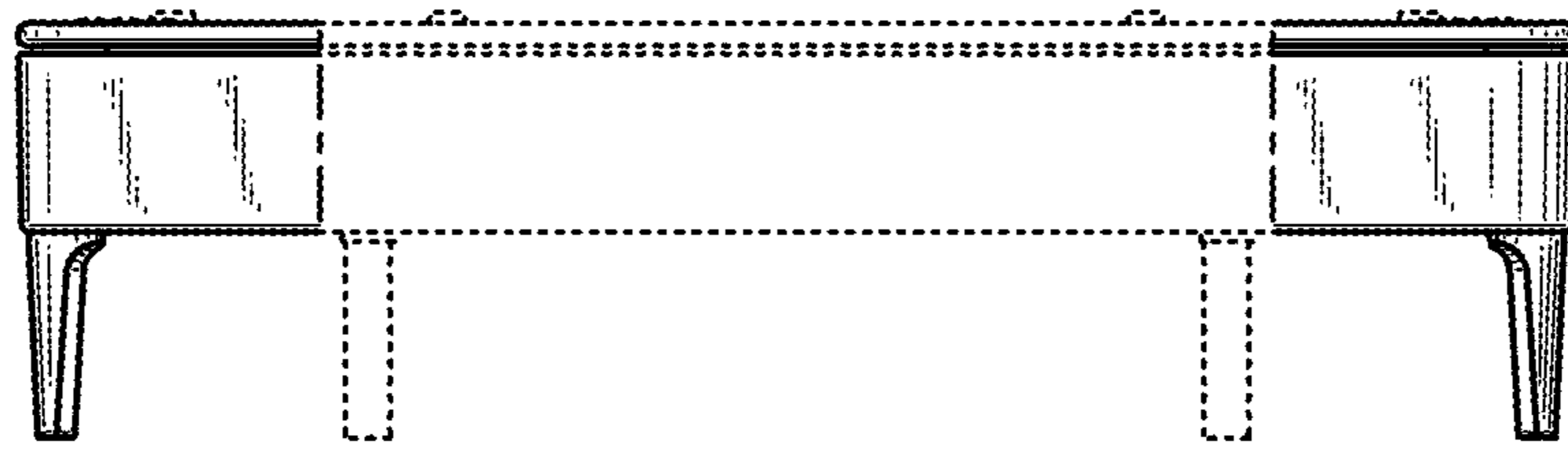


Fig. 2

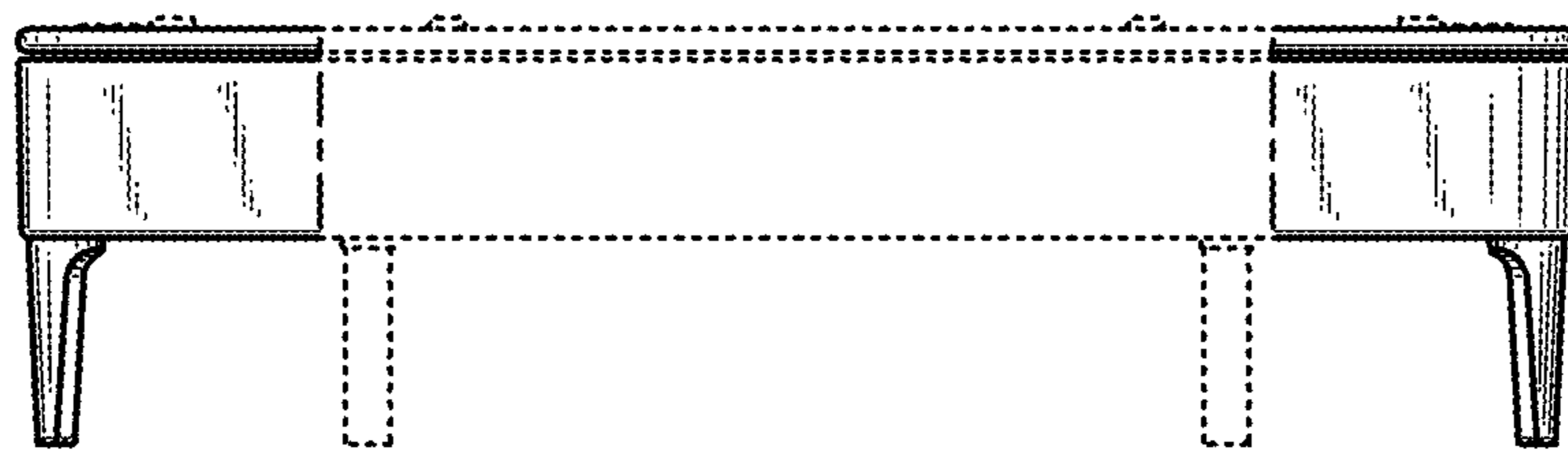


Fig. 3

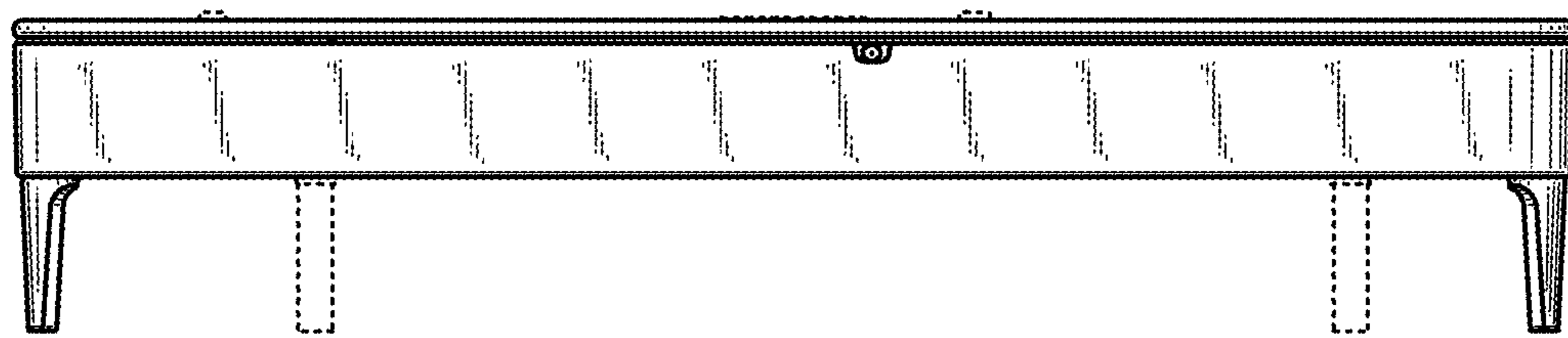


Fig. 4

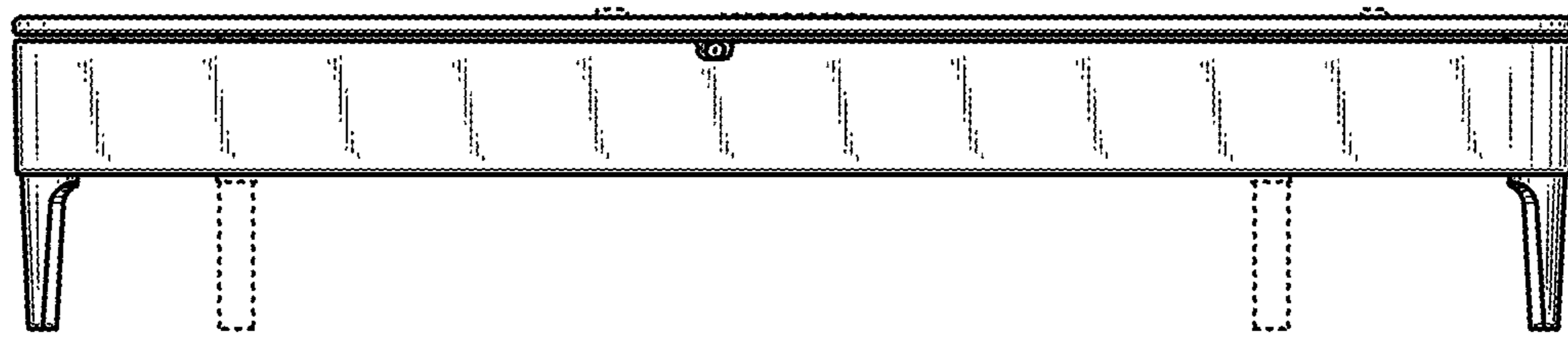


Fig. 5

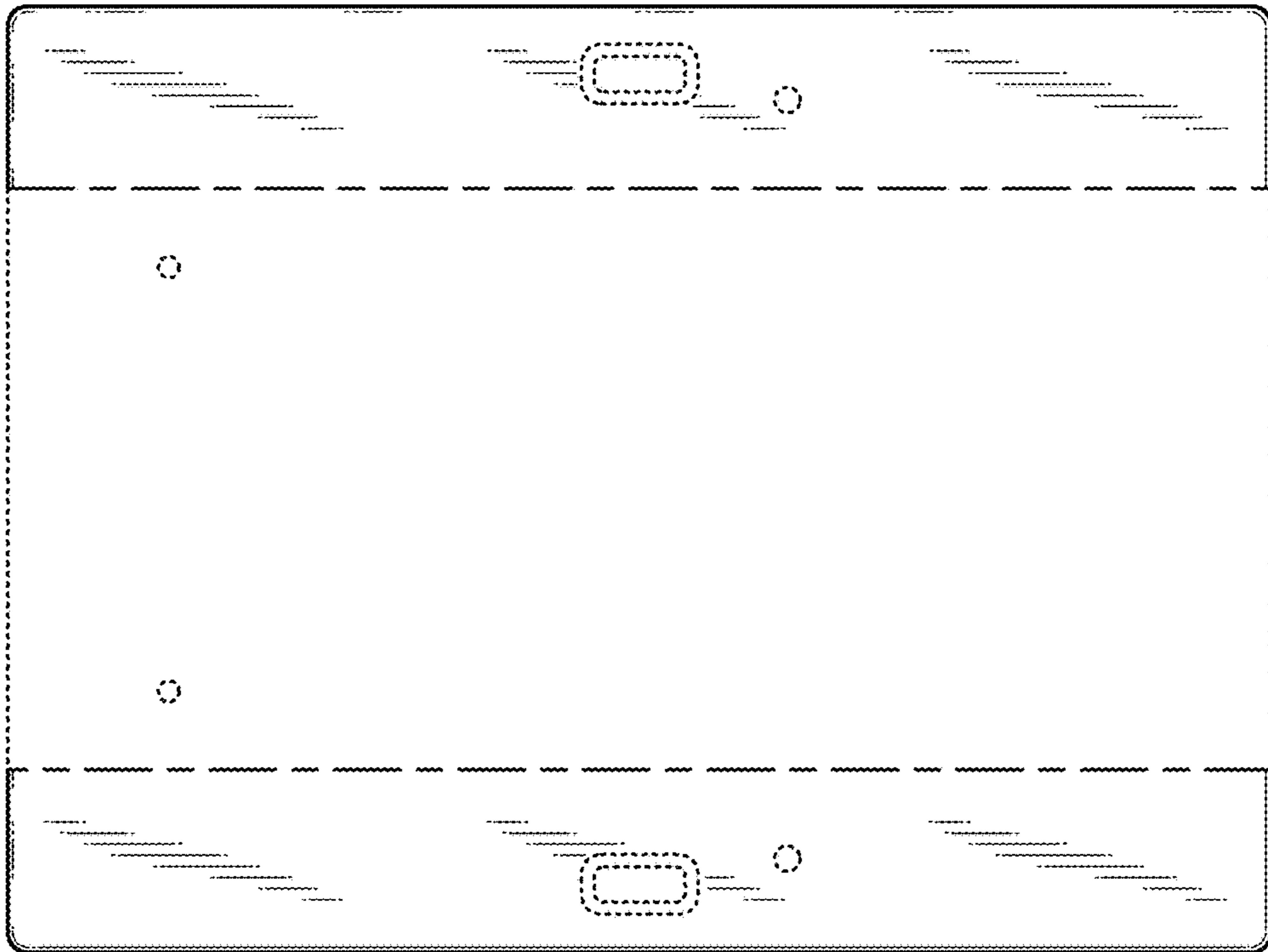


Fig. 6



Fig. 7

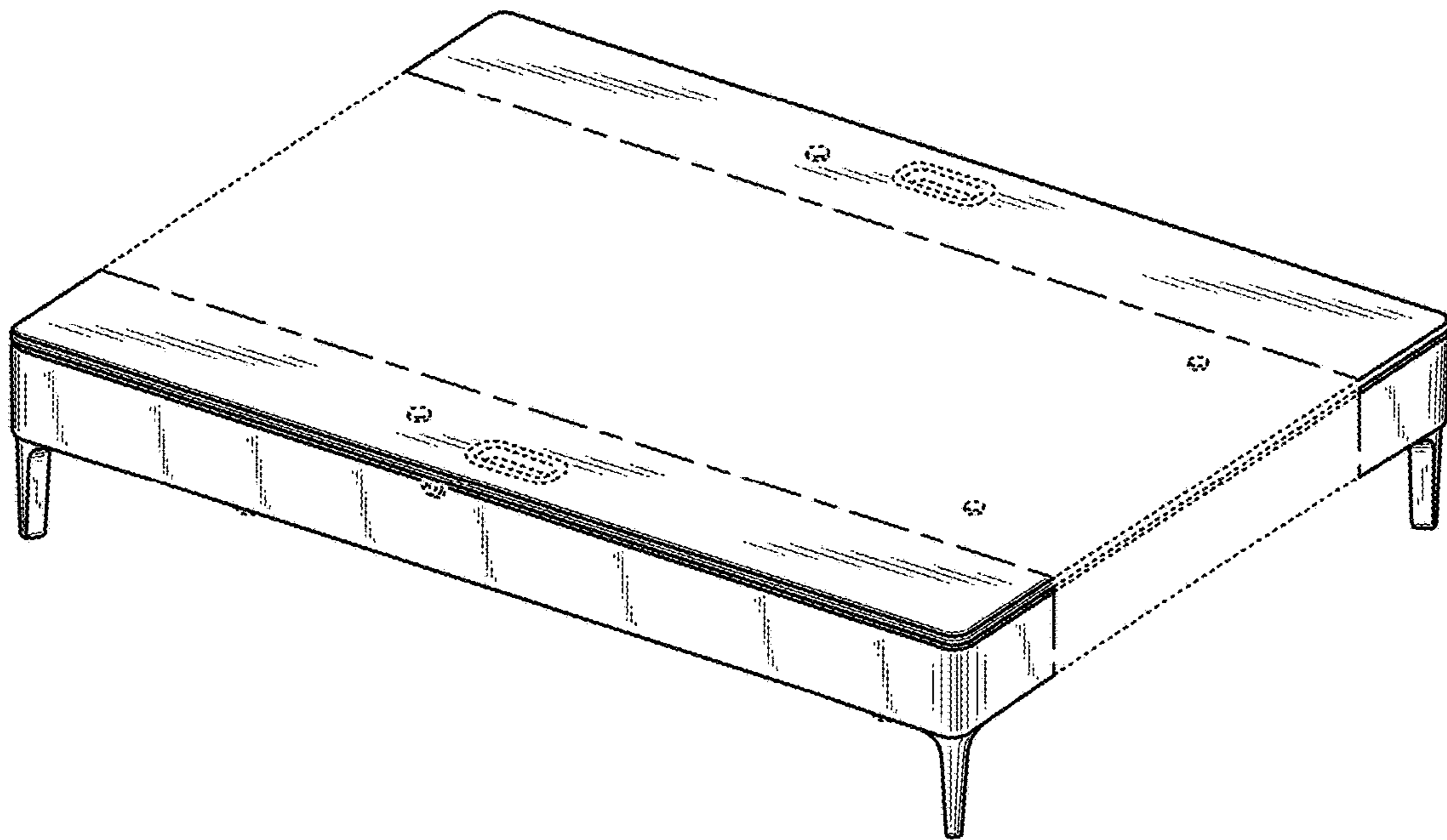


Fig. 8

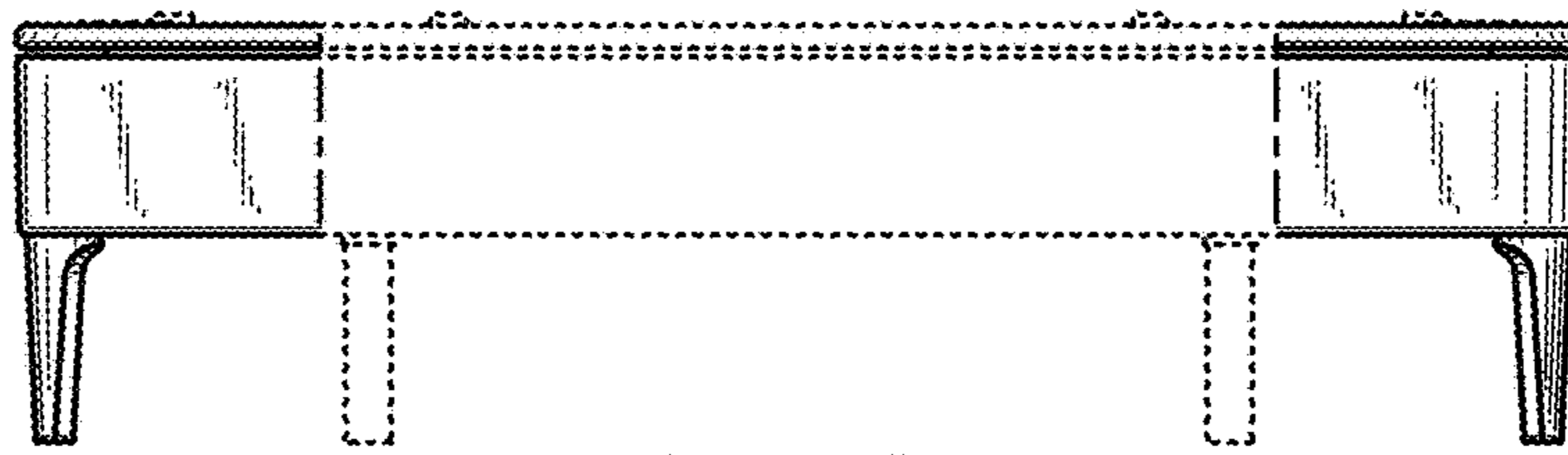


Fig. 9

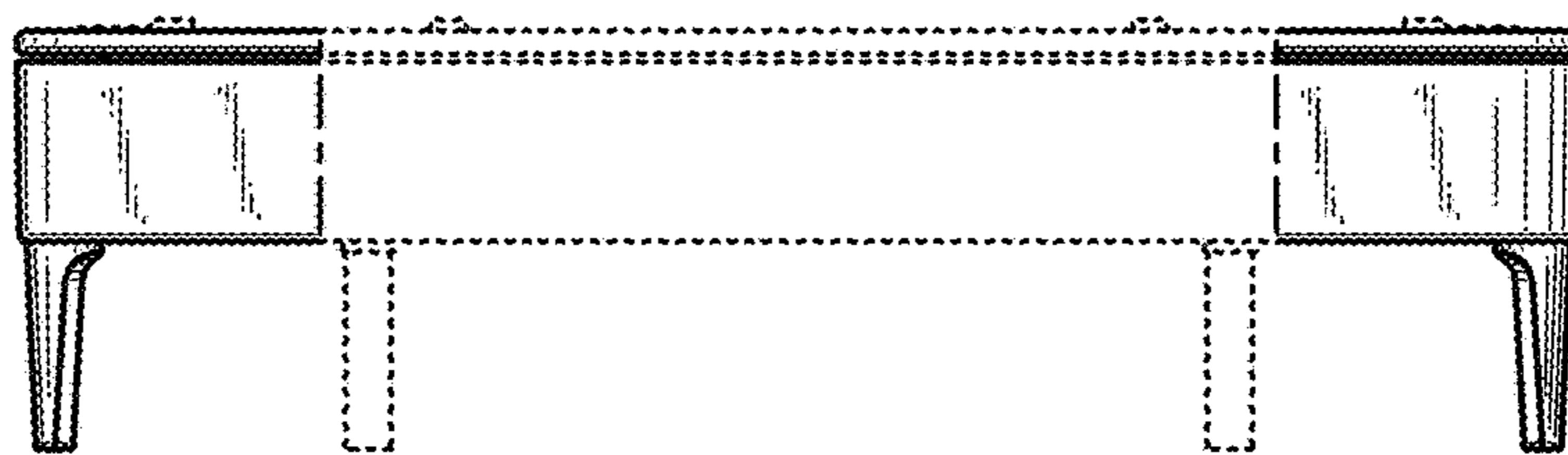


Fig. 10

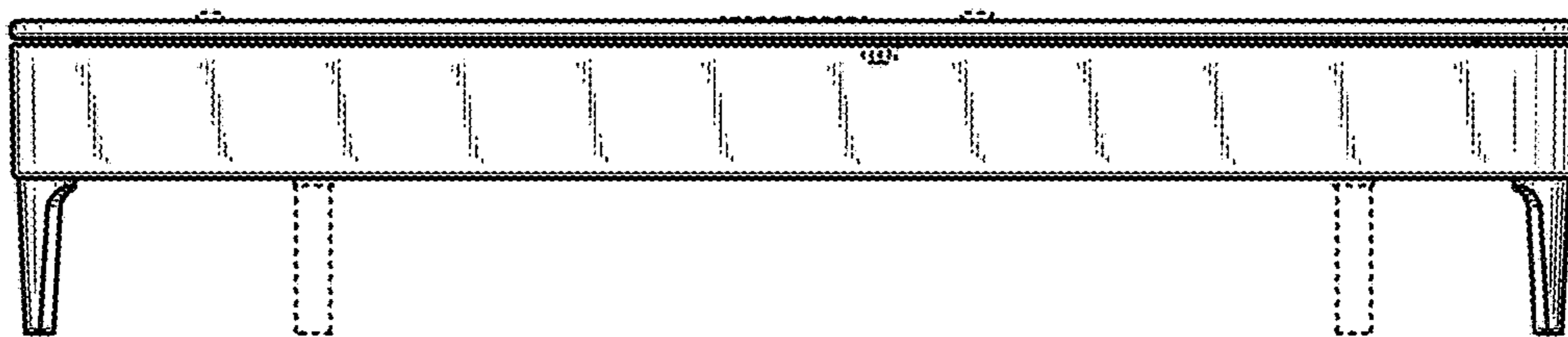


Fig. 11

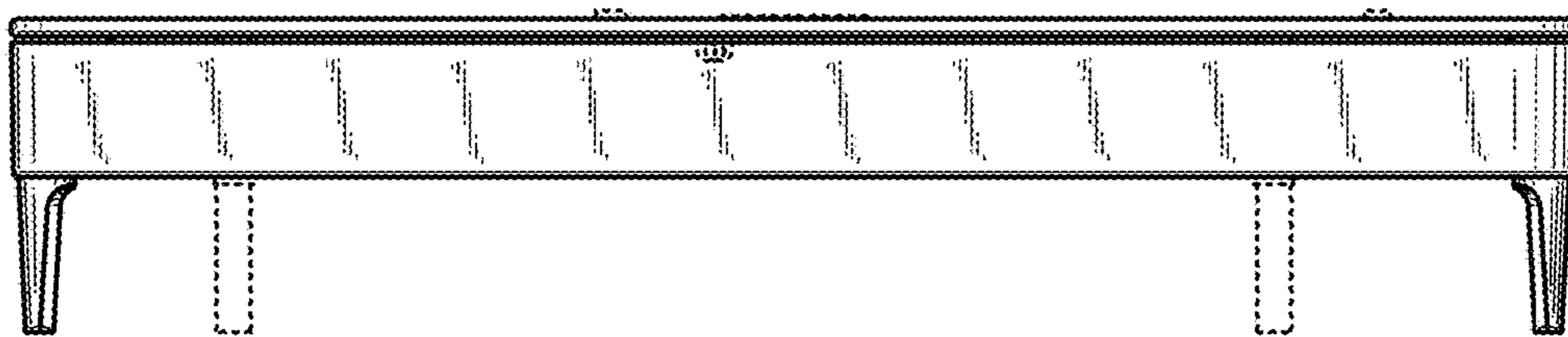


Fig. 12

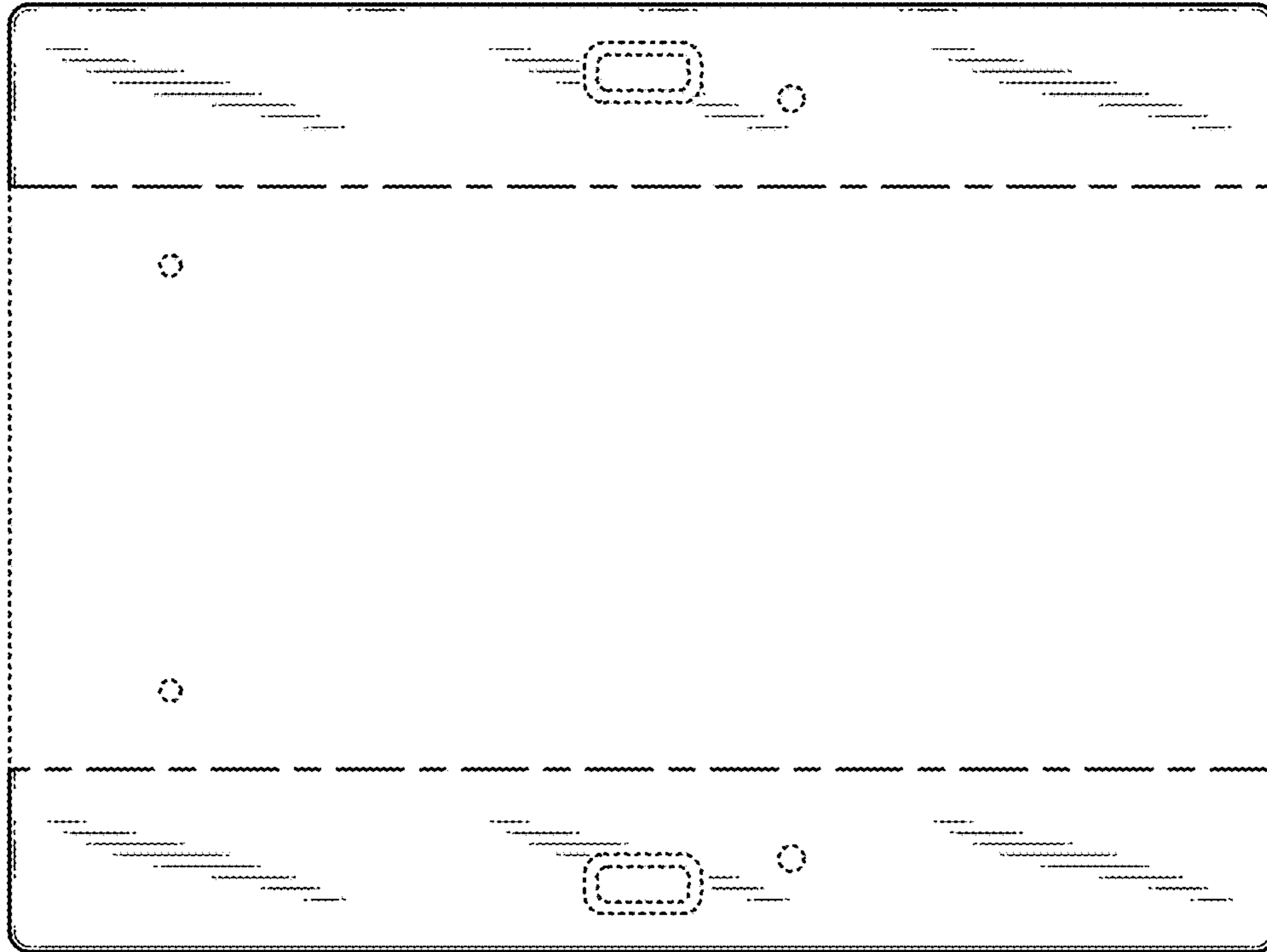


Fig. 13



Fig. 14