



US00D809840S

(12) **United States Design Patent** (10) **Patent No.:** **US D809,840 S**
Theesfeld (45) **Date of Patent:** **** Feb. 13, 2018**

- (54) **STOOL BASE**
- (71) Applicant: **Jeff Theesfeld**, East Greenville, PA (US)
- (72) Inventor: **Jeff Theesfeld**, East Greenville, PA (US)
- (73) Assignee: **PS Furniture, Inc.**, Milwaukee, WI (US)
- (**) Term: **15 Years**
- (21) Appl. No.: **29/567,596**
- (22) Filed: **Jun. 10, 2016**
- (51) **LOC (11) Cl.** **06-06**
- (52) **U.S. Cl.**
USPC **D6/708.2; D6/716**
- (58) **Field of Classification Search**
USPC D6/349-353, 358-360, 364-367, 374, D6/403-405, 601, 691-691.9, 692-692.6, D6/703.6, 703.7, 705
CPC A47C 9/00-9/105; A47C 7/00-7/02; A47C 16/00-16/04; A47B 7/00-7/02; A47B 3/00; A47B 3/02; A47B 3/04; A47B 3/12
See application file for complete search history.

- D625,931 S * 10/2010 Estrup D6/349
- D647,313 S * 10/2011 Chen D6/364
- D671,757 S * 12/2012 Walker D6/349
- D681,967 S 5/2013 Schoolmeester et al.
- D689,704 S * 9/2013 Maggiar D6/351
- 9,010,867 B2 4/2015 Martin et al.
- D748,403 S * 2/2016 Walser D6/352
- D767,290 S * 9/2016 Walser D6/352
- 2013/0341988 A1 * 12/2013 Walker A47C 9/10 297/423.17
- 2015/0351549 A1 12/2015 Chadwick et al.

OTHER PUBLICATIONS

Müm™. [online] Published date unknown. Retrieved Jun. 13, 2017 from URL: <<http://www.psfurniture.com/products/seating/mum>>.*
Made in America: 20 Year PS Furniture Employee Jan Miller. Published Apr. 19, 2017. Retrieved Jun. 13, 2017 from URL: <<http://psfurniture.com/blog>>.*

* cited by examiner

Primary Examiner — Vy N Koenig
(74) *Attorney, Agent, or Firm* — Bradley Arant Boulton Cummings LLP; Phillip E. Walker; Timothy L. Capria

(57) **CLAIM**

What is claimed is the ornamental design for a stool base, as shown and described.

DESCRIPTION

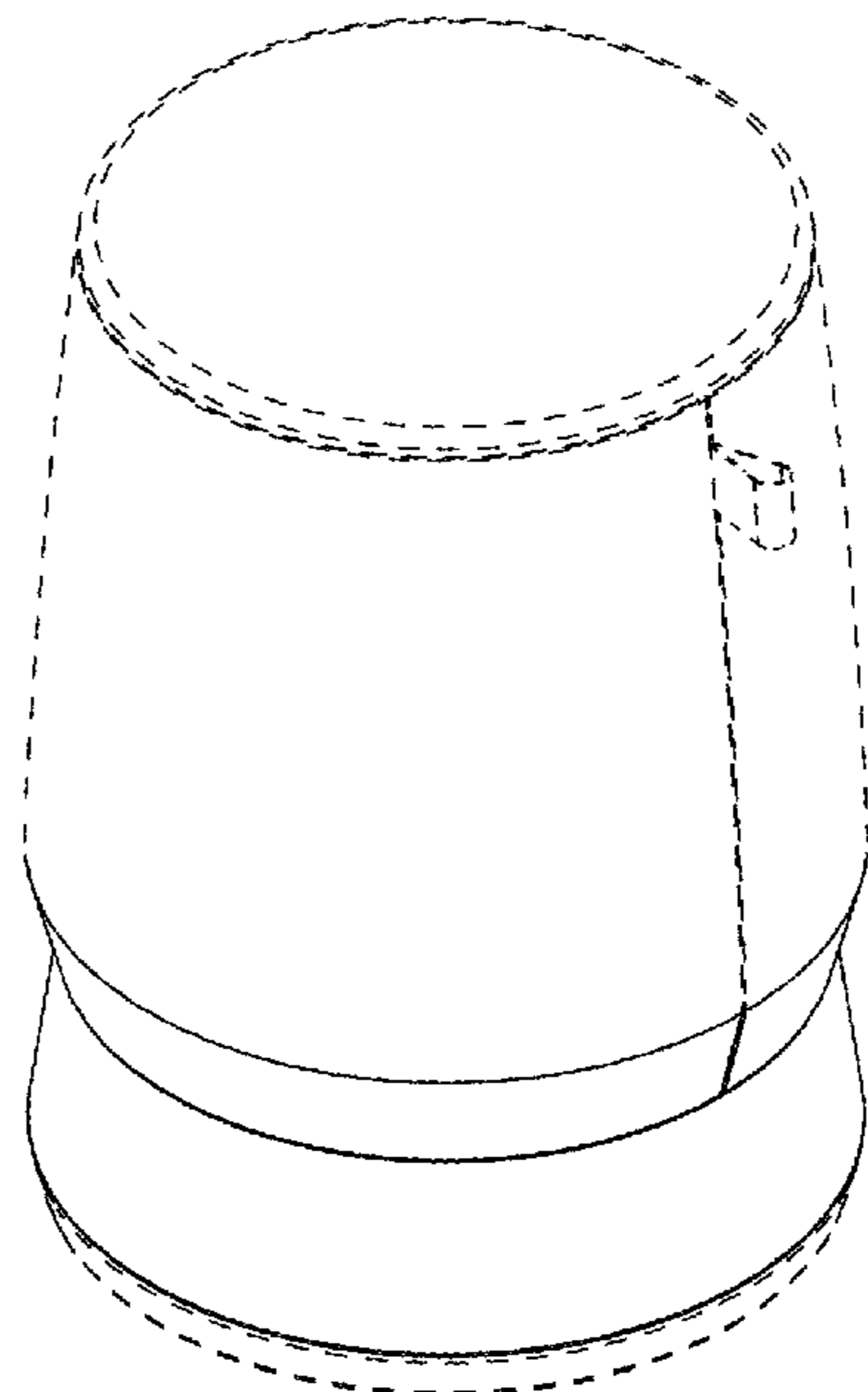
FIG. 1 is a front and right perspective view of a stool showing my new design.
FIG. 2 is a right side elevation view thereof; and,
FIG. 3 is a front elevation thereof, with the rear elevation being a mirror image of the front.
The broken lines in the drawings depict portions of the stool that form no part of the claimed design.

1 Claim, 3 Drawing Sheets

(56) **References Cited**

U.S. PATENT DOCUMENTS

- 3,797,695 A * 3/1974 Law A47C 9/10 108/118
- D277,432 S * 2/1985 Appel D6/364
- 5,172,642 A * 12/1992 Iannuzzelli A47B 7/02 108/25
- D406,470 S * 3/1999 Lin D6/349
- D579,675 S * 11/2008 Paterson D6/349
- D586,574 S * 2/2009 Gomree D6/350



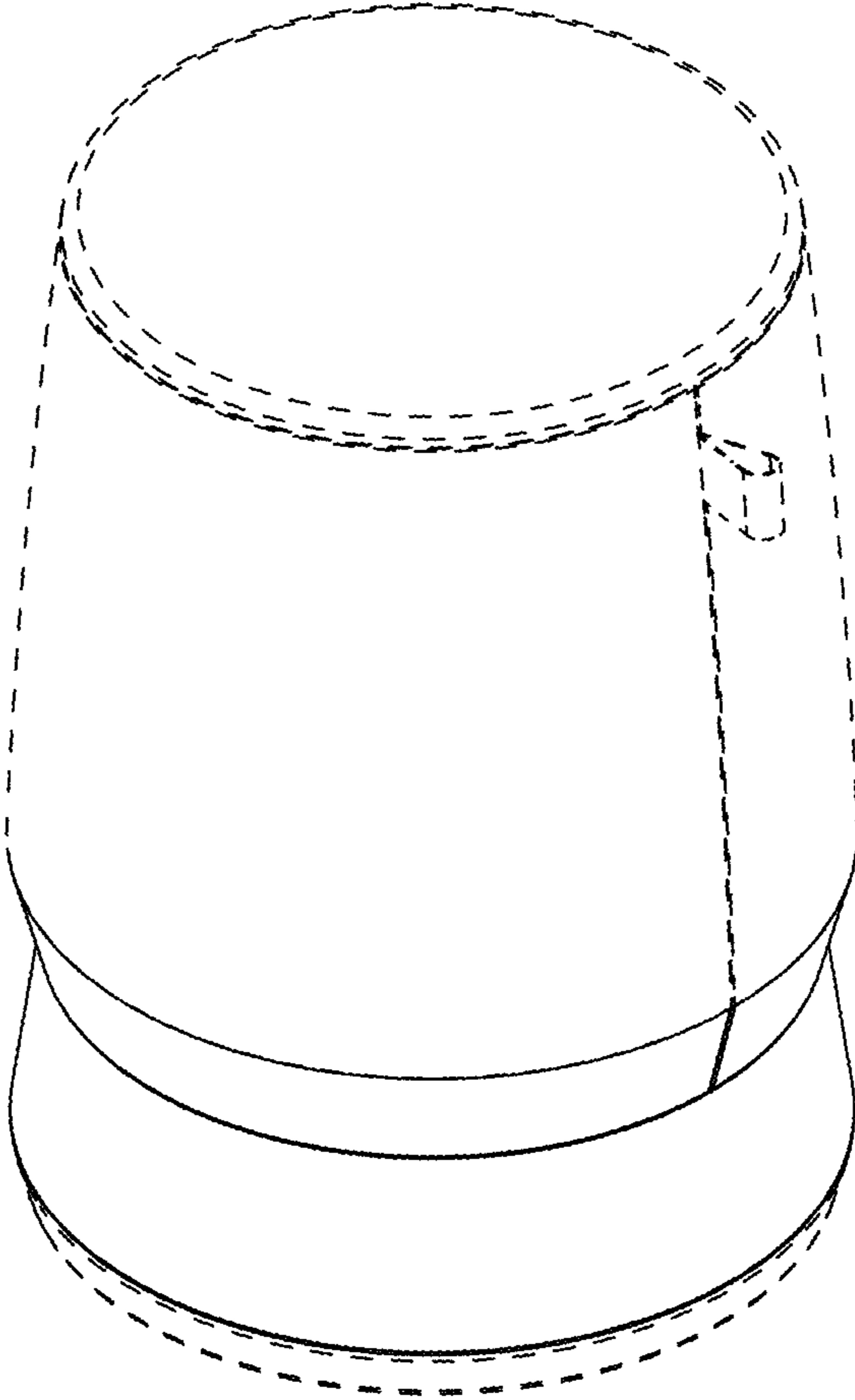


FIG. 1

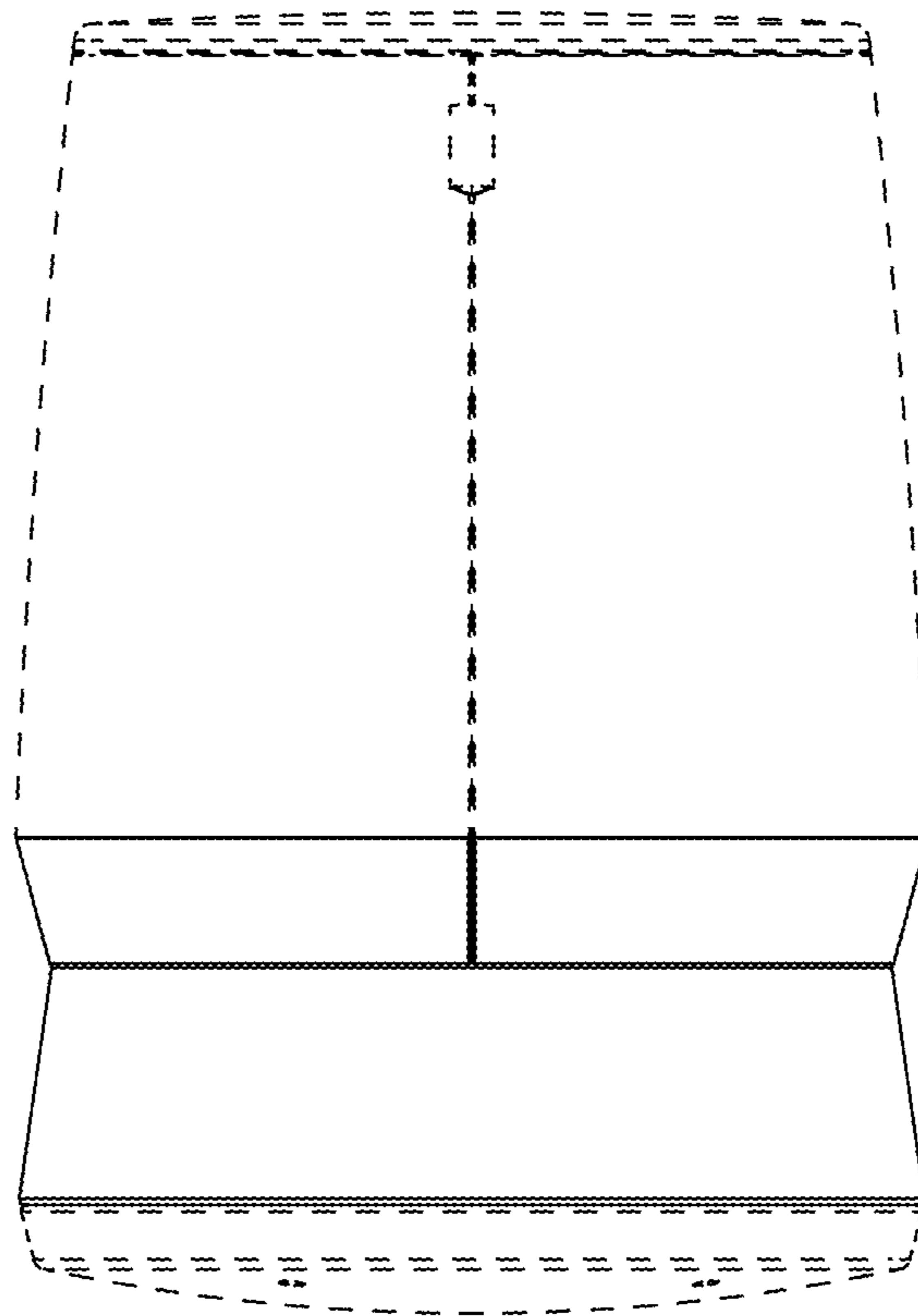


FIG. 2

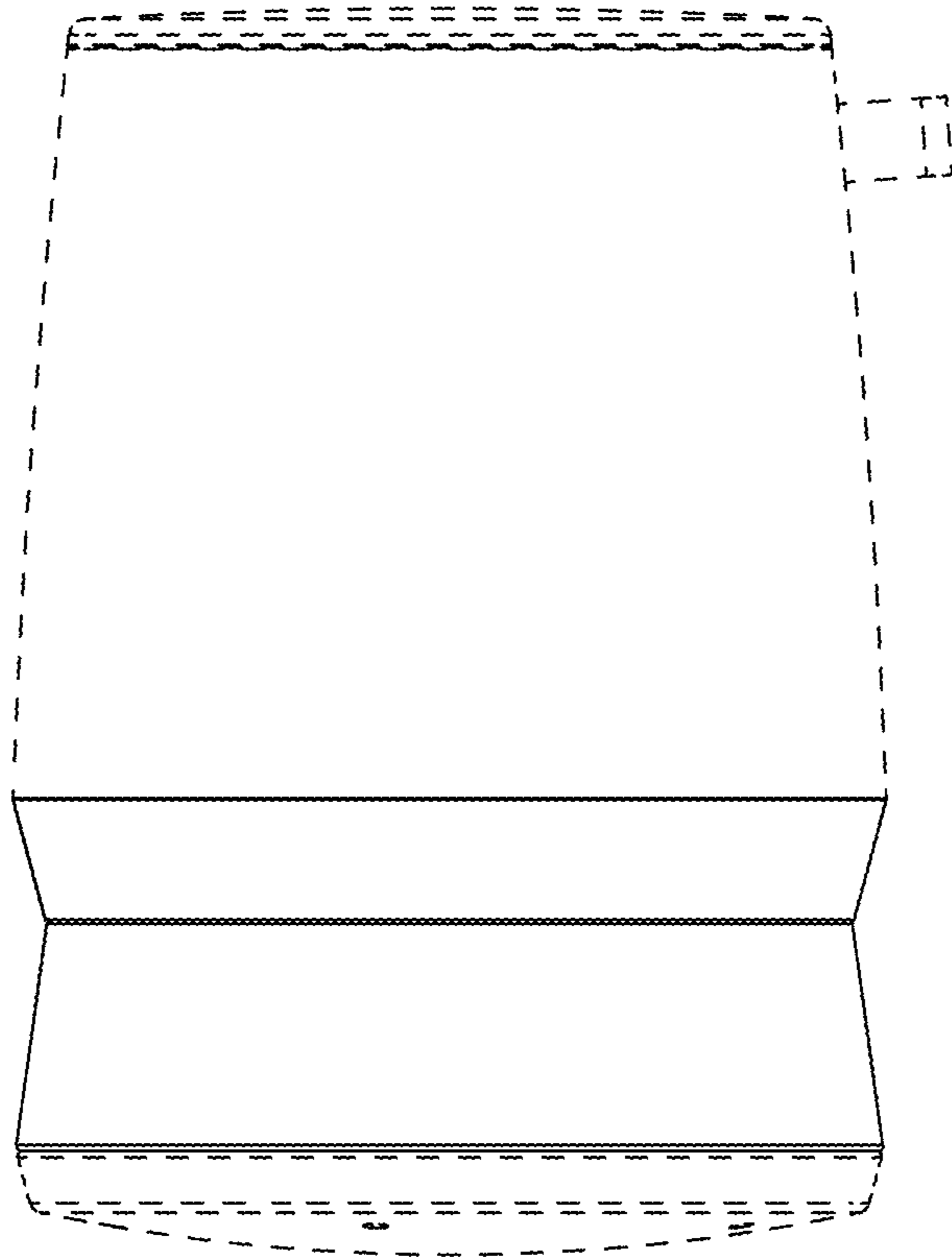


FIG. 3