



US00D809839S

(12) **United States Design Patent**
Menayan

(10) **Patent No.:** **US D809,839 S**
(45) **Date of Patent:** **** Feb. 13, 2018**

- (54) **TABLE LEG**
- (71) Applicant: **Steelcase Inc.**, Grand Rapids, MI (US)
- (72) Inventor: **Jesse M. Menayan**, Sausalito, CA (US)
- (73) Assignee: **Steelcase Inc.**, Grand Rapids, MI (US)
- (**) Term: **15 Years**
- (21) Appl. No.: **29/528,227**
- (22) Filed: **May 27, 2015**
- (51) **LOC (11) Cl.** **06-03**
- (52) **U.S. Cl.**
USPC **D6/691.6**
- (58) **Field of Classification Search**
USPC D6/480, 481, 482, 483, 484, 485, 486,
D6/487, 488, 489, 495, 496, 497, 498,
D6/499, 685, 686, 687, 688, 688.1,
D6/688.15, 688.16, 688.24, 689-691,
D6/691.4, 691.6, 691.7, 692, 692.2,
D6/692.4, 692.5, 693, 693.1, 693.2,
D6/694.1, 695, 695.2, 695.4, 695.5,
D6/695.8, 696, 696.1, 696.3, 696.4,
D6/696.7, 697, 697.1, 697.2, 698, 708,
D6/708.16, 708.17, 708.23, 709.2, 709.22
CPC A47B 13/021; A47B 2003/0821; A47B
13/02; A47B 3/0815; A47B 13/06
See application file for complete search history.

(56) **References Cited**

U.S. PATENT DOCUMENTS

- 705,653 A * 7/1902 Davis A47B 91/00
248/188.8
- 1,806,169 A * 5/1931 Kohler, Jr. E03C 1/328
108/156
- 1,858,381 A * 5/1932 Vance A47B 91/00
248/188.8
- 2,047,346 A * 7/1936 Weston A47B 91/00
248/188.8

- D134,388 S * 11/1942 Waltman D6/692
- D155,369 S * 9/1949 Wallance 138/DIG. 11
- 2,527,603 A * 10/1950 Wallance A47B 91/00
16/42 T
- 2,710,781 A 6/1955 Haynes, Sr.
- D176,296 S * 12/1955 Welt D6/708.23
- 2,738,246 A * 3/1956 Hogan, Jr. A47B 13/021
248/188.8
- D182,964 S * 6/1958 Kjer Jakobsen 126/304 R
- D186,896 S * 12/1959 Monroe D6/709
- D186,984 S * 1/1960 Cohen D6/709.2
- D189,825 S * 2/1961 Kjer Jakobsen D19/184
- D248,350 S * 7/1978 Blodee D6/709.21
- D293,987 S * 2/1988 Raftery D34/27
- D303,742 S 10/1989 Reid
- D303,886 S 10/1989 Reid

(Continued)

FOREIGN PATENT DOCUMENTS

- DE 9416757.5 12/1994
- JP 2011092441 5/2011

Primary Examiner — David G Muller
Assistant Examiner — Nathan M Johnston
(74) *Attorney, Agent, or Firm* — Price Heneveld LLP

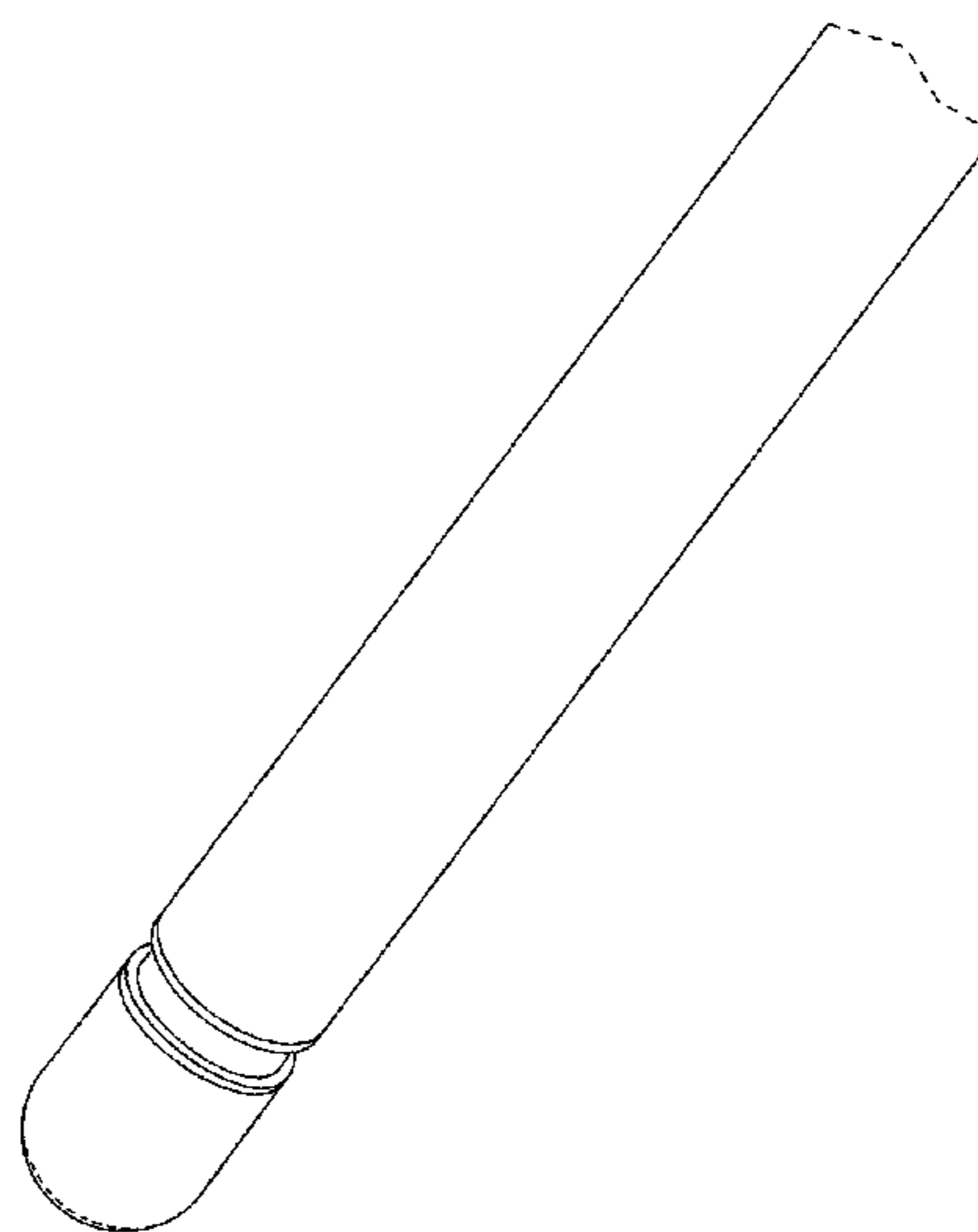
(57) **CLAIM**

I claim the ornamental design for a table leg, as shown and described.

DESCRIPTION

FIG. 1 is a front perspective view of a table leg embodying the present invention;
FIG. 2 is a front elevational view of the table leg;
FIG. 3 is a first side elevational view of the table leg;
FIG. 4 is a rear perspective view of the table leg;
FIG. 5 is a second side elevational view of the table leg;
FIG. 6 is a top plan view of the table leg; and,
FIG. 7 is a bottom plan view of the table leg.
The broken lines show portions of the article that form no part of the claim.

1 Claim, 4 Drawing Sheets



(56)

References Cited

U.S. PATENT DOCUMENTS

D303,887 S 10/1989 Reid
 D307,365 S * 4/1990 Dry D6/691.6
 D314,681 S 2/1991 Reid
 5,203,528 A 4/1993 Oke
 D358,050 S * 5/1995 Koning D6/709.21
 5,438,937 A 8/1995 Ball et al.
 5,715,761 A 2/1998 Frattini
 5,934,203 A 8/1999 Glass
 D418,699 S 1/2000 Burns et al.
 D423,832 S 5/2000 Kane et al.
 D432,334 S * 10/2000 Risdall D6/691.6
 D456,183 S * 4/2002 Brown D6/709
 6,415,723 B1 7/2002 Kopish et al.
 D467,453 S 12/2002 Kwon
 6,523,795 B2 2/2003 Gutsell et al.
 D476,179 S 6/2003 Lenger
 D476,512 S 7/2003 Glass
 D476,597 S * 7/2003 West D11/181
 D478,437 S 8/2003 Wang
 D499,585 S 12/2004 Williams et al.
 D513,892 S * 1/2006 Glass D6/338
 D515,841 S * 2/2006 Hsu D6/691.6
 D517,843 S * 3/2006 Barefoot D6/709.21
 D519,305 S 4/2006 Pesso

D520,271 S * 5/2006 Yim Chi Ming D6/709.2
 D522,777 S * 6/2006 Glass D6/338
 D523,265 S * 6/2006 Glass D6/708.16
 D553,396 S 10/2007 Vargo
 D575,968 S * 9/2008 Saffell D6/709.21
 D580,687 S 11/2008 Saffell et al.
 D600,476 S 9/2009 Stoller
 D652,289 S * 1/2012 Vu D6/709
 D652,714 S * 1/2012 Vu D6/709
 D653,532 S * 2/2012 Vu D6/709
 8,146,514 B2 4/2012 Hamilton et al.
 D665,248 S * 8/2012 Vu D6/709
 D673,793 S * 1/2013 McKsymick D6/691.6
 D689,724 S * 9/2013 Rada D6/716
 8,667,908 B2 3/2014 Martin et al.
 D719,773 S 12/2014 Korte
 D720,170 S 12/2014 Korte
 D721,245 S 1/2015 Agati et al.
 D731,201 S 6/2015 Otsuka
 9,504,317 B1 * 11/2016 White A47B 21/06
 D780,487 S * 3/2017 Brown D6/656.13
 D796,236 S * 9/2017 Menayan D6/691.6
 2006/0096506 A1 5/2006 Brauning
 2016/0150877 A1 * 6/2016 Wei Siao A47B 9/20
 248/188.5
 2017/0108022 A1 * 4/2017 Gregory F16B 12/44

* cited by examiner

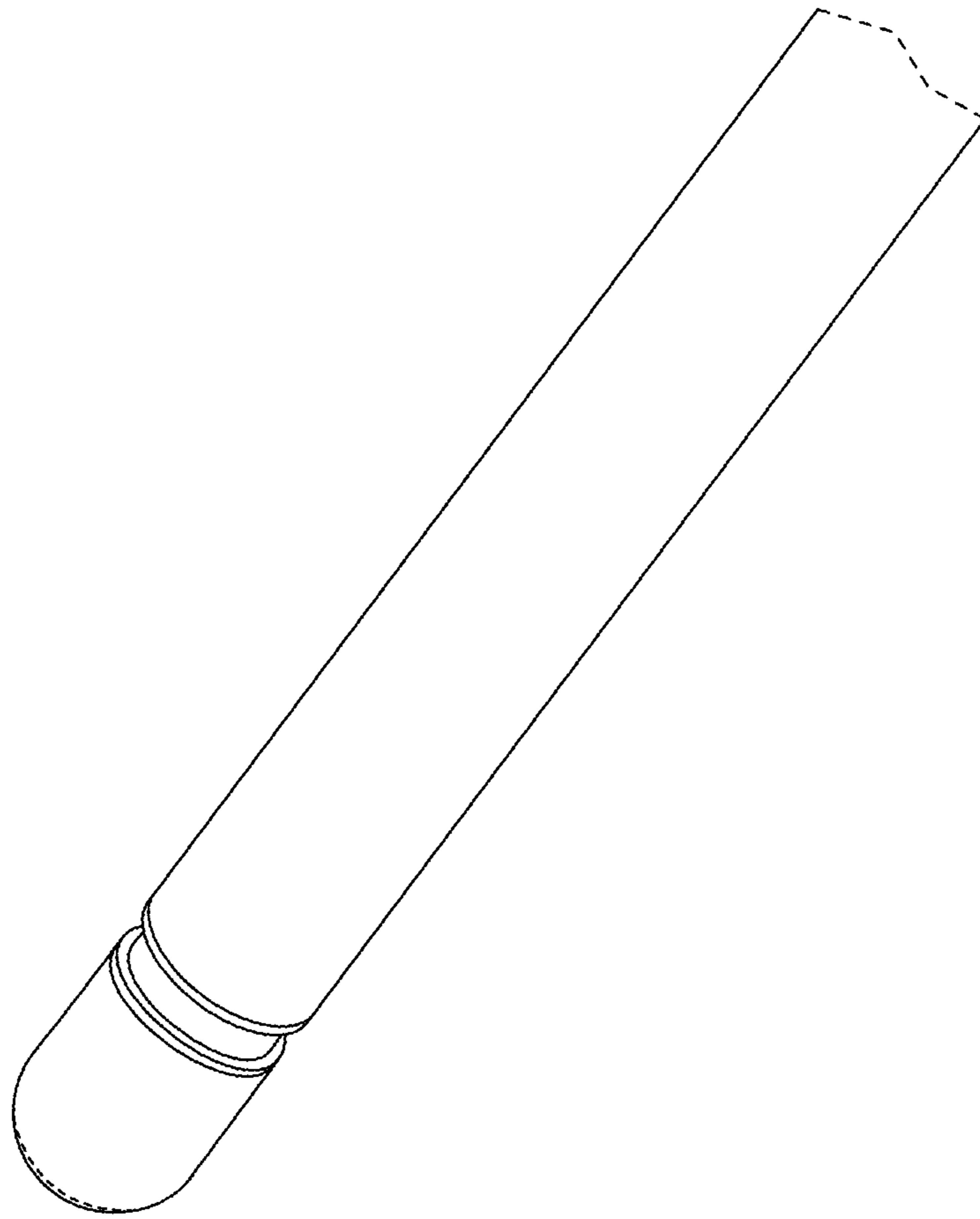


FIG. 1

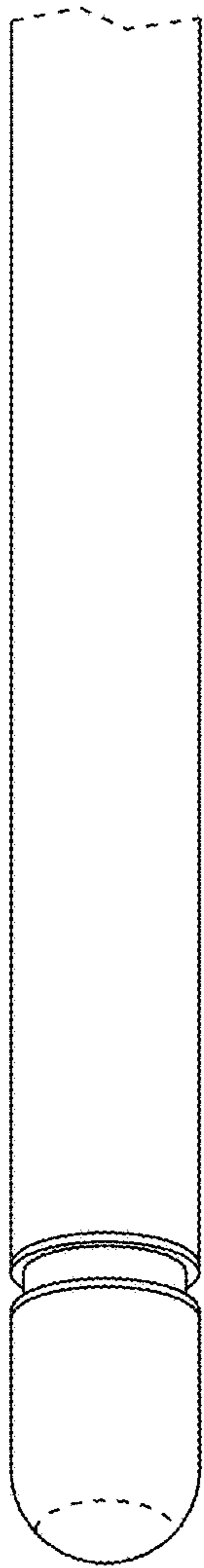


FIG. 2

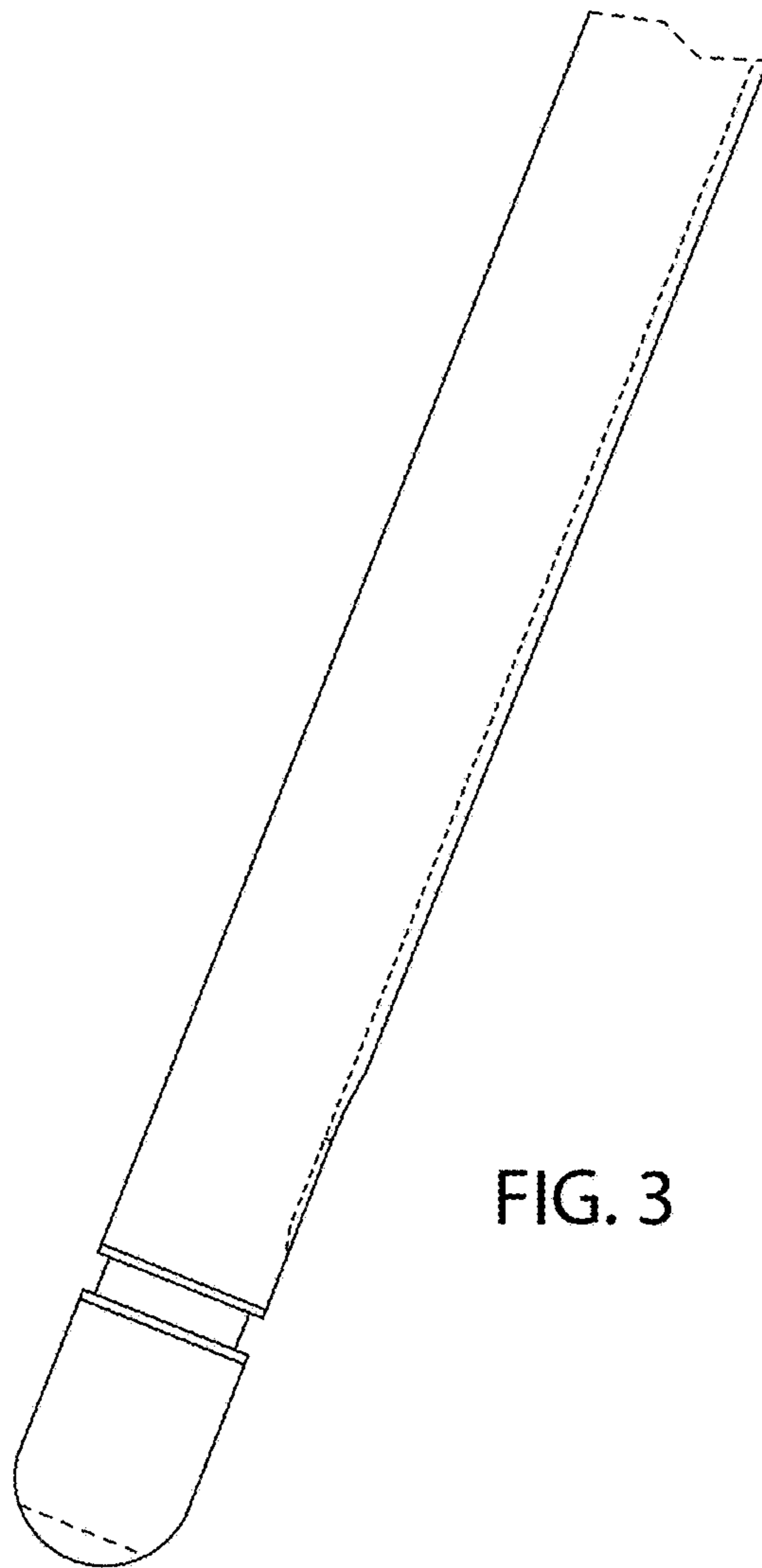


FIG. 3

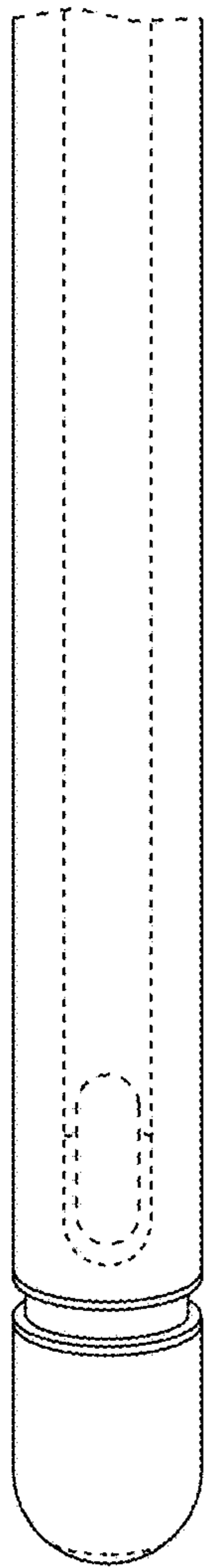


FIG. 4

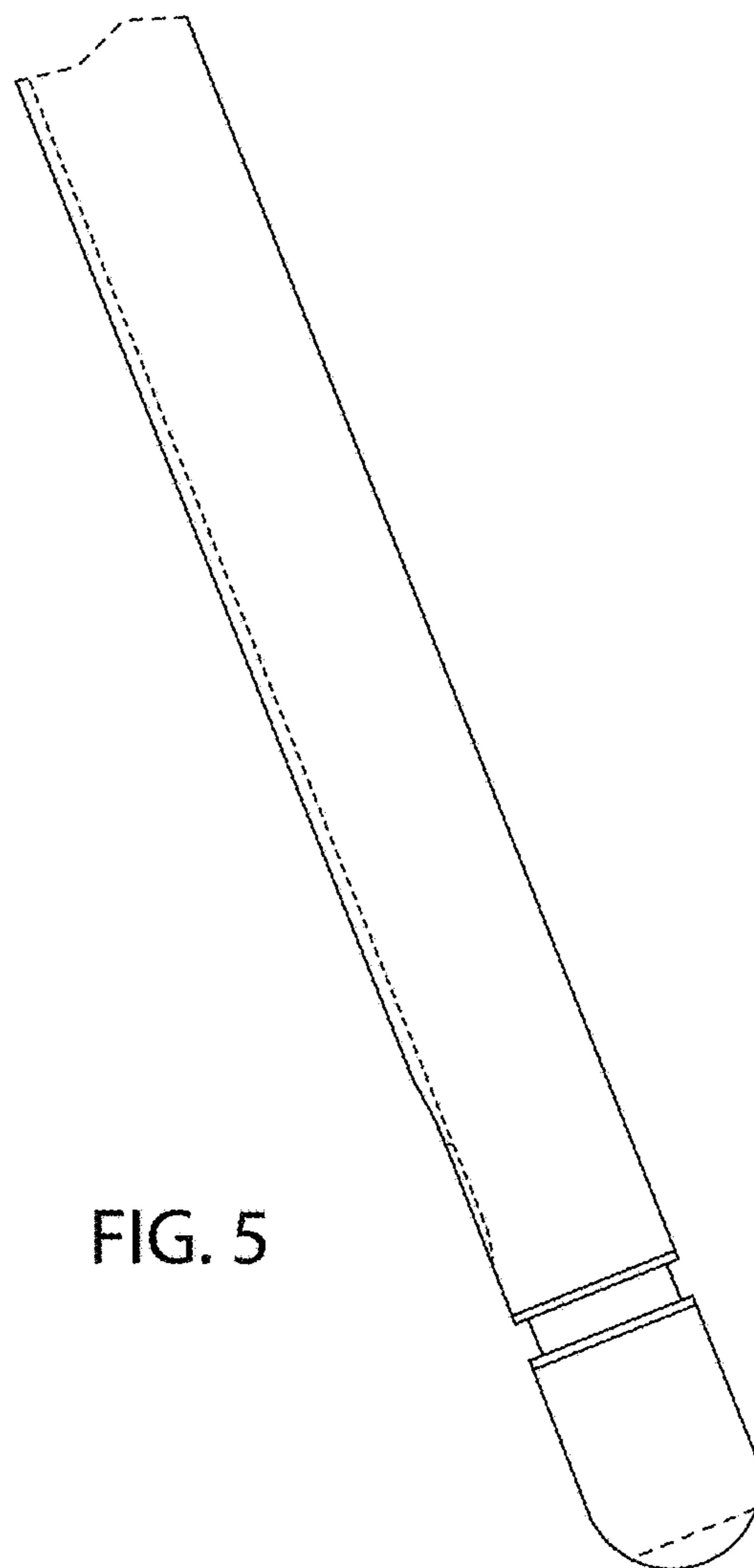


FIG. 5



FIG. 6

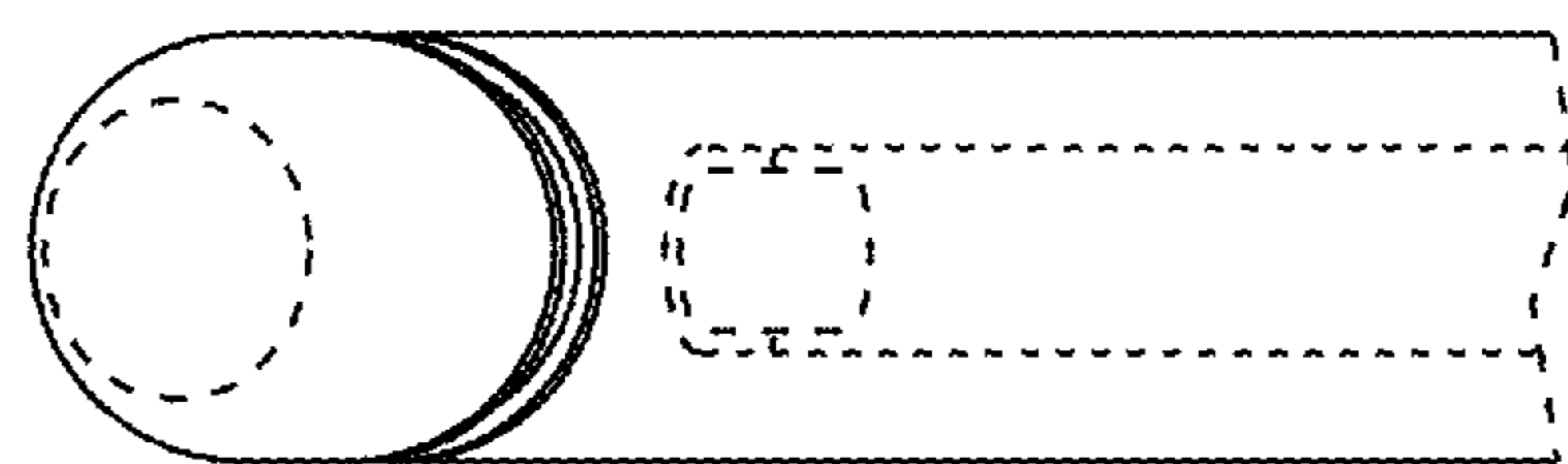


FIG. 7